

[54] TABLE

[76] Inventor: Cynthia Milling, 225 Central Park West Apt. 1117, New York, N.Y. 10024

[\*\*] Term: 14 Years

[21] Appl. No.: 587,473

[22] Filed: Mar. 8, 1984

[52] U.S. Cl. .... D6/486

[58] Field of Search ..... D6/335, 336, 337, 380, D6/384, 386, 388; 297/157, 140; 108/150

[56] References Cited

U.S. PATENT DOCUMENTS

- D. 52,558 10/1918 Buchenau .
- D. 211,796 7/1968 Conklin ..... D6/337
- D. 237,131 10/1975 Lee ..... D6/480
- D. 237,771 11/1975 Oropeza ..... D6/488 X

- D. 249,300 9/1978 Szabo et al. .
- D. 265,847 8/1982 Nielsen ..... D6/488 X
- D. 279,400 6/1985 Dunn, Sr. et al. .... D6/486 X
- 3,494,308 2/1970 Perrin .
- 3,822,078 7/1974 Spadolini ..... D6/337 X

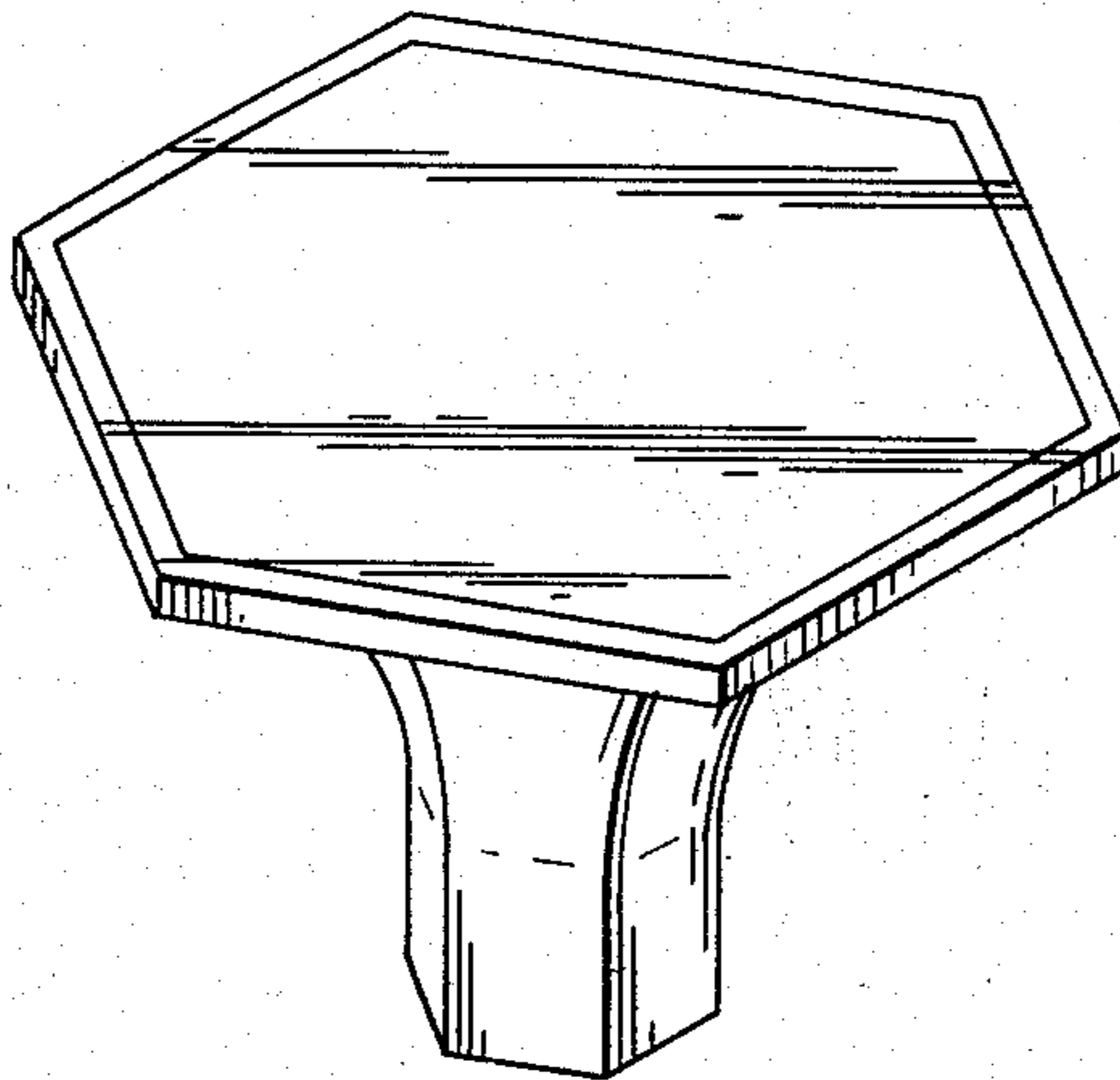
Primary Examiner—Bruce W. Dunkins  
Attorney, Agent, or Firm—Seidel, Gonda, Goldhammer & Abbott

[57] CLAIM

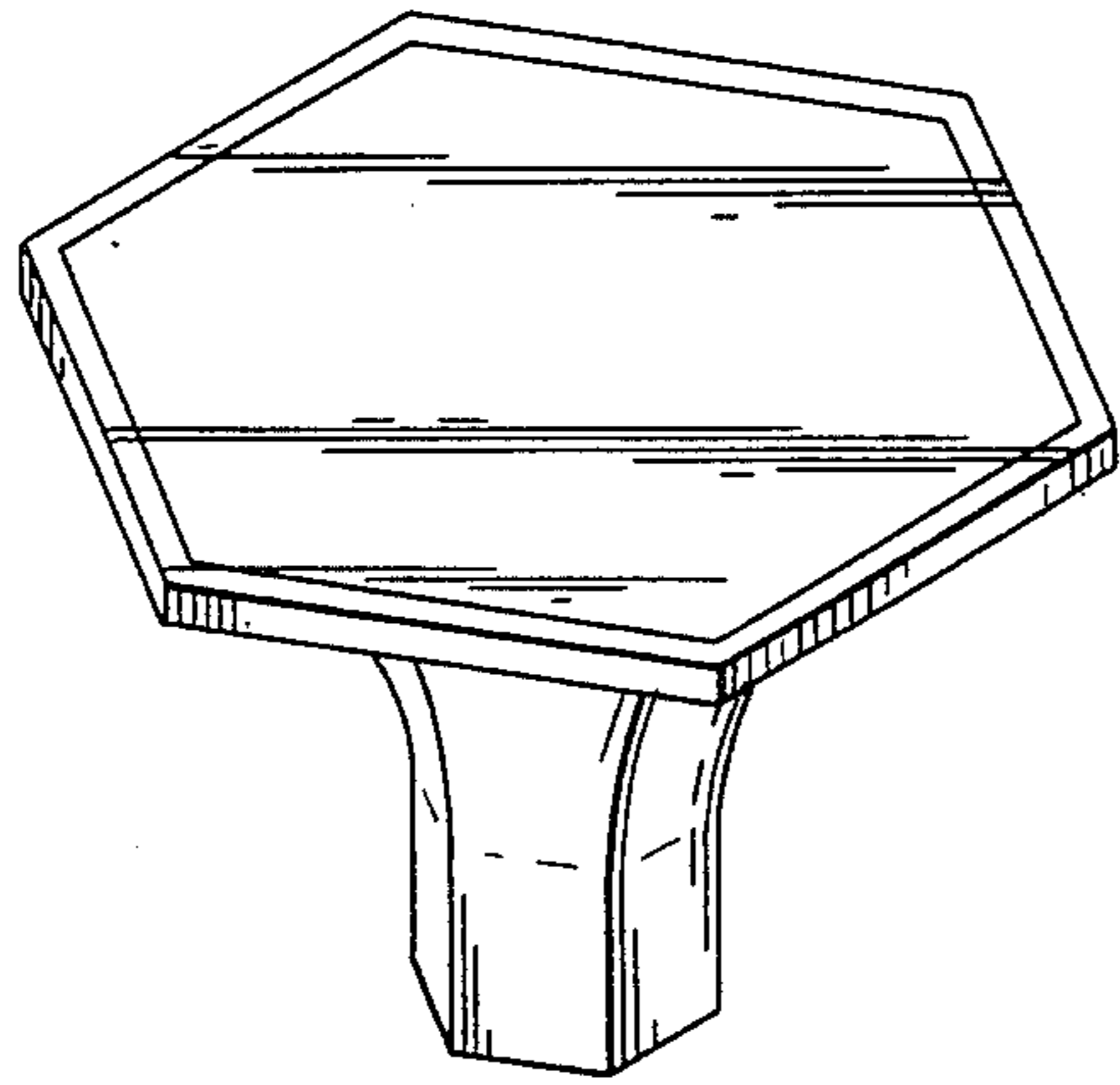
The ornamental design for a table, substantially as shown and described.

DESCRIPTION

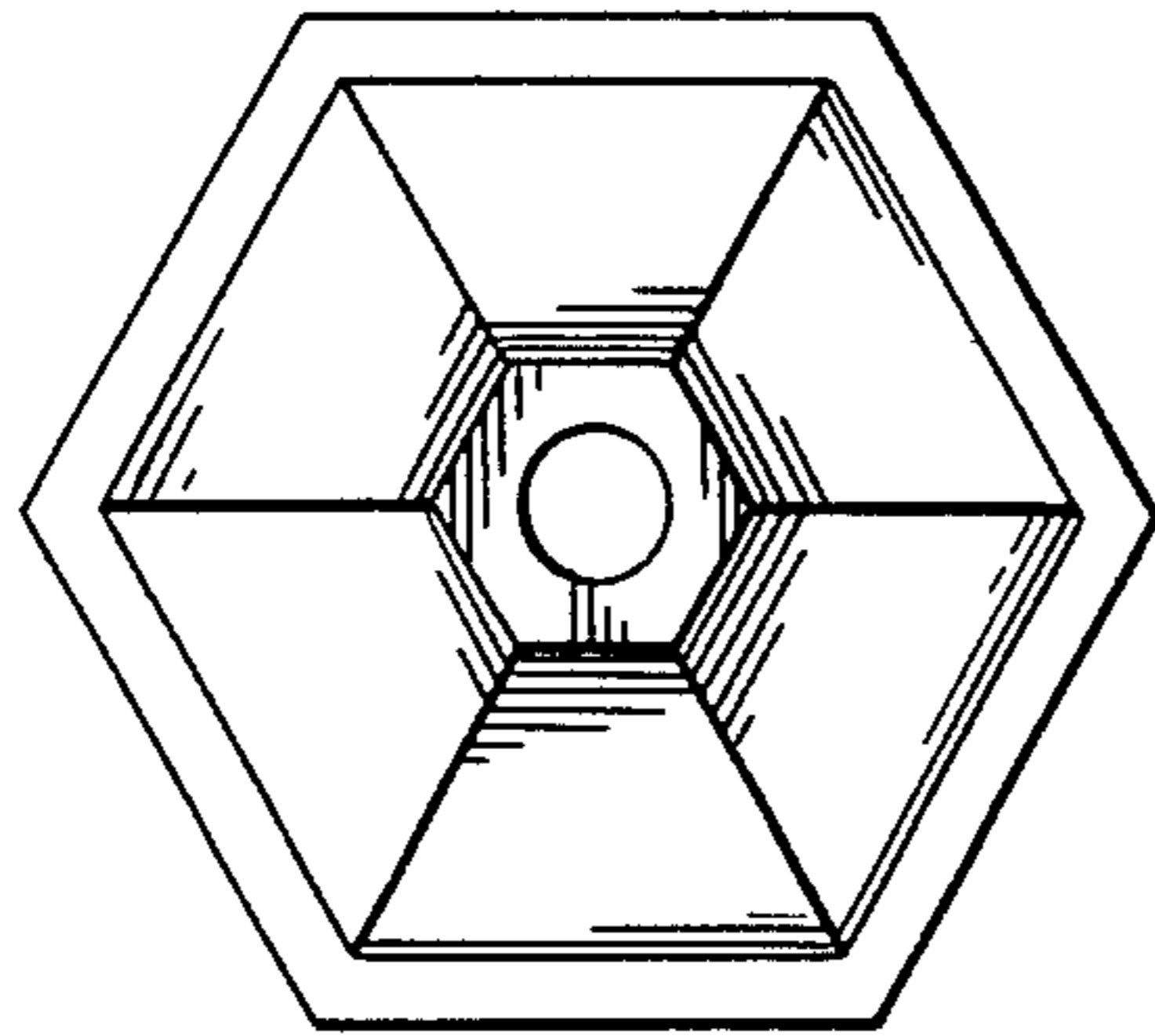
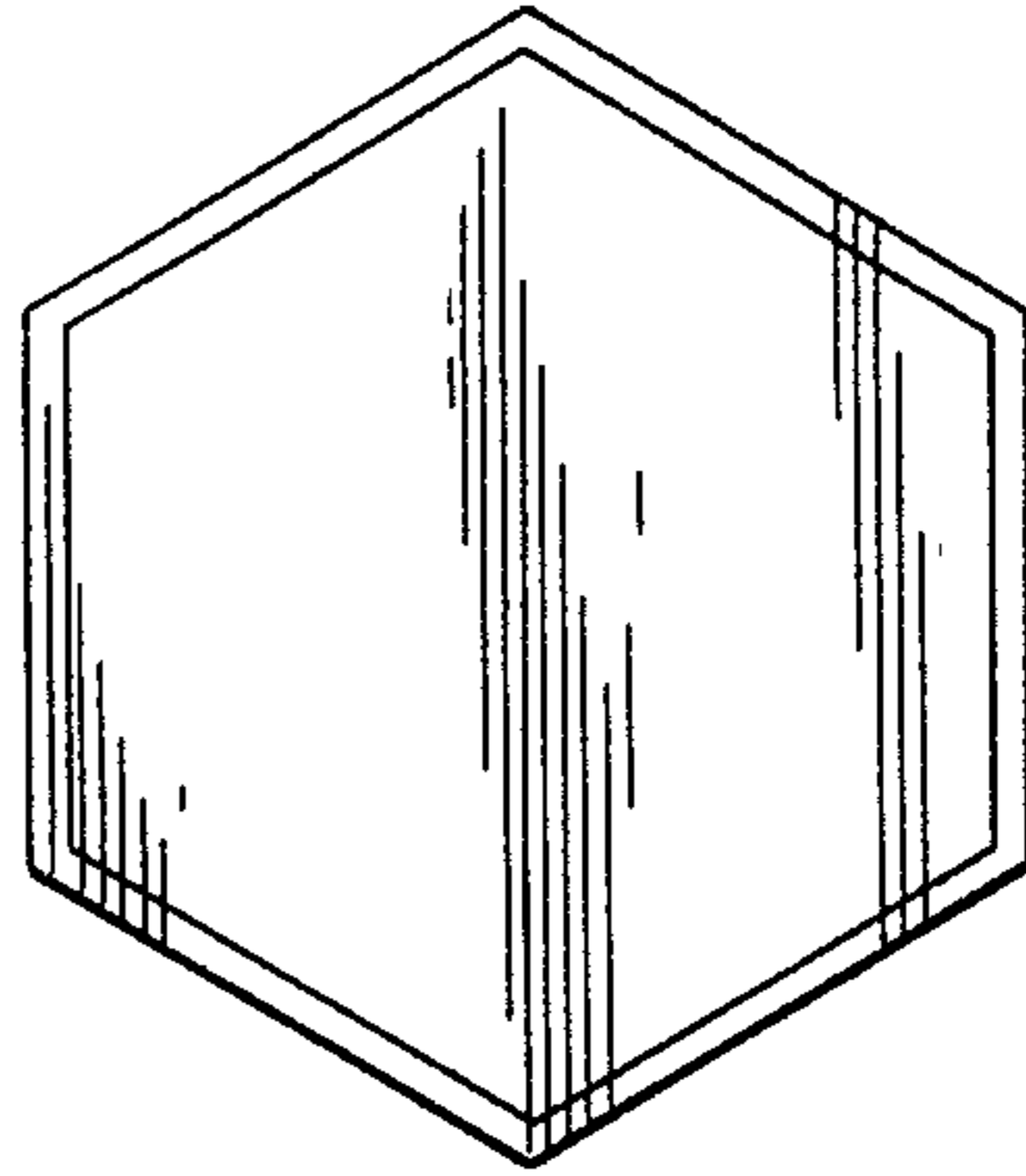
FIG. 1 is a perspective view of a table showing my design;  
FIG. 2 is a top plan view thereof;  
FIG. 3 is a bottom plan view thereof;  
FIG. 4 is a front elevational view thereof; and  
FIG. 5 is a side elevational view thereof.



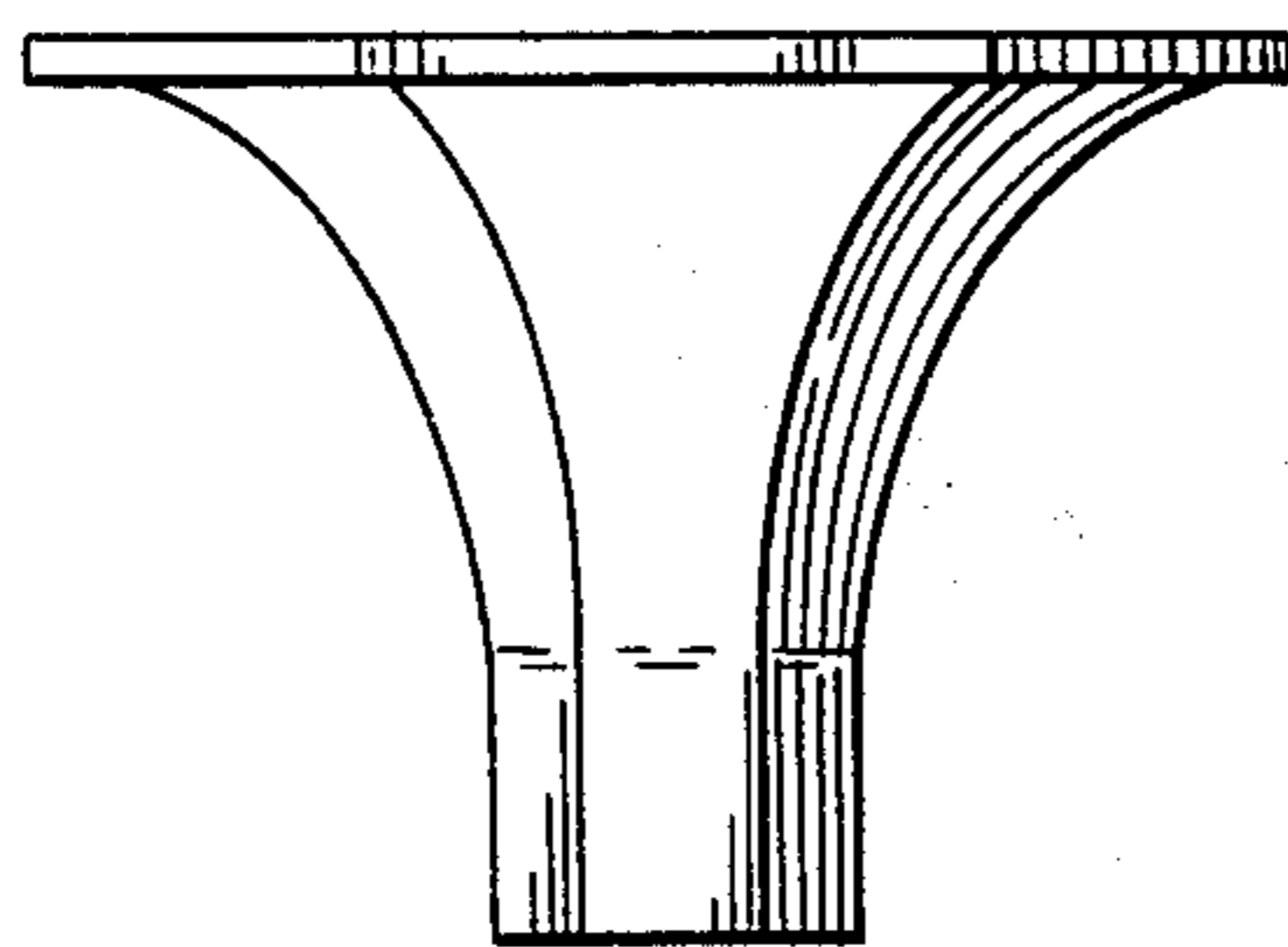
**FIG. 1**



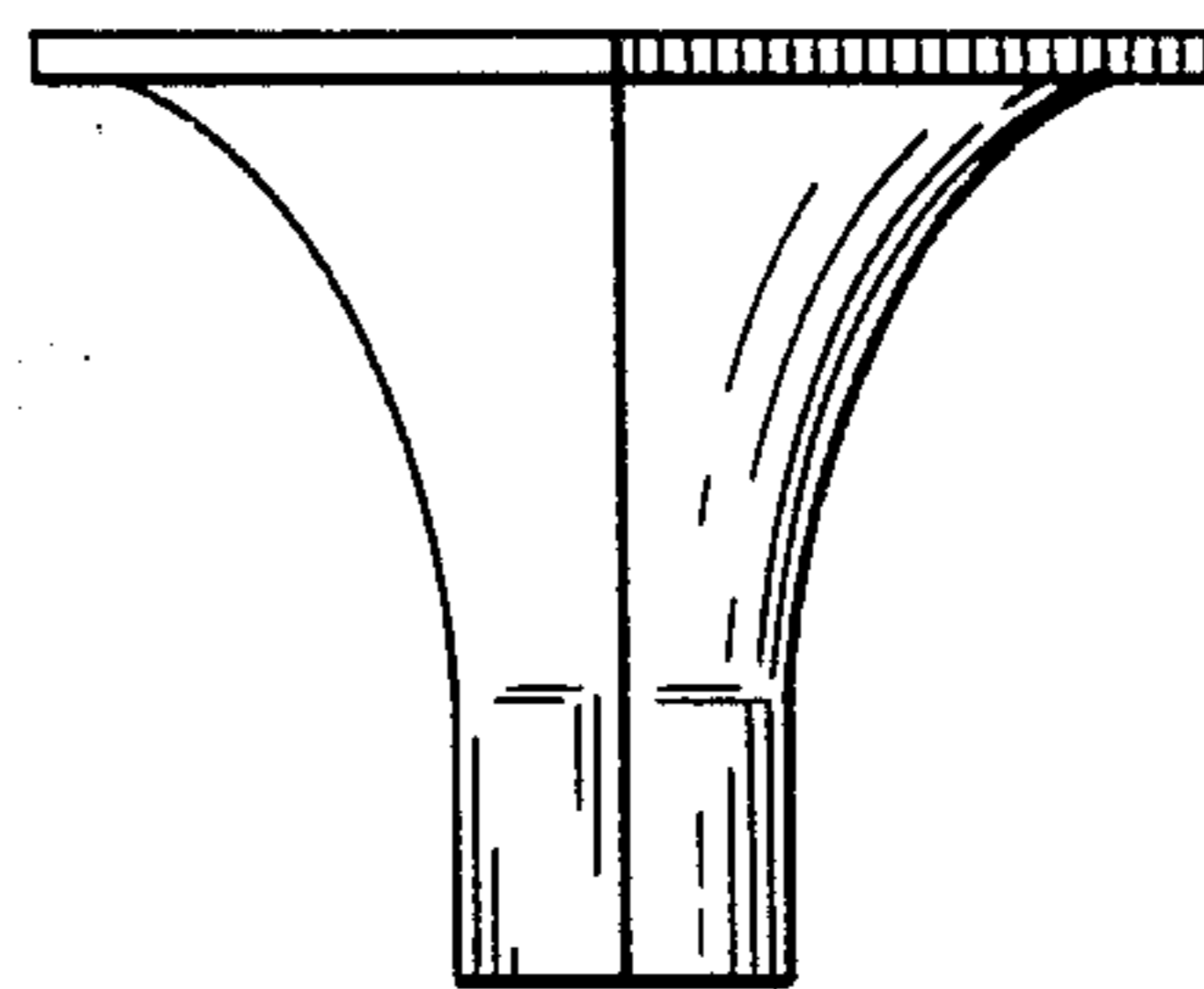
**FIG. 2**



**FIG. 3**



**FIG. 4**



**FIG. 5**