

[54] **MERCHANDISE DISPLAY STAND**

[75] **Inventor: David March, New York, N.Y.**

[73] **Assignee: Thomson Leeds Company Inc., New York, N.Y.**

[**] **Term: 14 Years**

[21] **Appl. No.: 606,528**

[22] **Filed: May 3, 1984**

[52] **U.S. Cl. D6/465; D6/458**

[58] **Field of Search D6/449, 455, 457, 458, D6/459, 460, 461, 462, 463, 464, 465, 473; 211/13, 58, 163**

[56] **References Cited**

U.S. PATENT DOCUMENTS

- D. 110,498 7/1938 Ritchie D6/473
- D. 221,814 9/1971 Leath D6/455

- D. 252,962 9/1979 Wilks D6/463
- 2,808,941 10/1957 Foster 211/163 X
- 3,243,047 3/1966 Witteborg 211/163 X

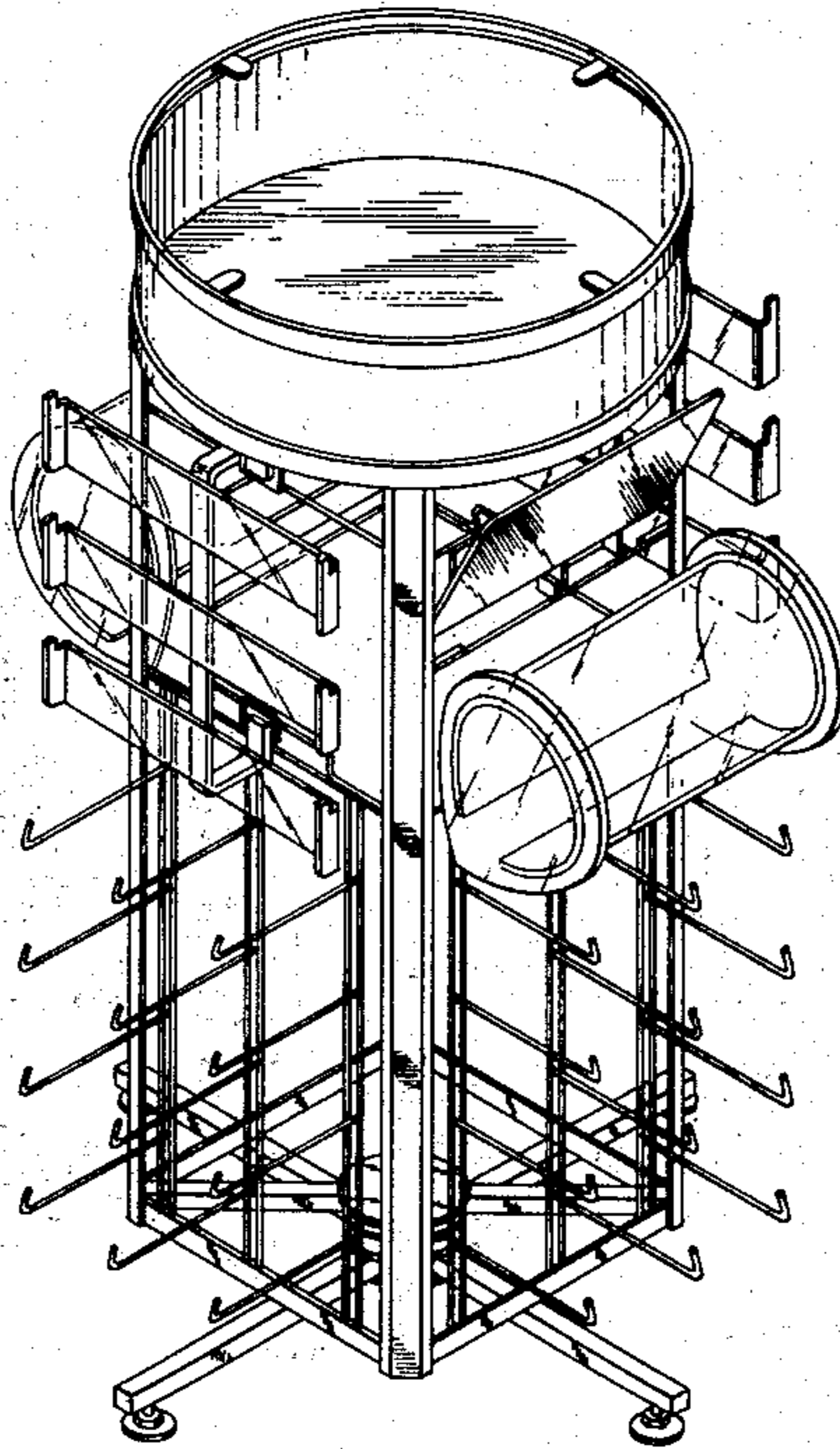
Primary Examiner—Carmen H. Vales
Attorney, Agent, or Firm—Howard C. Miskin

[57] **CLAIM**

The ornamental design for a merchandise display stand, as shown and described.

DESCRIPTION

FIG. 1 is a perspective view of a merchandise display stand showing my new design;
 FIG. 2 is a front elevational view, the rear being identical thereto;
 FIG. 3 is a side elevational view, the opposite side being identical thereto;
 FIG. 4 is a top plan view thereof; and
 FIG. 5 is a bottom plan view thereof.



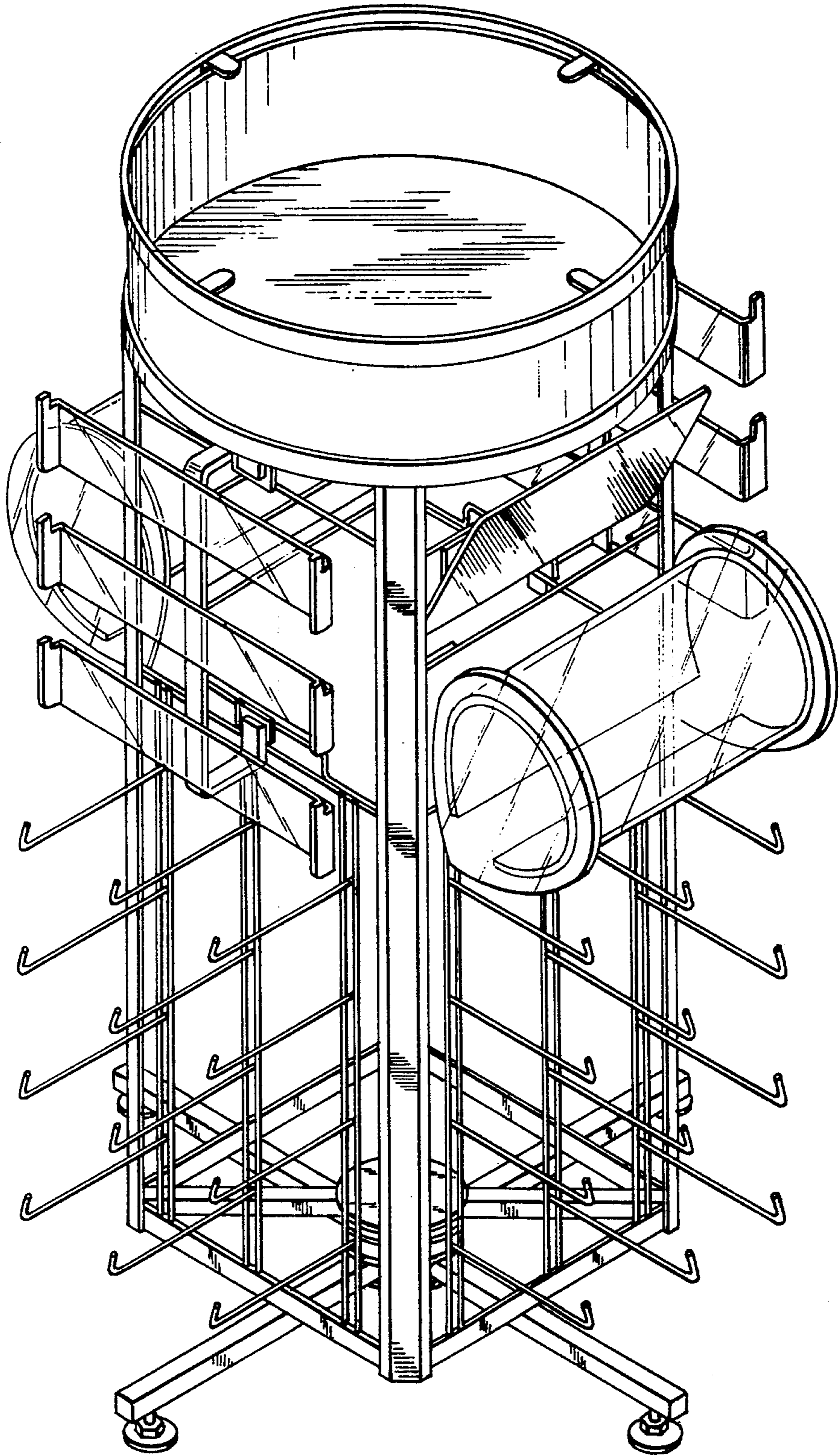


FIG. 1

FIG. 2

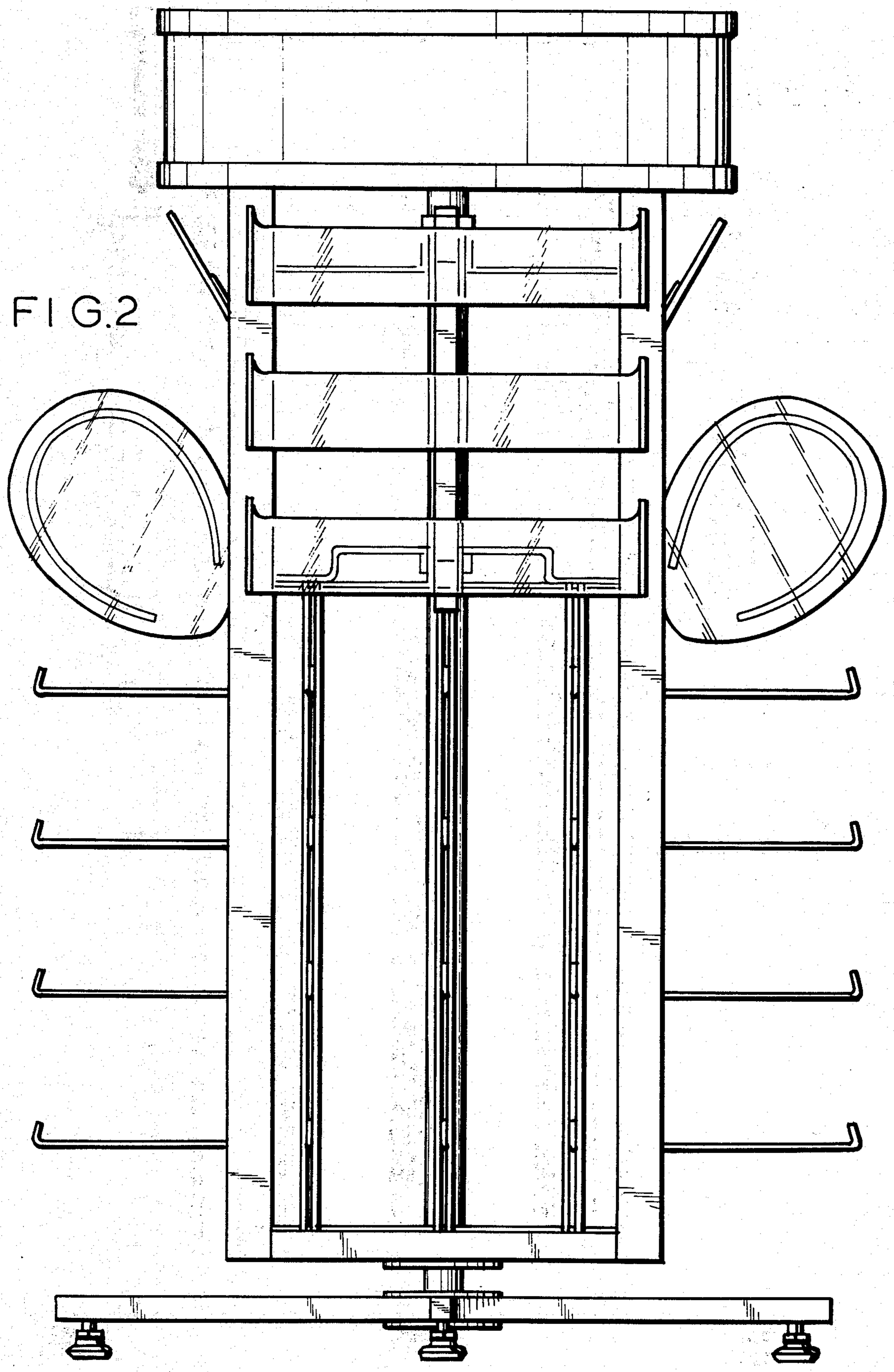
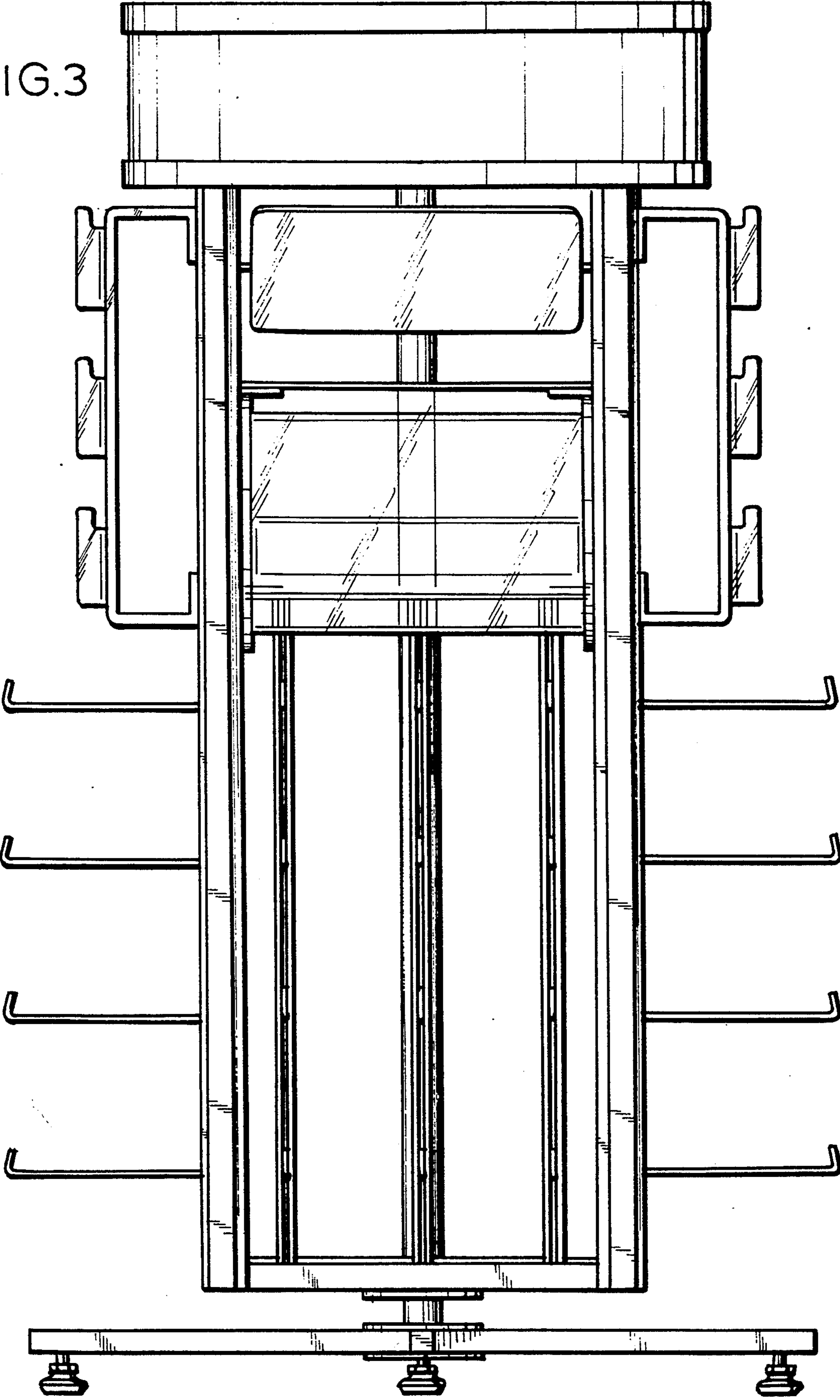


FIG. 3



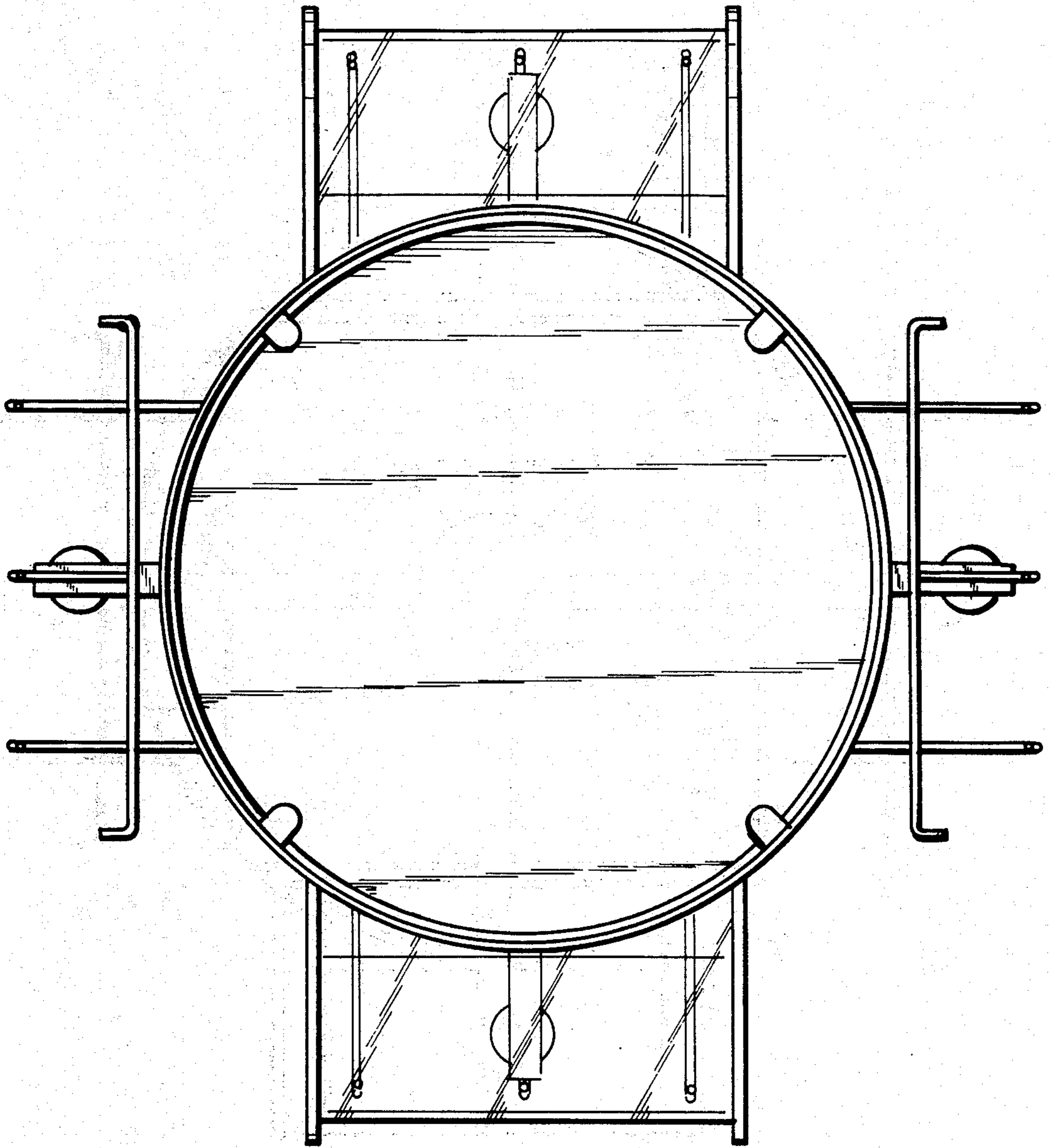


FIG. 4

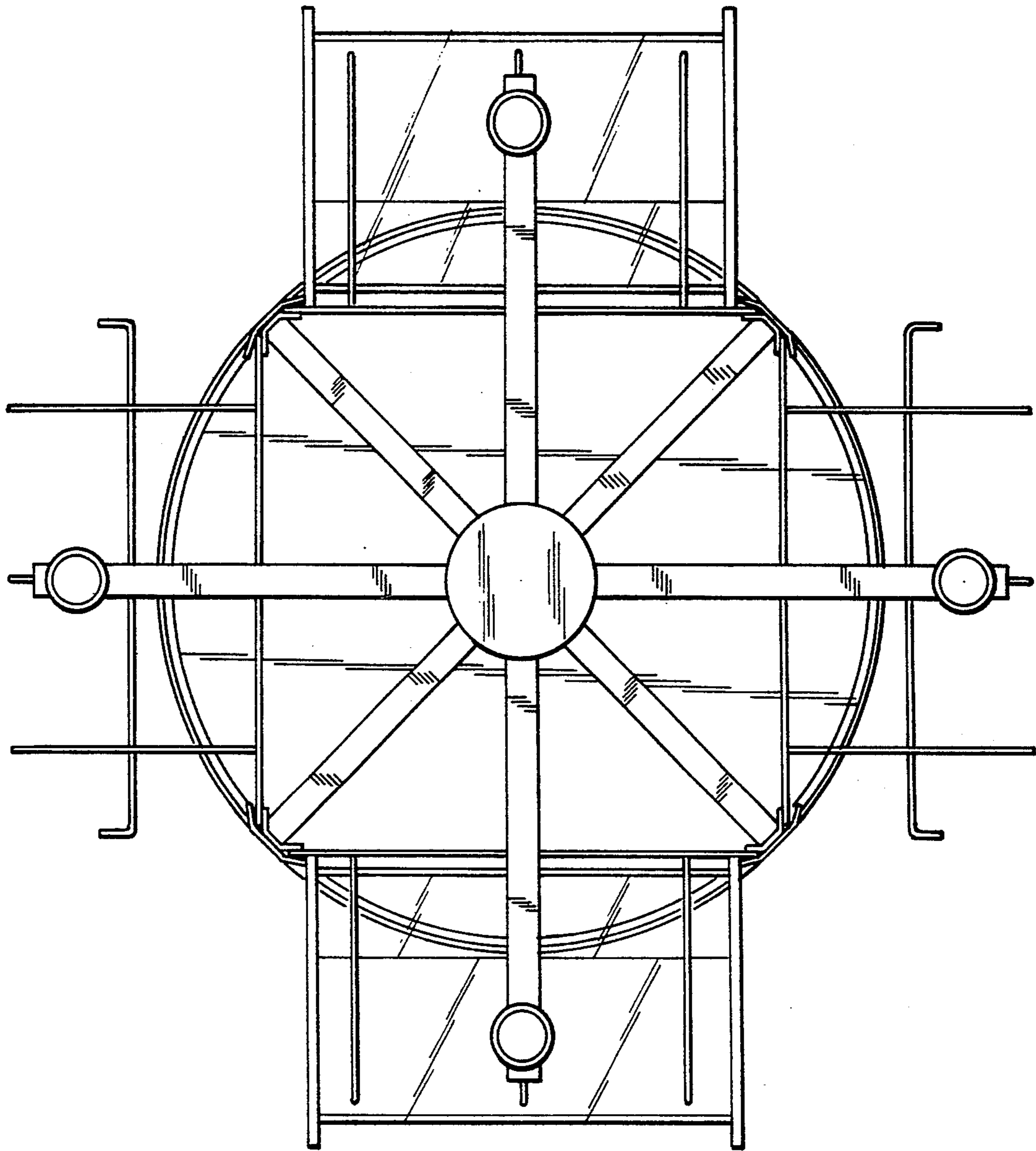


FIG. 5