

[54] **COMPUTER DISK STAND**

[75] **Inventor: Ronald A. Friedman, Corning, N.Y.**

[73] **Assignee: Frank Gaydorus, Syracuse, N.Y.**

[**] **Term: 14 Years**

[21] **Appl. No.: 573,195**

[22] **Filed: Jan. 23, 1984**

[52] **U.S. Cl. D3/35; D19/83; D19/90**

[58] **Field of Search D3/35; D19/75, 83, 90, D19/91; D6/407, 466, 457; 211/40; D9/456**

[56] **References Cited**

U.S. PATENT DOCUMENTS

D. 216,605	2/1970	Brindley	D6/407
D. 244,565	5/1977	Bettum	D3/35
D. 248,727	9/1977	Cournoyer	D3/35
1,420,004	6/1922	Weide	211/40
1,429,076	9/1922	Helsley	211/40

Primary Examiner—George P. Word

Attorney, Agent, or Firm—Charles S. McGuire

[57] **CLAIM**

The ornamental design for a computer disc stand, as shown and described.

DESCRIPTION

FIG. 1 is a perspective view of a computer disk stand showing my new design;

FIG. 2 is a top plan view thereof;

FIG. 3 is a right side elevational view thereof;

FIG. 4 is a bottom plan view thereof;

FIG. 5 is a front elevational view thereof;

FIG. 6 is a perspective view of a second embodiment of the computer disk stand;

FIG. 7 is a top plan view thereof;

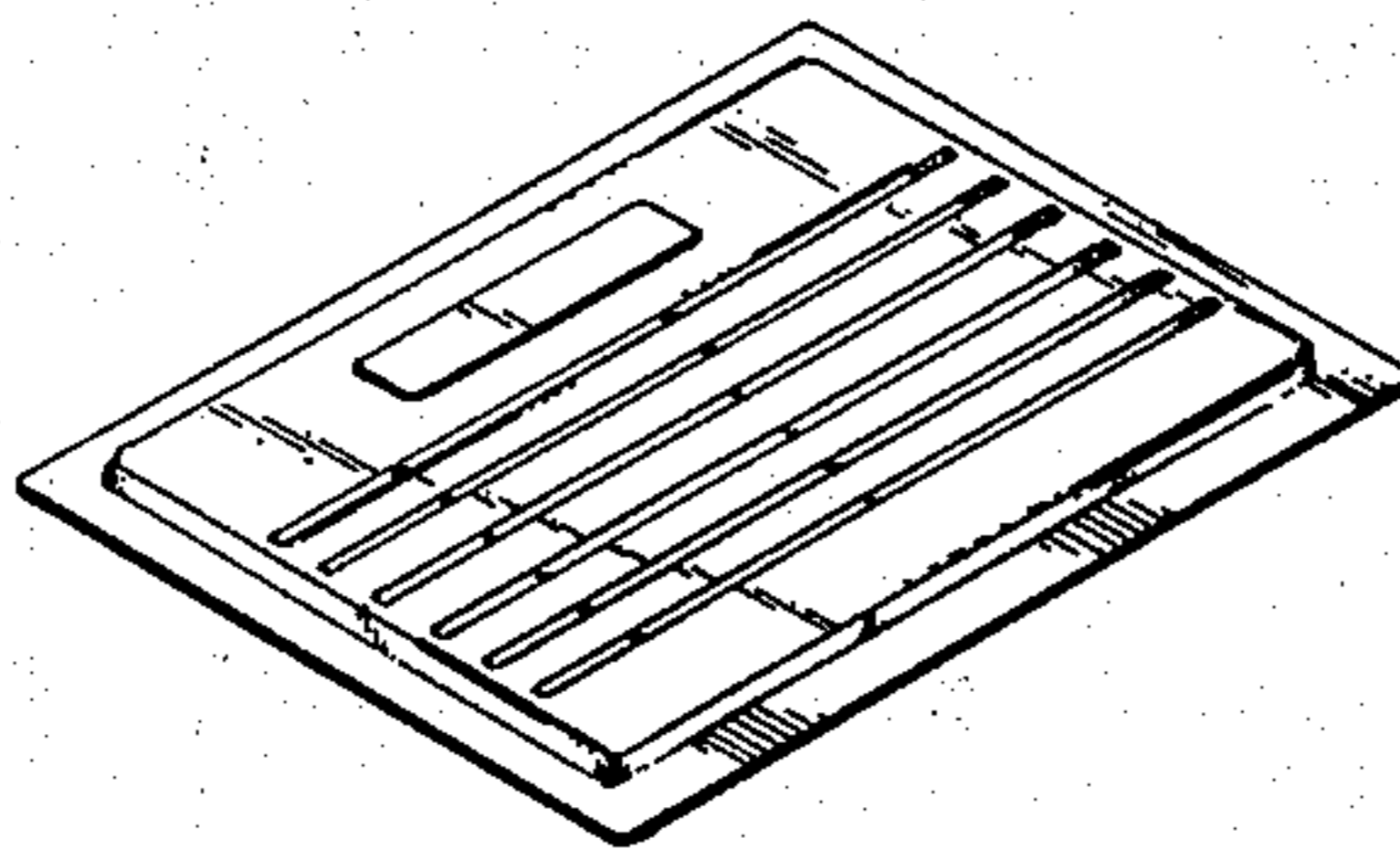
FIG. 8 is a right side elevational view thereof;

FIG. 9 is a bottom plan view thereof;

FIG. 10 is a front elevational view thereof;

FIG. 11 is a cross-sectional view taken along line 11—11 of FIG. 4; and

FIG. 12 is a cross-sectional view taken along line 12—12 of FIG. 9.



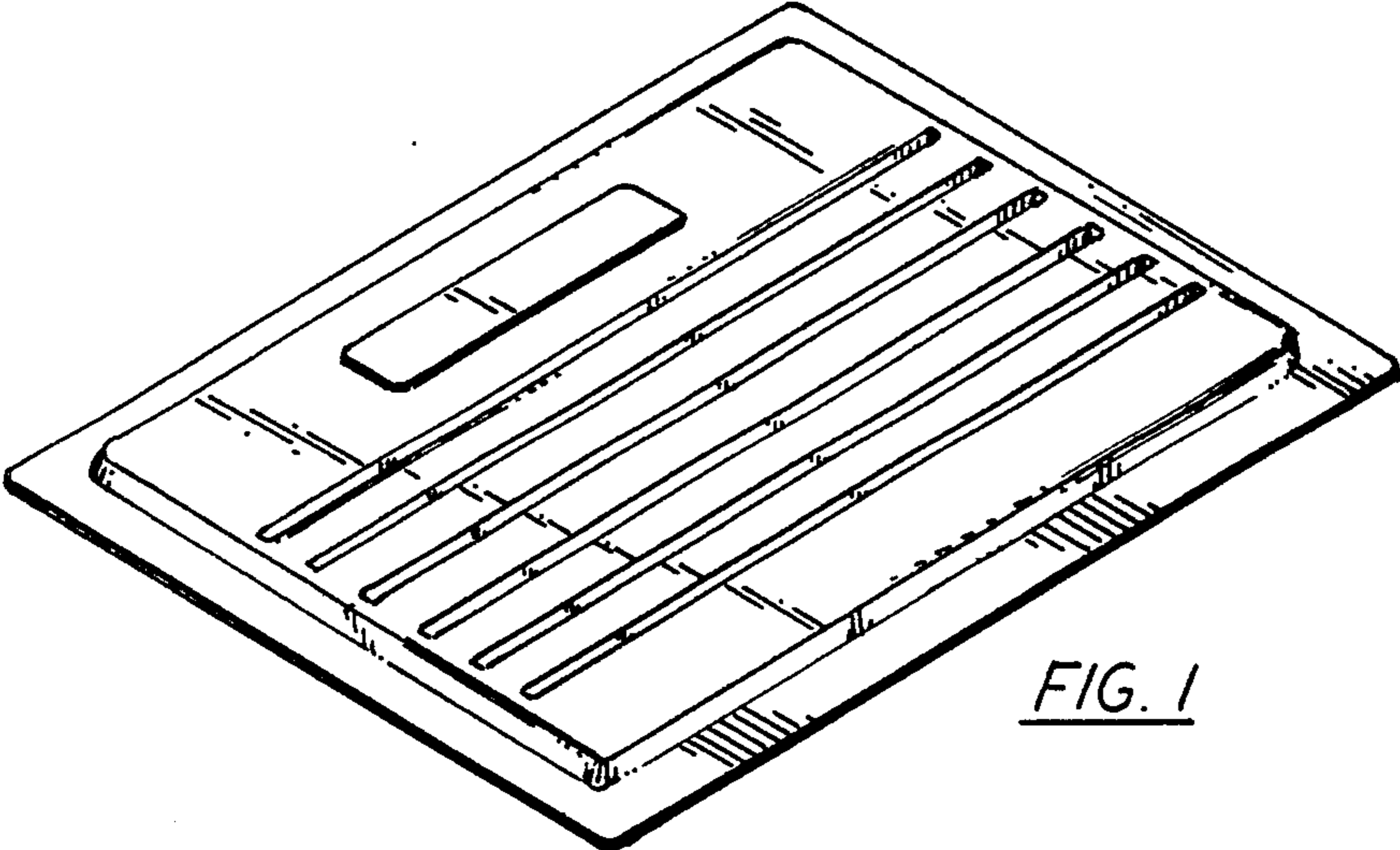


FIG. 1

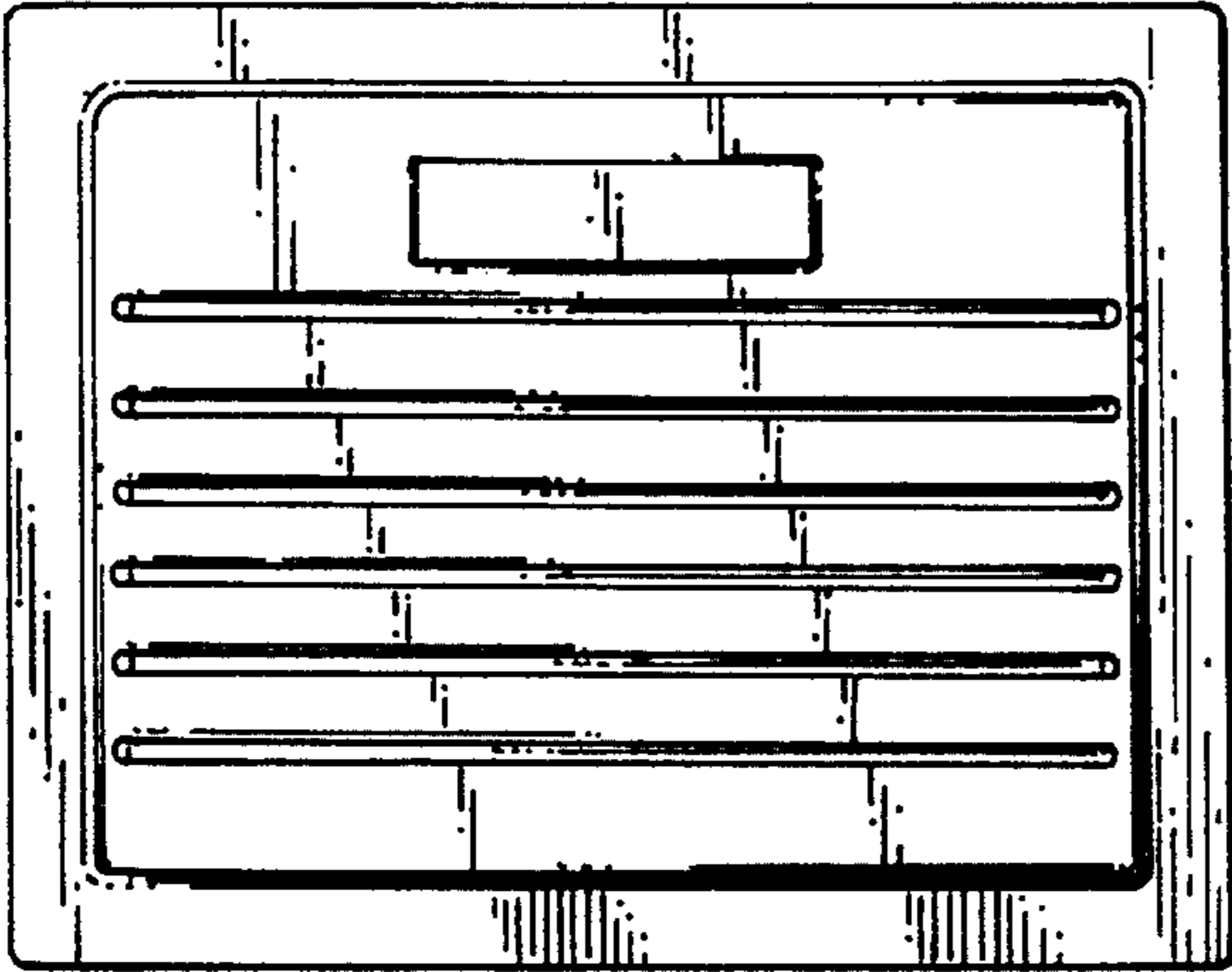


FIG. 2



FIG. 3

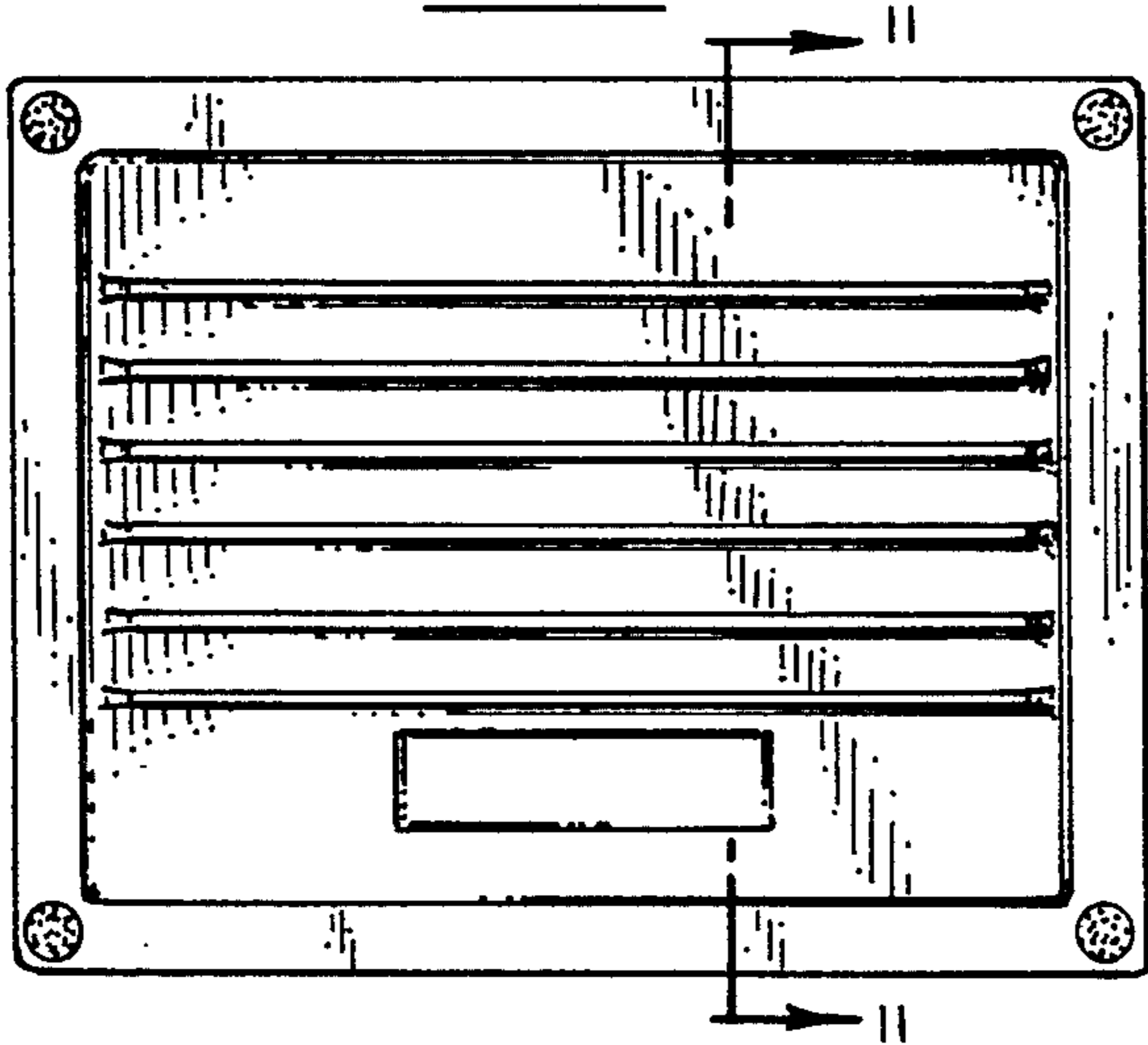


FIG. 4

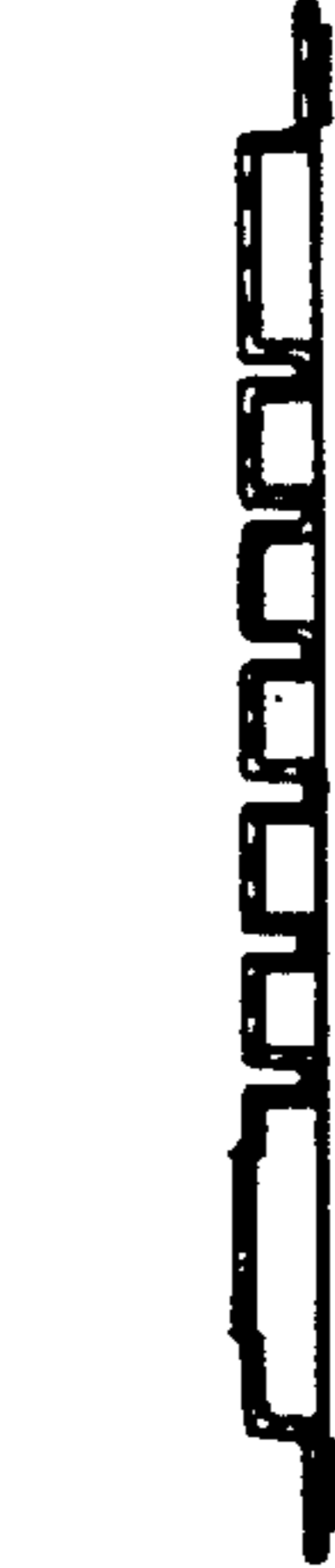


FIG. II

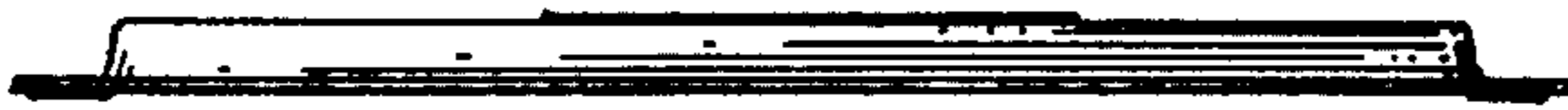


FIG. 5

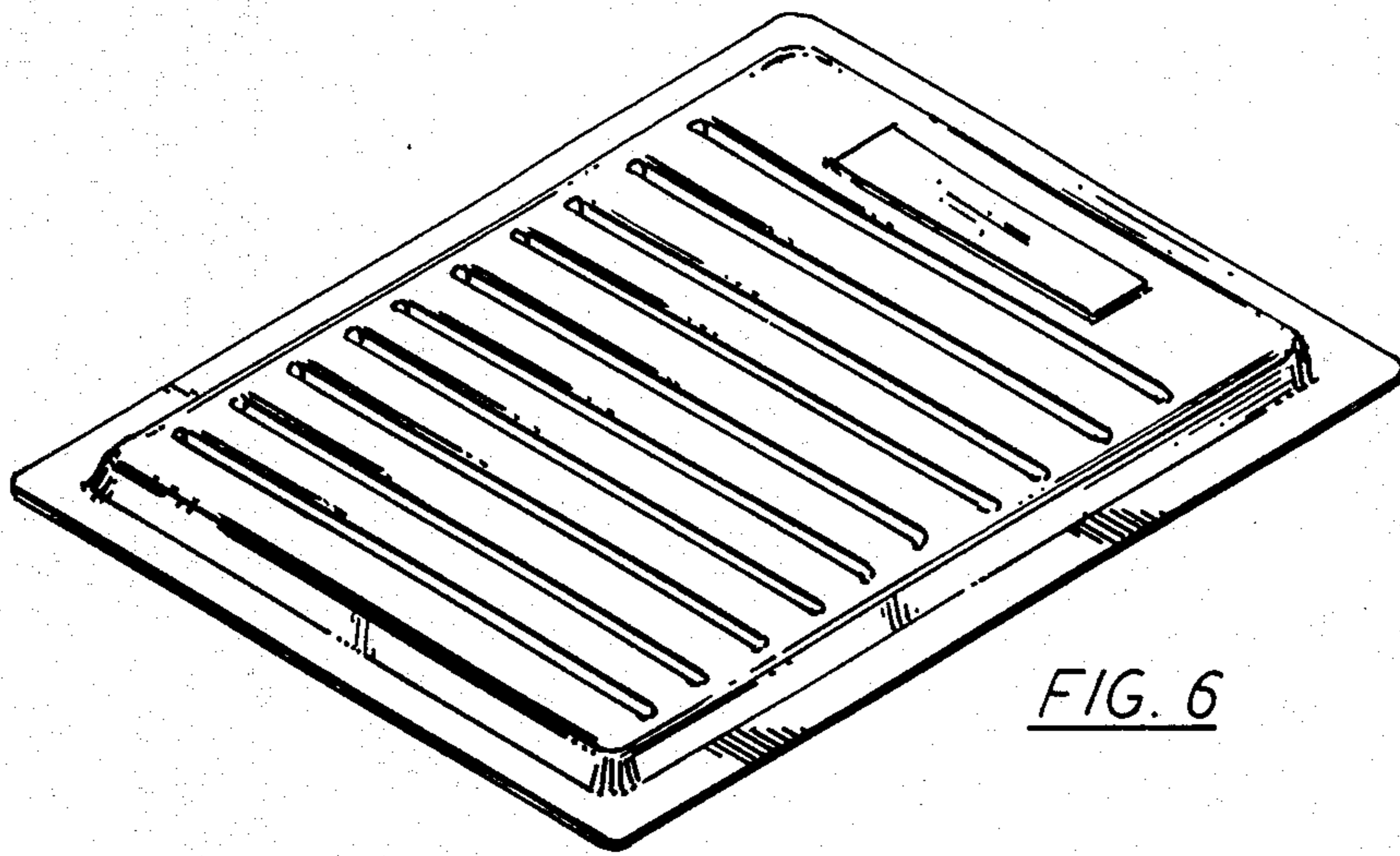


FIG. 6

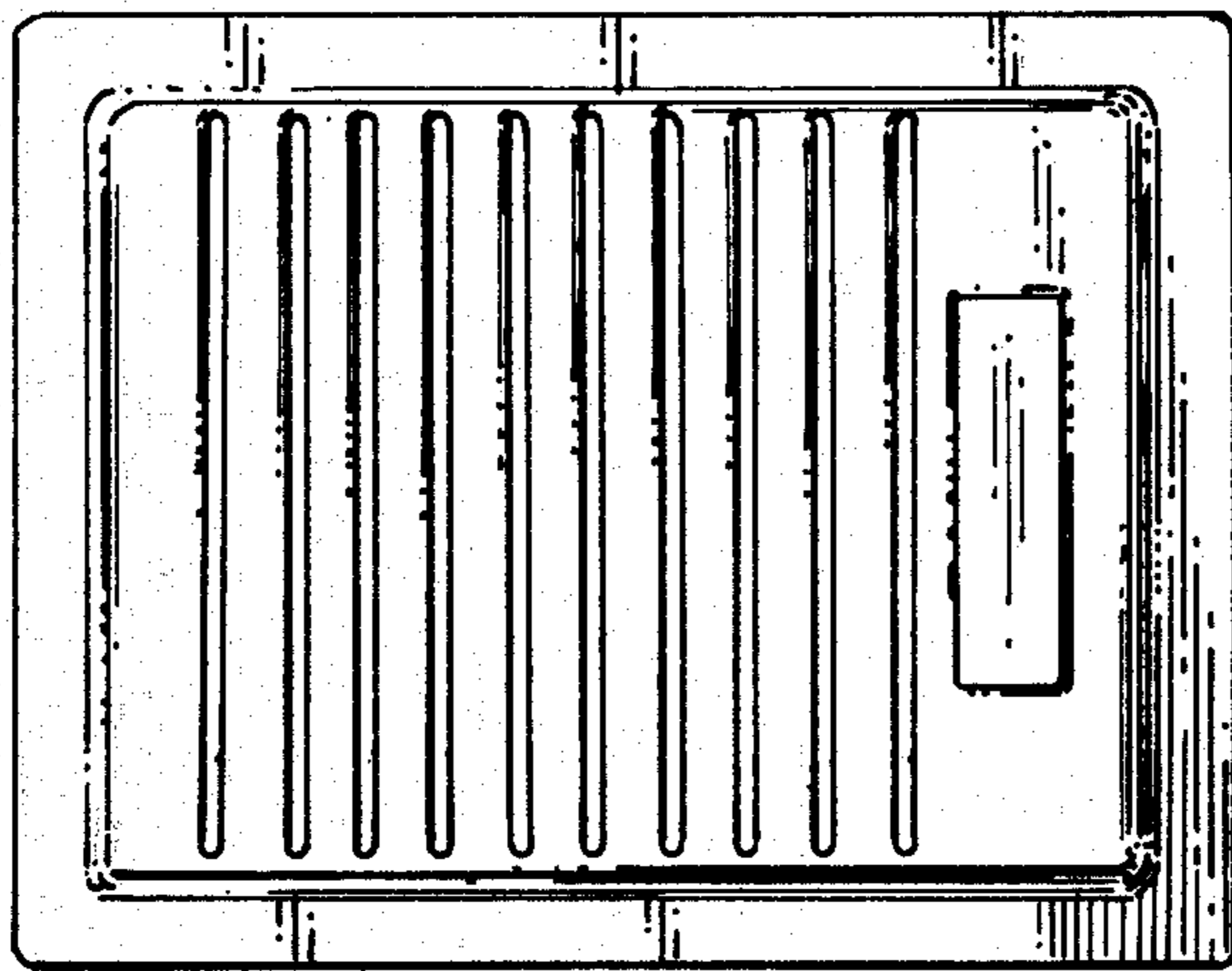


FIG. 7



FIG. 8

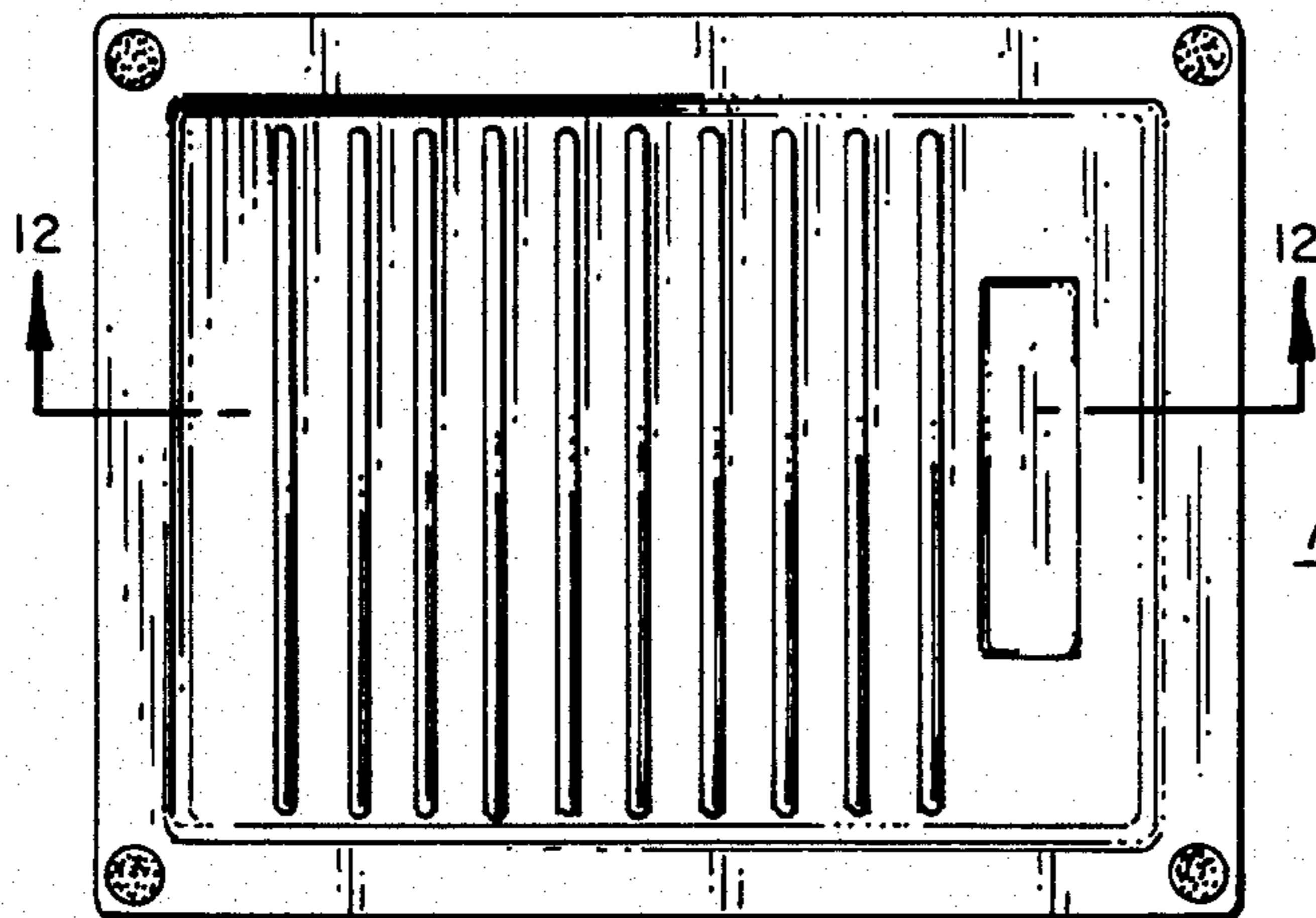


FIG. 9

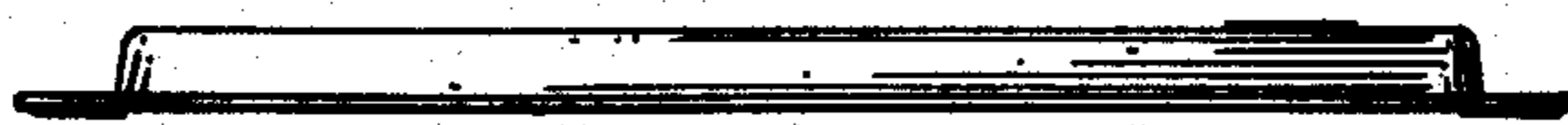


FIG. 10



FIG. 12