

[54] **STEAM IRON**

[75] **Inventors: Shinri Ogawa; Yutaka Tanii, both of Tottori, Japan**

[73] **Assignee: Sanyo Electric Co., Ltd., Japan**

[\*\*] **Term: 14 Years**

[21] **Appl. No.: 605,761**

[22] **Filed: May 1, 1984**

[30] **Foreign Application Priority Data**

Nov. 1, 1983 [JP] Japan ..... 58-47743

[52] **U.S. Cl. .... D32/70**

[58] **Field of Search ..... D32/68-72; 38/74, 69, 75, 77.1-77.9, 79, 81, 88-92, 95; 219/245-259, 271-276**

[56] **References Cited**

**U.S. PATENT DOCUMENTS**

D. 146,433	3/1947	Polivka et al. ....	D32/72
D. 165,757	1/1952	Ireland .....	D32/70
D. 214,585	7/1969	Benjamin .	
D. 216,153	11/1969	Tsunoda .....	D32/70
D. 219,751	1/1971	Osrow .	
D. 222,502	10/1971	Madl et al. .	
D. 240,997	8/1976	Julkenbeck .....	D32/70
D. 268,216	3/1983	Levin .....	D32/70
D. 269,133	5/1983	Ernest et al. ....	D32/70
D. 269,213	5/1983	Martin .....	D32/70
D. 275,042	8/1984	Stowell et al. ....	D32/70
D. 276,473	11/1984	Ogawa et al. ....	D32/70
D. 277,327	1/1985	Ernest .....	D32/70
D. 278,752	5/1985	Shalvoy et al. ....	D32/70
2,080,175	5/1937	Kuno .....	38/77.3
2,180,523	11/1939	Horton .....	38/77.1

2,763,075	9/1956	Vance .....	38/77.4 X
2,786,287	3/1957	Swann .....	38/77.4
2,812,598	11/1957	Wood .....	38/77.3
3,160,969	12/1964	Ensley .....	38/77.3
3,229,392	1/1966	Camilleri .....	38/90
3,245,160	4/1966	Knapp .....	38/77.3
3,672,080	6/1972	Murphy et al. ....	38/90
3,685,182	8/1972	Davidson et al. ....	38/77.3

**OTHER PUBLICATIONS**

Sanyo Portable Travel Iron Brochure-Jul. 1981.  
Hong Kong Enterprise Catalog 9/83-p. 194-Indicator Iron.

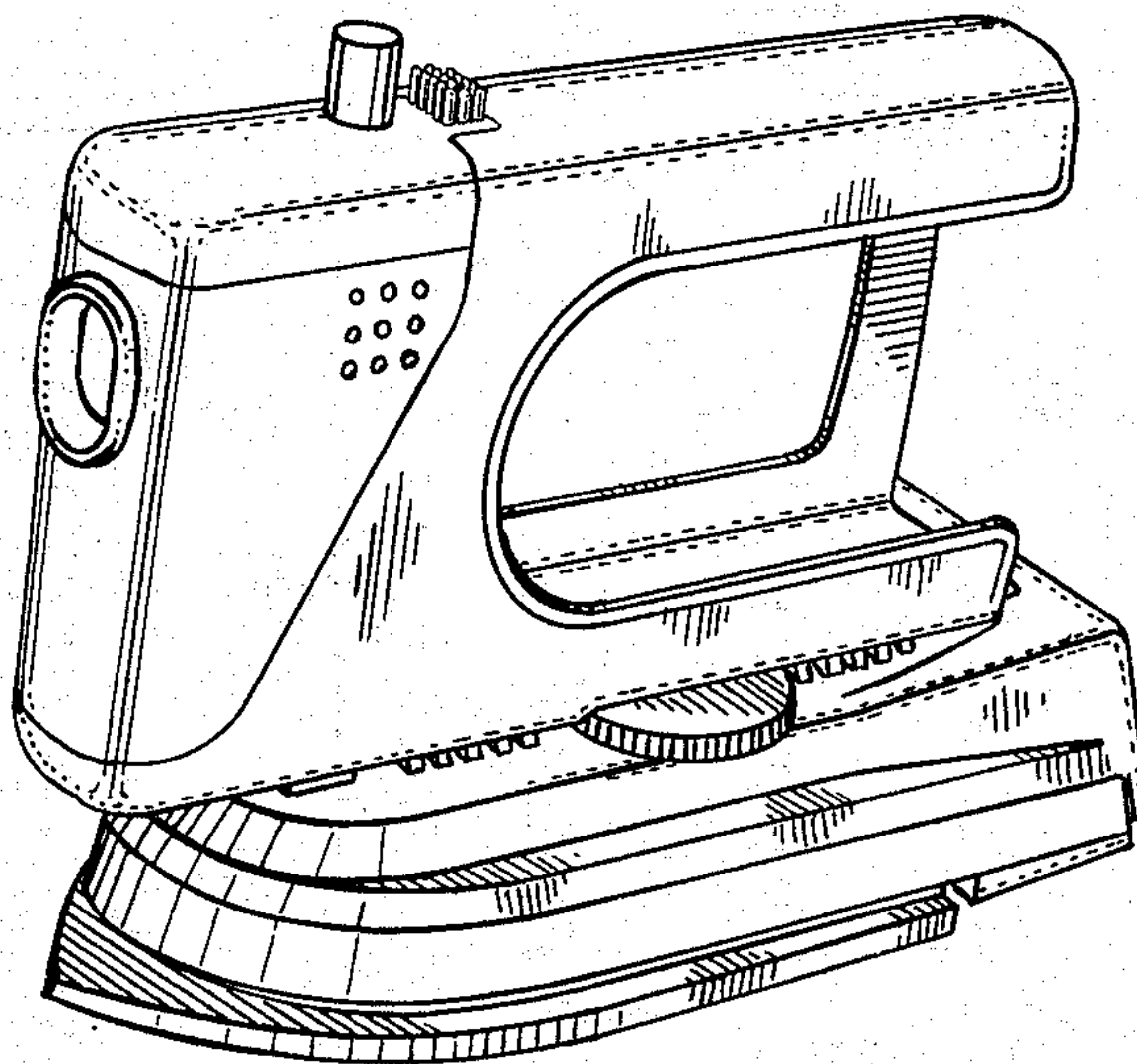
*Primary Examiner*—Catherine E. Kemper  
*Attorney, Agent, or Firm*—Darby & Darby

[57] **CLAIM**

The ornamental design for a steam iron, as shown.

**DESCRIPTION**

FIG. 1 is a perspective view of a steam iron showing our new design;  
FIG. 2 is a right side view thereof;  
FIG. 3 is a left side view thereof;  
FIG. 4 is a bottom view thereof;  
FIG. 5 is a plan view thereof;  
FIG. 6 is a front view thereof;  
FIG. 7 is a rear view thereof;  
FIG. 8 is a perspective view of our new design shown in a stored condition;  
FIG. 9 is a plan view thereof;  
FIG. 10 is a right side view thereof;  
FIG. 11 is a bottom view thereof;  
FIG. 12 is a left side view thereof;  
FIG. 13 is a rear view thereof; and  
FIG. 14 is a front view.



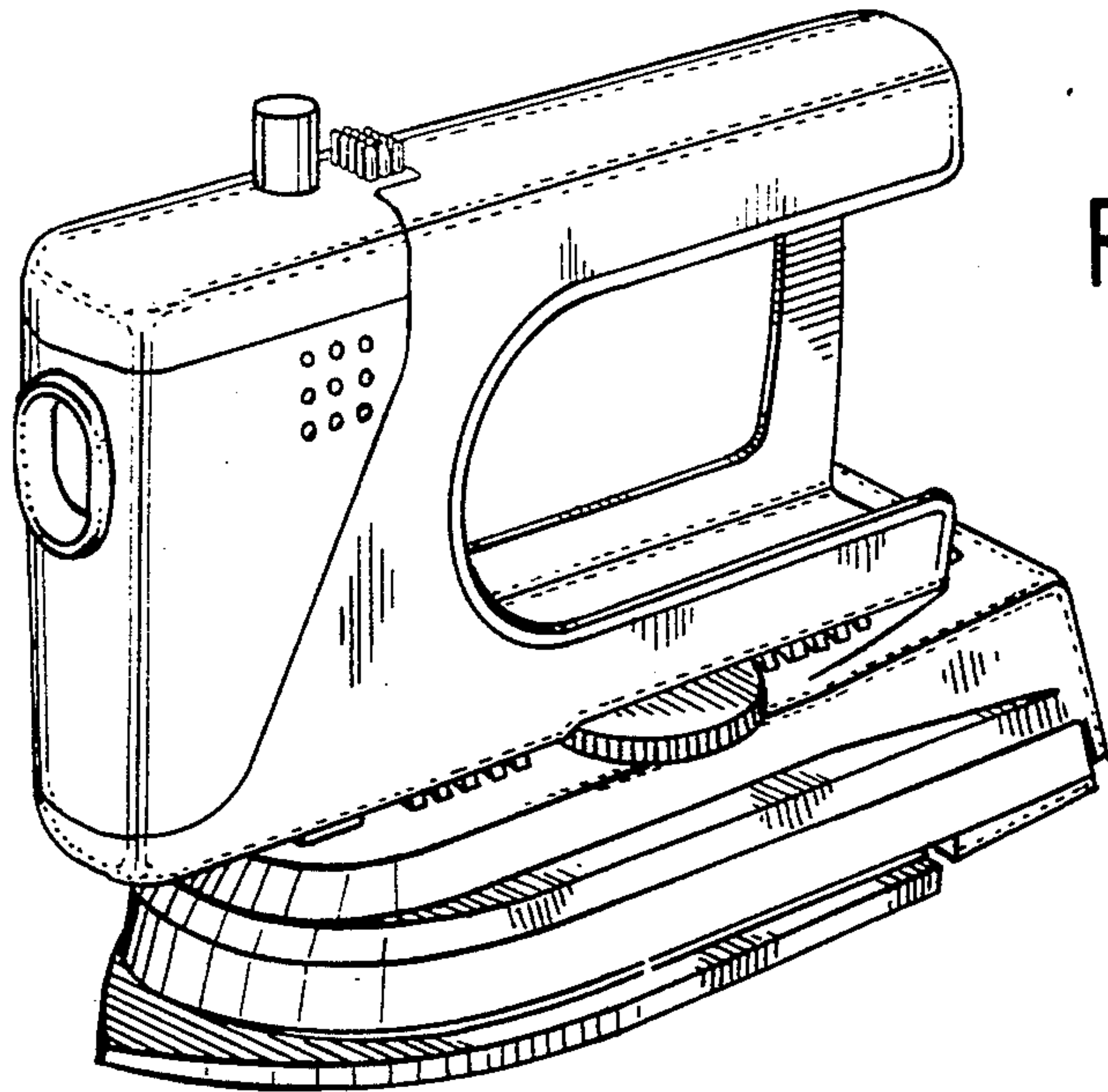


FIG. 1

FIG. 2

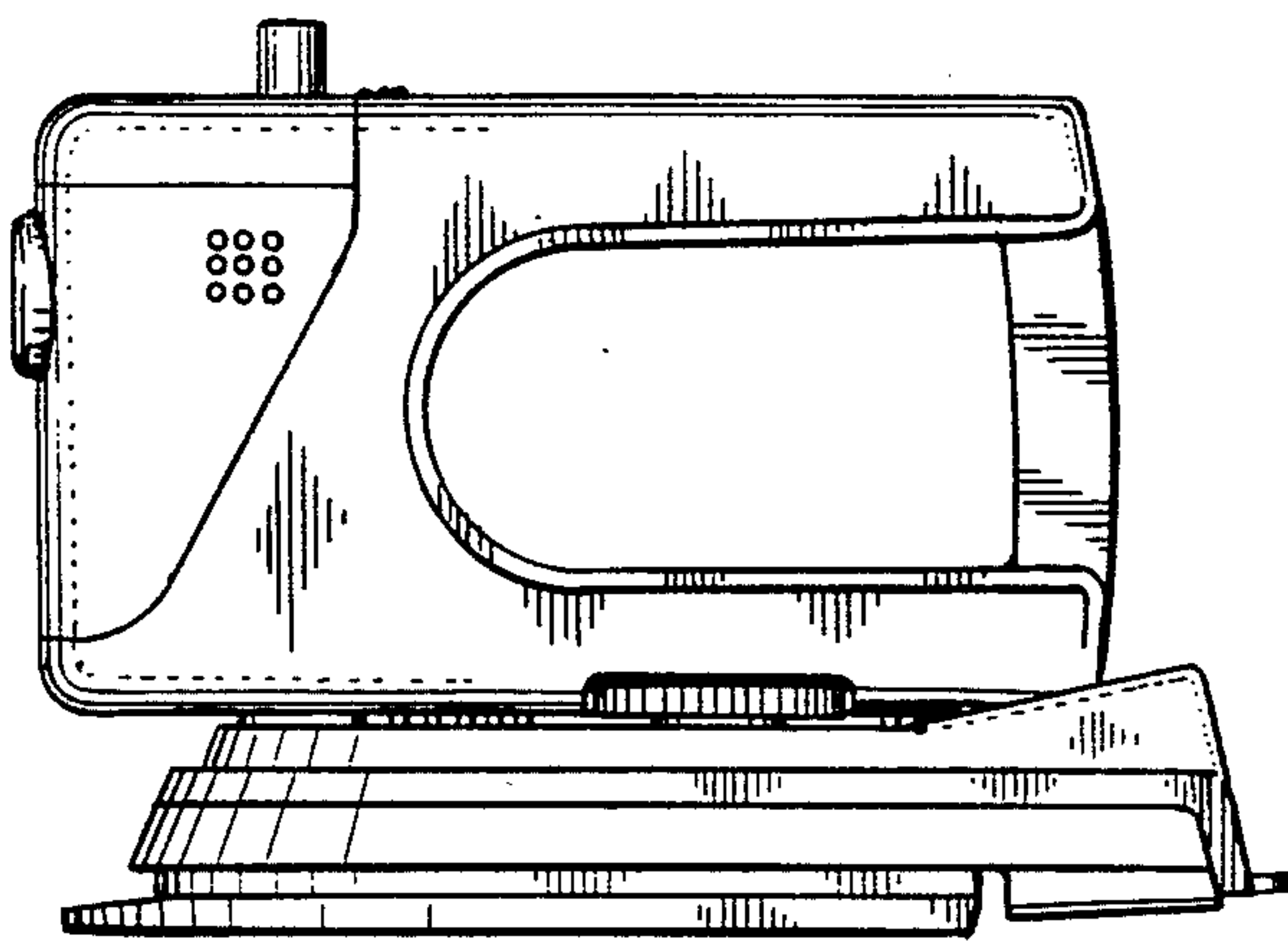


FIG. 3

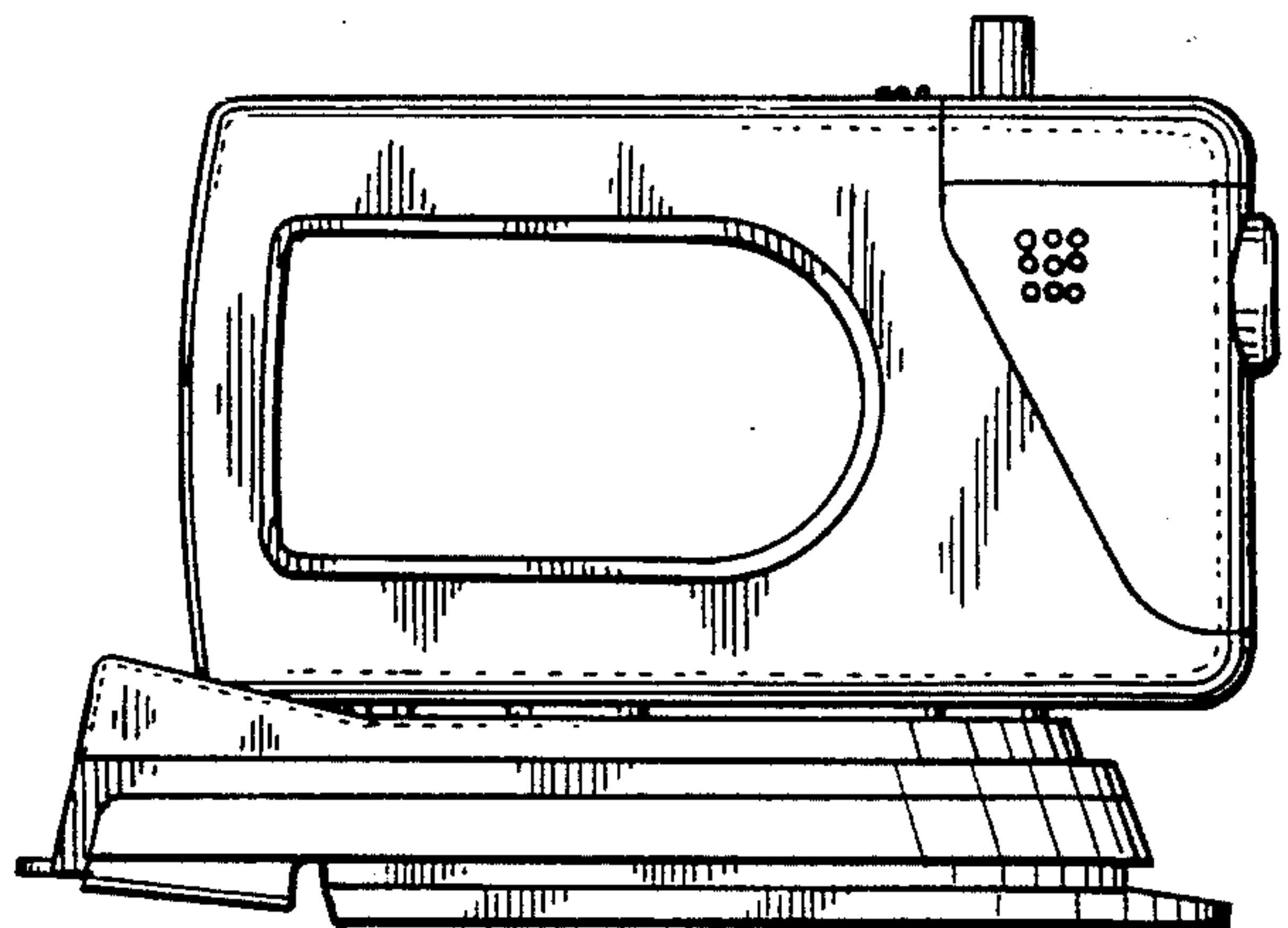


FIG. 4

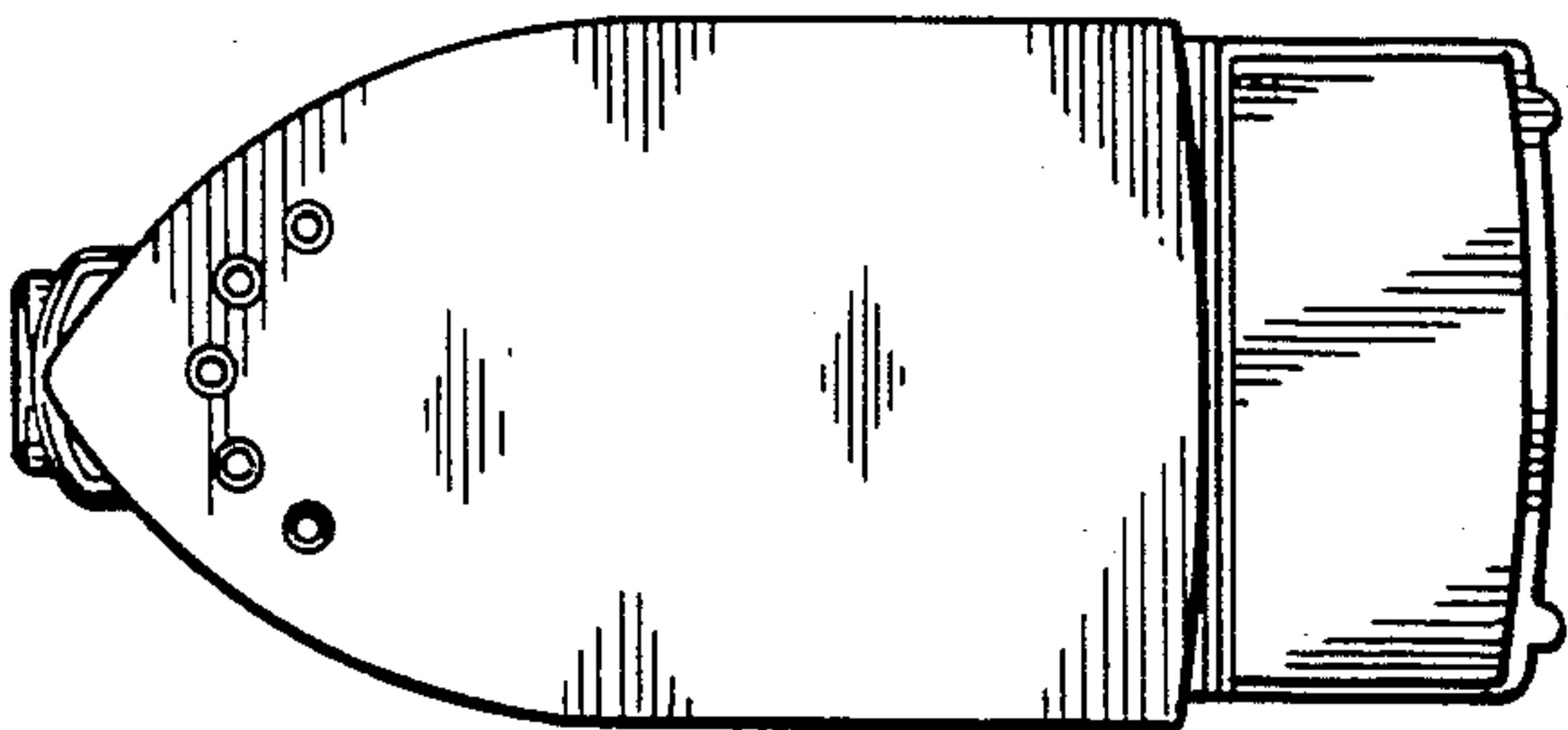


FIG. 5

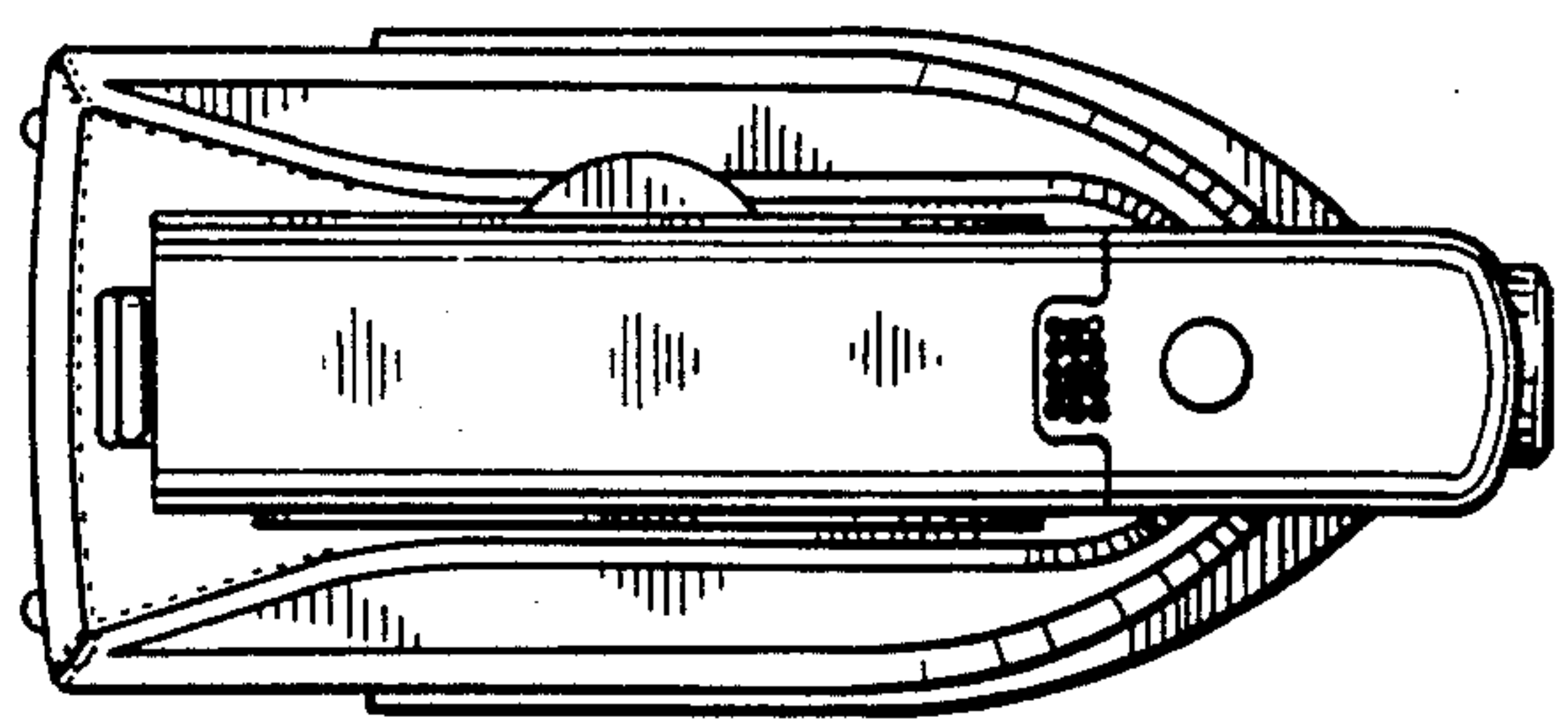




FIG. 6

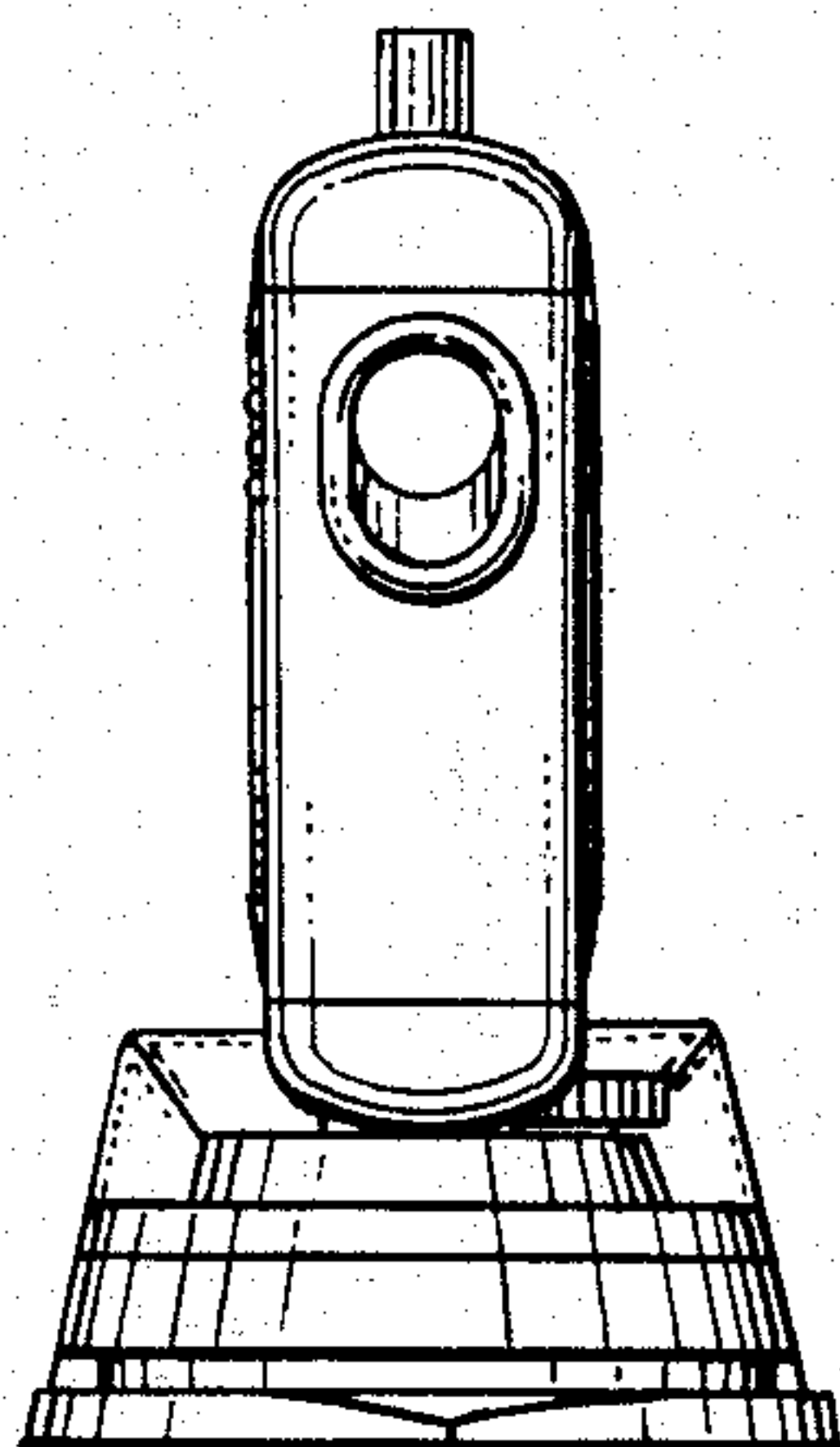


FIG. 7

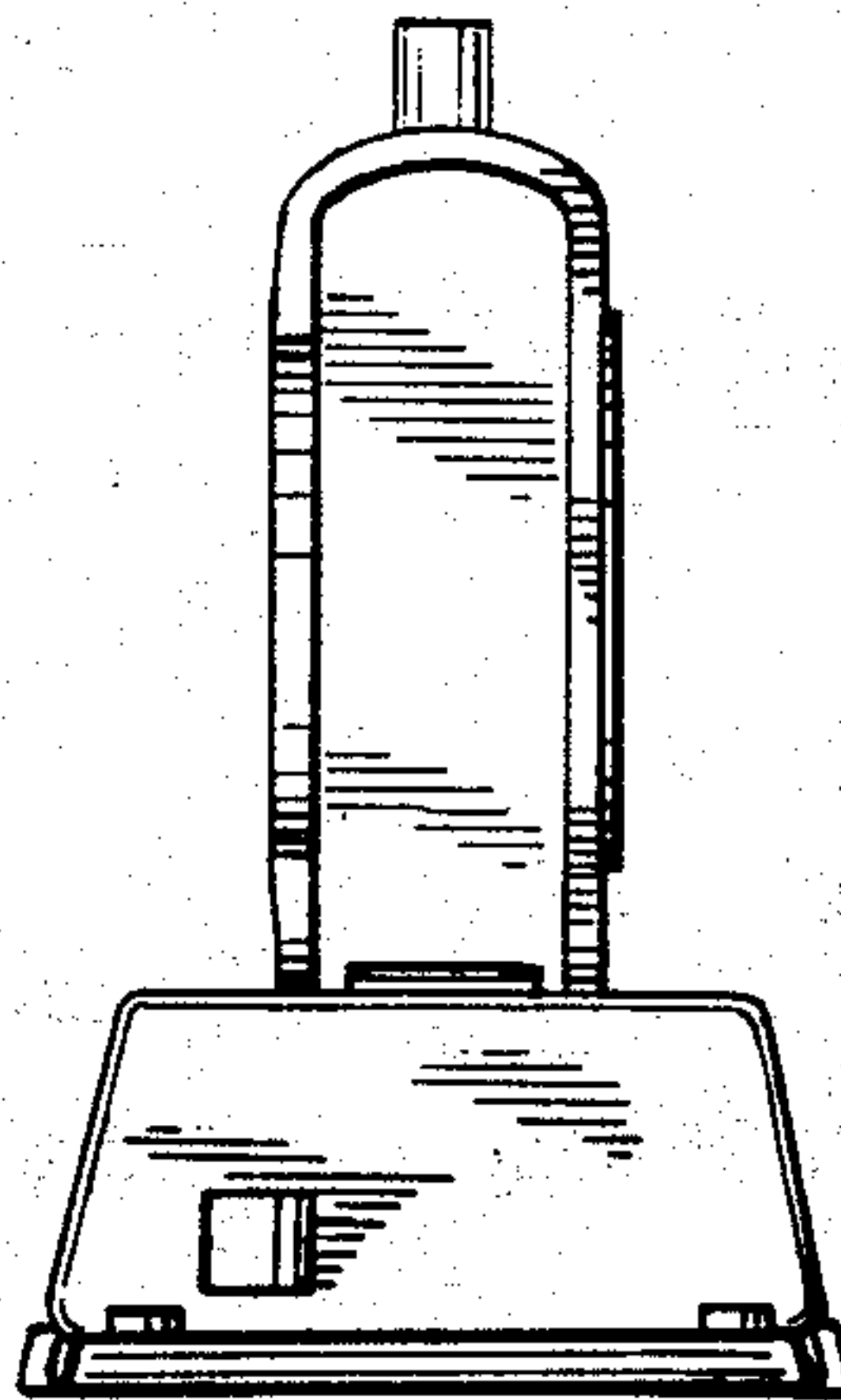


FIG. 8

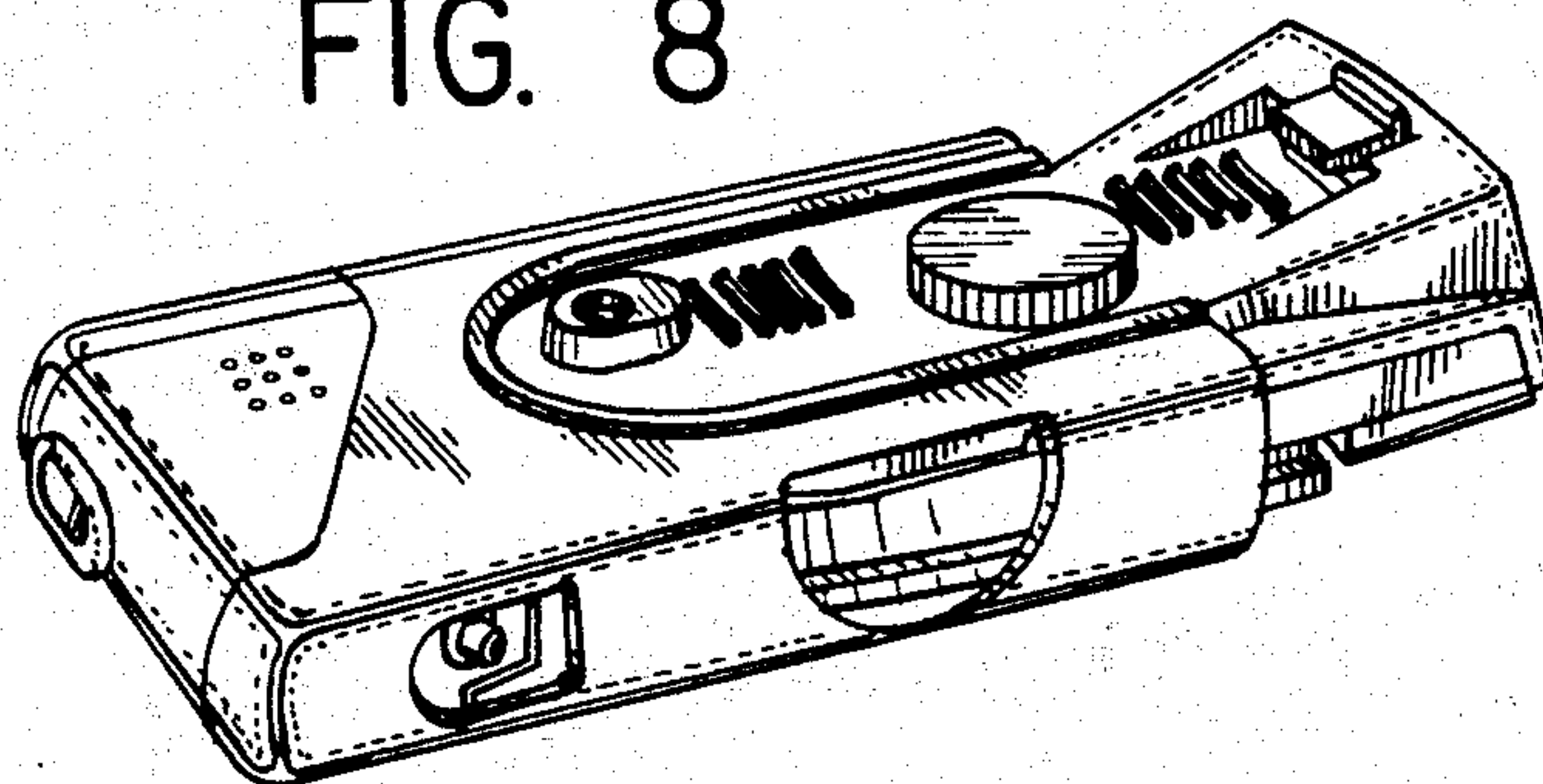


FIG. 9

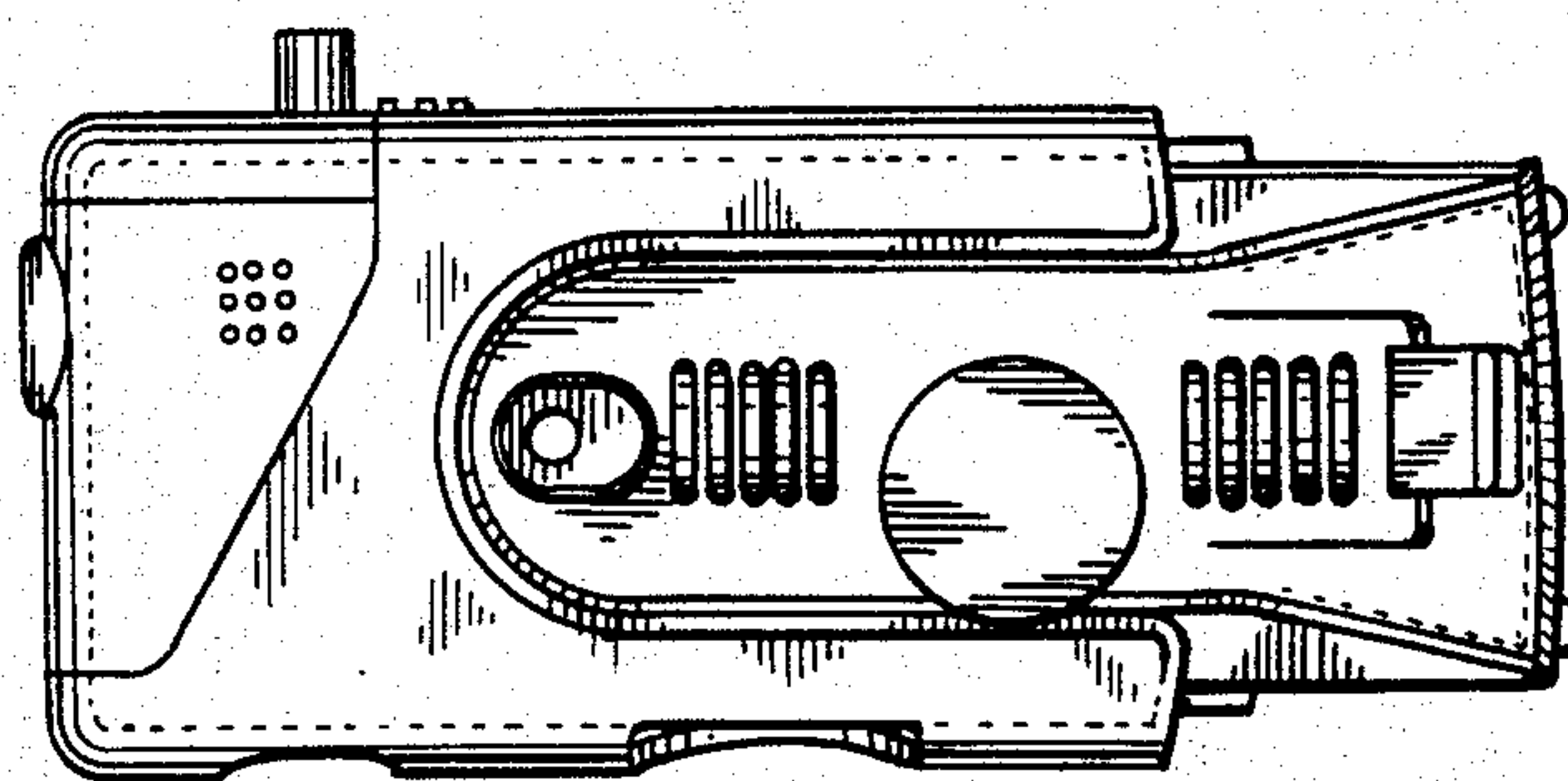


FIG. 10

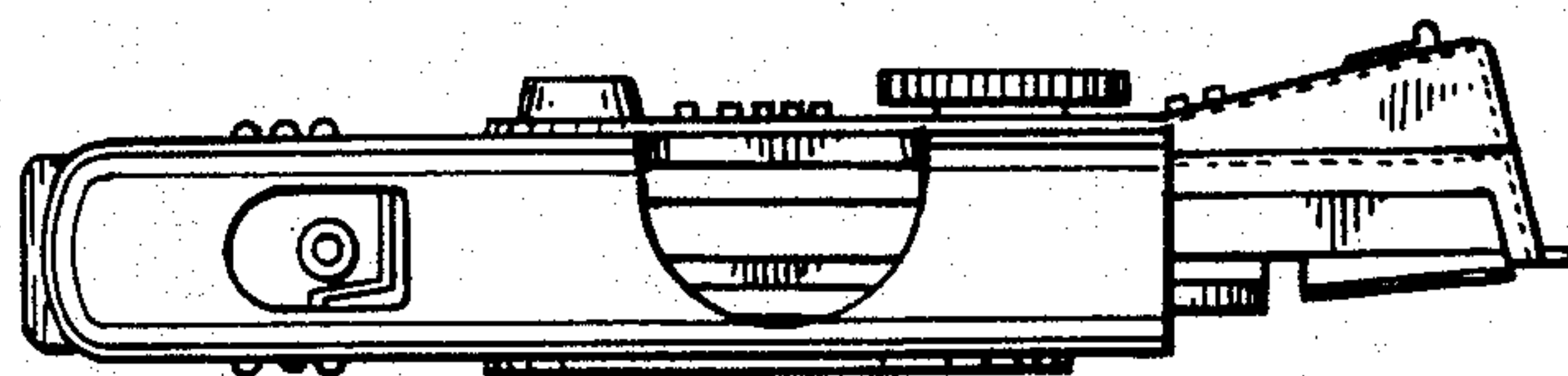


FIG. 11

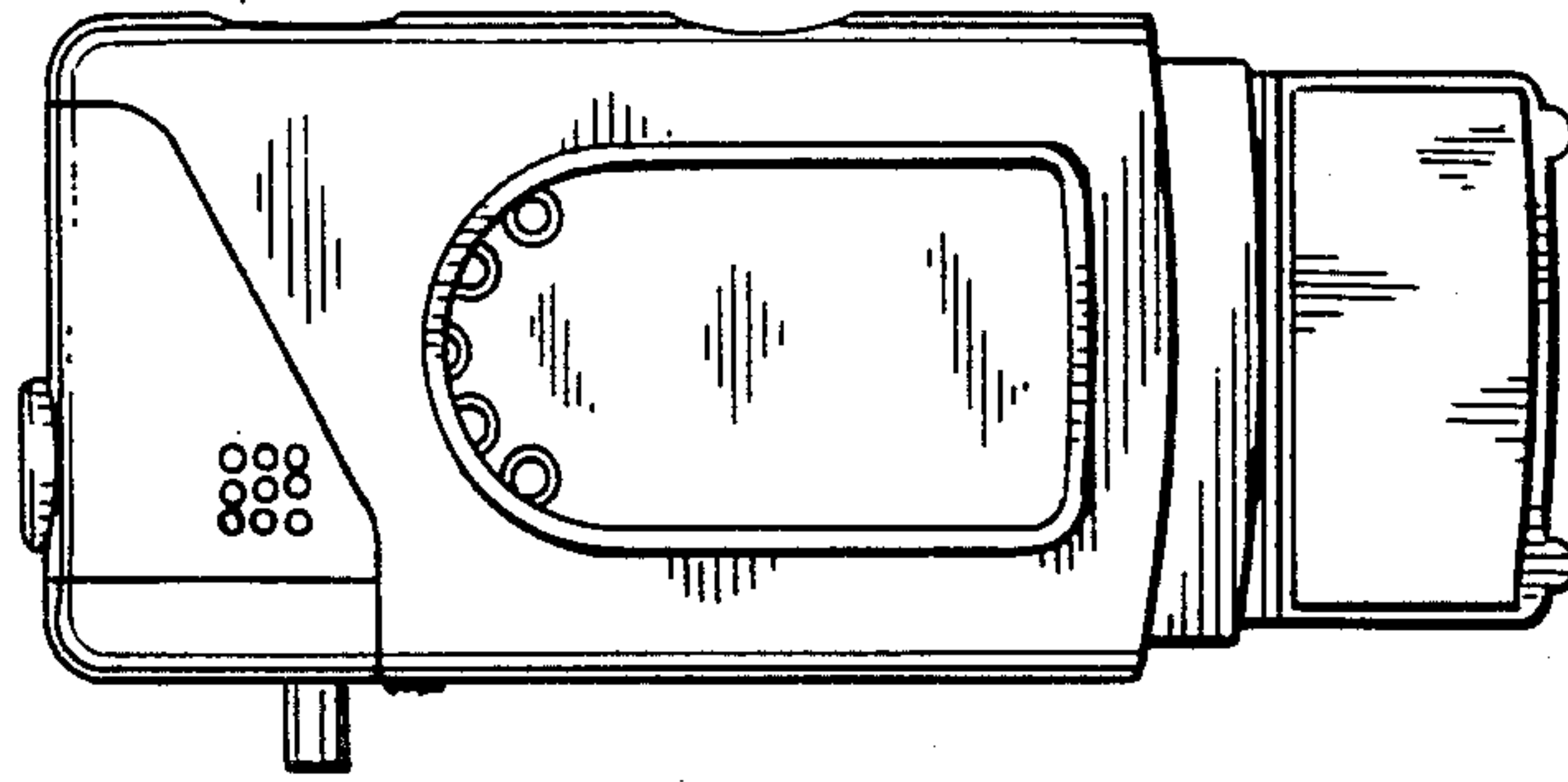


FIG. 12

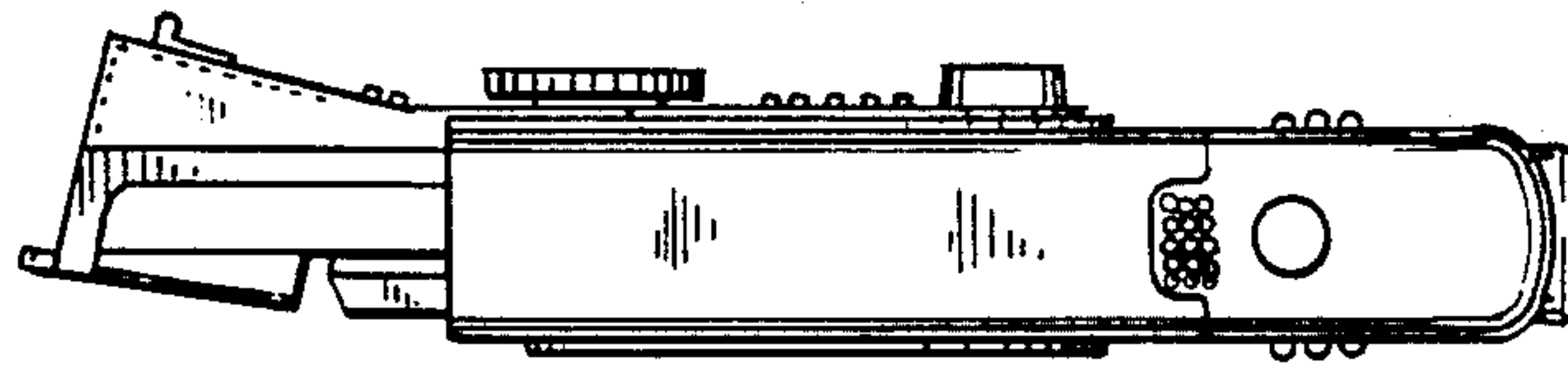


FIG. 13

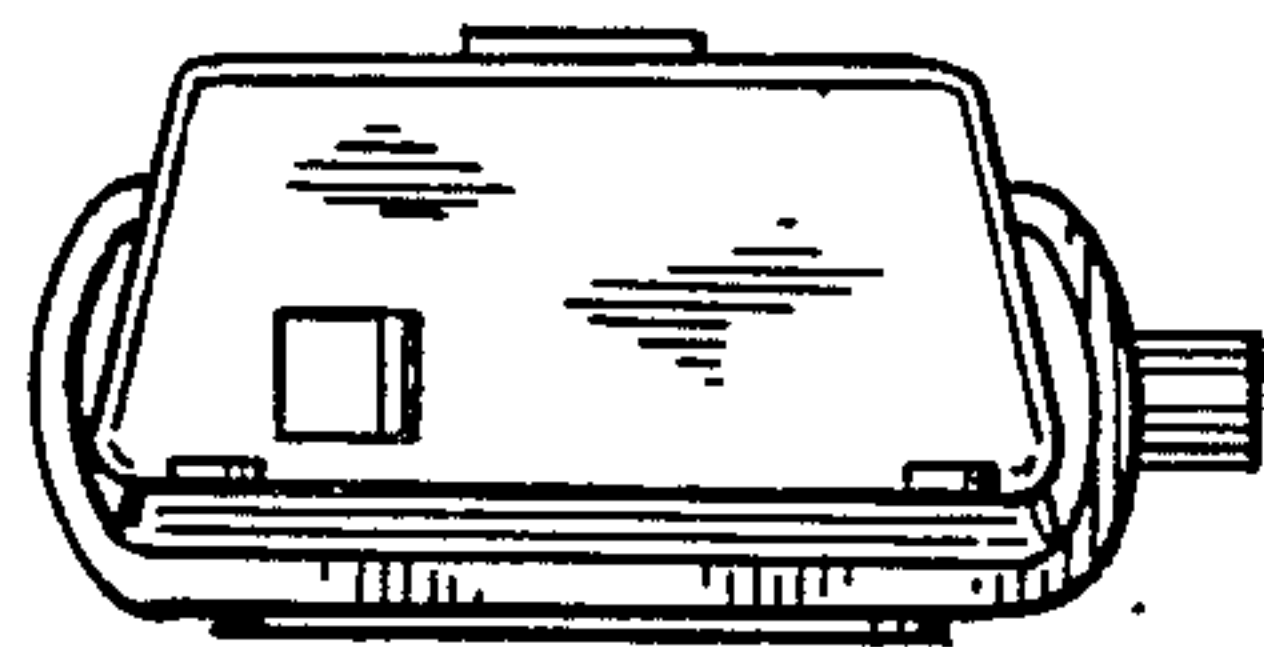


FIG. 14

