

[54] WATER REMOVER

[75] Inventor: Zane E. Seely, Walla Walla, Wash.

[73] Assignee: Delta Corp., Inc., Walla Walla, Wash.

[**] Term: 14 Years

[21] Appl. No.: 588,908

[22] Filed: Mar. 12, 1984

[52] U.S. Cl. D32/41; D32/50; D32/51

[58] Field of Search D32/40, 41, 50, 51; 15/244, 245

[56] References Cited

U.S. PATENT DOCUMENTS

1,706,053	3/1929	Bussinger	15/245
1,838,158	12/1931	Schwartz	15/245 X
2,088,777	8/1937	Dennis	15/245
2,261,475	11/1941	Kautenberg	15/245
2,975,454	3/1961	Bernstein	15/244 A

3,037,229 6/1962 Anderson 15/244 R X

FOREIGN PATENT DOCUMENTS

267081	6/1950	Switzerland	15/245
1246151	9/1971	United Kingdom	15/245

Primary Examiner—Catherine E. Kemper
Attorney, Agent, or Firm—Thomas W. Secrest

[57] CLAIM

The ornamental design for a water remover, as shown.

DESCRIPTION

FIG. 1 is a side elevational view of a water remover showing my new design;
FIG. 2 is a bottom plan view of the water remover;
FIG. 3 is a top plan view of the water remover;
FIG. 4 is a front elevational view of the water remover;
FIG. 5 is a rear elevational view of the water remover;
and,
FIG. 6 is a perspective view looking at the front of the water remover.

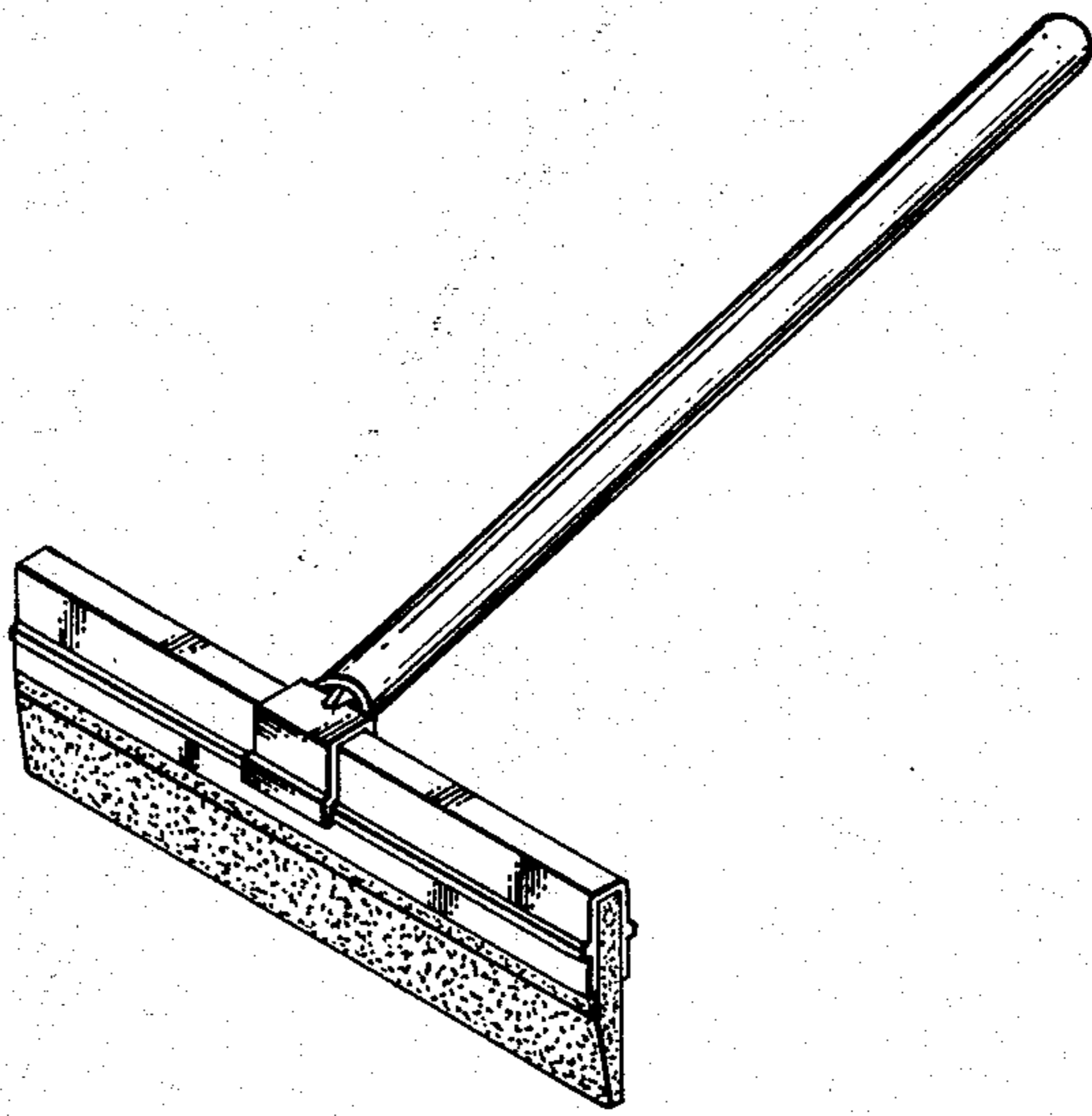


FIG. 1

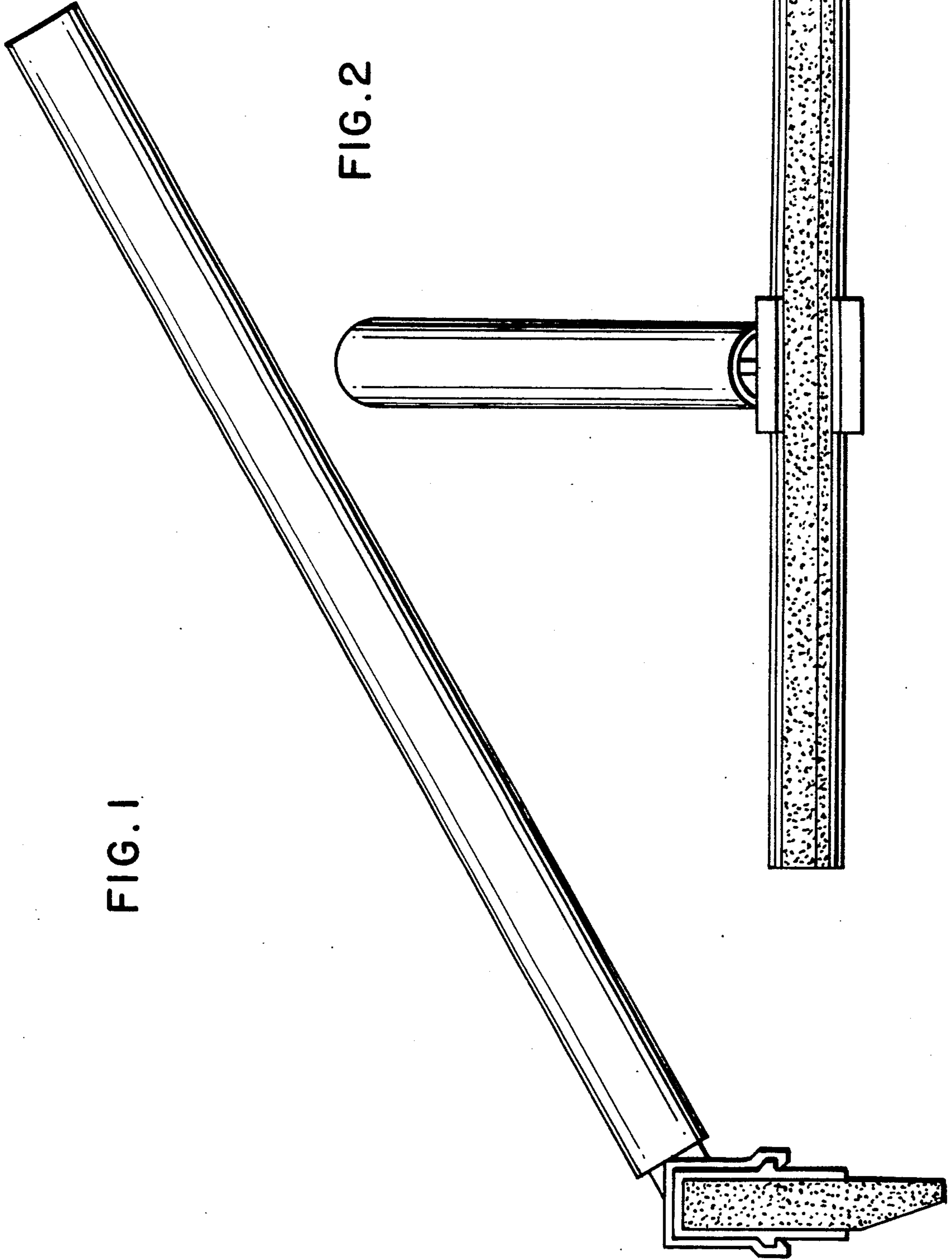


FIG. 2

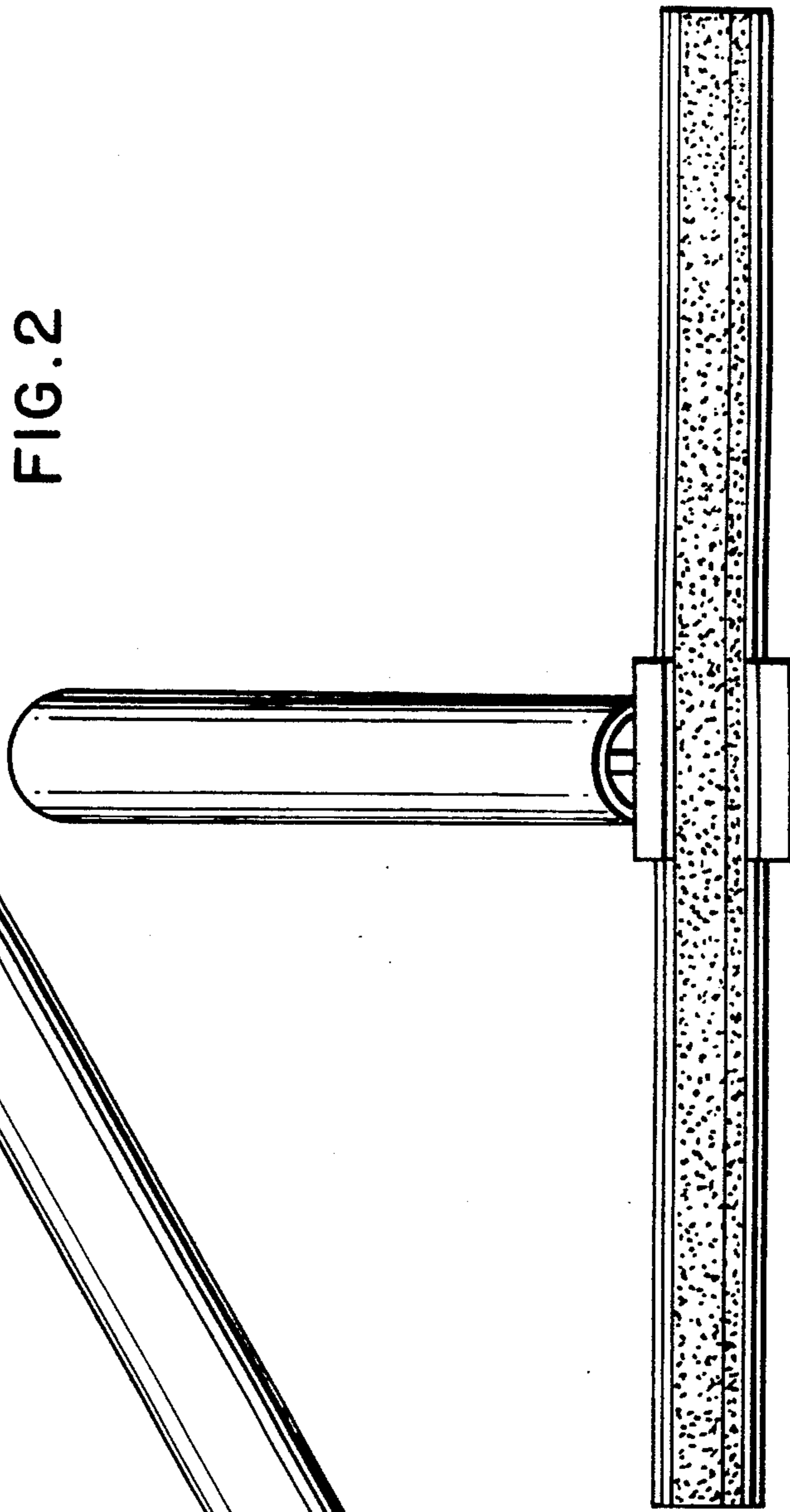


FIG. 3

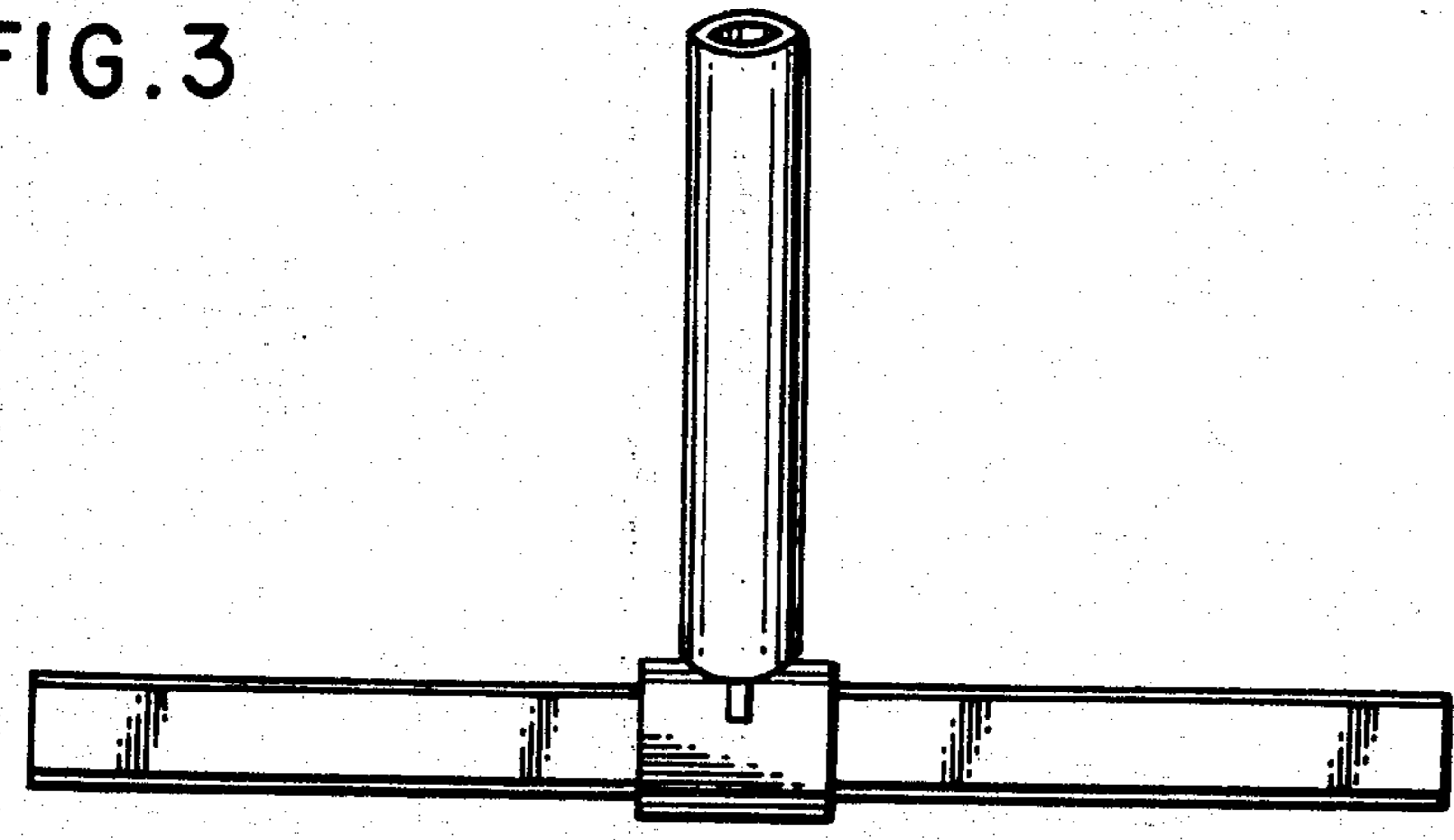


FIG. 4

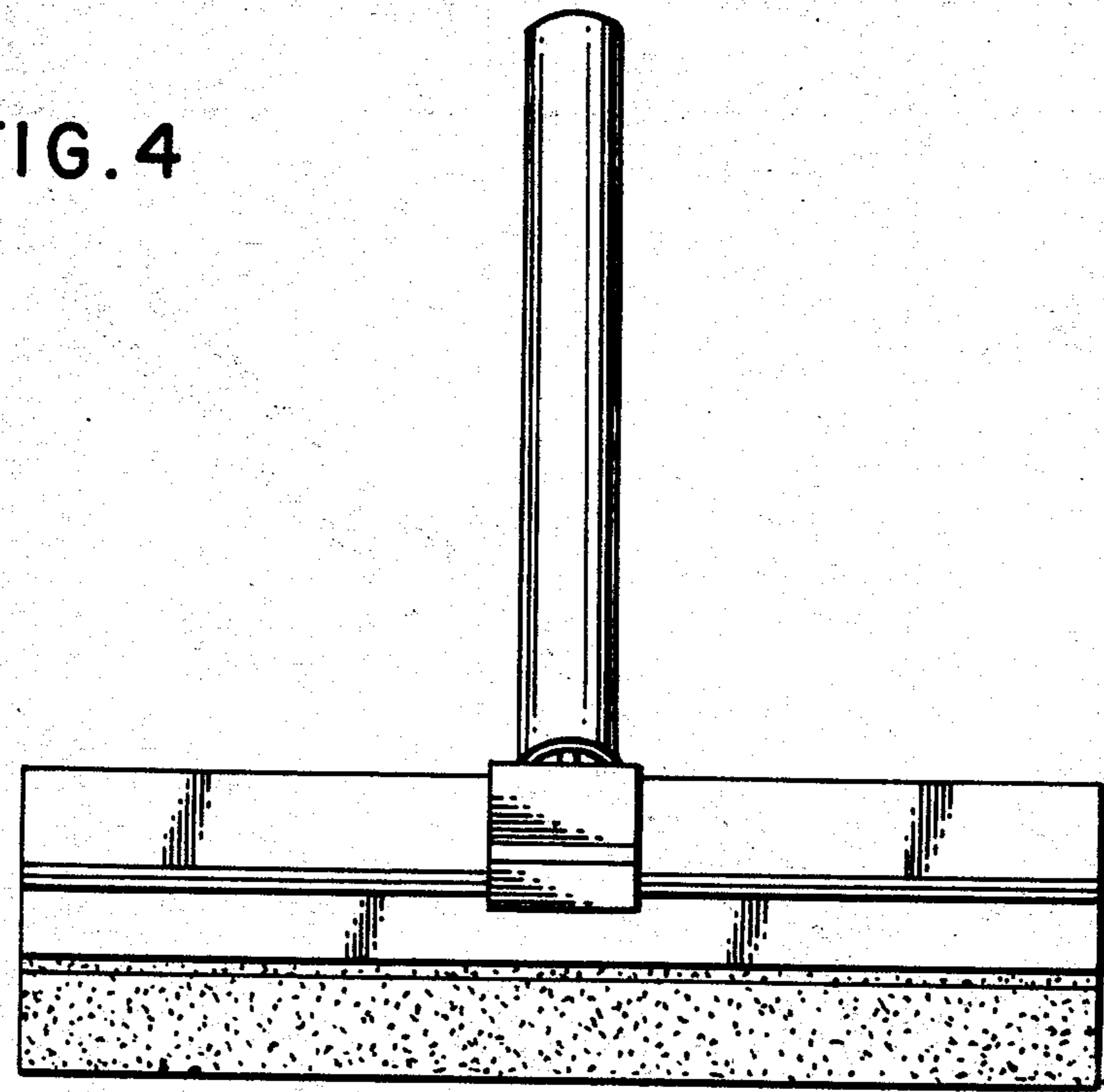


FIG. 5

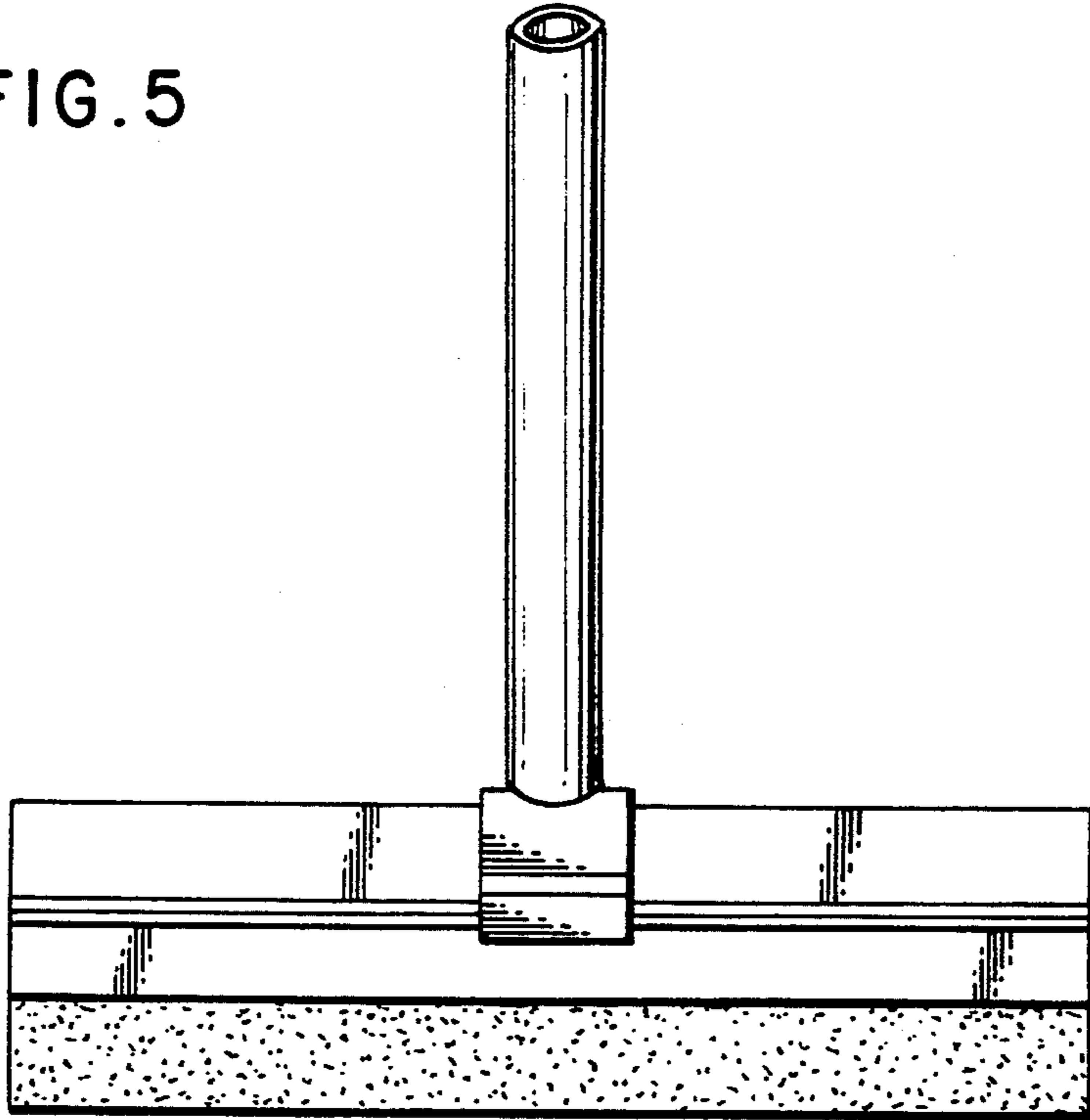


FIG. 6

