

[54] **LAMP BASE**

- [75] **Inventor: Stanley M. Kujawski, East Aurora, N.Y.**  
[73] **Assignee: The Quaker Oats Company, Chicago, Ill.**  
[\*\*] **Term: 14 Years**  
[21] **Appl. No.: 577,867**  
[22] **Filed: Feb. 7, 1984**  
[52] **U.S. Cl. .... D26/94**  
[58] **Field of Search ..... D26/73, 94, 98; 362/124, 806; D11/159**

[56] **References Cited**  
**U.S. PATENT DOCUMENTS**

- D. 175,124 7/1955 **McInnis** ..... D26/98  
2,638,530 5/1953 **Duda** ..... 362/124

**OTHER PUBLICATIONS**

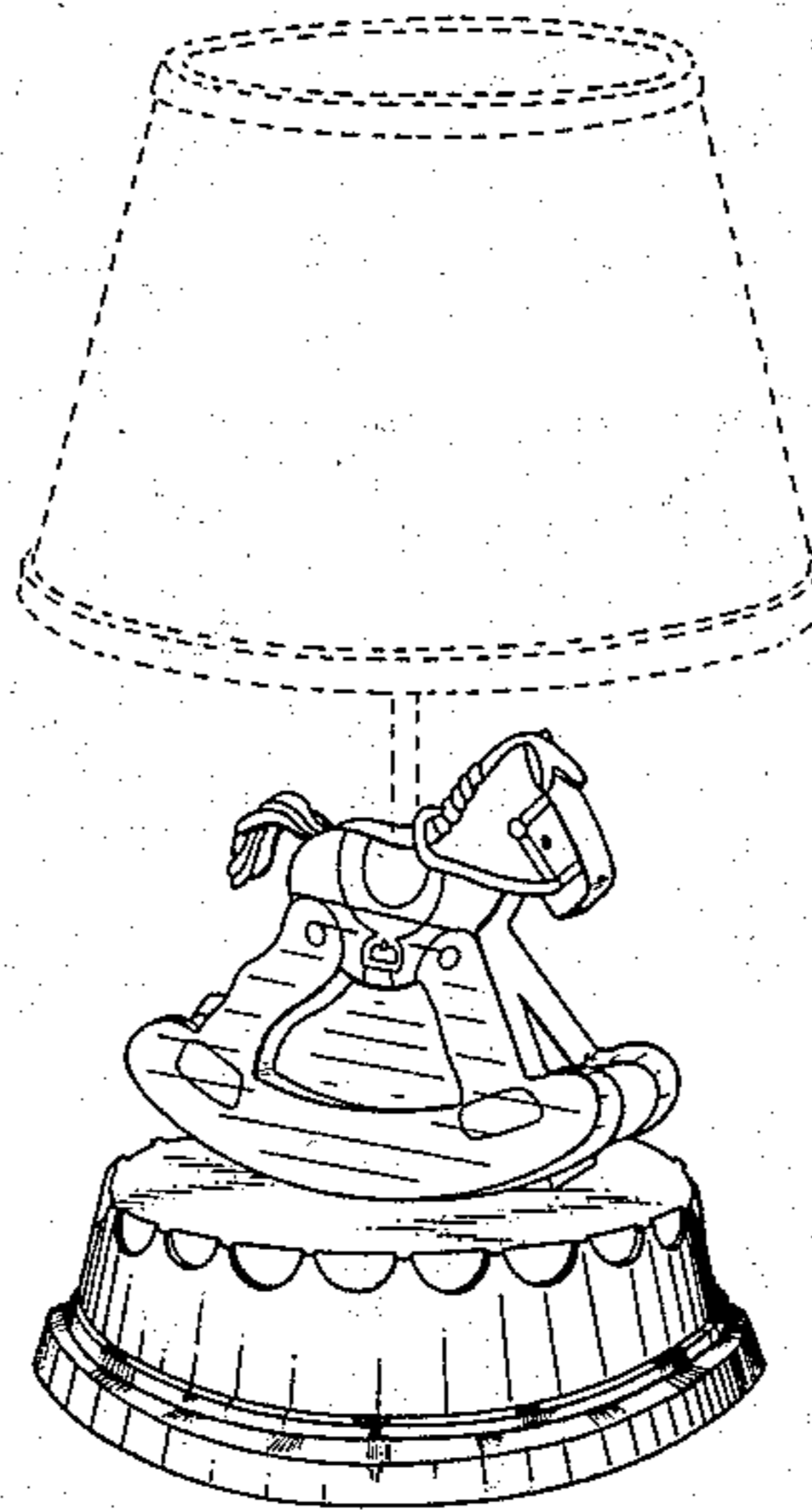
Nursery Plastics Inc., "Young Ideas" Catalog, 1959, p. 8, Rockinghorse & Rider Musical Lamp #M96.  
*Primary Examiner*—Susan J. Lucas  
*Attorney, Agent, or Firm*—Cumpston & Shaw

[57] **CLAIM**

The ornamental design for a lamp base, substantially as shown and described.

**DESCRIPTION**

FIG. 1 is a perspective view of the top, front and right side of a lamp base showing my new design, a conventional shade being shown in phantom lines and forming no part thereof;  
FIG. 2 is a left side elevational view thereof on an enlarged scale;  
FIG. 3 is a rear elevational view thereof on an enlarged scale;  
FIG. 4 is a bottom plan view thereof on a reduced scale.



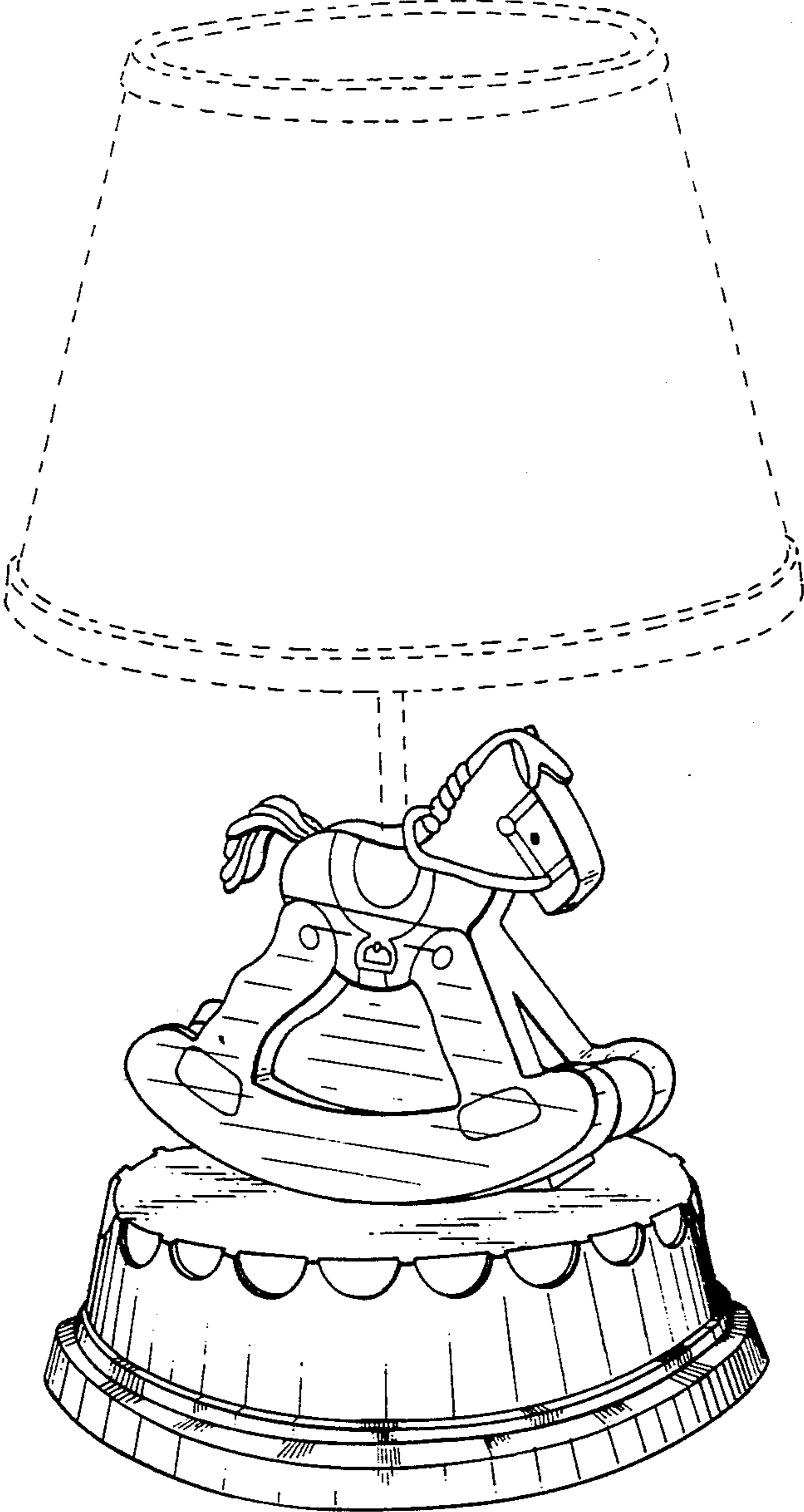


FIG. 1

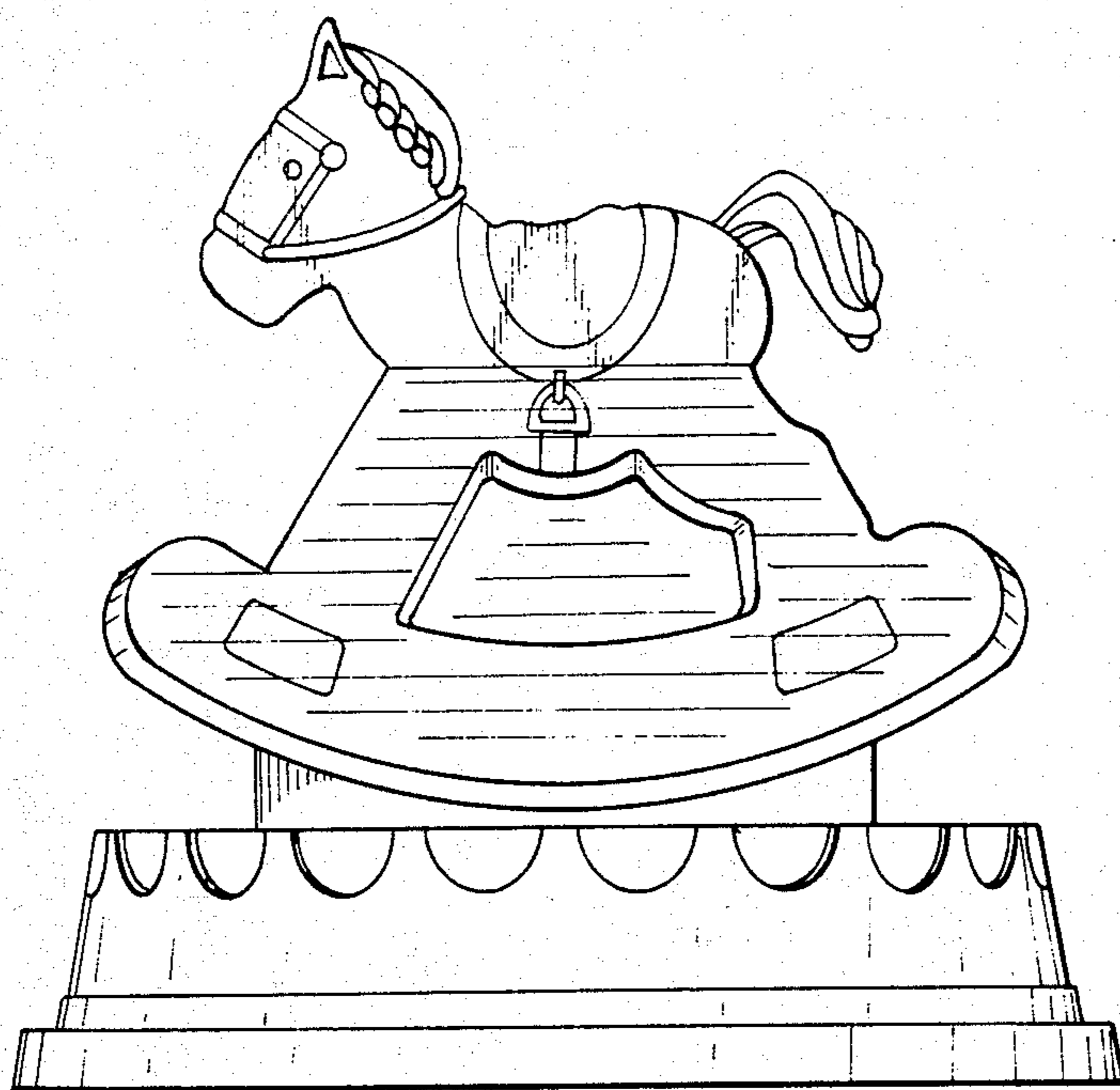


FIG. 2

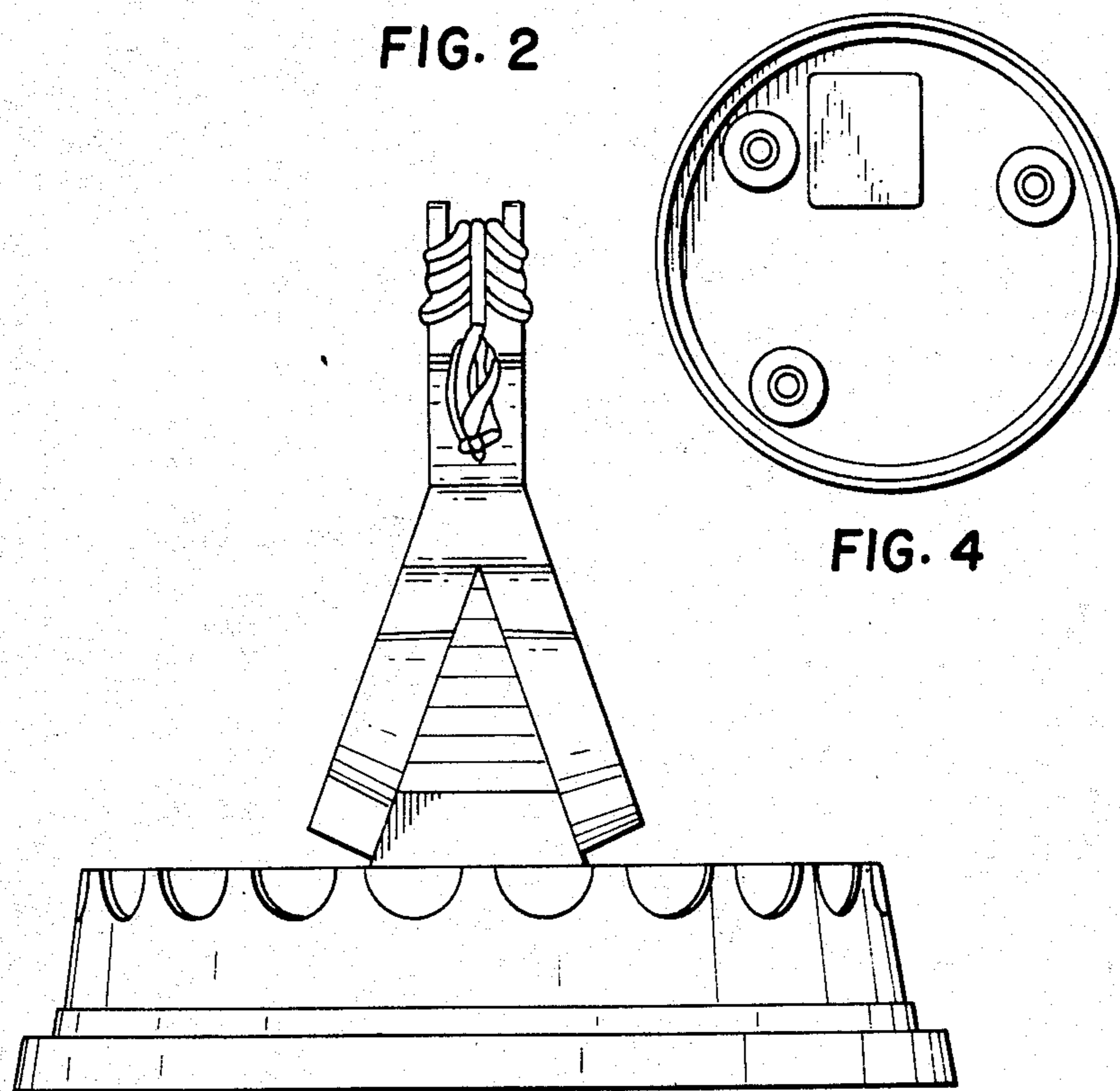


FIG. 3

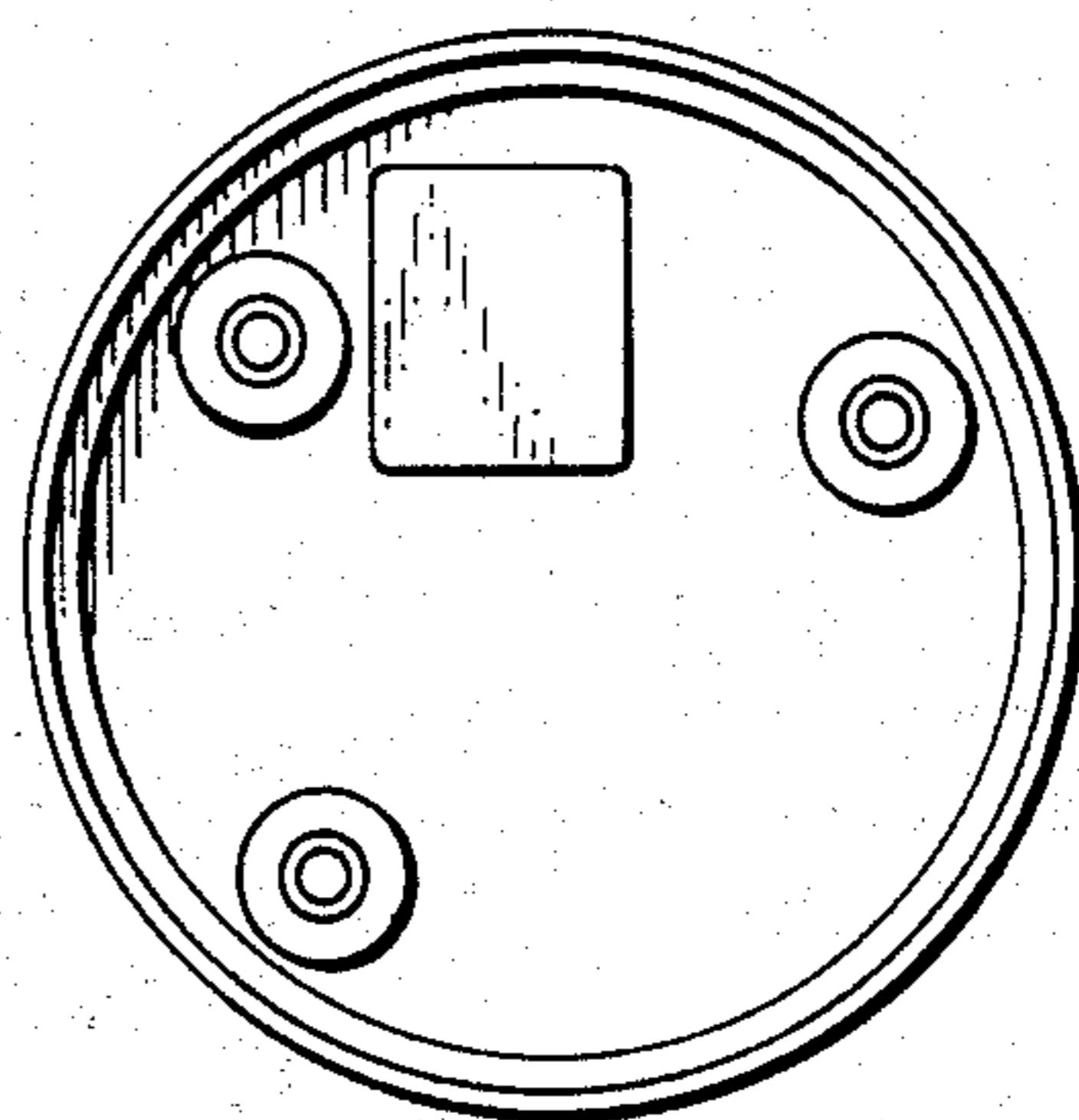


FIG. 4