

[54] HAND-HELD MASSAGER

[75] Inventors: Helmut Grundler, Valley Stream, N.Y.; Gottfried Grundler, Salzburg, Austria

[73] Assignee: Actifit, Inc., Valley Stream, N.Y.

[**] Term: 14 Years

[21] Appl. No.: 569,680

[22] Filed: Jan. 10, 1984

[52] U.S. Cl. D24/36

[58] Field of Search D24/36, 41, 42; 128/57, 128/25 B, 25 R, 60, 24.3

[56] References Cited

U.S. PATENT DOCUMENTS

D. 245,864	9/1977	Gelbart	D24/36
871,121	11/1907	D'Humy	128/60
1,103,669	7/1914	Gibbs	128/57 X

1,111,427	9/1914	Archibald	128/25 B X
2,273,710	2/1942	Klaes	D24/36 X
3,672,356	6/1972	Possick	128/57

Primary Examiner—A. Hugo Word
Assistant Examiner—Stella M. Reid
Attorney, Agent, or Firm—Cohen, Pontani & Lieberman

[57] CLAIM

The ornamental design for a hand-held massager, as shown and described.

DESCRIPTION

FIG. 1 is a top plan view of a hand-held massager showing our new design;
FIG. 2 is a front elevational view thereof, the rear view being identical;
FIG. 3 is a side elevational view thereof, the opposite side being identical;
FIG. 4 is a bottom plan view thereof; and
FIG. 5 is a cross-sectional view taken along line 5—5 of FIG. 2.

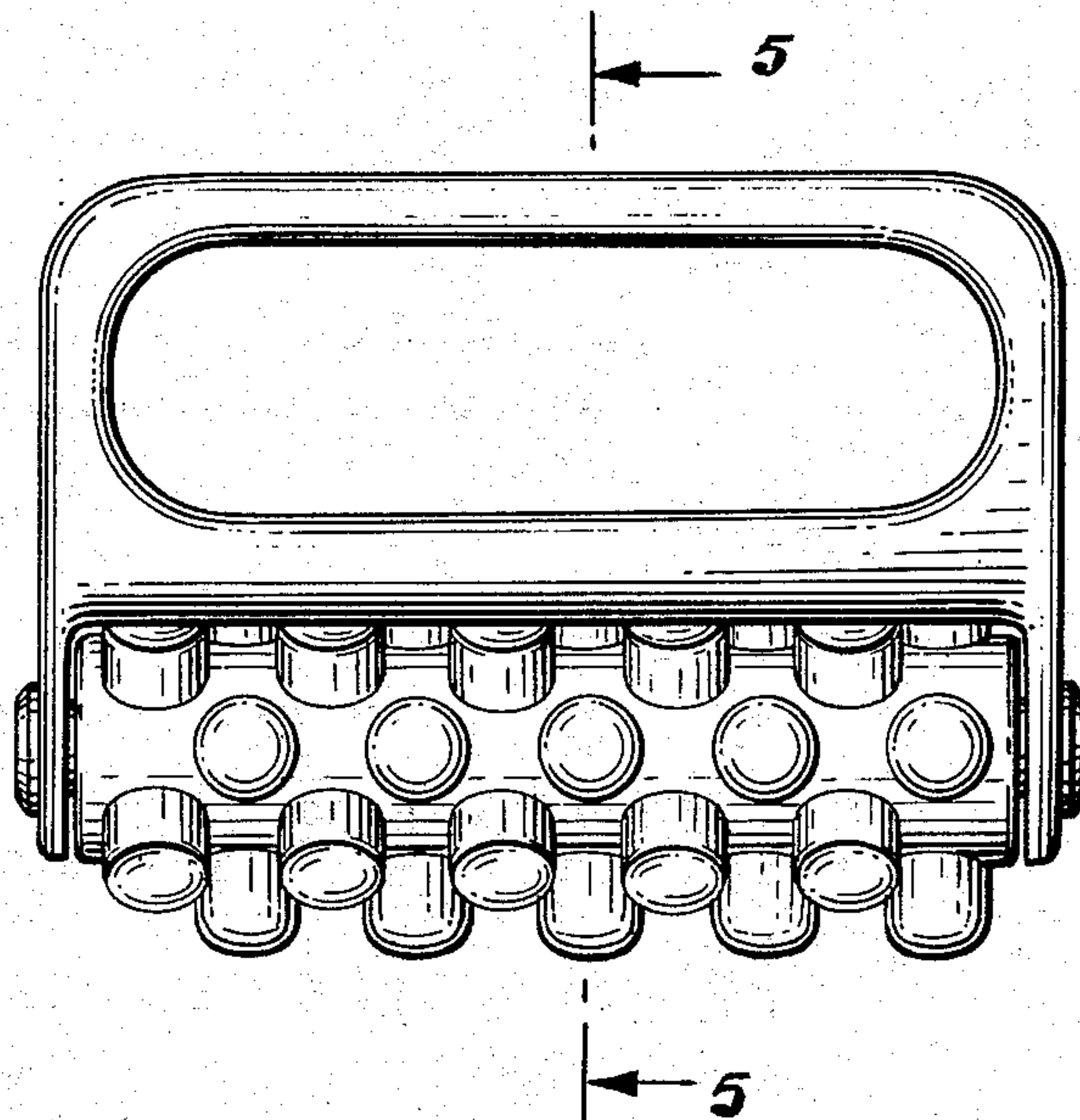


FIG. 1

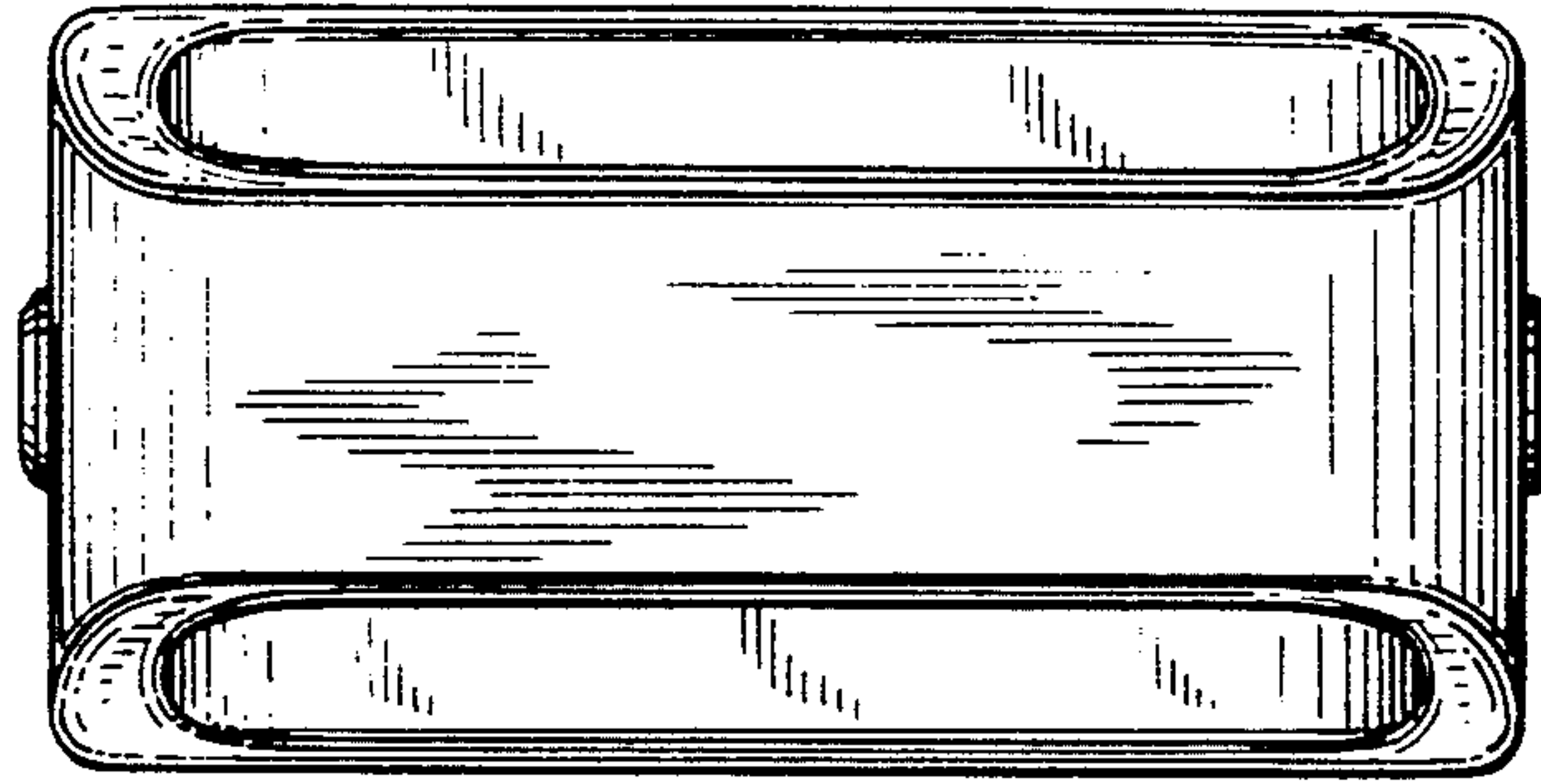


FIG. 2

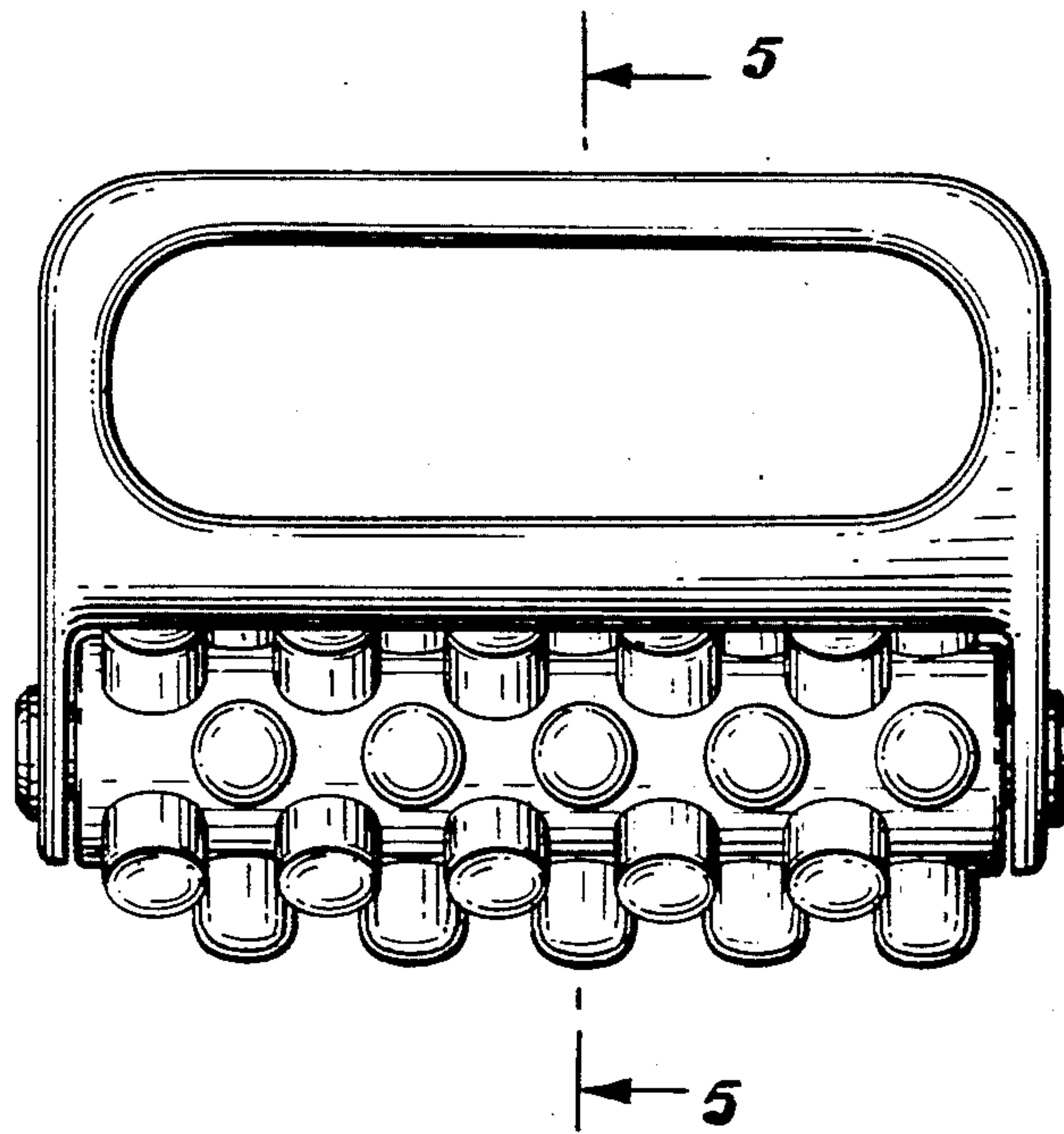


FIG. 3

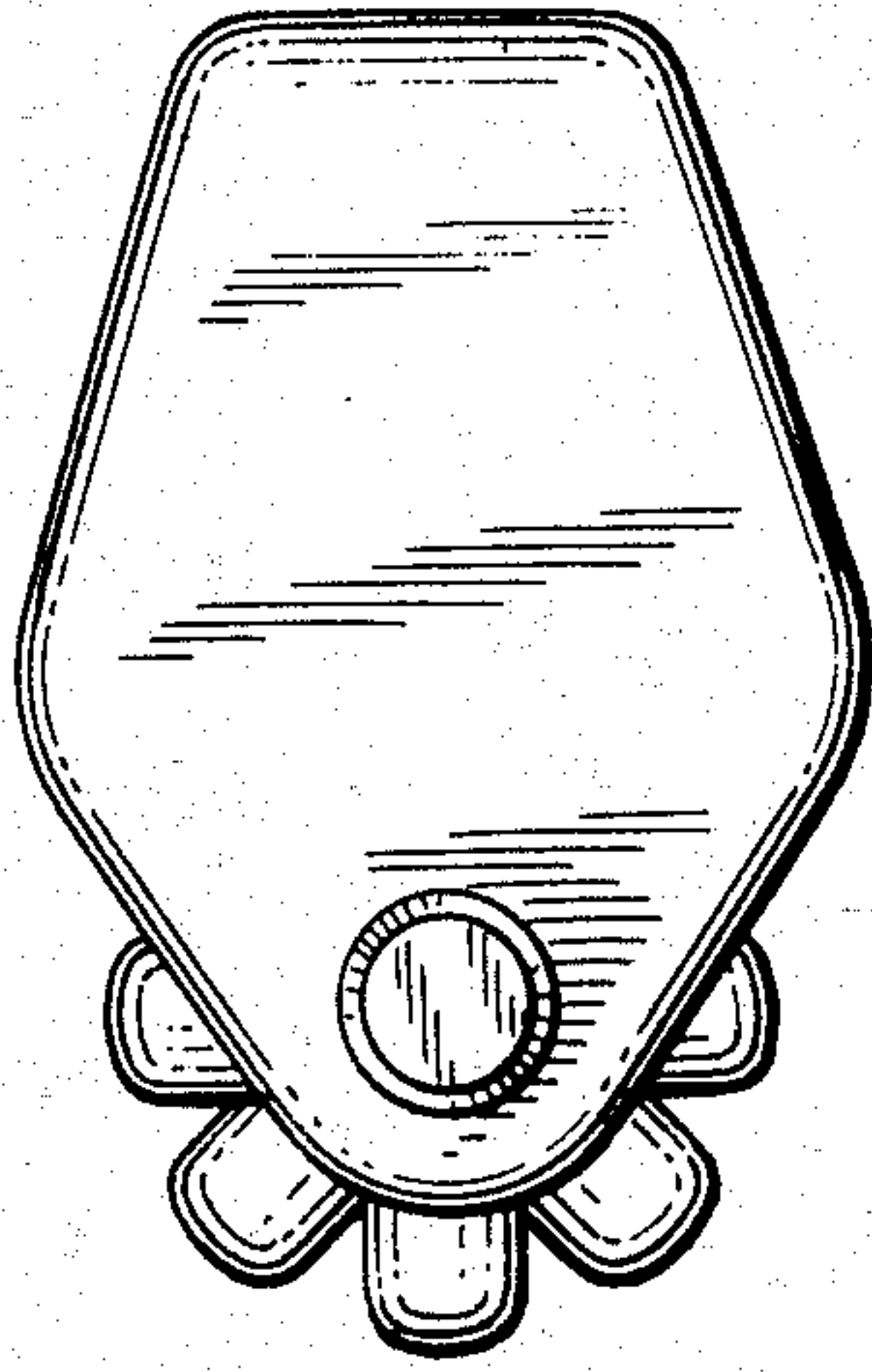


FIG. 5

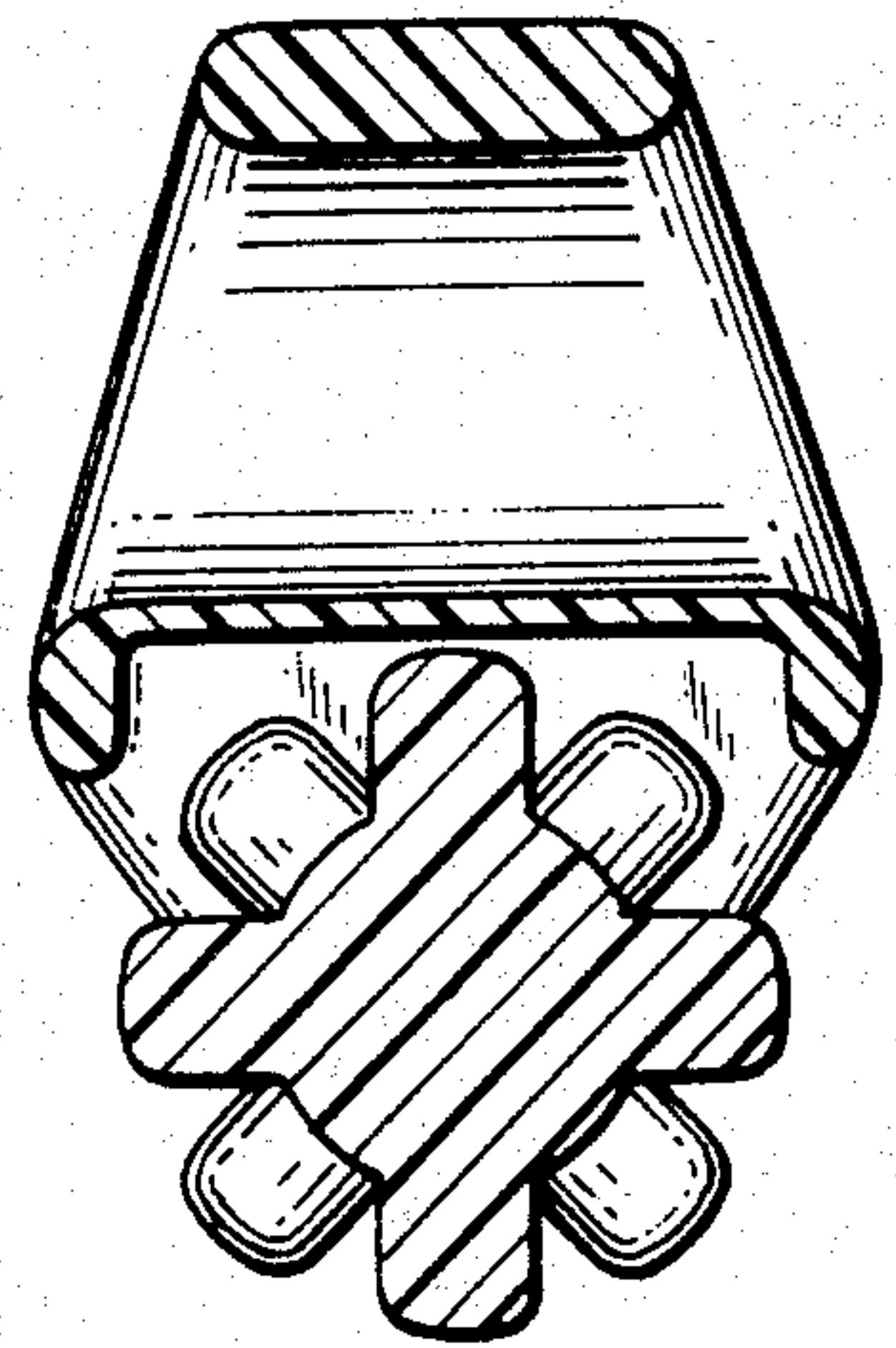


FIG. 4

