

[54] CEILING FAN

[75] Inventor: Michael A. Markwardt, Fort Worth, Tex.

[73] Assignee: Encon Industries, Inc., Fort Worth, Tex.

[**] Term: 14 Years

[21] Appl. No.: 775,148

[22] Filed: Sep. 12, 1985

[52] U.S. Cl. D23/158

[58] Field of Search D23/155-165; D26/9, 59; 416/5, 204-210, 234, 244

[56] References Cited

U.S. PATENT DOCUMENTS

D. 270,563	9/1983	Phillips	D23/158
4,402,649	9/1983	Laurel	416/5
4,538,973	9/1985	Angott et al.	416/5

OTHER PUBLICATIONS

Supreme Fan "Mark IV DeLuxe" #JCSDX-52AB. Casablanca Fan Co. p. 22, #2.

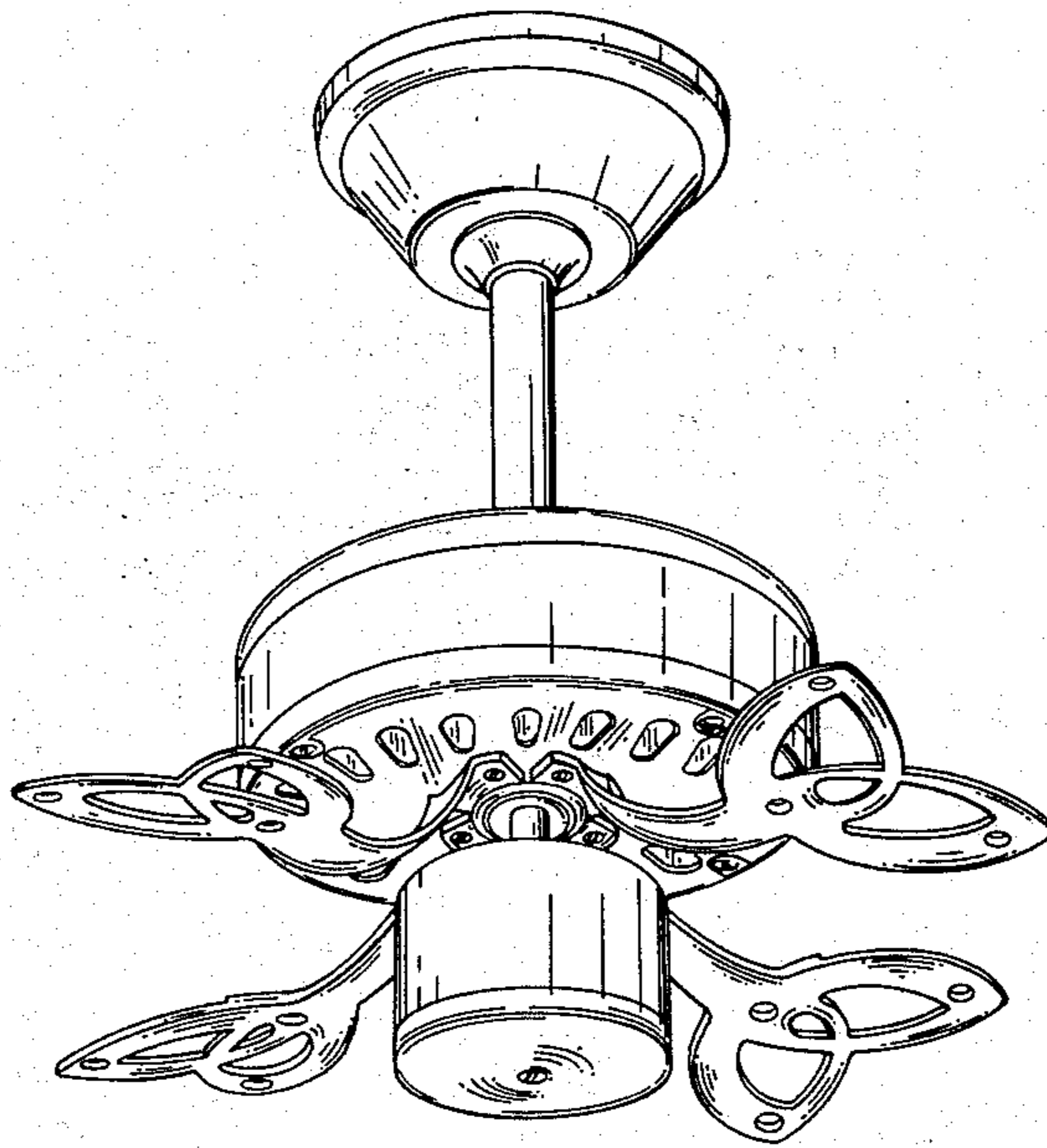
Primary Examiner—Wallace R. Burke
Assistant Examiner—Brian N. Vinson
Attorney, Agent, or Firm—Laney, Dougherty, Hessin, Claro & Beavers

[57] CLAIM

The ornamental design for ceiling fan, substantially as shown and described.

DESCRIPTION

FIG. 1 is a side elevational view of a ceiling fan showing my new design, the opposite and adjacent sides being identical in appearance and the broken-line showing of the fan blades being for illustrative purposes only and forming no part of the claimed design; FIG. 2 is a top plan view thereof; FIG. 3 is a bottom plan view thereof; and FIG. 4 is a bottom perspective view thereof.



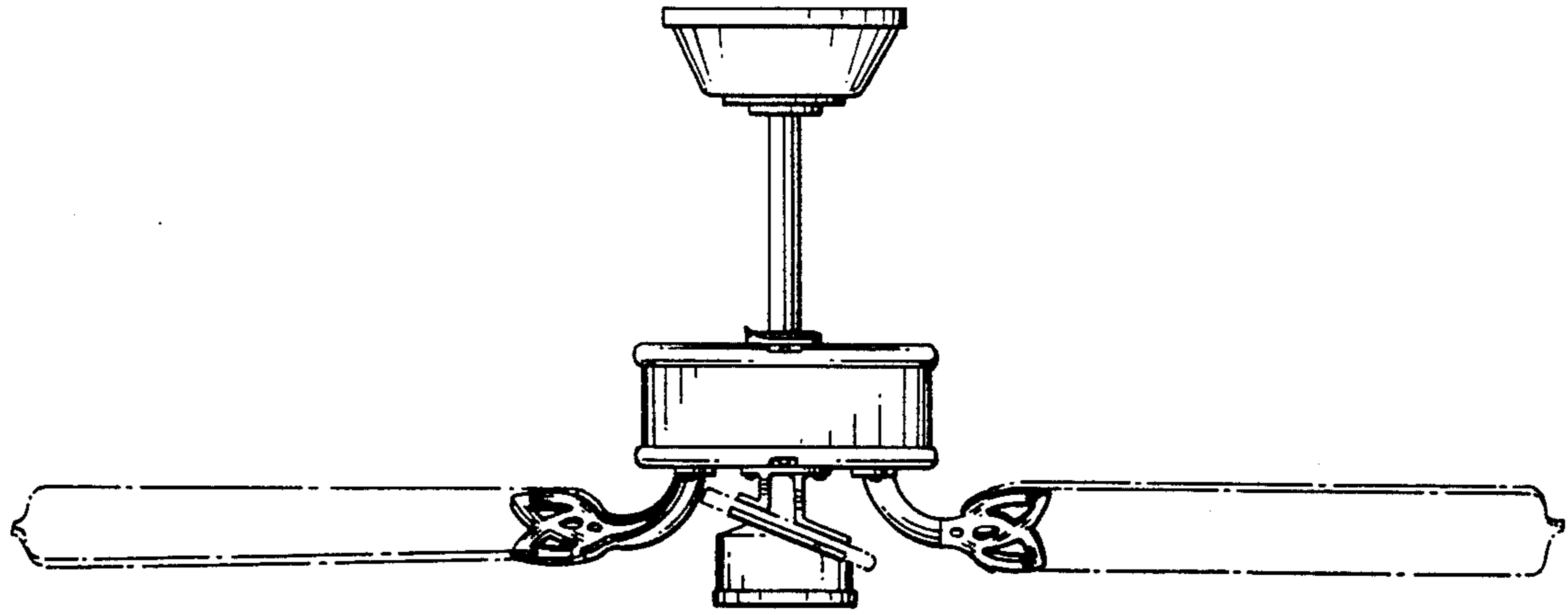


FIG. 1

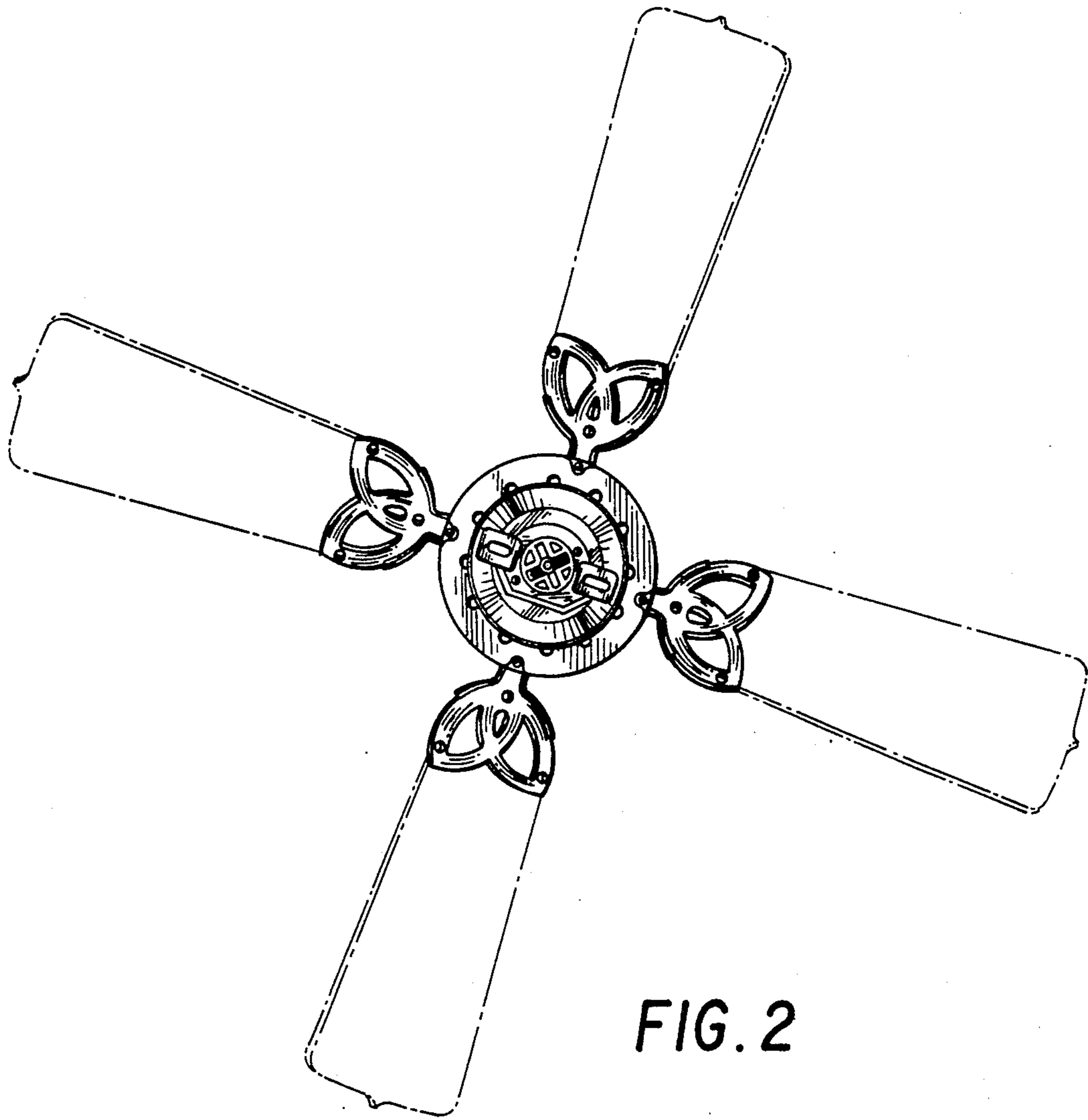


FIG. 2

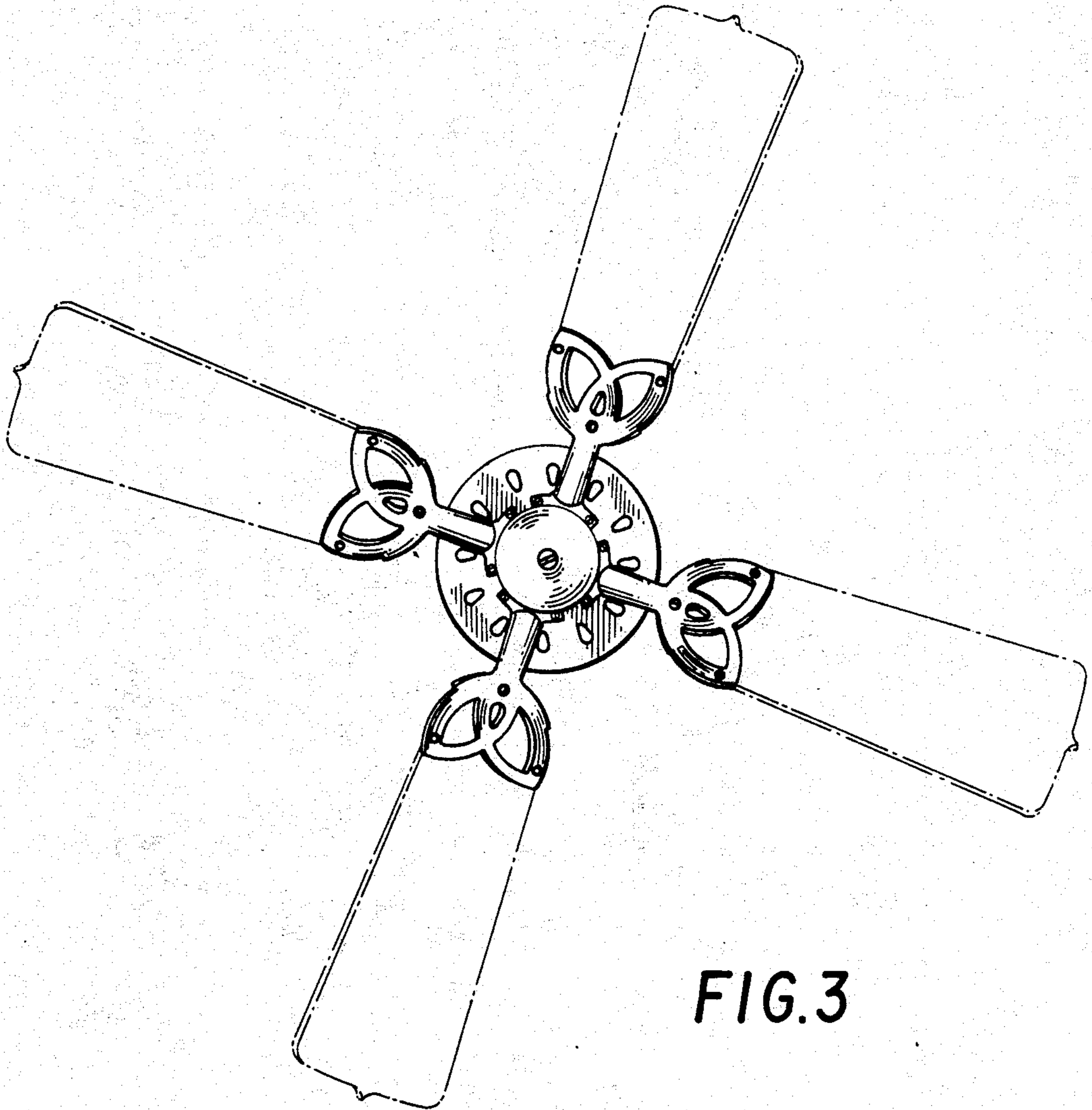


FIG. 3

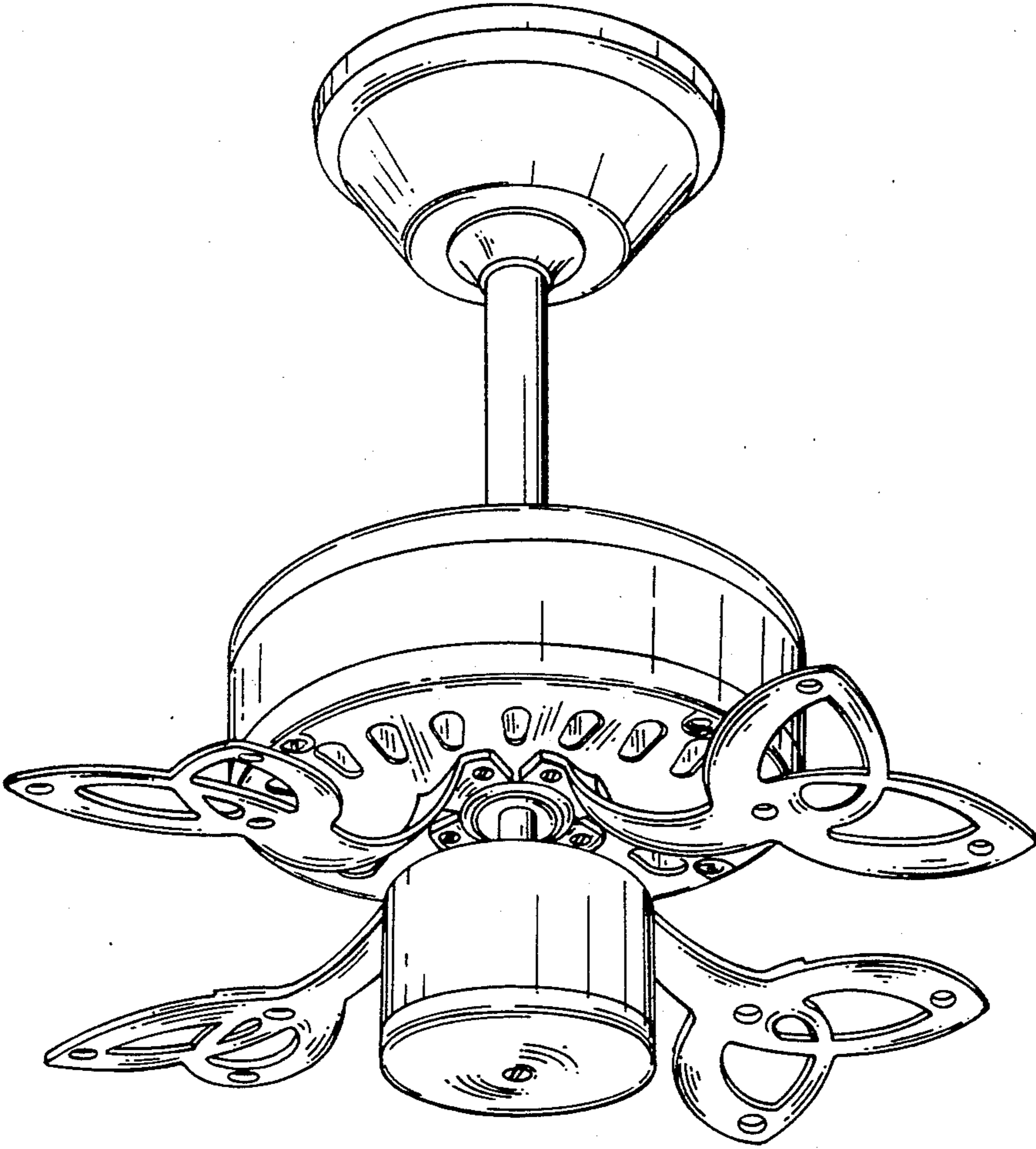


FIG. 4