

[54] LABORATORY HOOD

[76] Inventor: Daniel R. Conlon, 600 Meetinghouse Rd., Jenkintown, Pa. 19046

[\*\*] Term: 14 Years

[21] Appl. No.: 685,734

[22] Filed: Dec. 24, 1984

[52] U.S. Cl. .... D23/151

[58] Field of Search ..... D23/193, 150-151, D23/163, 167; D24/8; 98/115.1-115.3

[56] References Cited

U.S. PATENT DOCUMENTS

D. 231,615	5/1974	Nygaard et al. ....	D23/151
D. 242,861	12/1976	Carlson .....	D23/151
3,284,148	11/1966	Ramniceanu .....	98/115.3 X
3,340,788	9/1967	Landingham et al. ....	98/115.3
3,511,162	5/1970	Truman .....	98/115.3 X
4,505,190	3/1985	Fink et al. ....	98/115.1
4,553,992	11/1985	Boissinot et al. ....	98/115.3 X

OTHER PUBLICATIONS

1981-1982 American Scientific Products Catalogue, p. 614, "Microbiology Safety Hood" and p. 622, "Basic Clean Air Work Station".

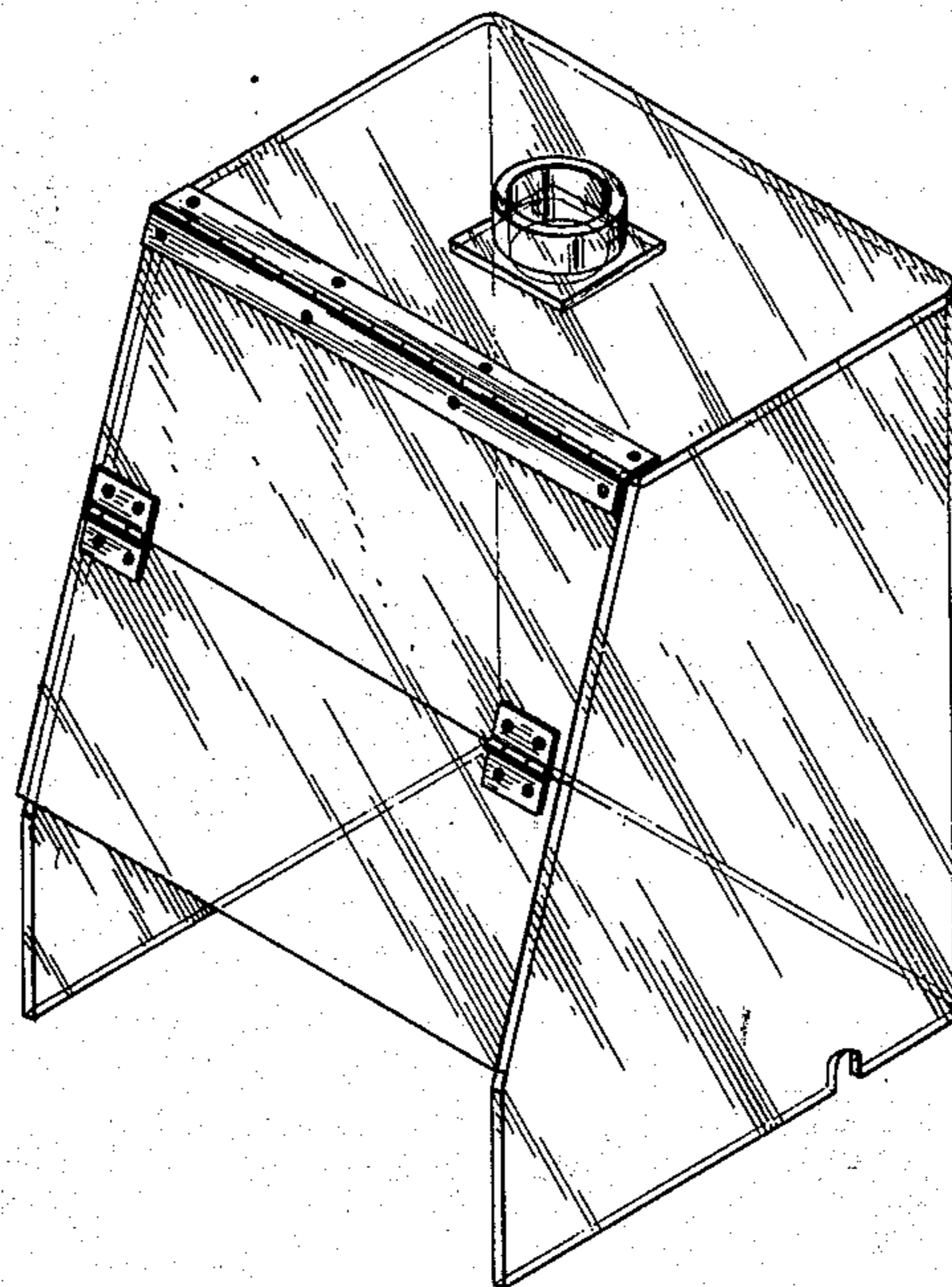
Primary Examiner—Wallace R. Burke  
Assistant Examiner—Brian N. Vinson  
Attorney, Agent, or Firm—Paul Lipsitz

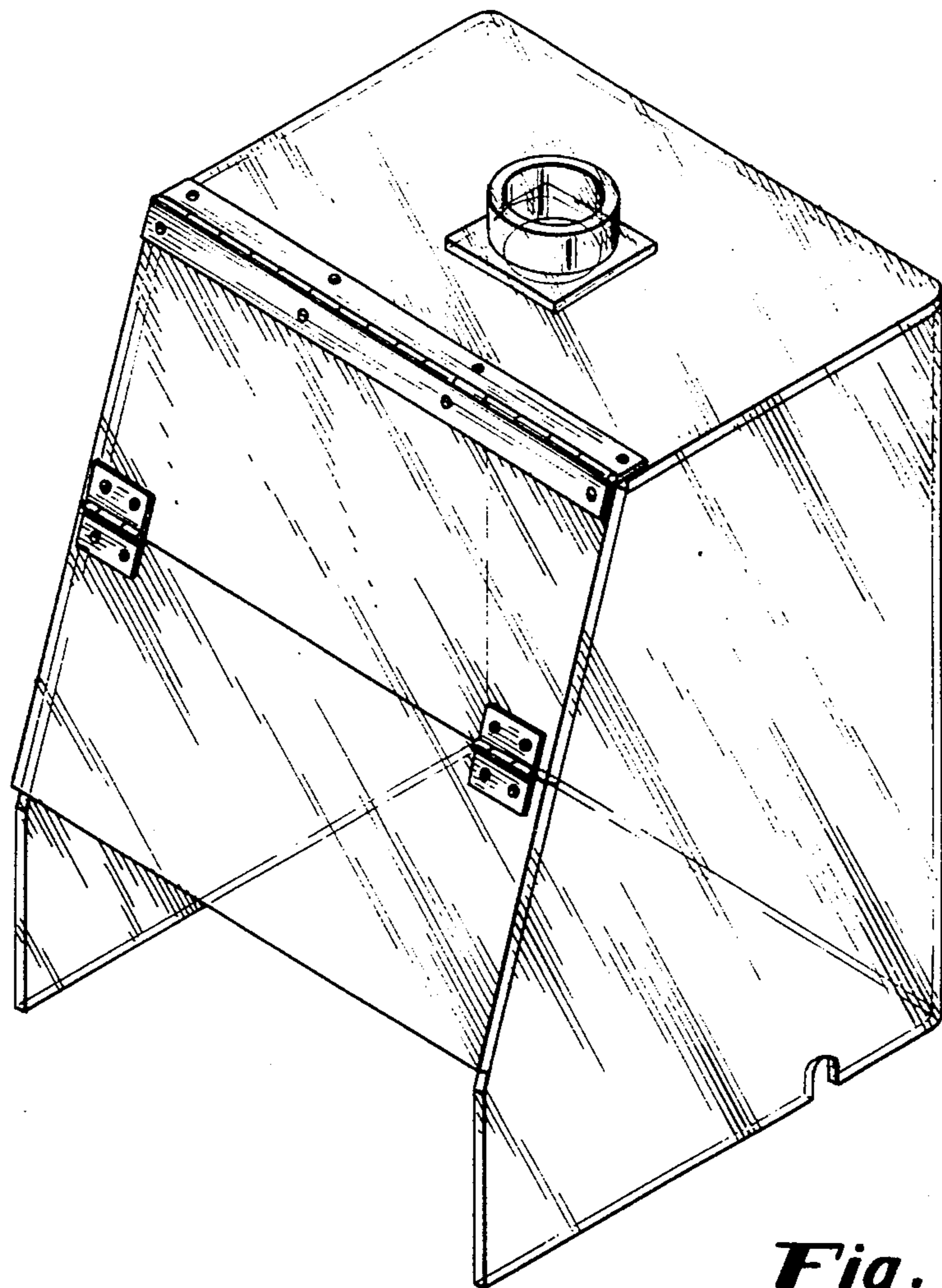
[57] CLAIM

The ornamental design for a laboratory hood, as shown and described.

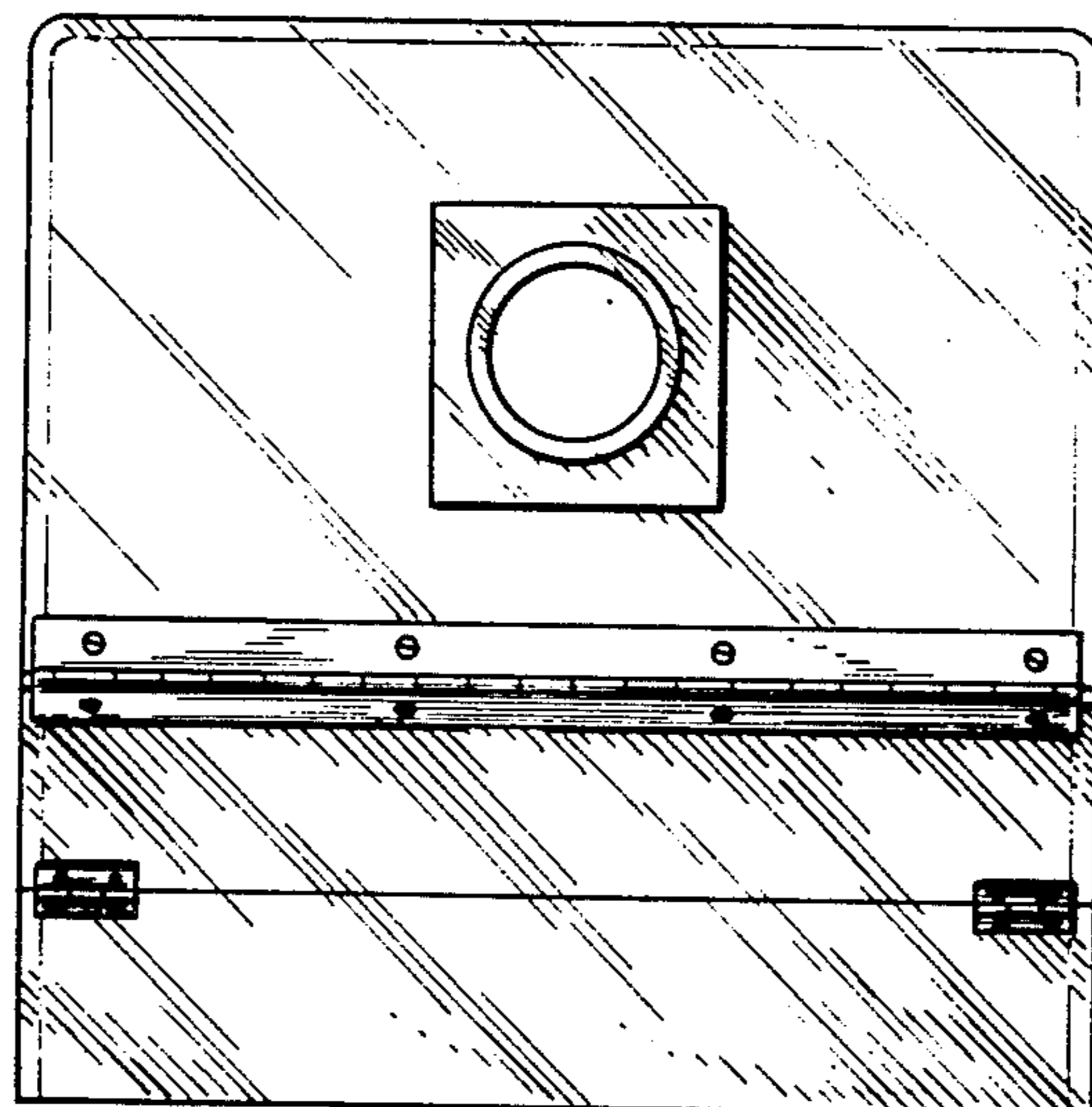
DESCRIPTION

FIG. 1 is a perspective view of a laboratory hood showing my new design;  
FIG. 2 is a top plan view thereof;  
FIG. 3 is a front elevational view thereof;  
FIG. 4 is a right side elevational view thereof, the left side being substantially similar in appearance;  
FIG. 5 is a bottom plan view thereof.

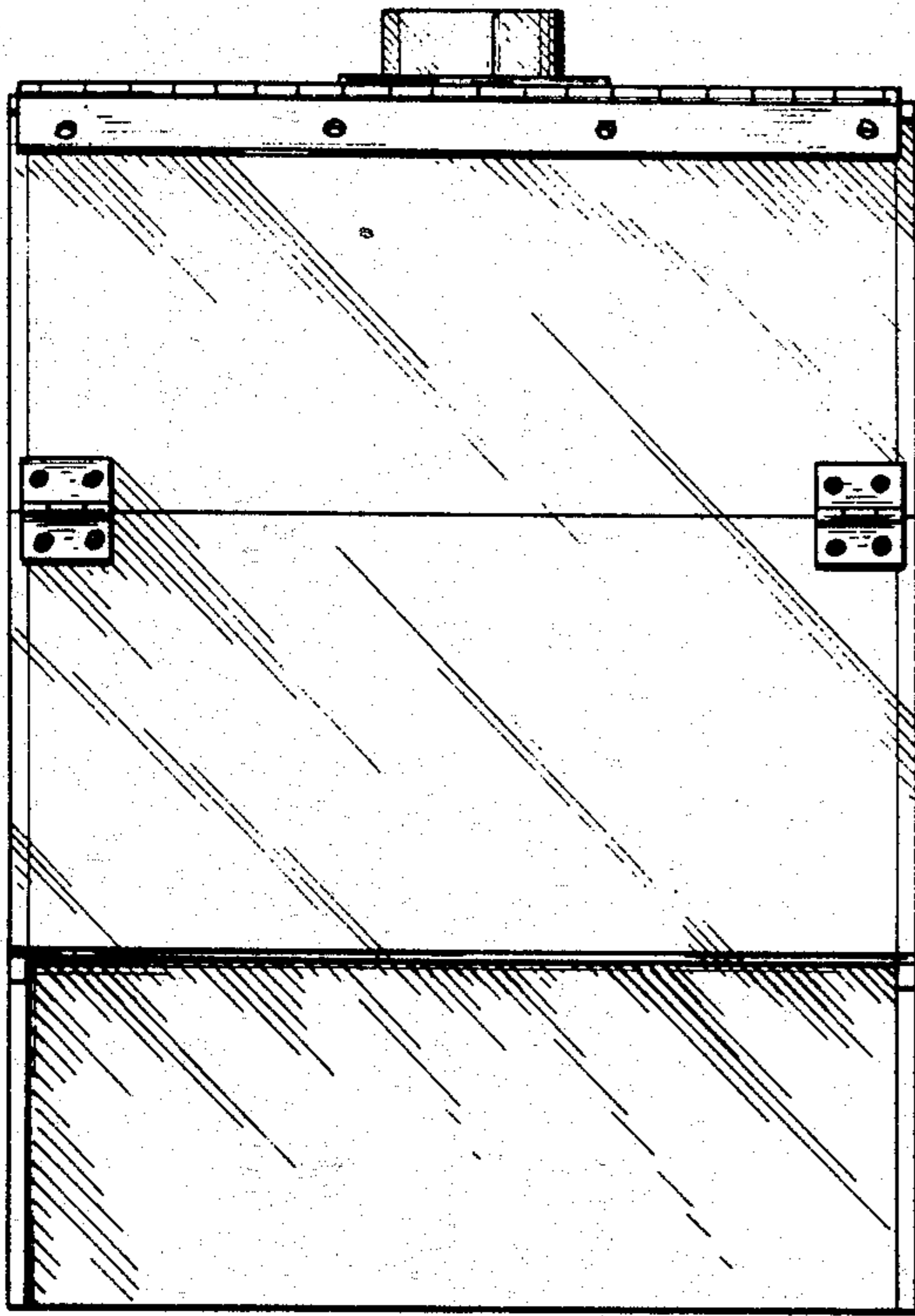




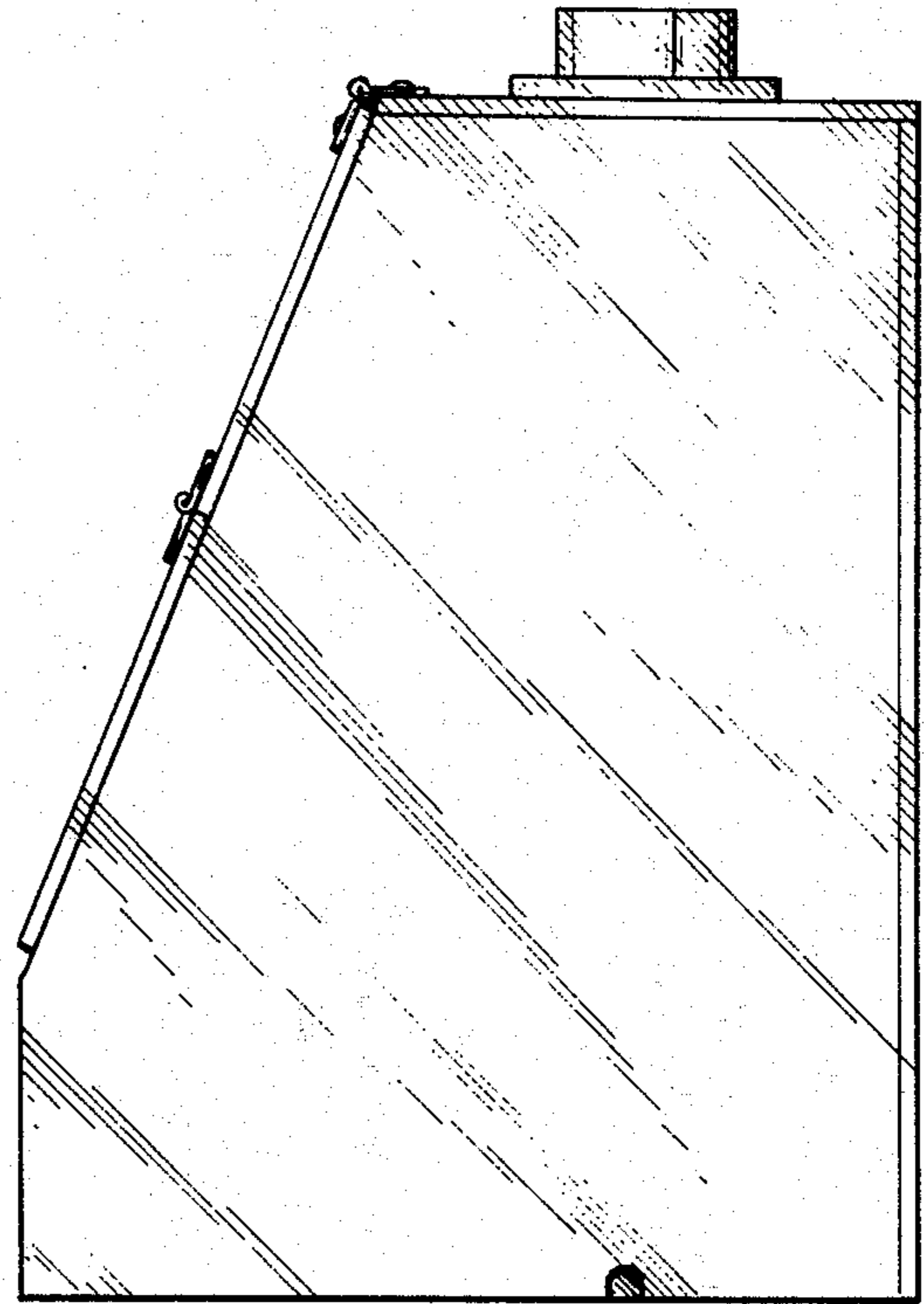
***Fig. 1***



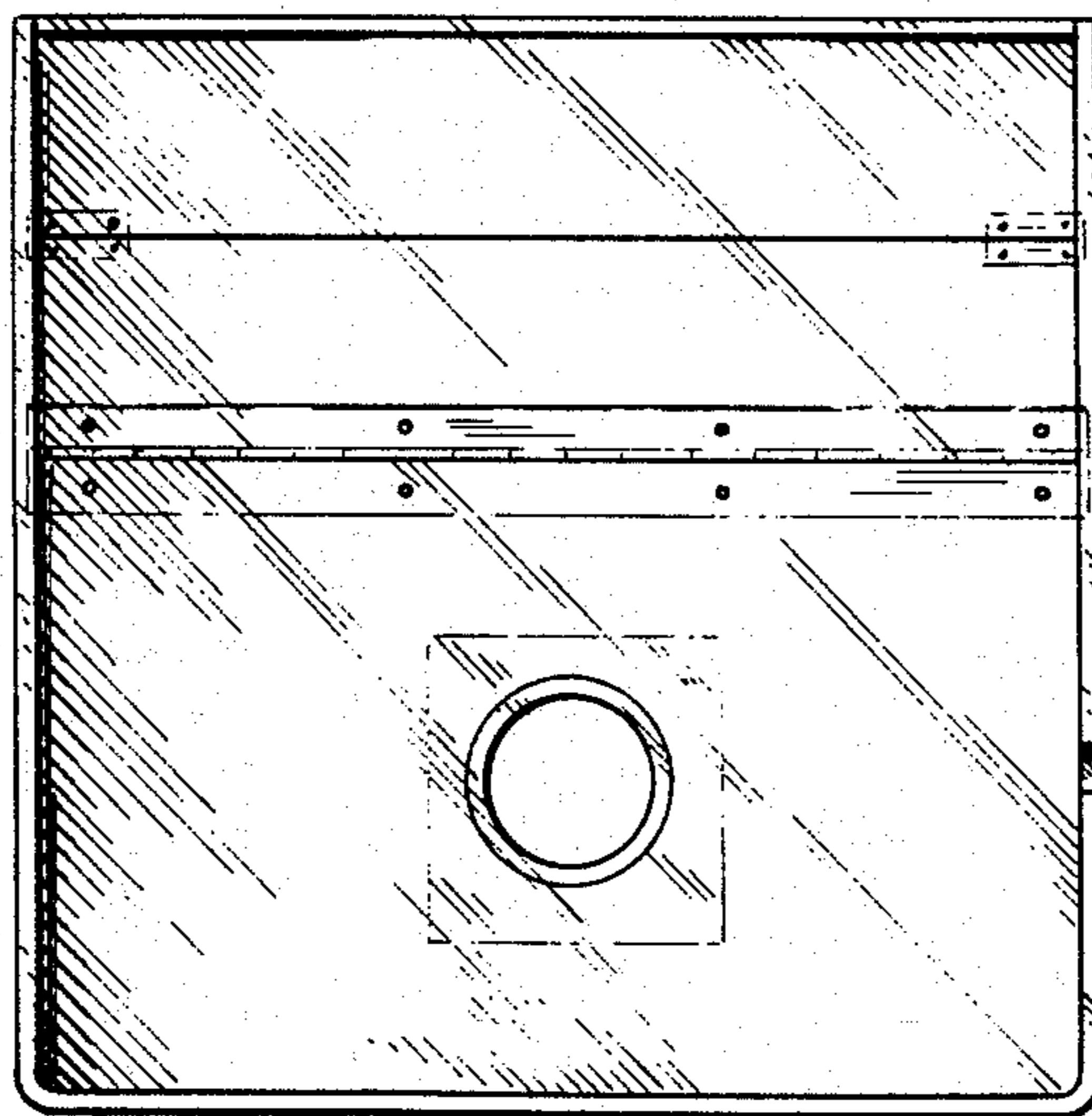
***Fig. 2***



***Fig. 3***



***Fig. 4***



***Fig. 5***