

[54] **BATHTUB**
[75] **Inventor: Hans A. V. Johansson, Eslöv, Sweden**
[73] **Assignee: Arjo Instrument AB, Eslöv, Sweden**
[**] **Term: 14 Years**
[21] **Appl. No.: 580,008**
[22] **Filed: Feb. 14, 1984**
[52] **U.S. Cl. D23/56**
[58] **Field of Search D23/55, 56; D24/38; 4/538, 541, 544, 559, 571, 573-579, 584, 589, 590, 592, 594**

2,237,435 4/1941 Ille 4/544
3,441,015 4/1969 Oatman et al. 4/544

Primary Examiner—James R. Largen
Attorney, Agent, or Firm—Schwartz, Jeffery, Schwaab, Mack, Blumenthal & Evans

[57] **CLAIM**

The ornamental design for a bathtub, as shown and described.

DESCRIPTION

FIG. 1 is a front elevational view of a bathtub showing my new design;
FIG. 2 is a right side elevational view thereof;
FIG. 3 is a left side elevational view thereof;
FIG. 4 is a rear elevational view thereof;
FIG. 5 is a top plan view thereof;
FIG. 6 is a bottom plan view thereof;
FIG. 7 is a perspective view taken from the top, front and right side thereof; and
FIG. 8 is a perspective view taken from the top, rear and right side thereof.

[56] **References Cited**
U.S. PATENT DOCUMENTS
D. 247,044 1/1978 Johansson D23/56
D. 267,033 11/1982 Koet D23/56
D. 270,561 9/1983 Brossier D23/56
D. 278,929 5/1985 Burgess D23/56

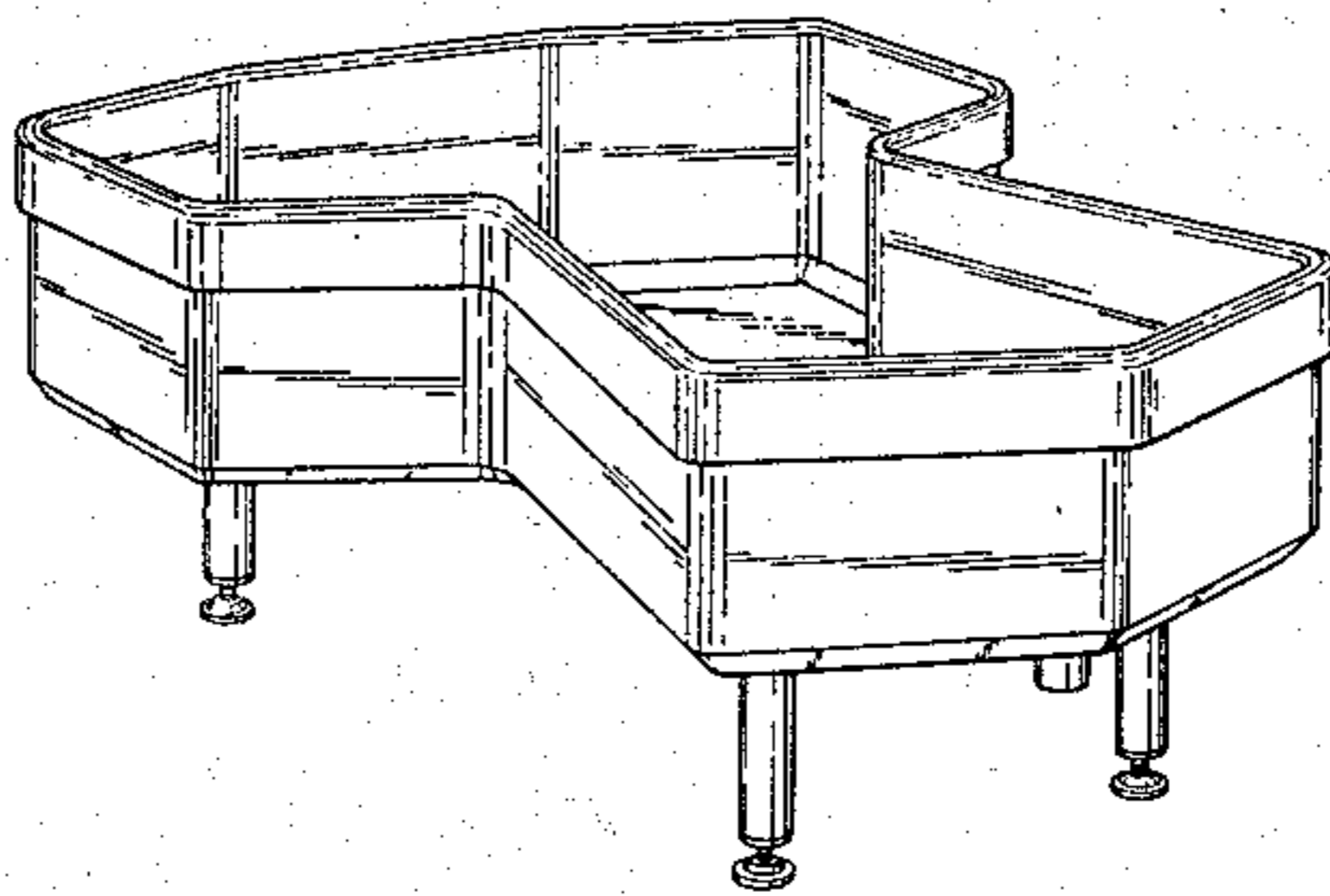
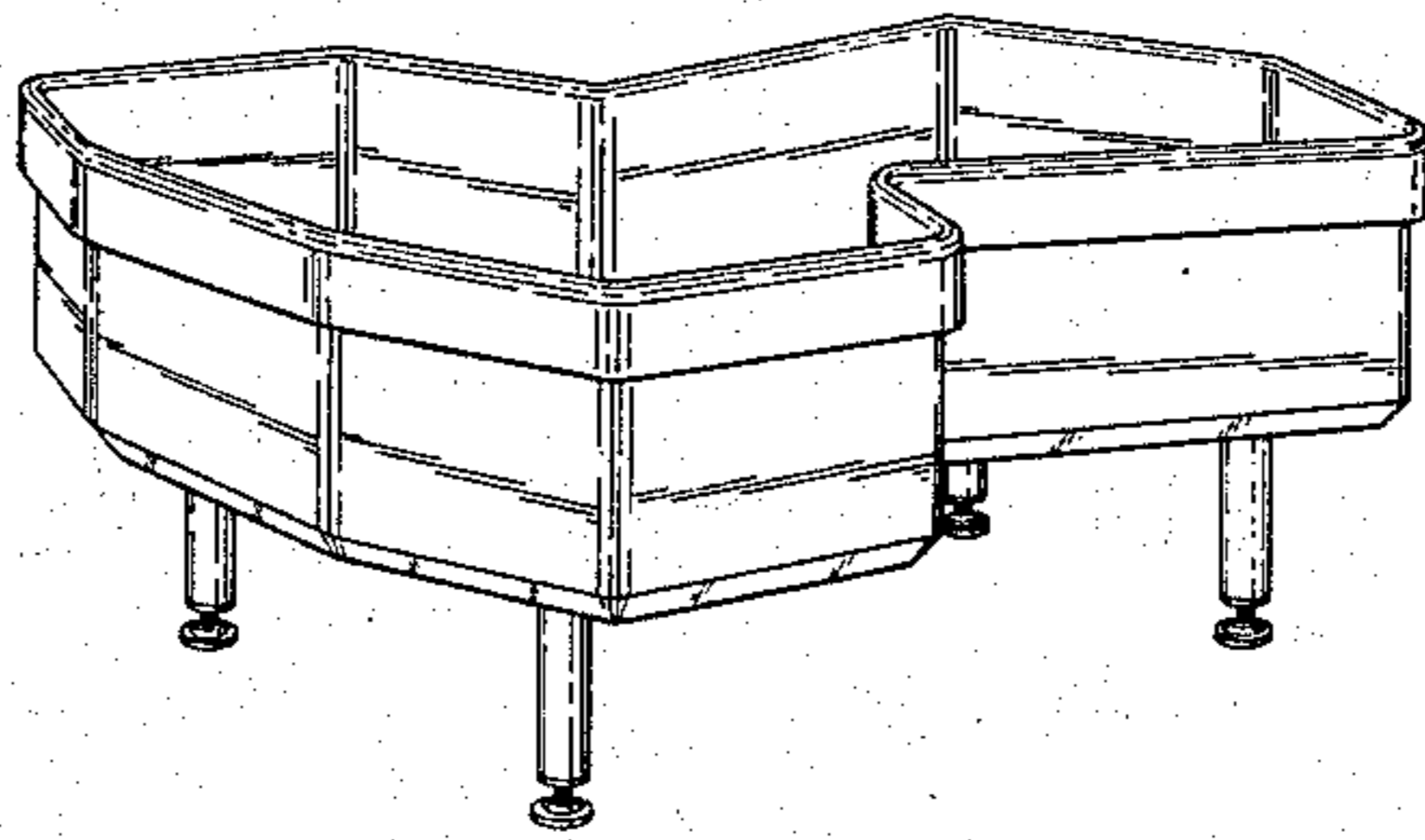


FIG. 1

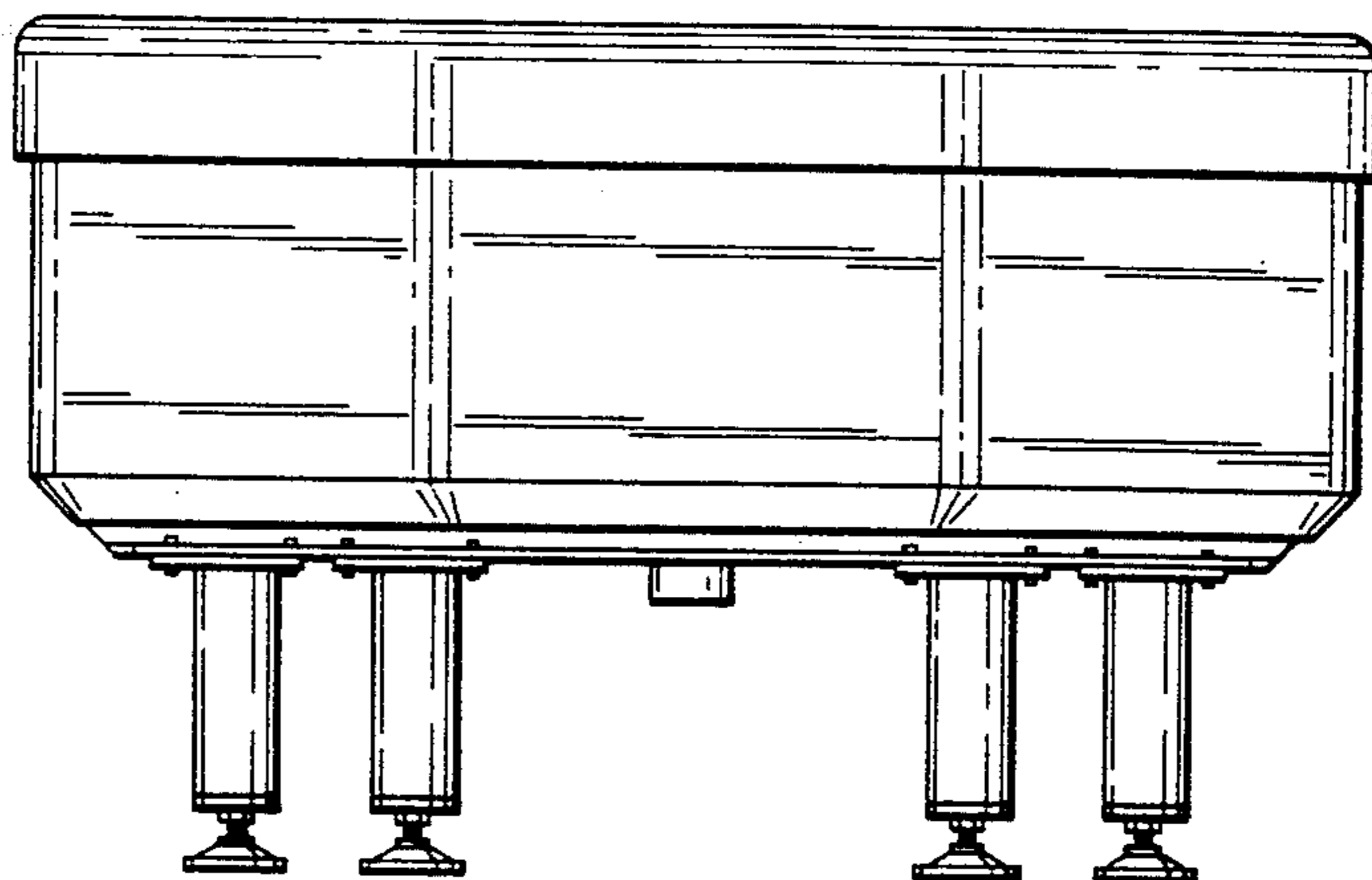


FIG. 2

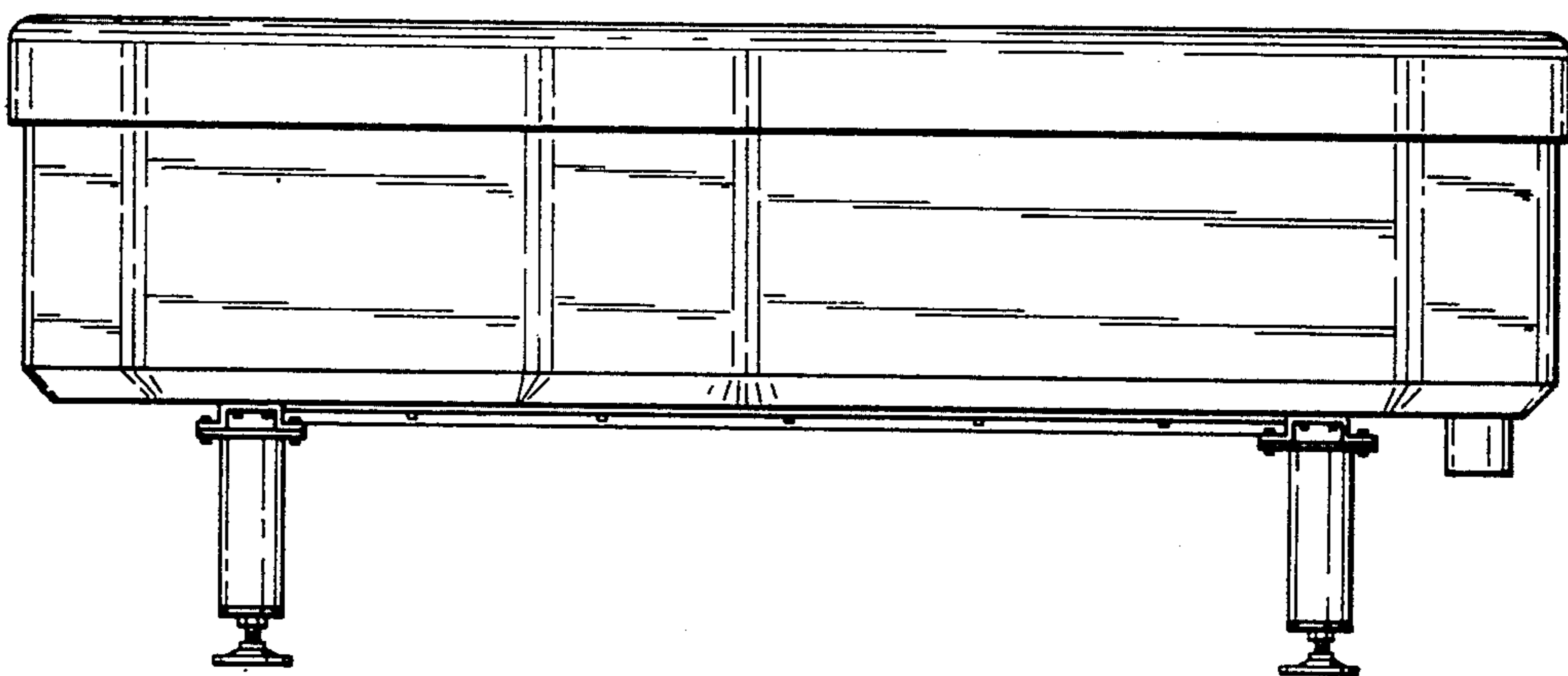


FIG. 3

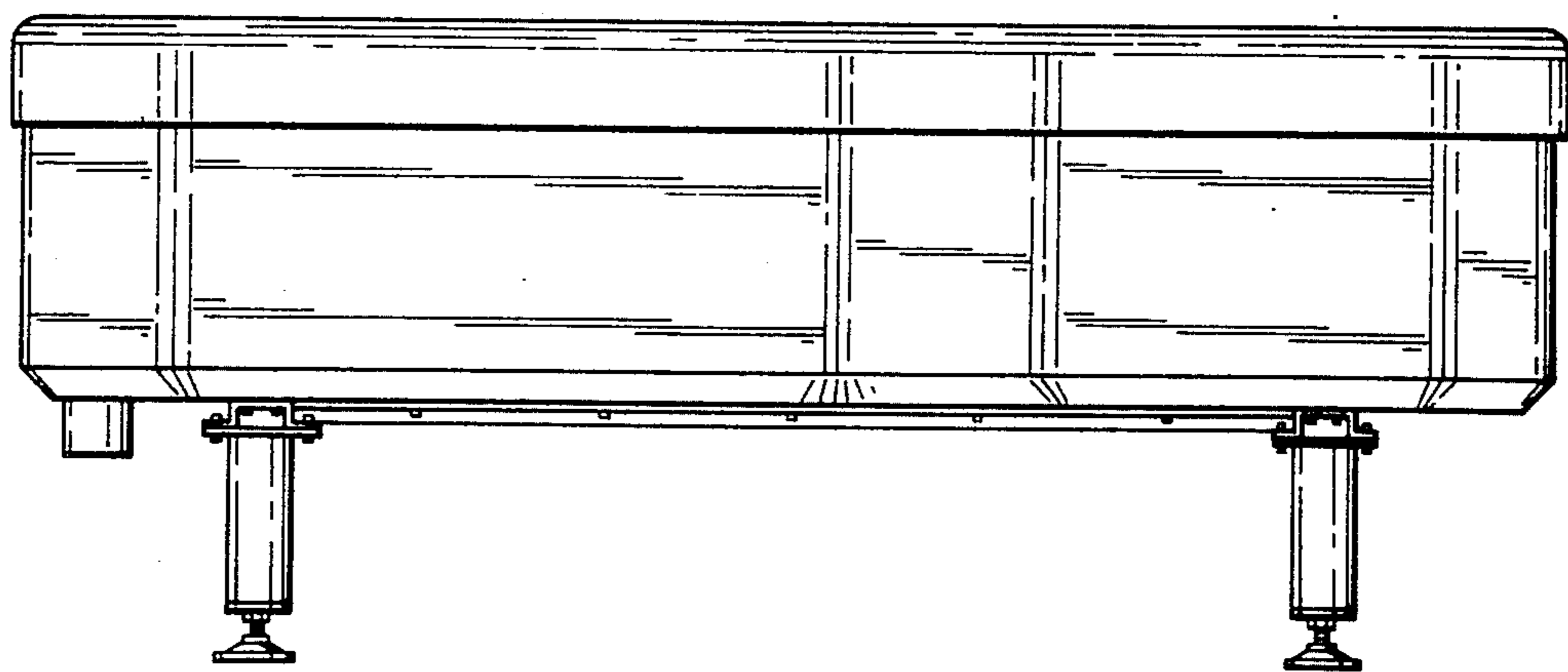


FIG. 4

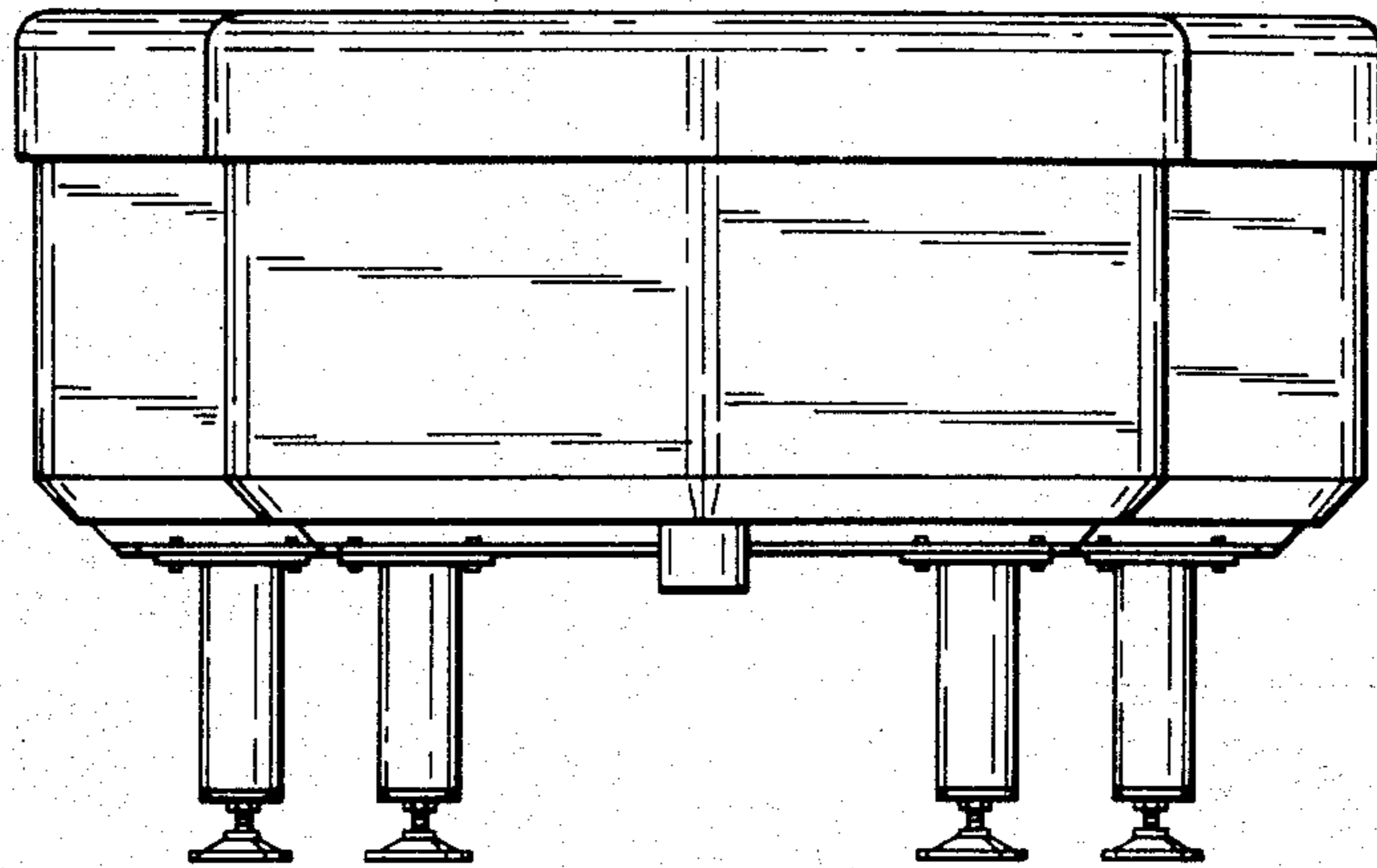


FIG. 5

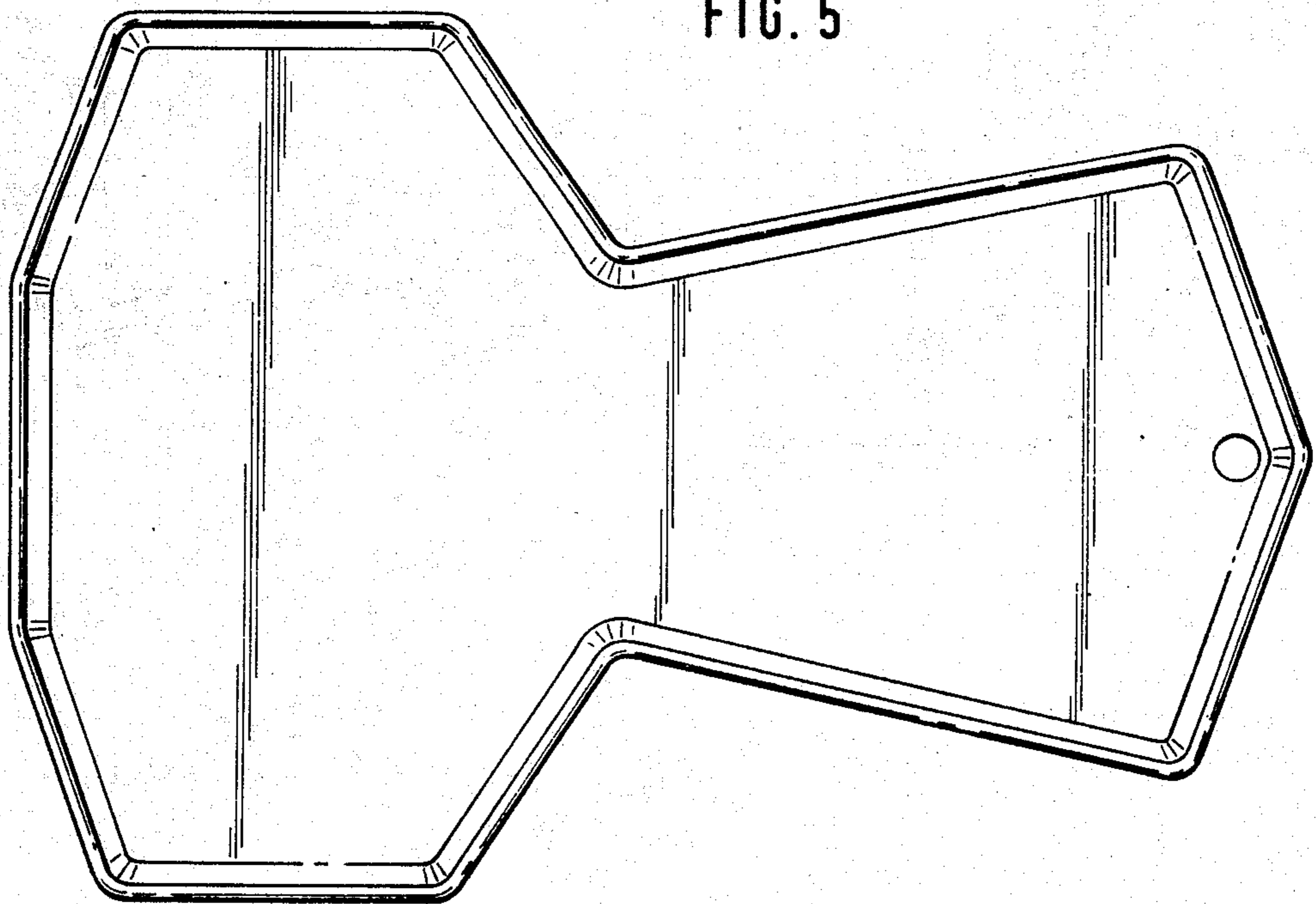


FIG. 6

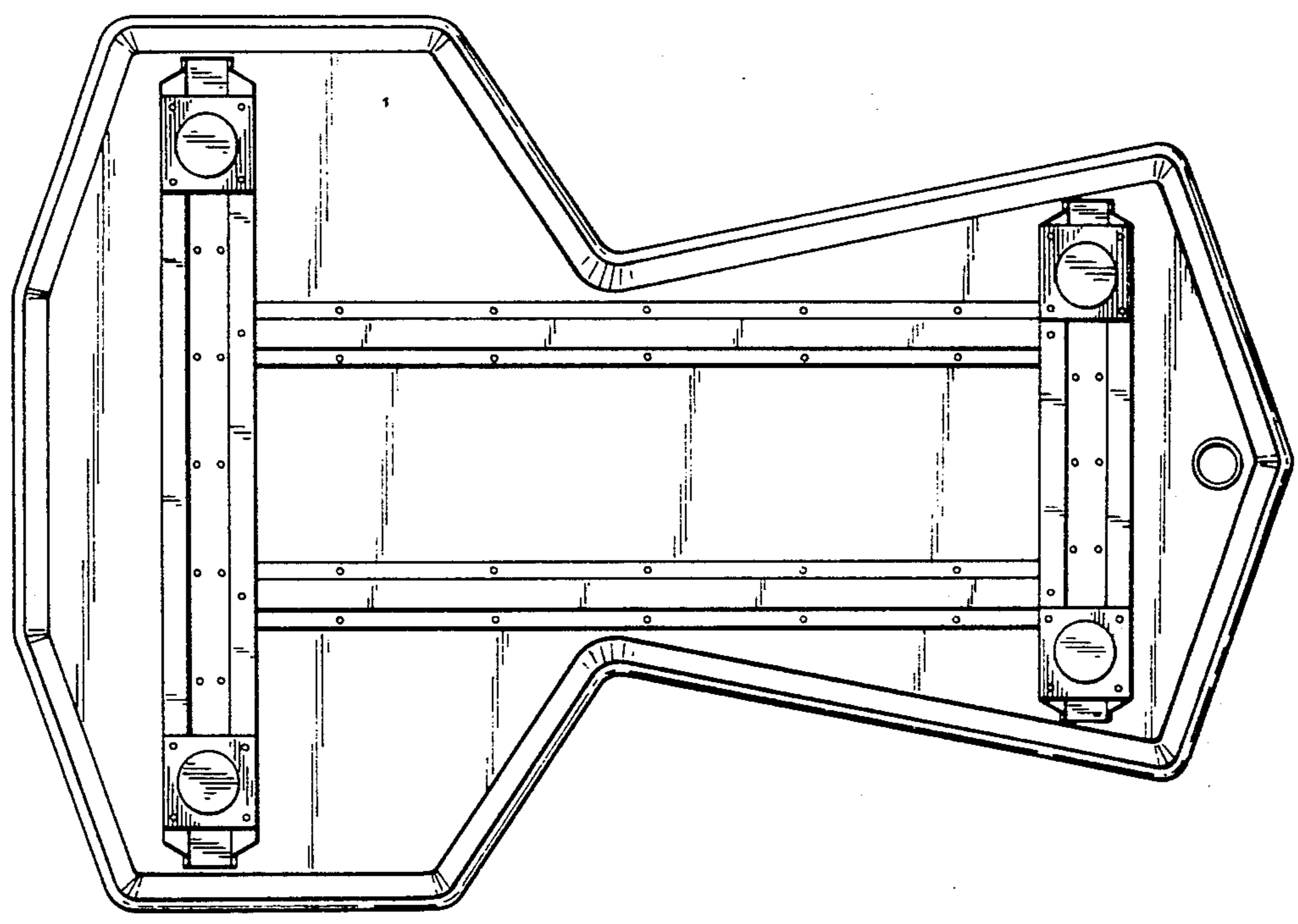


FIG. 7

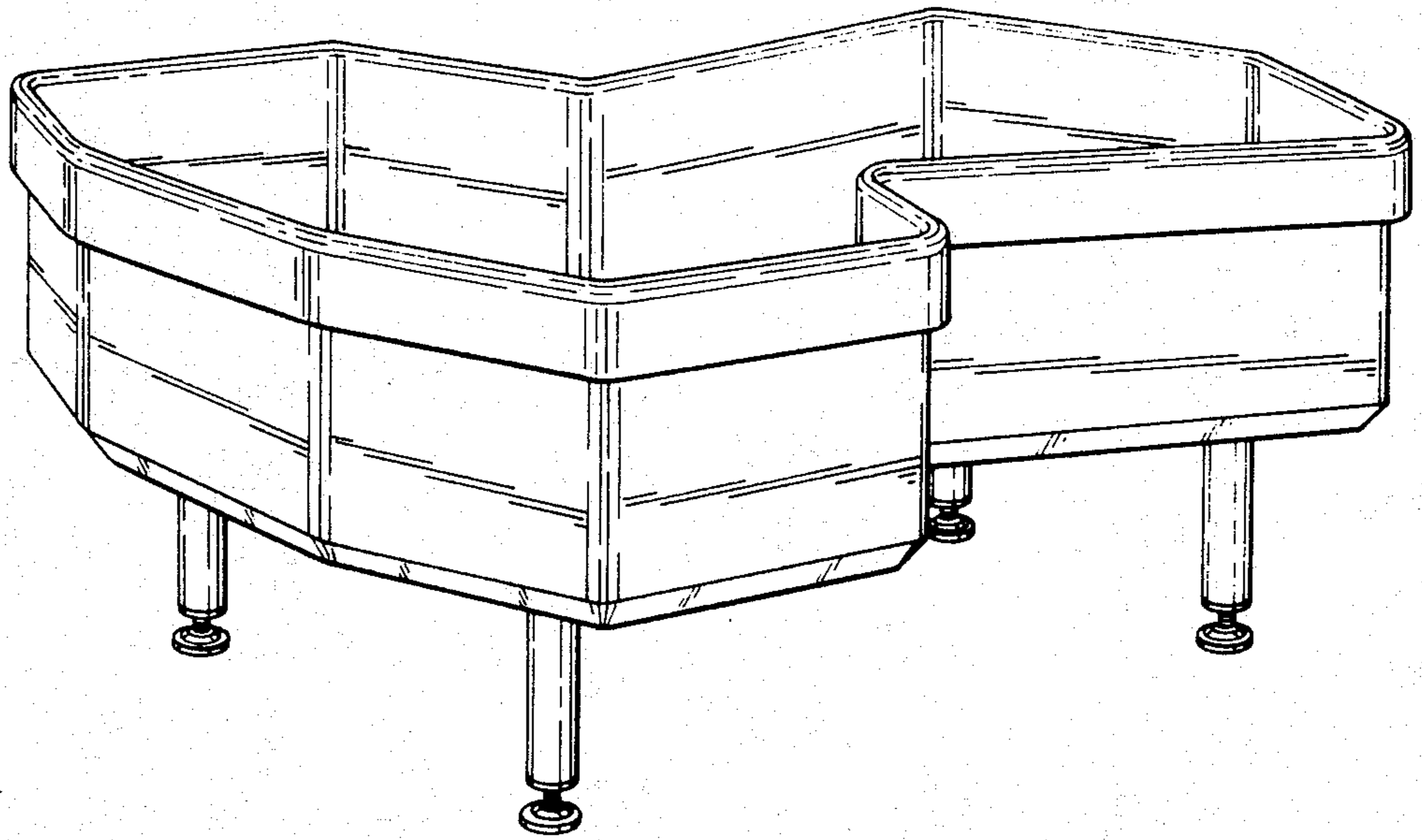


FIG. 8

