

[54] **WALKING STILT**
[75] **Inventor: Mark Brantingham, 600 N. Meridian Rd., Youngstown, Ohio 44509**
[73] **Assignee: Mark Brantingham, Youngstown, Ohio**
[**] **Term: 14 Years**
[21] **Appl. No.: 690,775**
[22] **Filed: Jan. 11, 1985**
[52] **U.S. Cl. D21/72**
[58] **Field of Search D21/72; D2/310, 311; 272/70, 70.1.70.2, 70.3, 70.4**

D. 255,468 6/1980 Ricca et al. D21/72
1,078,962 11/1913 Schmid 272/70.1
3,201,876 8/1965 Leumi 272/70.1
3,831,937 8/1974 Jones 272/70.1
4,032,140 6/1977 Davis et al. 272/70.1

Primary Examiner—Charles A. Rademaker
Attorney, Agent, or Firm—Harpman & Harpman

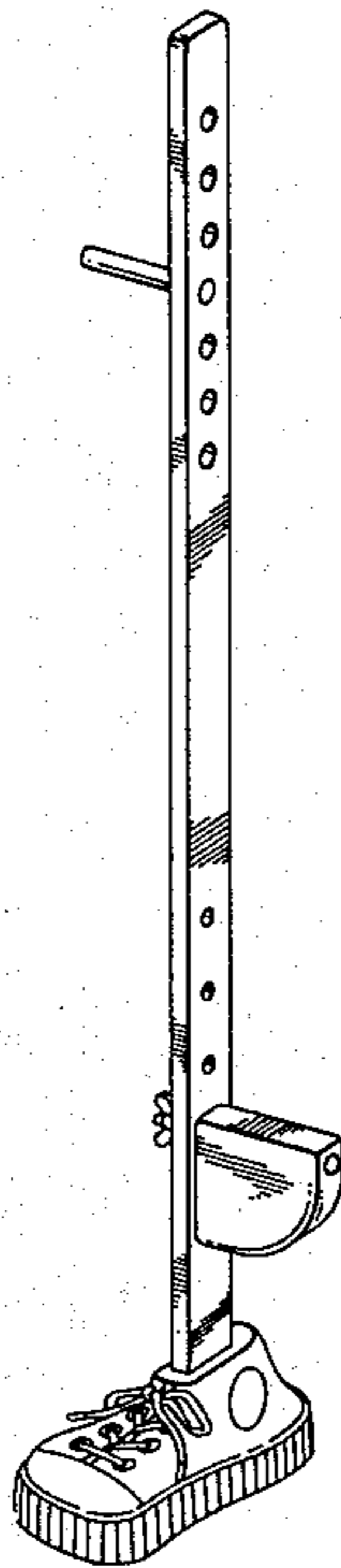
[57] **CLAIM**

The ornamental design for walking stilt, as shown and described.

DESCRIPTION

FIG. 1 is a front perspective view of a walking stilt showing my new design;
FIG. 2 is a front perspective view of a modified form of the design shown in FIG. 1; and,
FIG. 3 is a rear perspective view thereof.

[56] **References Cited**
U.S. PATENT DOCUMENTS
D. 250,857 1/1979 Procter et al. D2/311



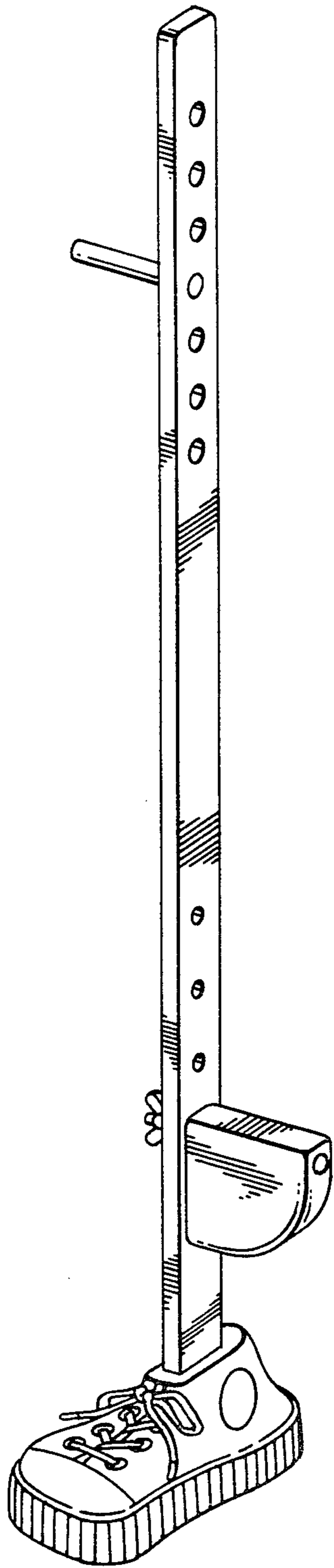


FIG. 1

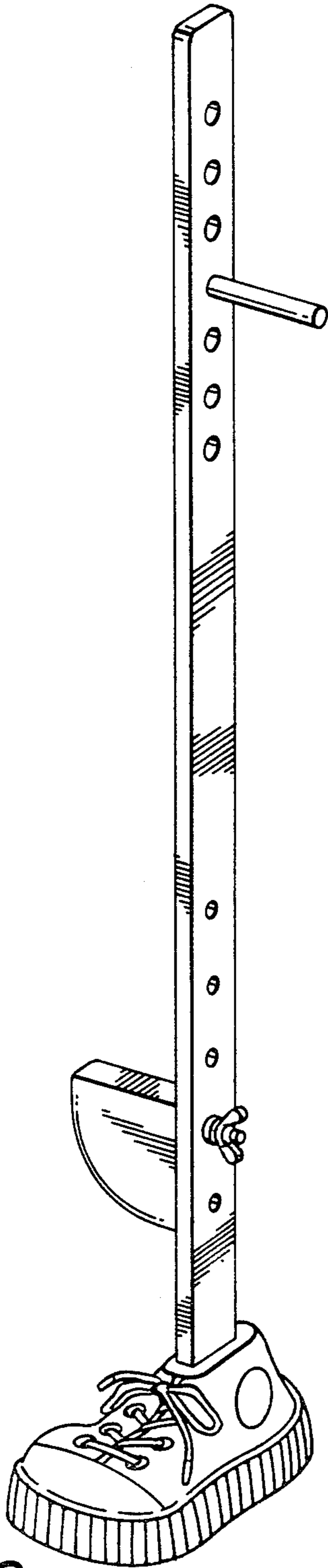


FIG. 2

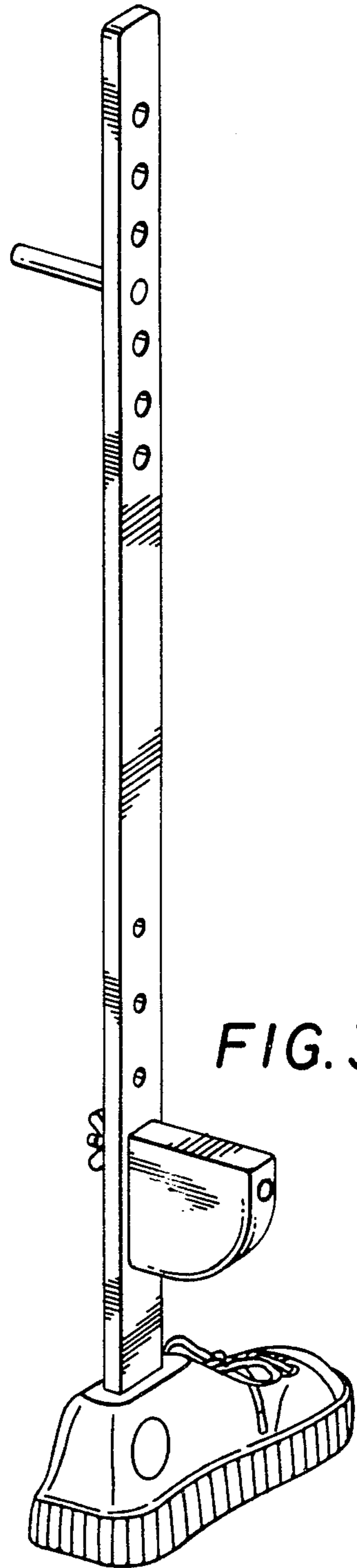


FIG. 3