

[54] LABEL HOLDER FOR PEGBOARD DISPLAY UNIT

[76] Inventor: Alfred A. Burrell, 10223-133th Street, Edmonton, Alberta, Canada

[**] Term: 14 Years

[21] Appl. No.: 497,268

[22] Filed: May 23, 1983

[52] U.S. Cl. D20/43

[58] Field of Search D20/43, 44, 99; 40/10 R, 16, 16.4, 20 R, 20 A

[56] References Cited

U.S. PATENT DOCUMENTS

- 364,196 5/1887 Woltmann 40/16.4 X
- 474,079 5/1892 Brown 40/16.4 X

- 891,840 6/1908 Knoder 40/16.4
- 916,710 3/1909 Janes 40/16.4
- 1,511,028 10/1924 Cooke 40/16.4
- 1,729,249 9/1929 Egan 40/16.4

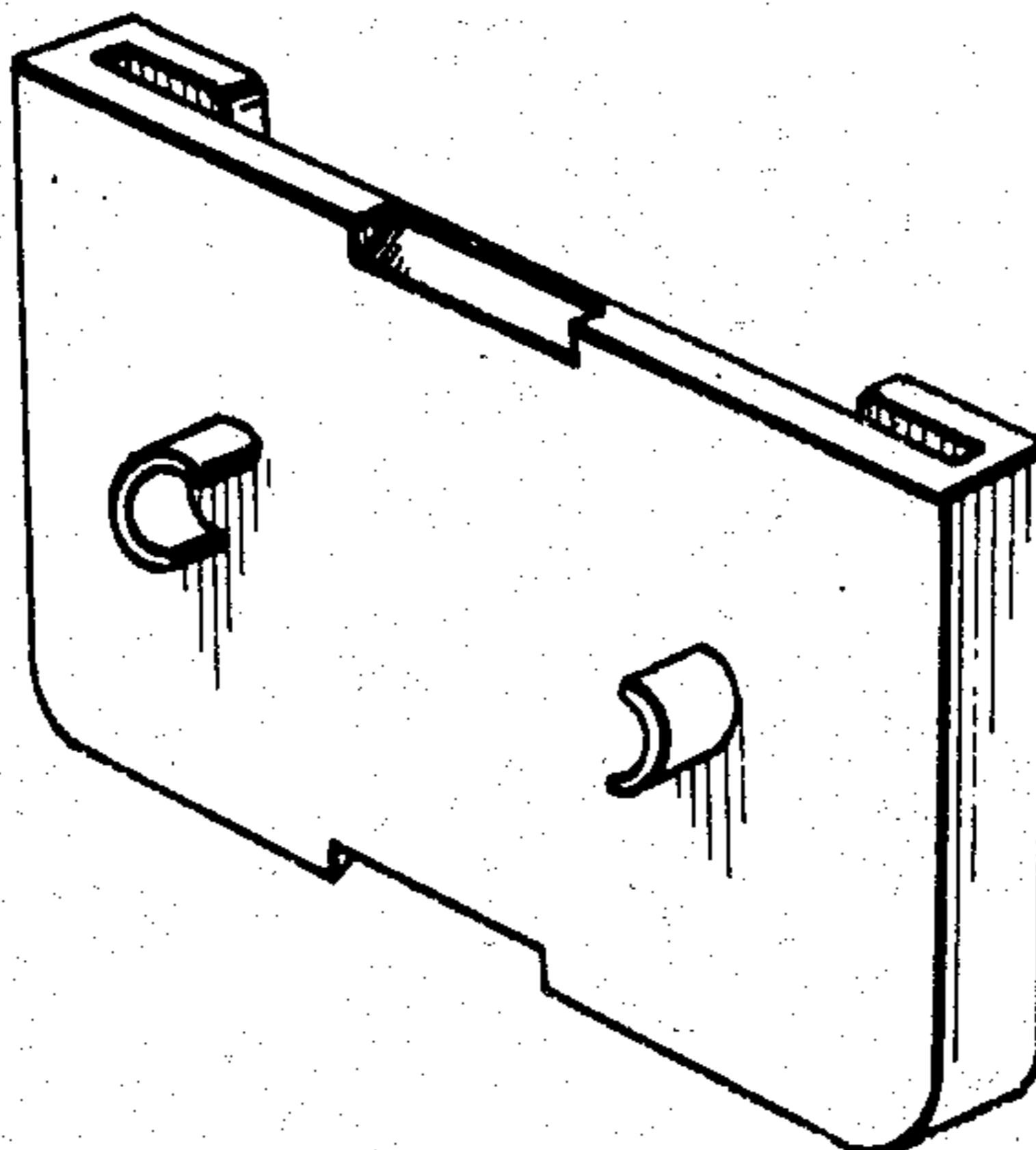
Primary Examiner—Catherine E. Kemper
Attorney, Agent, or Firm—Kenyon & Kenyon

[57] CLAIM

The ornamental design for a label holder for pegboard display unit, as shown and described.

DESCRIPTION

FIG. 1 is a rear perspective view of a label holder for pegboard display unit, showing my new design;
FIG. 2 is a rear elevational view thereof;
FIG. 3 is a front elevational view thereof;
FIG. 4 is a bottom plan view thereof;
FIG. 5 is a top plan view thereof;
FIG. 6 is an end elevational view thereof.



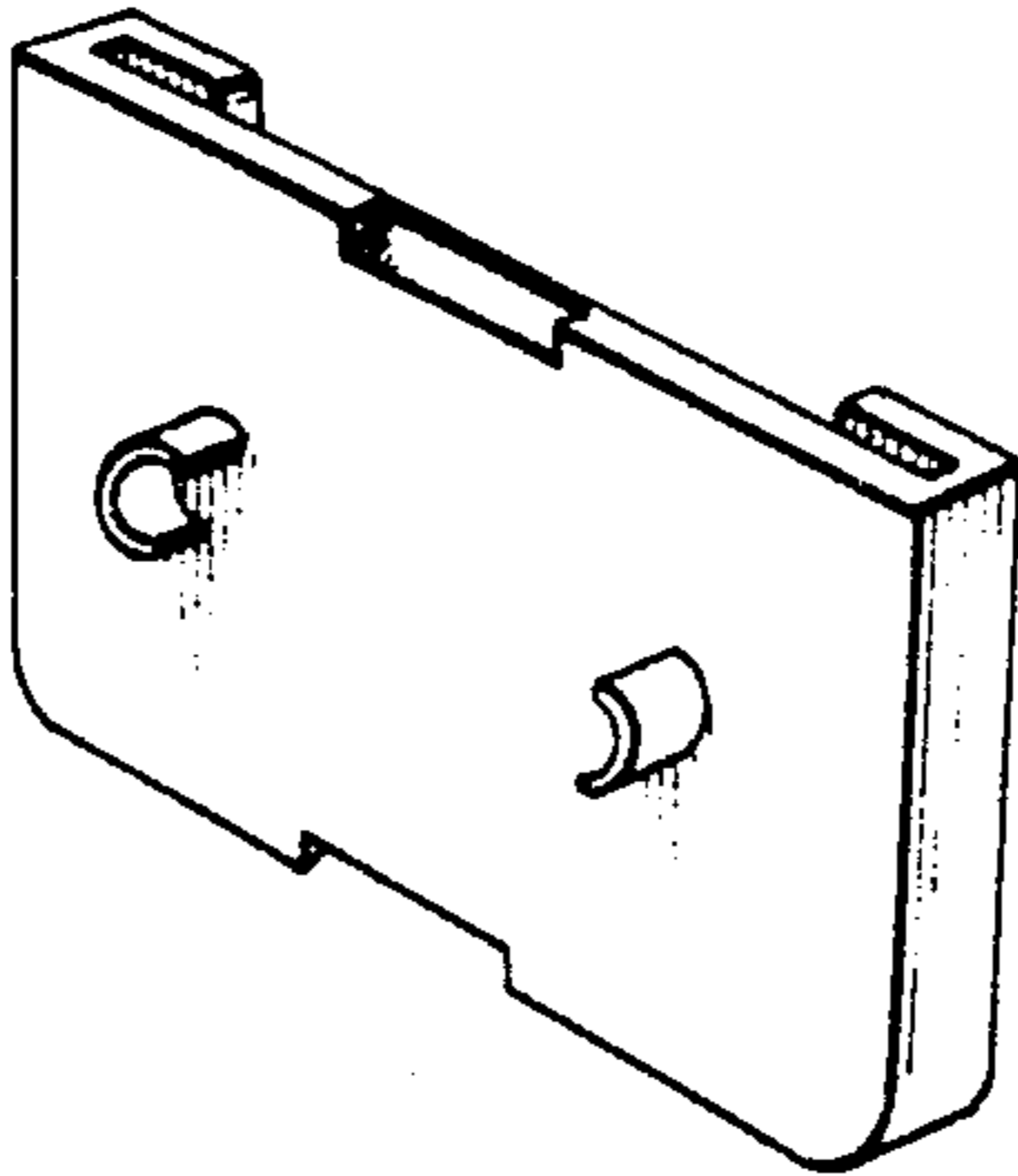


FIG. 1

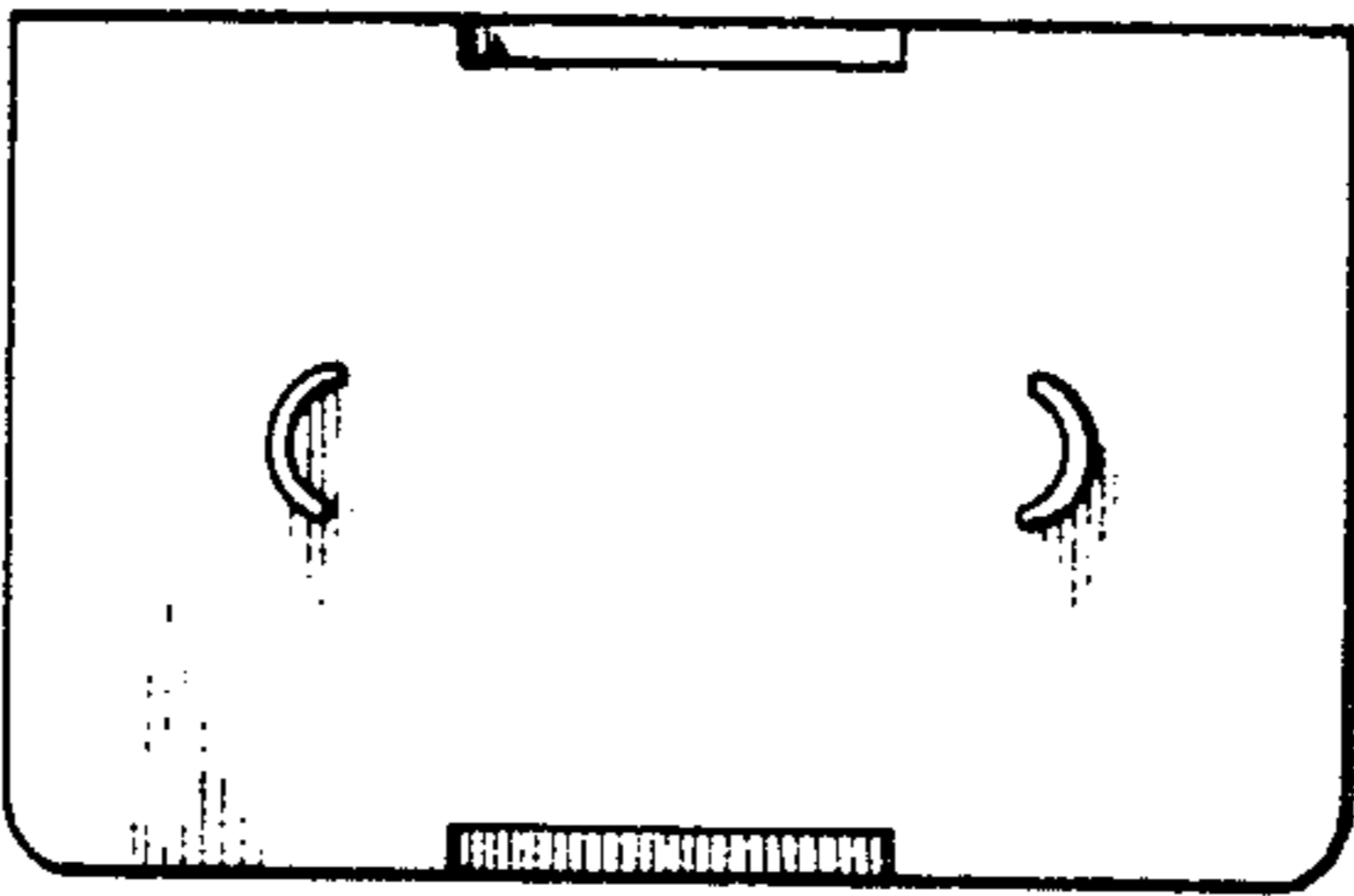


FIG. 2

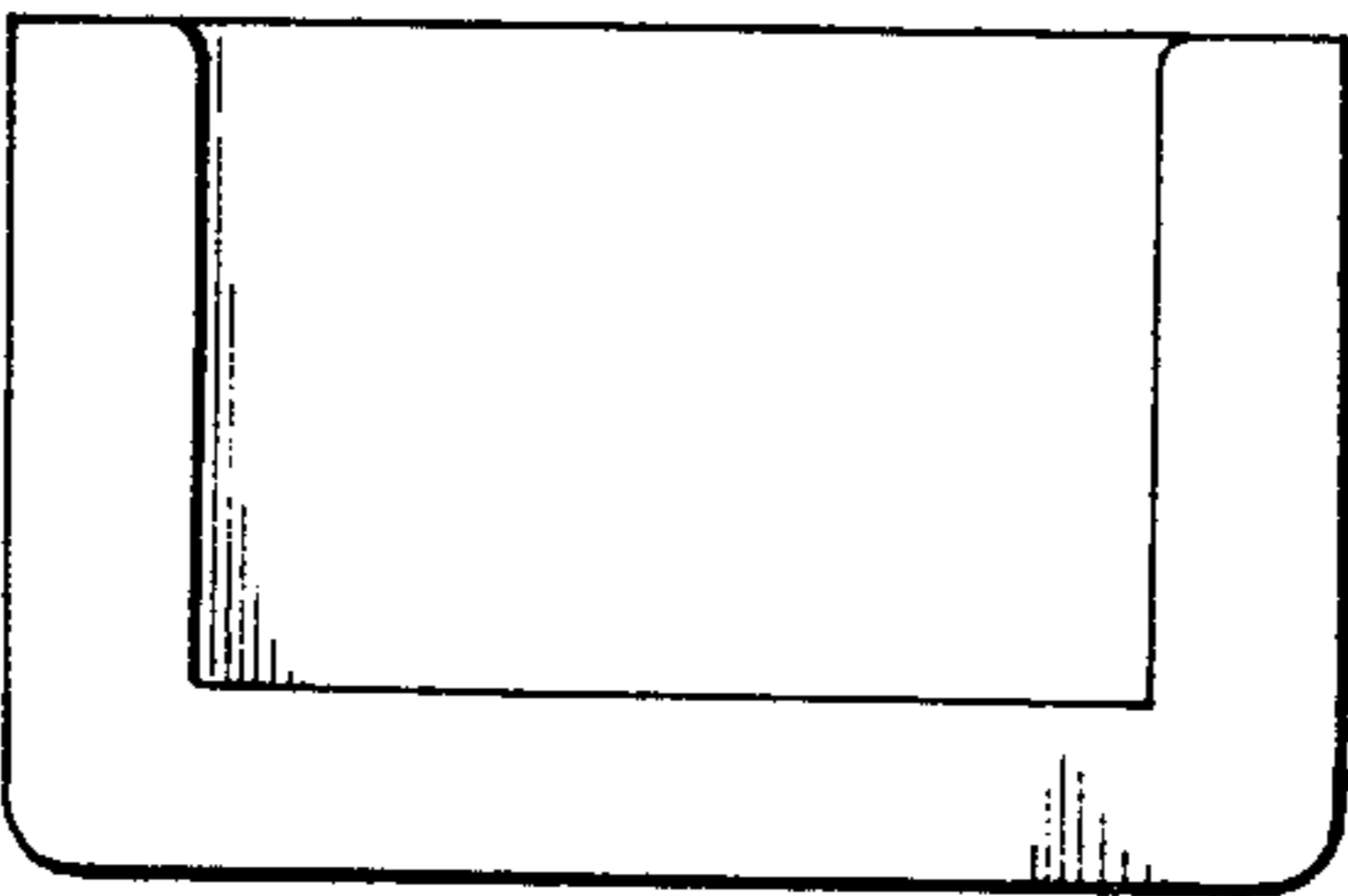


FIG. 3

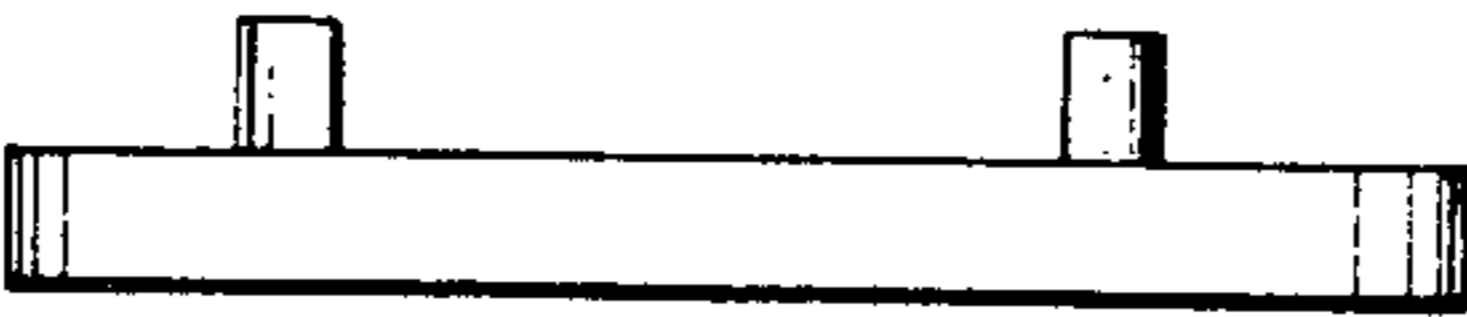


FIG. 4

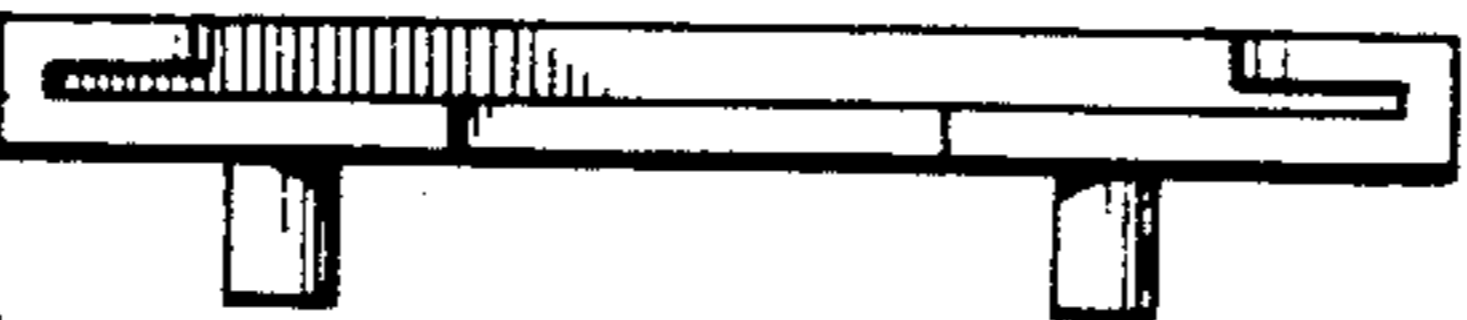


FIG. 5



FIG. 6