

[54] CLIP HOLDER

[76] Inventor: David E. Decker, 9785 Samoa Ave., Tujunga, Calif. 91042

[\*\*] Term: 14 Years

[21] Appl. No.: 579,372

[22] Filed: Feb. 13, 1984

[52] U.S. Cl. .... D19/75; D19/77

[58] Field of Search ..... D19/65, 75, 77-85, D19/90, 96-97; 221/244, 197, 198, 279, 280

[56] References Cited

U.S. PATENT DOCUMENTS

- D. 246,657 12/1977 Mende ..... D19/75
- 3,170,596 2/1965 Nyberg ..... 221/197

- 3,422,989 1/1969 Long ..... 221/198
- 3,829,954 8/1974 Takamizawa et al. .... 221/279
- 3,845,882 11/1974 Hass ..... 221/279
- 4,084,864 4/1978 Kisler ..... D19/75
- 4,530,445 7/1985 Decker ..... 221/198

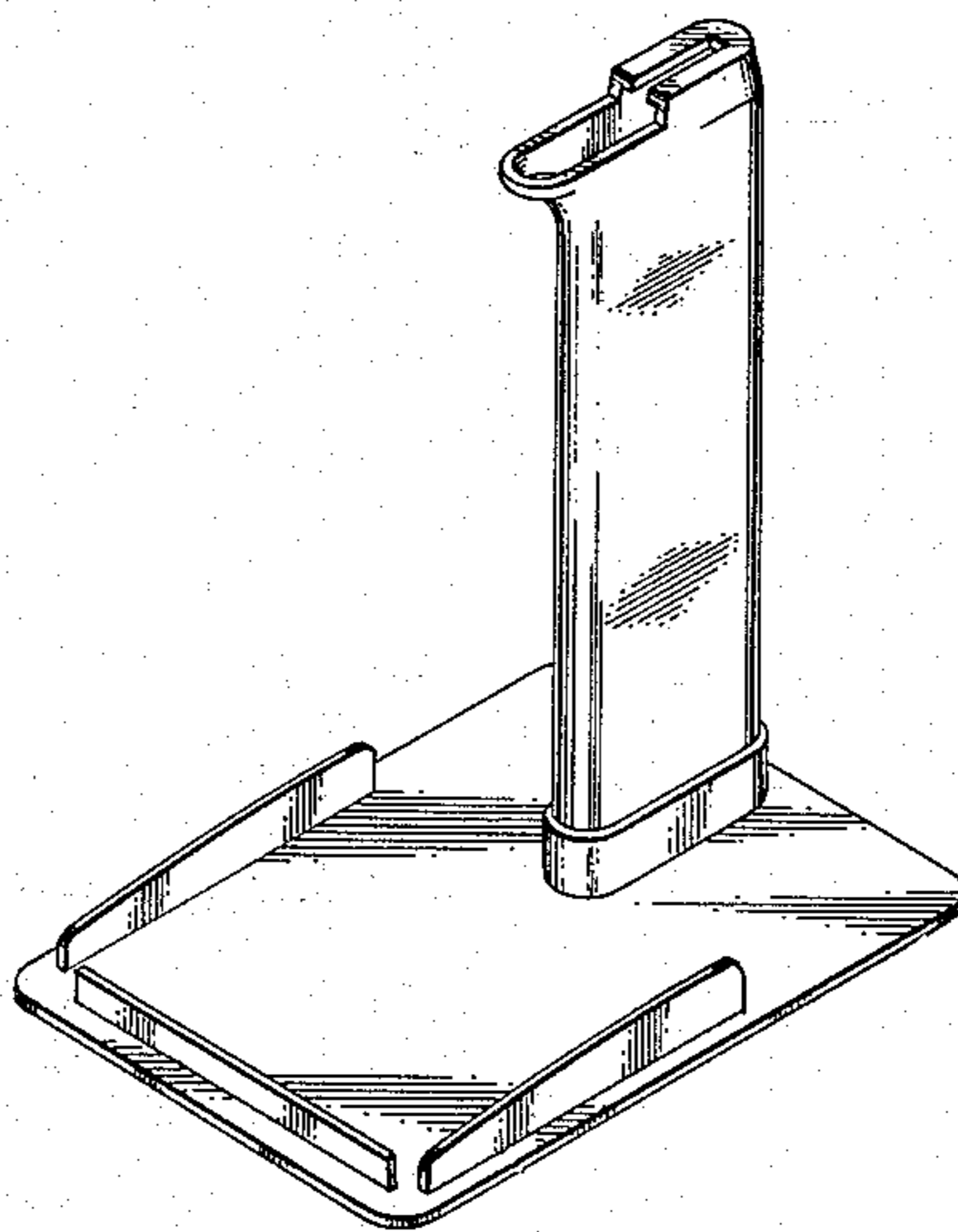
Primary Examiner—George P. Word  
Attorney, Agent, or Firm—Roger A. Marrs

[57] CLAIM

The ornamental design for a clip holder, as shown and described.

DESCRIPTION

FIG. 1 is a perspective view of a clip holder showing my new design;  
FIG. 2 is a left side elevational view thereof; and  
FIG. 3 is a top plan view thereof.



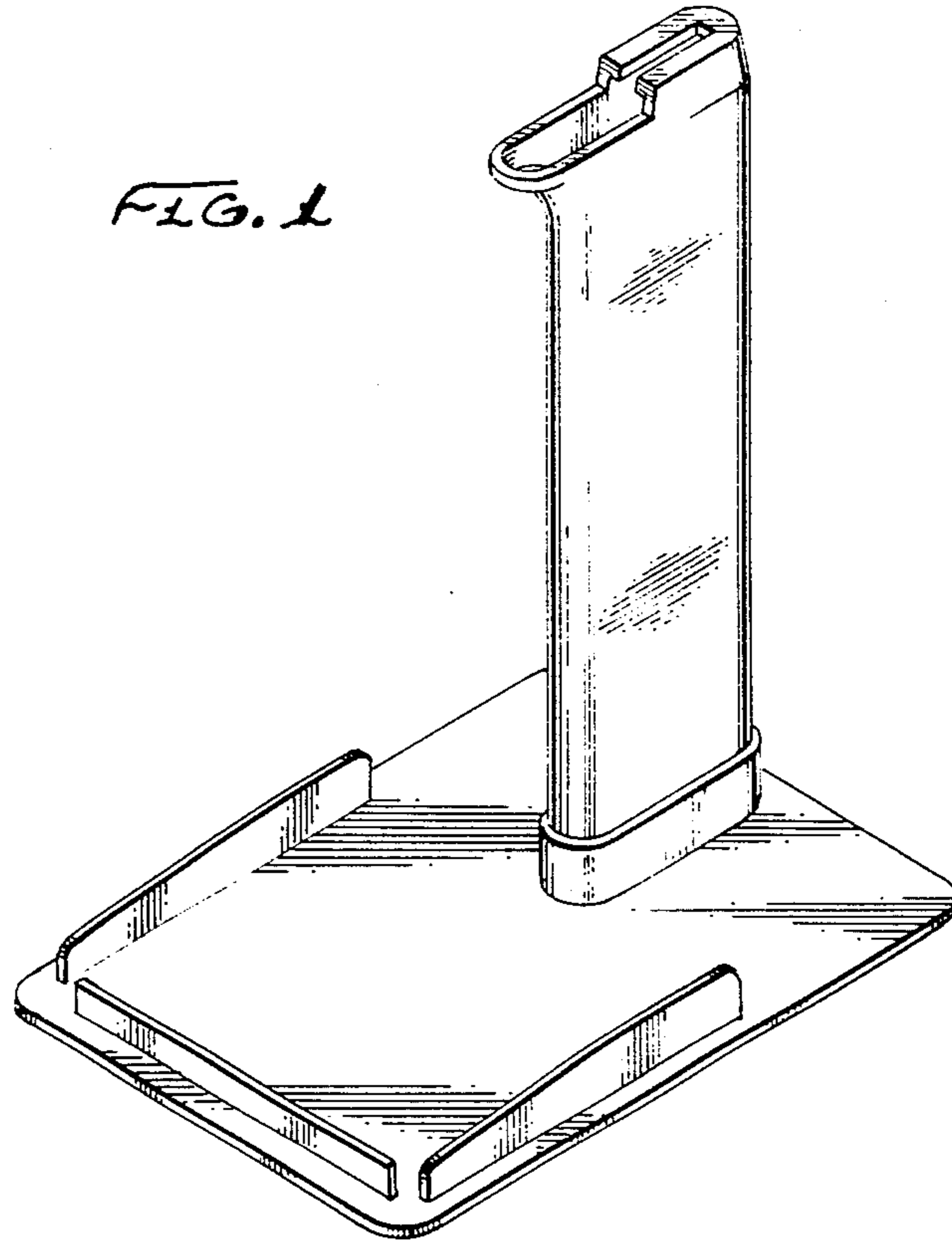


FIG. 2

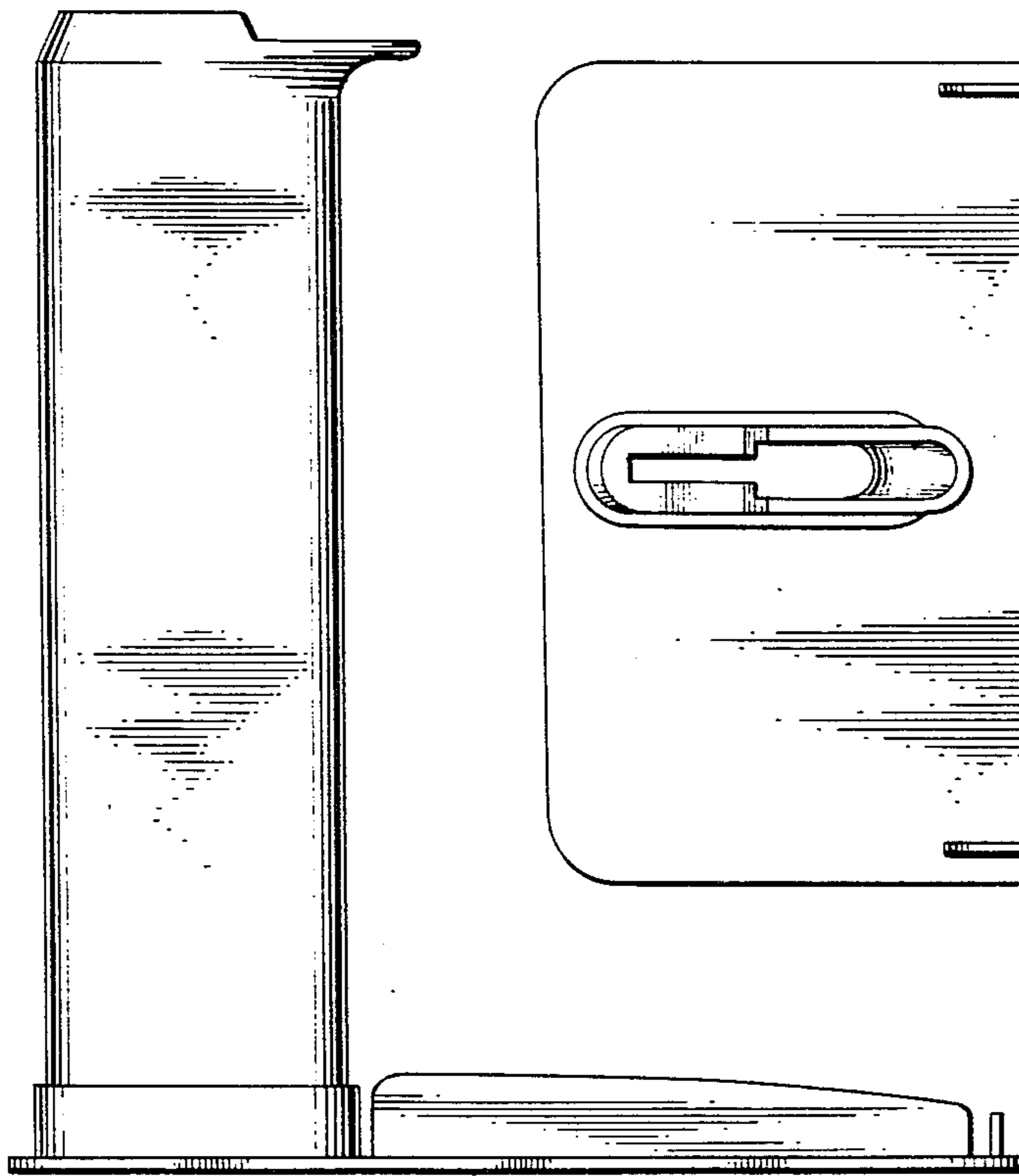


FIG. 3

