

[54] **GRINDING WHEEL FOR A GRINDING MACHINE**

[76] **Inventor: Gunnar Olovsson, P.O. Box 3031, S-981 03 Kiruna, Sweden**

[**] **Term: 14 Years**

[21] **Appl. No.: 546,416**

[22] **Filed: Oct. 28, 1983**

[30] **Foreign Application Priority Data**

Apr. 29, 1983 [SE] Sweden 831221

[52] **U.S. Cl. D15/126**

[58] **Field of Search D15/124-126; 51/72 R, 206 R**

[56] **References Cited**

U.S. PATENT DOCUMENTS

2,150,886	3/1939	Van der Pyl	51/206 R
2,268,663	1/1942	Kusmick	51/206 R
2,877,105	3/1959	Smith	51/206 R
3,427,759	2/1969	Kistler et al.	51/206 R

Primary Examiner—B. J. Bullock
Attorney, Agent, or Firm—Burns, Doane, Swecker & Mathis

[57] **CLAIM**

The ornamental design for a grinding wheel for a grinding machine, as shown and described.

DESCRIPTION

FIG. 1 is a front perspective view of a grinding wheel for a grinding machine showing my new design; FIG. 2 is a rear perspective view thereof.

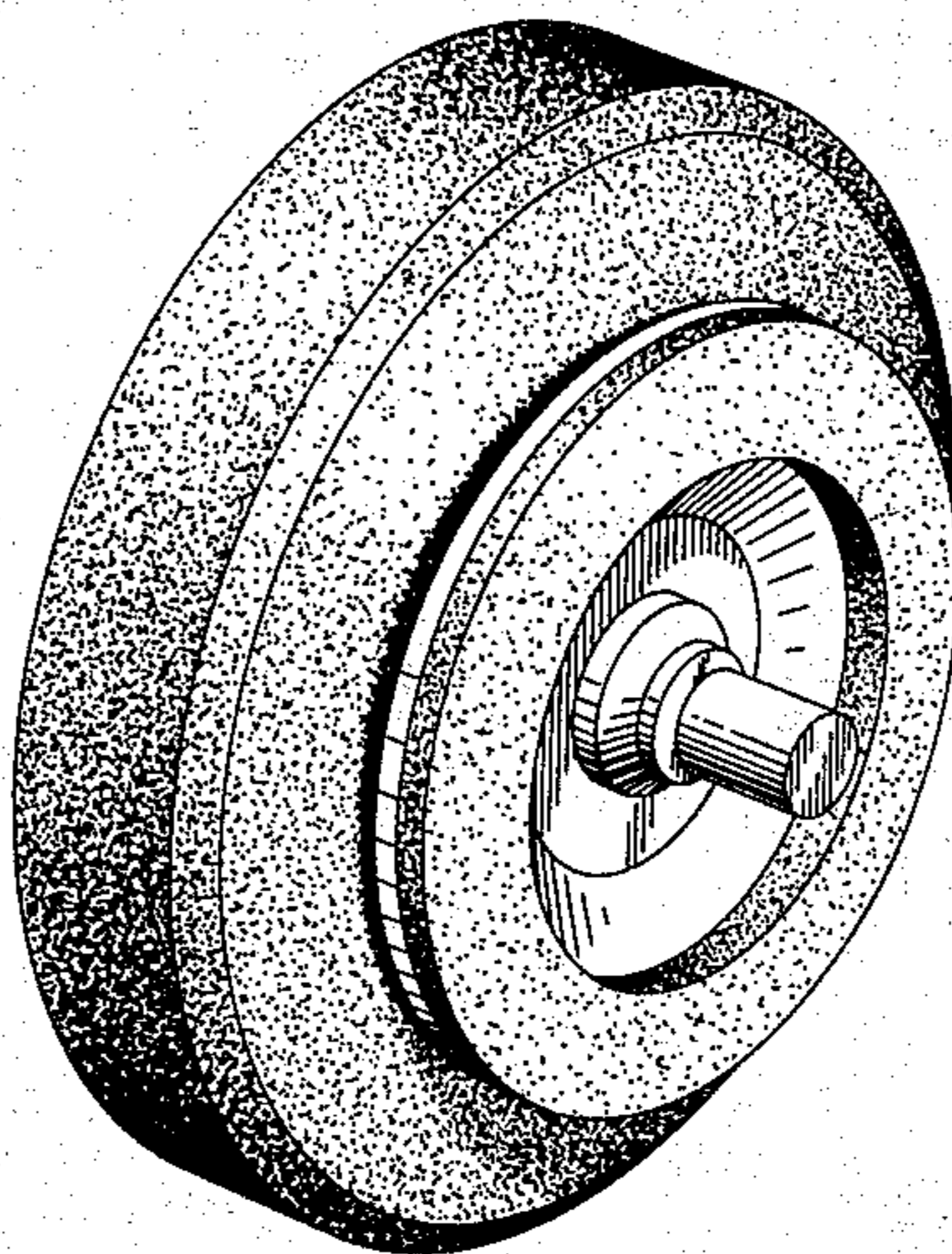


FIG. 1

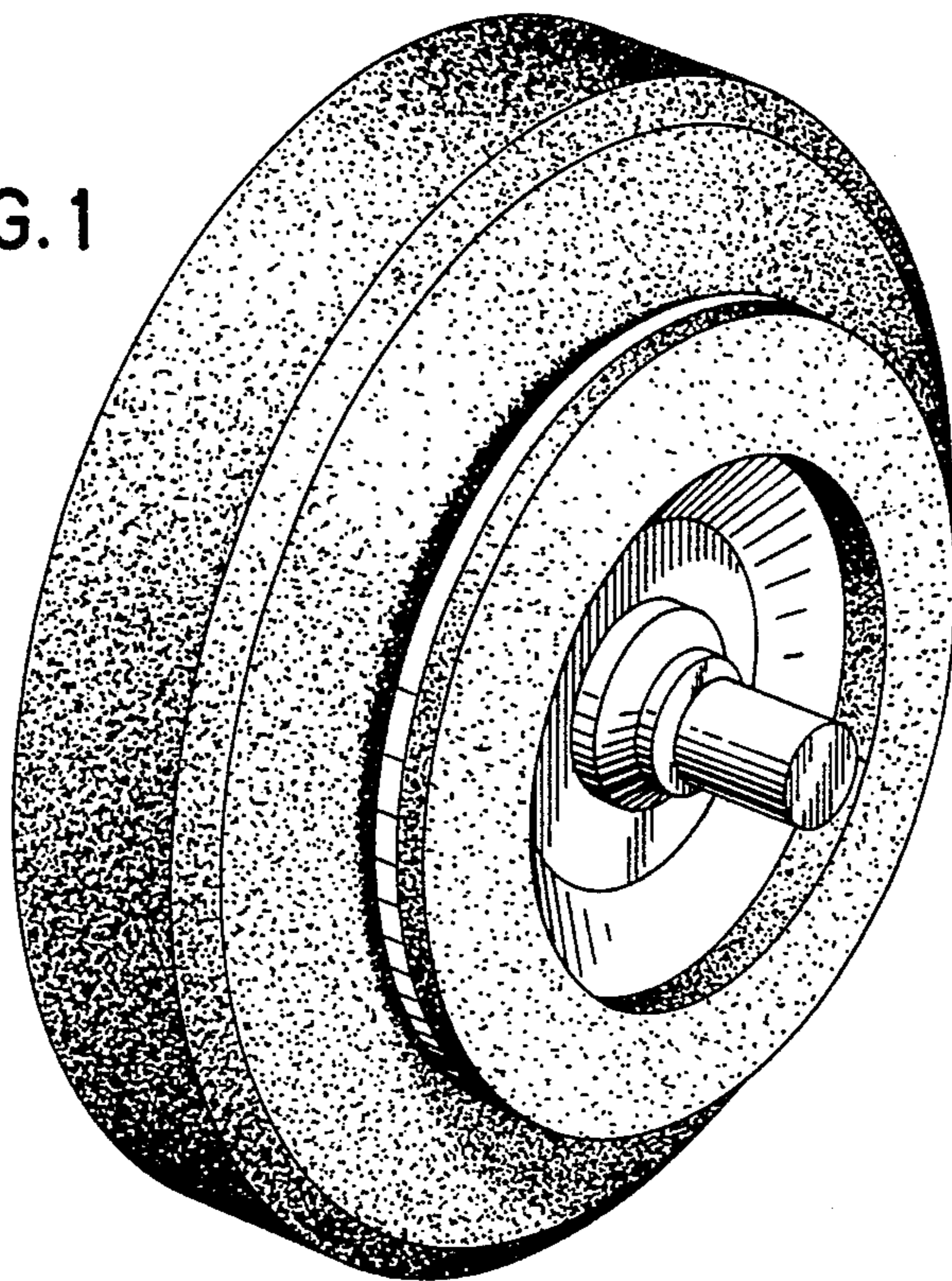


FIG. 2

