

[54] PORTABLE BATTERY POWERED REFRIGERATOR/FREEZER

[76] Inventor: Robert C. Albiez, 50 Grigor Street, Caloundra, Queensland, 4551, Australia

[**] Term: 14 Years

[21] Appl. No.: 630,532

[22] Filed: Jul. 13, 1984

[30] Foreign Application Priority Data

Jan. 20, 1984 [AU] Australia 6346/84

[52] U.S. Cl. D15/81

[58] Field of Search D3/30.1; D7/70; 76-77; D15/79-82, D15/83-85, 88-89, 91; D9/414, 432; 62/292, 371; 271/42, 128-130

[56] References Cited

U.S. PATENT DOCUMENTS

D. 190,006 3/1961 Nelson D15/83
D. 256,587 8/1980 Tatsumi D15/83

2,169,030 8/1939 Robrahn 217/42
2,522,623 2/1948 Likes et al. D15/83
3,959,982 6/1976 Denis et al. 62/371

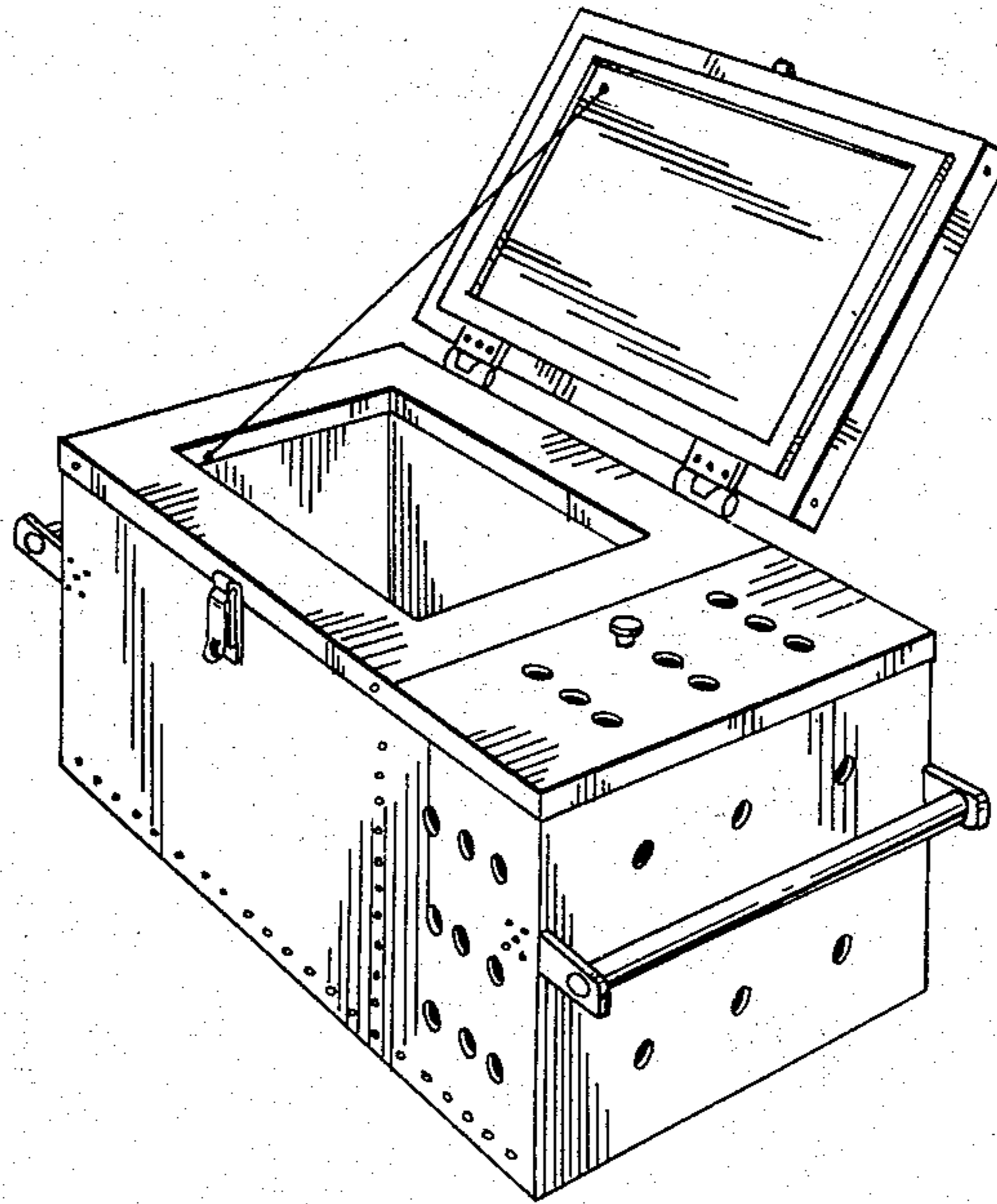
Primary Examiner—Wallace R. Burke
Assistant Examiner—Ruth E. Takemoto
Attorney, Agent, or Firm—Kimmel, Crowell & Weaver

[57] CLAIM

The ornamental design for portable battery powered refrigerator/freezer, as shown.

DESCRIPTION

FIG. 1 is a side elevational view of a portable battery powered refrigerator/freezer showing my new design; FIG. 2 is a top plan view thereof; FIG. 3 is an elevational view thereof from one end; FIG. 4 is an elevational view thereof from the other end; FIG. 5 is a perspective view thereof from one side; FIG. 6 is a perspective view thereof from the other side; and FIG. 7 is a perspective view thereof from one end with the door open.



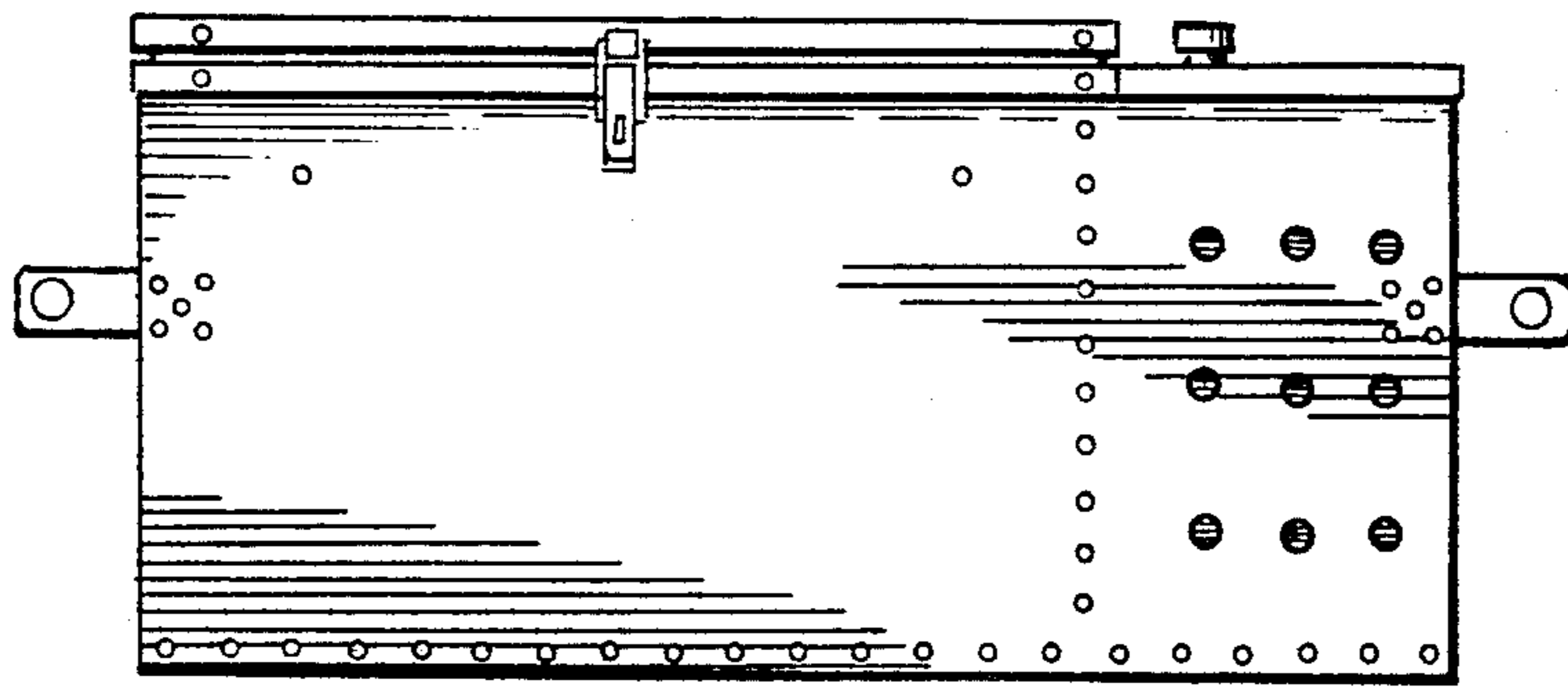


Fig. 1.

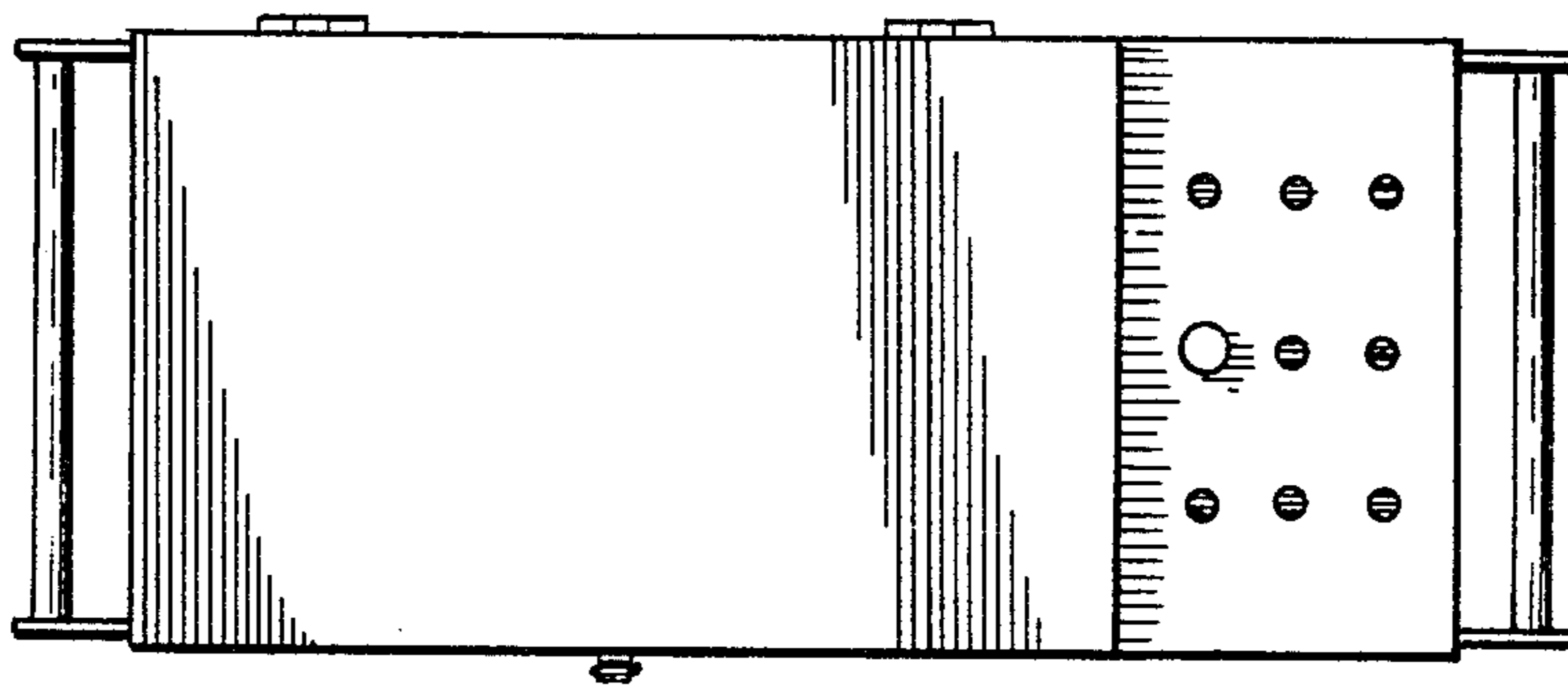


Fig. 2.

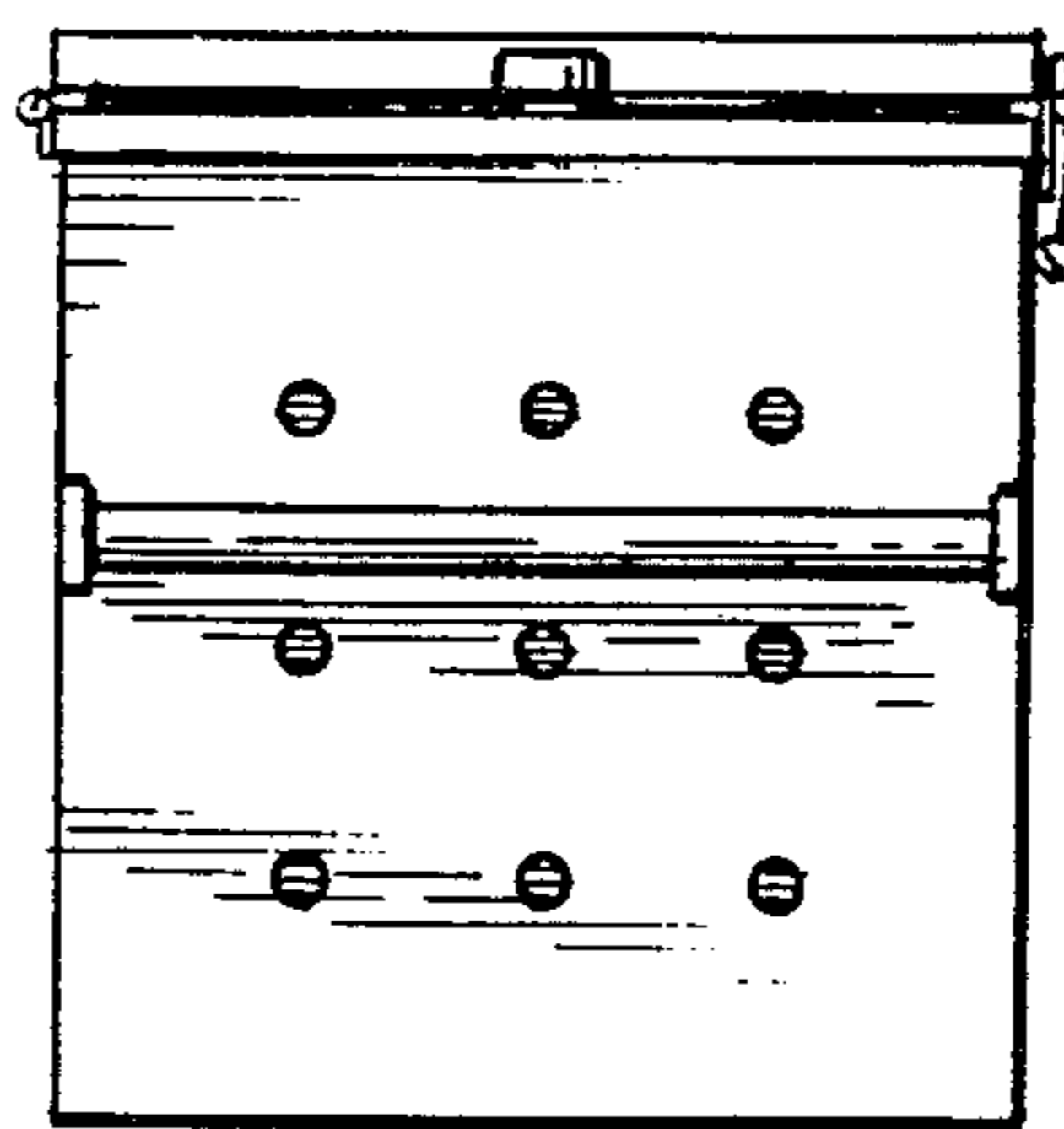


Fig. 3.

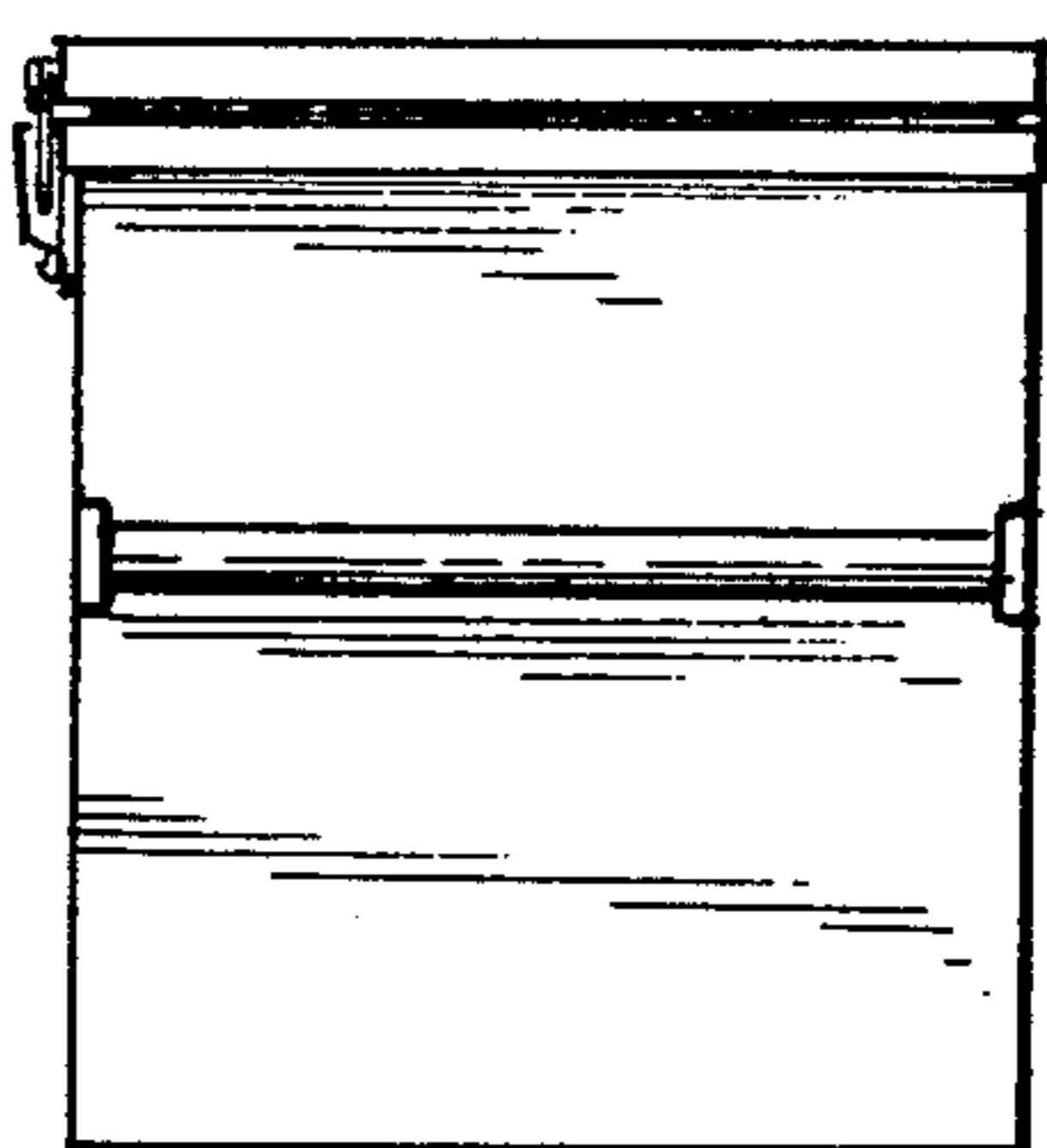


Fig. 4.

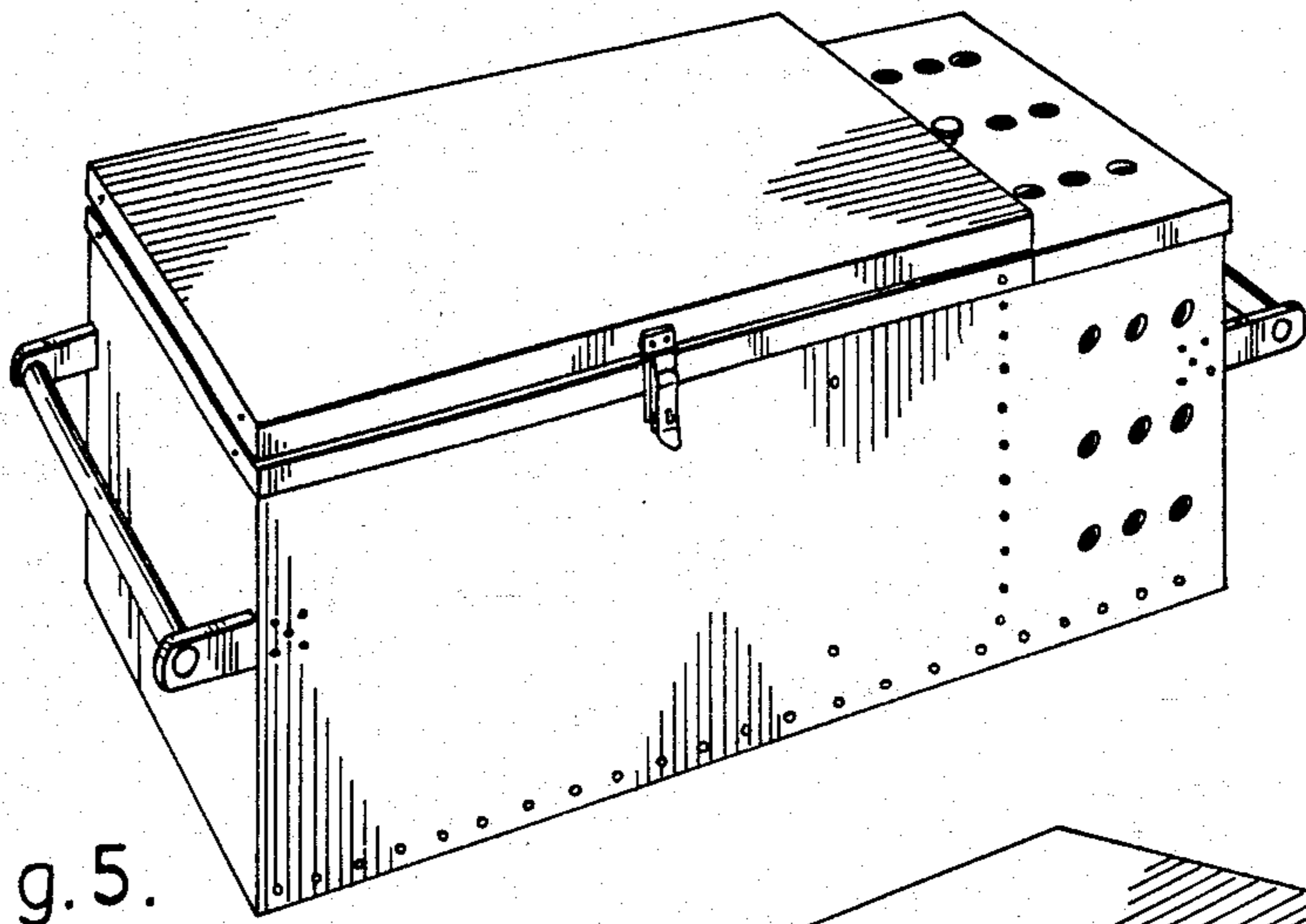


Fig. 5.

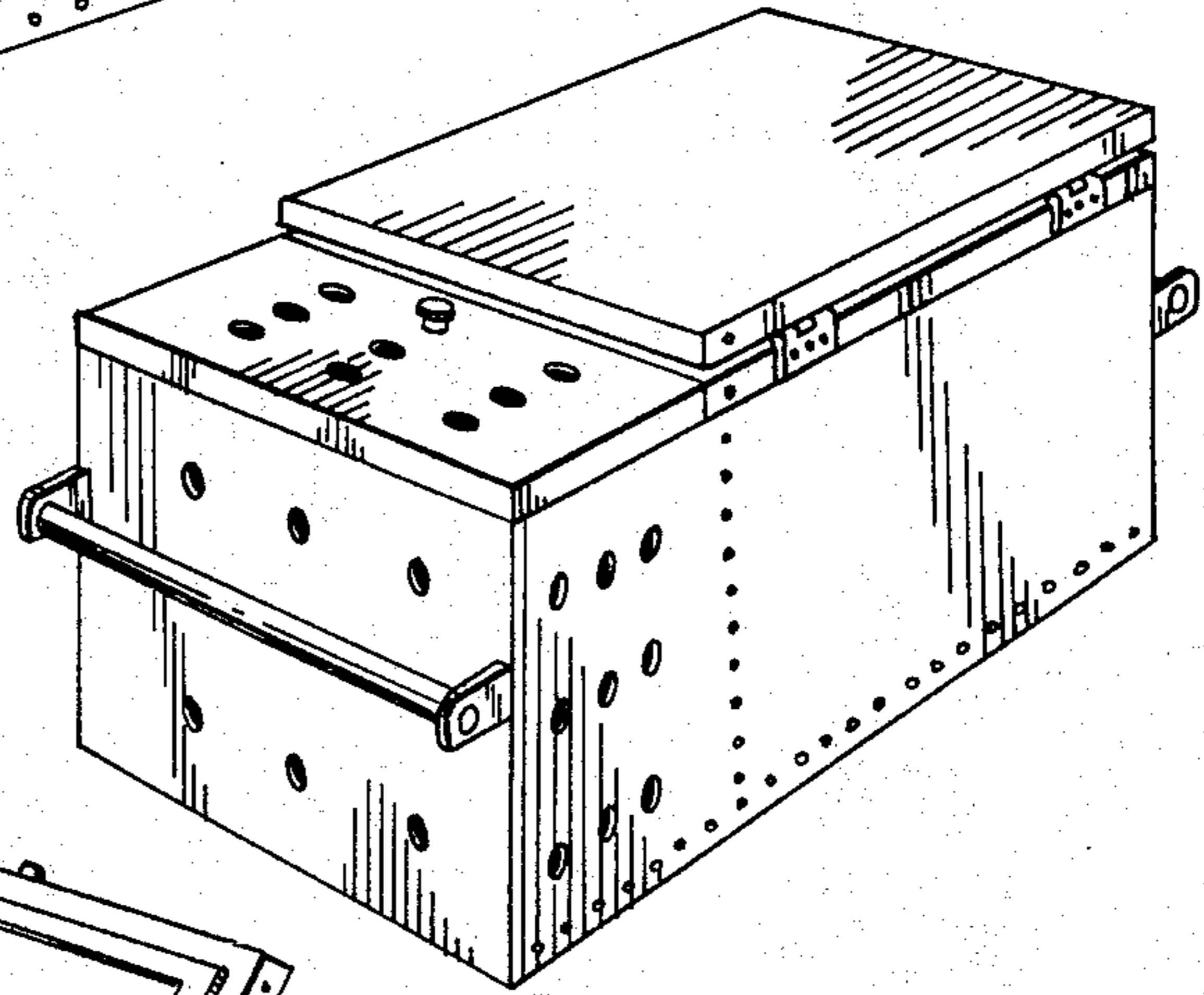


Fig. 6.

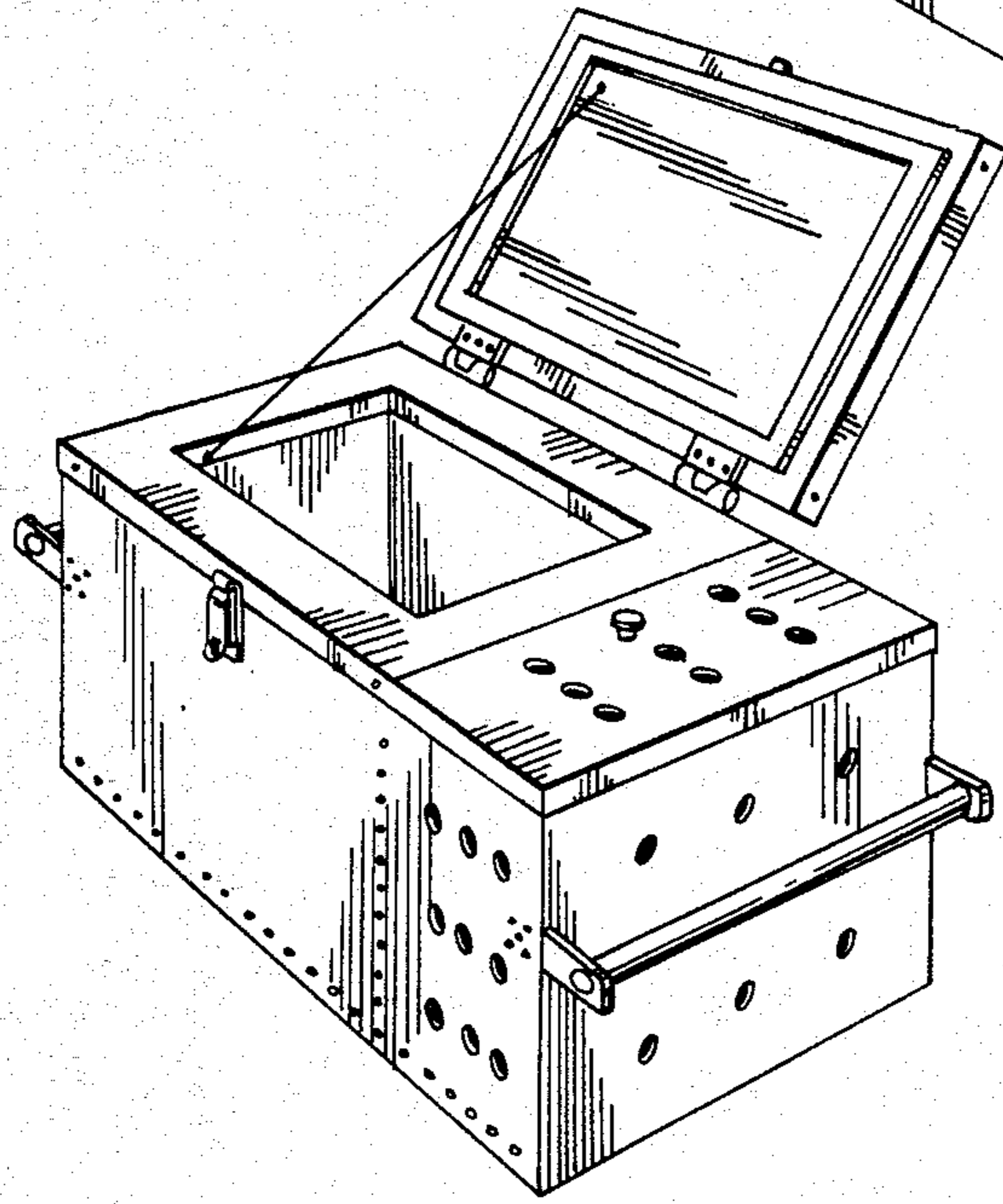


Fig. 7.