

[54] **COMBINED GRASS COLLECTOR AND BLOWER**

[76] **Inventors:** Thomas L. Hoepfner, 98 Prairiewood Dr.; Keith A. Leistikow, 88 Prairiewood Dr., both of Fargo, N. Dak. 58103

[**] **Term:** 14 Years

[21] **Appl. No.:** 681,835

[22] **Filed:** Dec. 14, 1984

[52] **U.S. Cl.** D15/17; D15/28

[58] **Field of Search** D15/10, 11, 12, 13, D15/17, 28; 56/13.3, 13.4, 320.1, 320.2, 202

[56] **References Cited**

U.S. PATENT DOCUMENTS

D. 213,328	2/1969	Smith	D15/17
D. 250,892	1/1979	Jackson	D15/17
2,843,991	7/1958	Poehls .	
2,920,435	1/1960	Vallone .	
3,058,284	10/1962	Anderson .	
3,134,214	5/1964	Shaw .	
3,367,092	2/1968	Gifford .	
3,657,865	4/1972	Ober .	
3,778,865	12/1973	Schmidt, Jr. et al. .	
3,783,592	1/1974	Schraut .	
3,925,968	12/1975	Wagenhals .	
3,987,606	10/1976	Evans .	
4,043,100	8/1977	Aumann et al. .	
4,081,947	4/1978	Szymanis .	
4,095,398	6/1978	Aumann et al.	56/202
4,104,852	8/1978	Tackett .	

4,114,353	9/1978	Ansbaugh et al. .	
4,188,160	2/1980	Corbett et al. .	
4,193,249	3/1980	Tackett	56/320.2
4,345,416	8/1982	Cameron .	
4,433,532	2/1984	McCunn	56/320.2

OTHER PUBLICATIONS

PeCo Brochures, PECO, Inc., Asheville, N. C. 28813, undated.

Grasshopper Brochures, The Grasshopper Company, Moundridge, Kansas 67107, undated.

E-Z Rake, Inc. "E-Z VAC 4 Models . . . To Fit Most Tractors and Riders!" undated.

Primary Examiner—B. J. Bullock

Assistant Examiner—Suzanne N. Gitlin

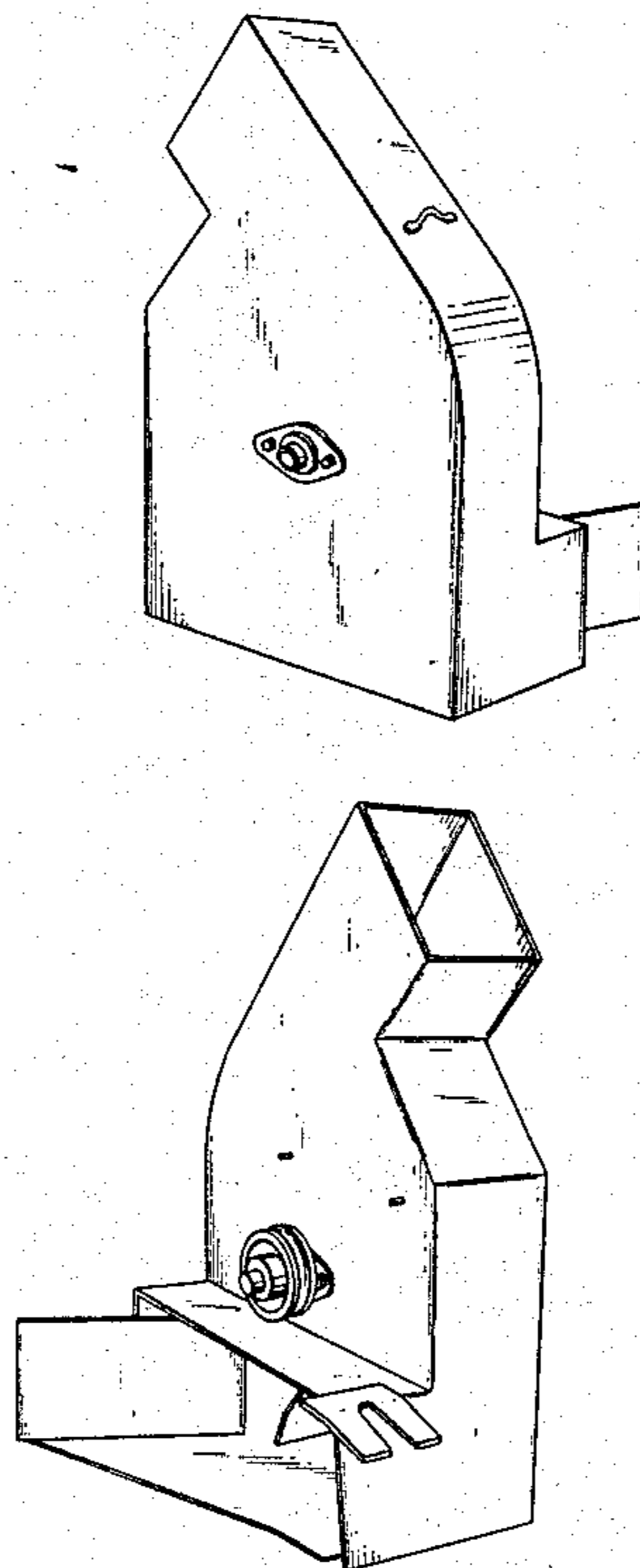
Attorney, Agent, or Firm—Burd, Bartz & Gutenkauf

[57] **CLAIM**

The ornamental design of a combined grass collector and blower, as shown and described.

DESCRIPTION

FIG. 1 is a front perspective view of a combined grass collector and blower showing our new design; FIG. 2 is a rear perspective view thereof; FIG. 3 is a front elevational view thereof; FIG. 4 is a rear elevational view thereof; FIG. 5 is a side elevational view taken from the right of FIG. 1; FIG. 6 is a side elevational view taken from the left of FIG. 1; FIG. 7 is a top plan view thereof; FIG. 8 is a bottom plan view thereof.



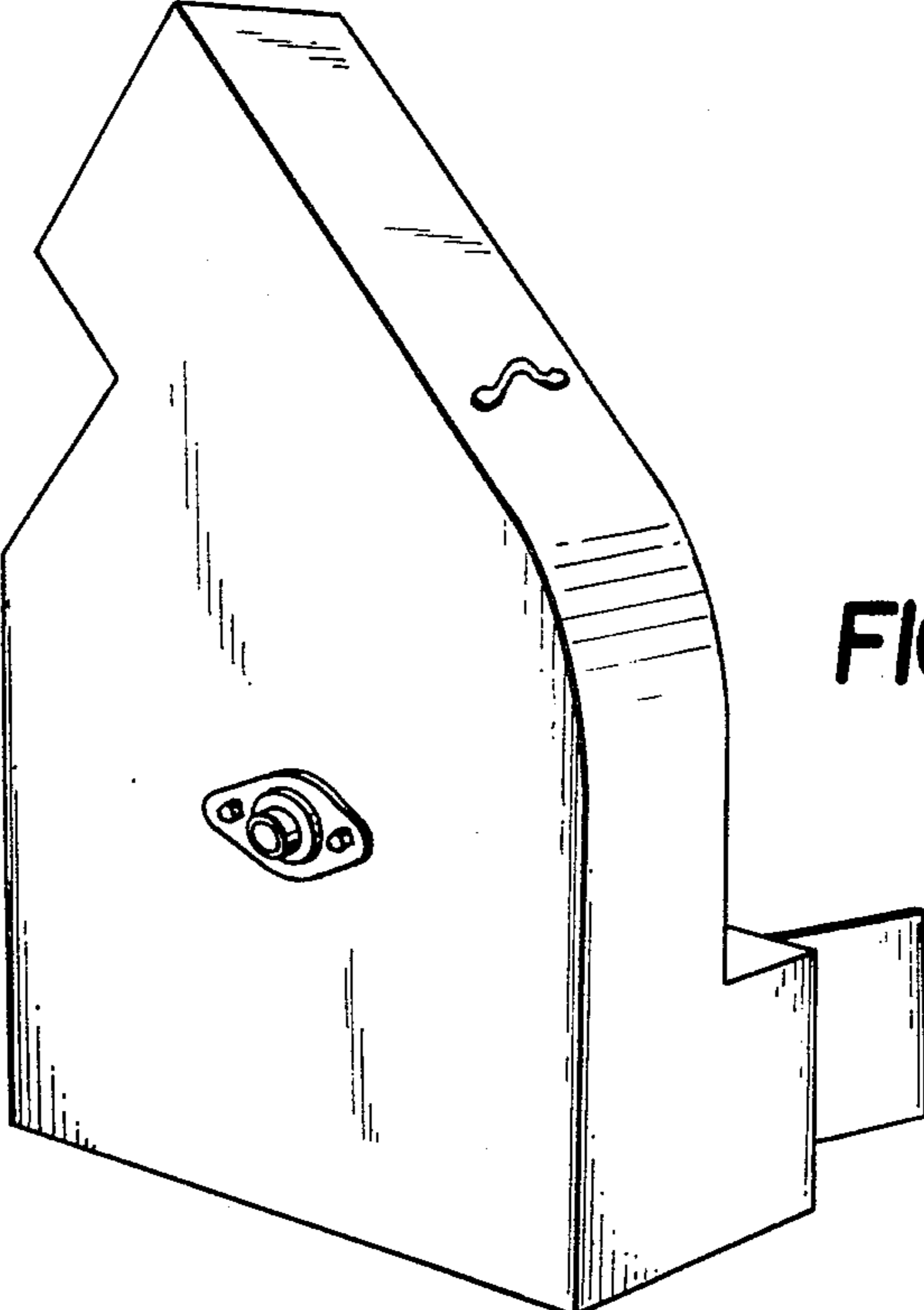


FIG. 1

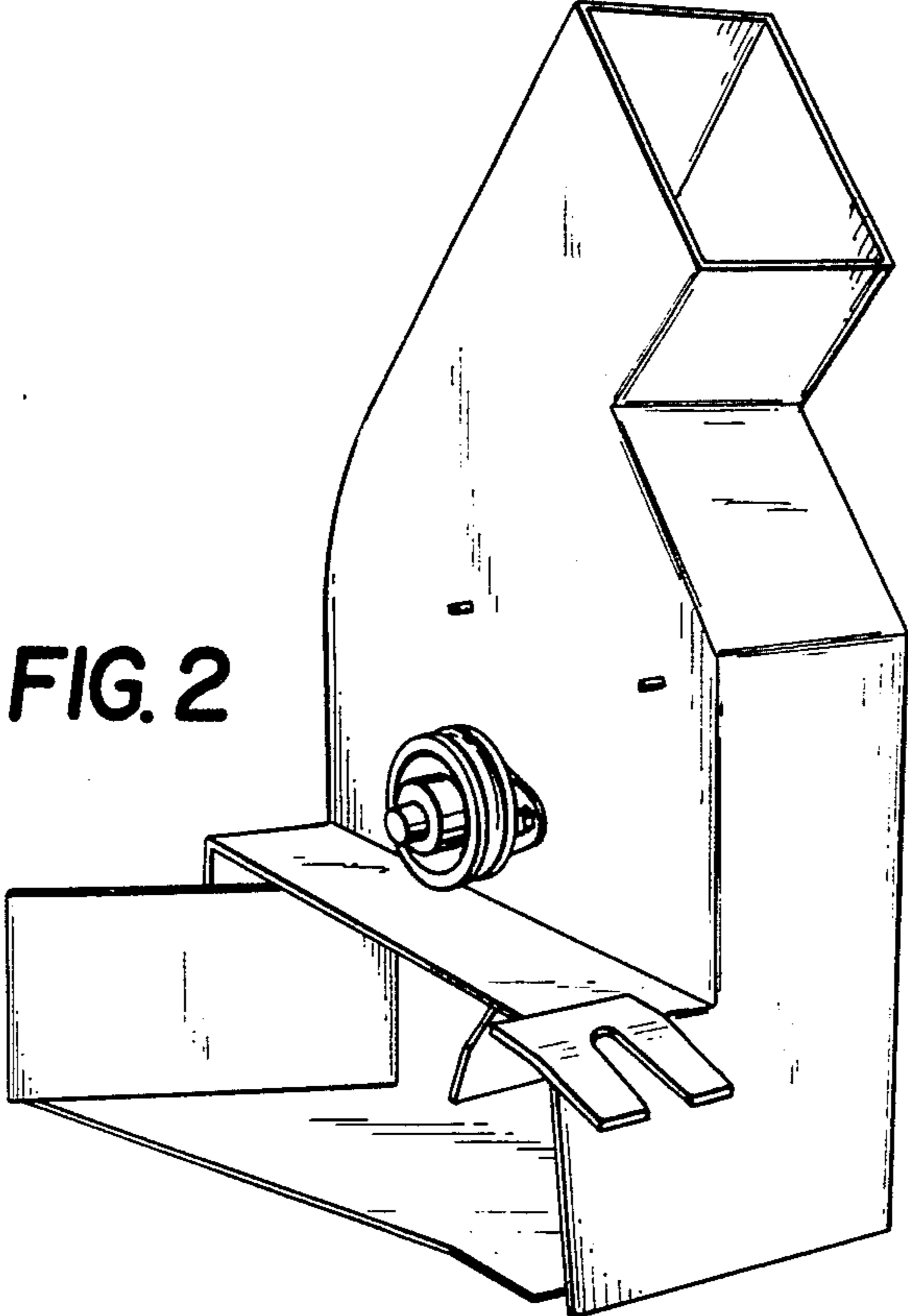


FIG. 2

