

[54] PROJECTION TELEVISION RECEIVER

[75] Inventors: Tsugio Akita, Osaka; Yoshiaki Kawata, Hyogo; Toyoyuki Uematsu, Osaka, all of Japan

[73] Assignee: Matsushita Electric Industrial Co., Ltd., Osaka, Japan

[**] Term: 14 Years

[21] Appl. No.: 558,724

[22] Filed: Dec. 6, 1983

[30] Foreign Application Priority Data

Jun. 14, 1983 [JP] Japan 58-25612

[52] U.S. Cl. D14/80

[58] Field of Search D14/77, 79-83; D16/14, 18, 20, 25

[56] References Cited

U.S. PATENT DOCUMENTS

D. 164,153 8/1951 Barth D16/14 X

D. 196,340 9/1963 Peters D16/14 X
D. 246,314 11/1977 Kubnick et al. D16/18
D. 267,251 12/1982 Link et al. D16/14 X
3,667,839 6/1972 Artaud D16/14 X

Primary Examiner—Nelson C. Holtje
Assistant Examiner—Theodore M. Shooman
Attorney, Agent, or Firm—Sughrue, Mion, Zinn, Macpeak & Seas

[57] CLAIM

The ornamental design for a projection television receiver, as shown and described.

DESCRIPTION

FIG. 1 is a front, top and right side perspective view of a projection television receiver showing our new design with a cover and screen in raised position; FIG. 2 is a rear, bottom and left side perspective view thereof; FIG. 3 is a view, similar to FIG. 1, with a cover closed, screen hidden and handle extended; and FIG. 4 is a rear, top and left side perspective view thereof.

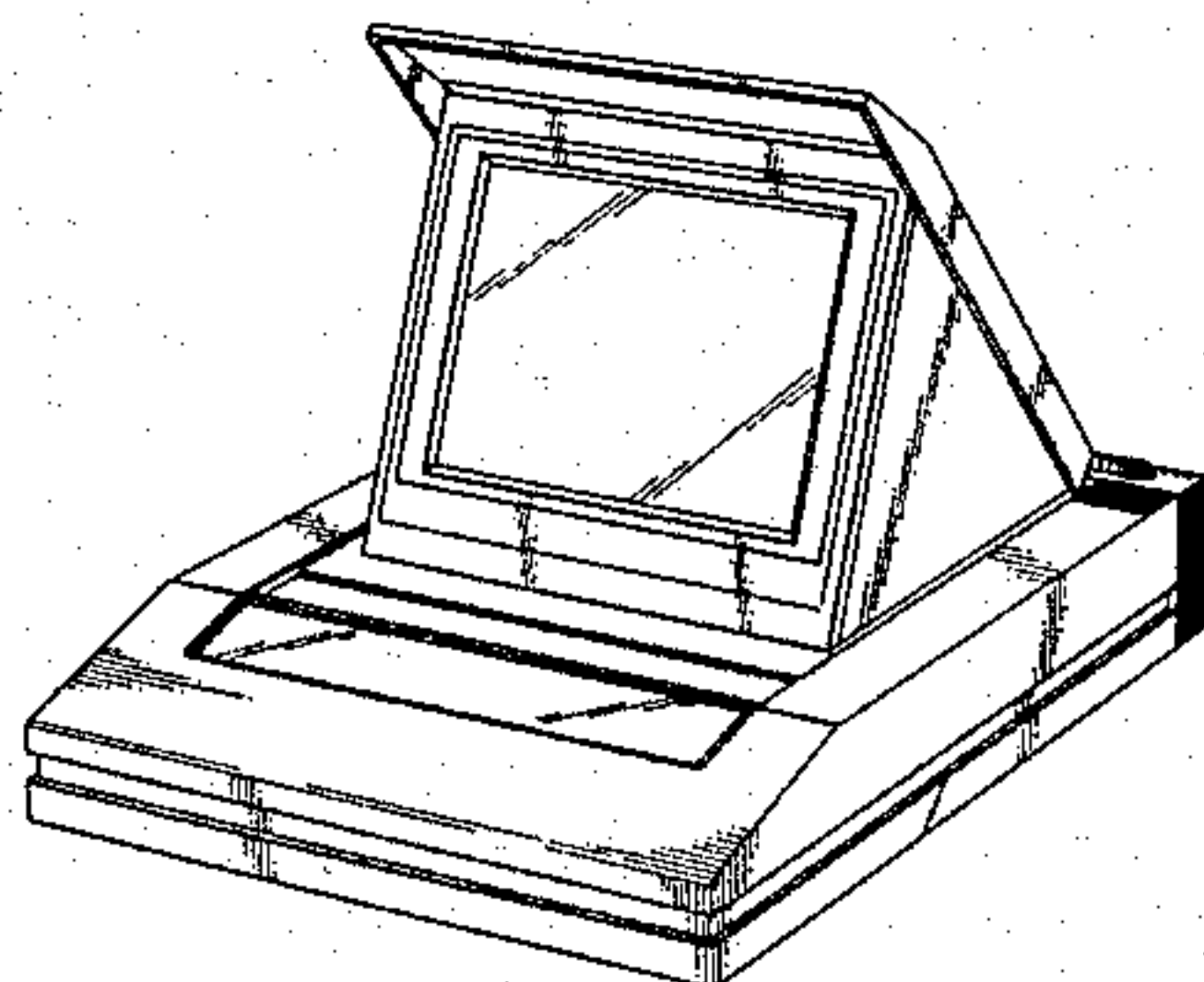
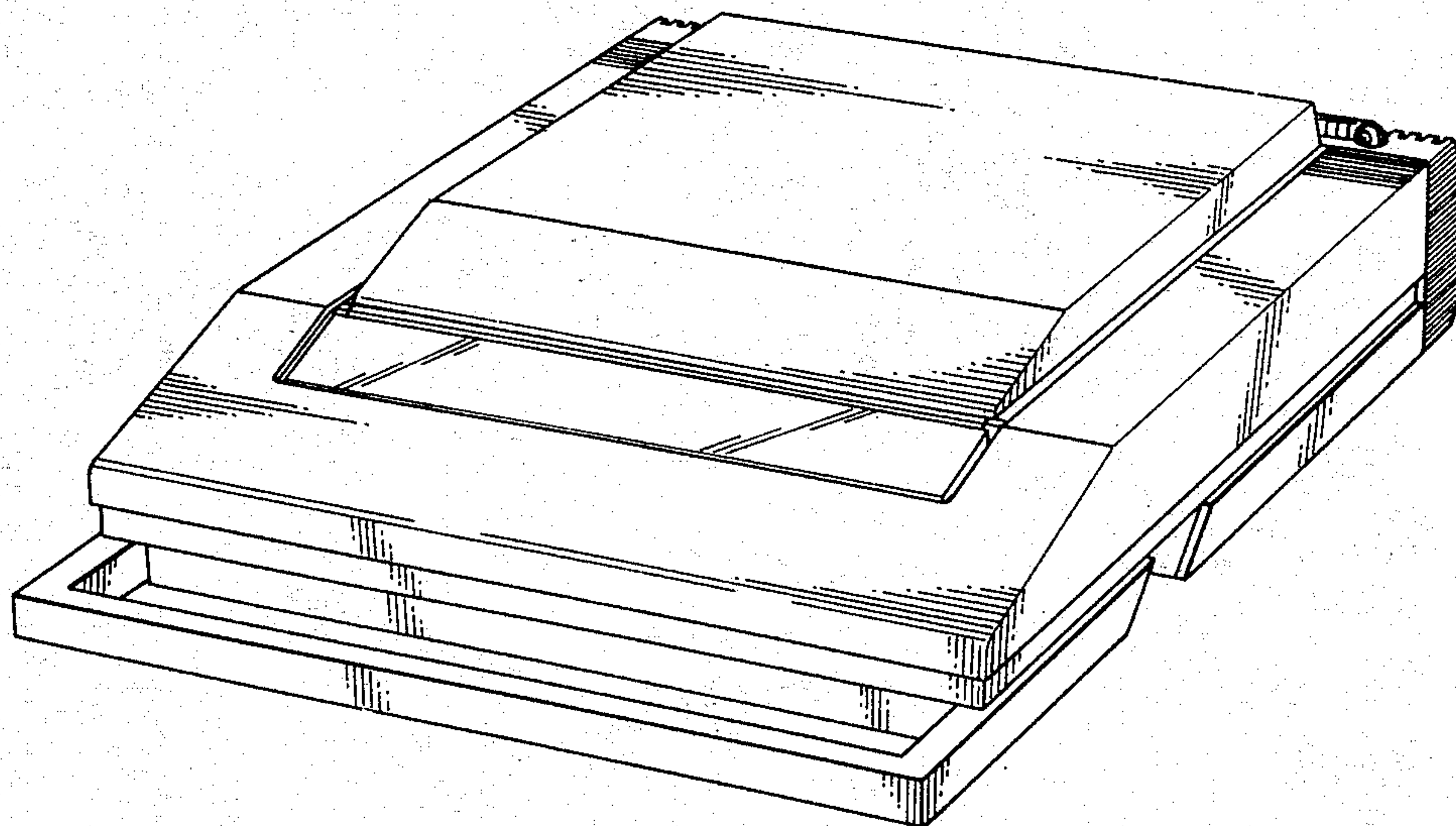


Fig. 1

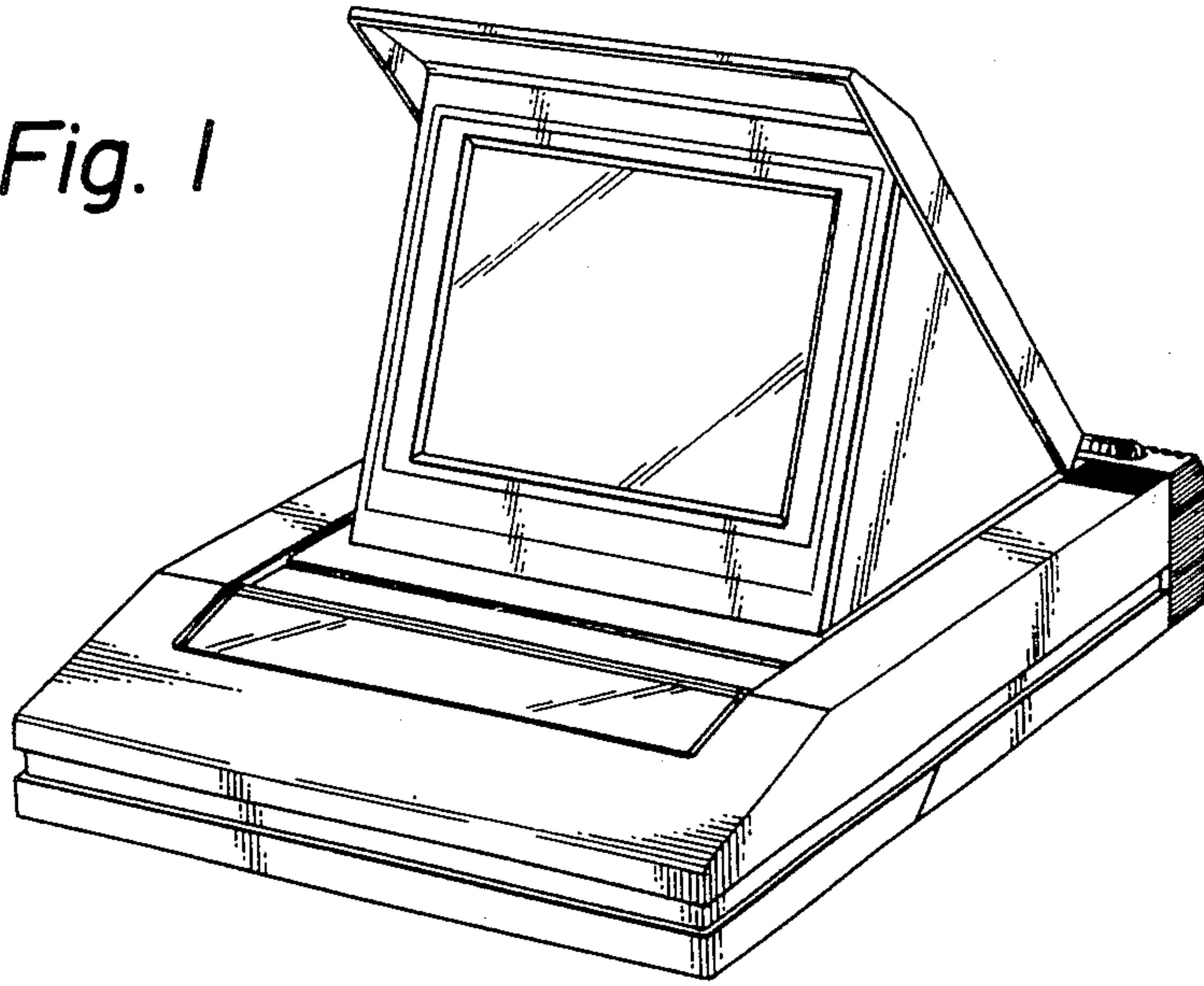


Fig. 2

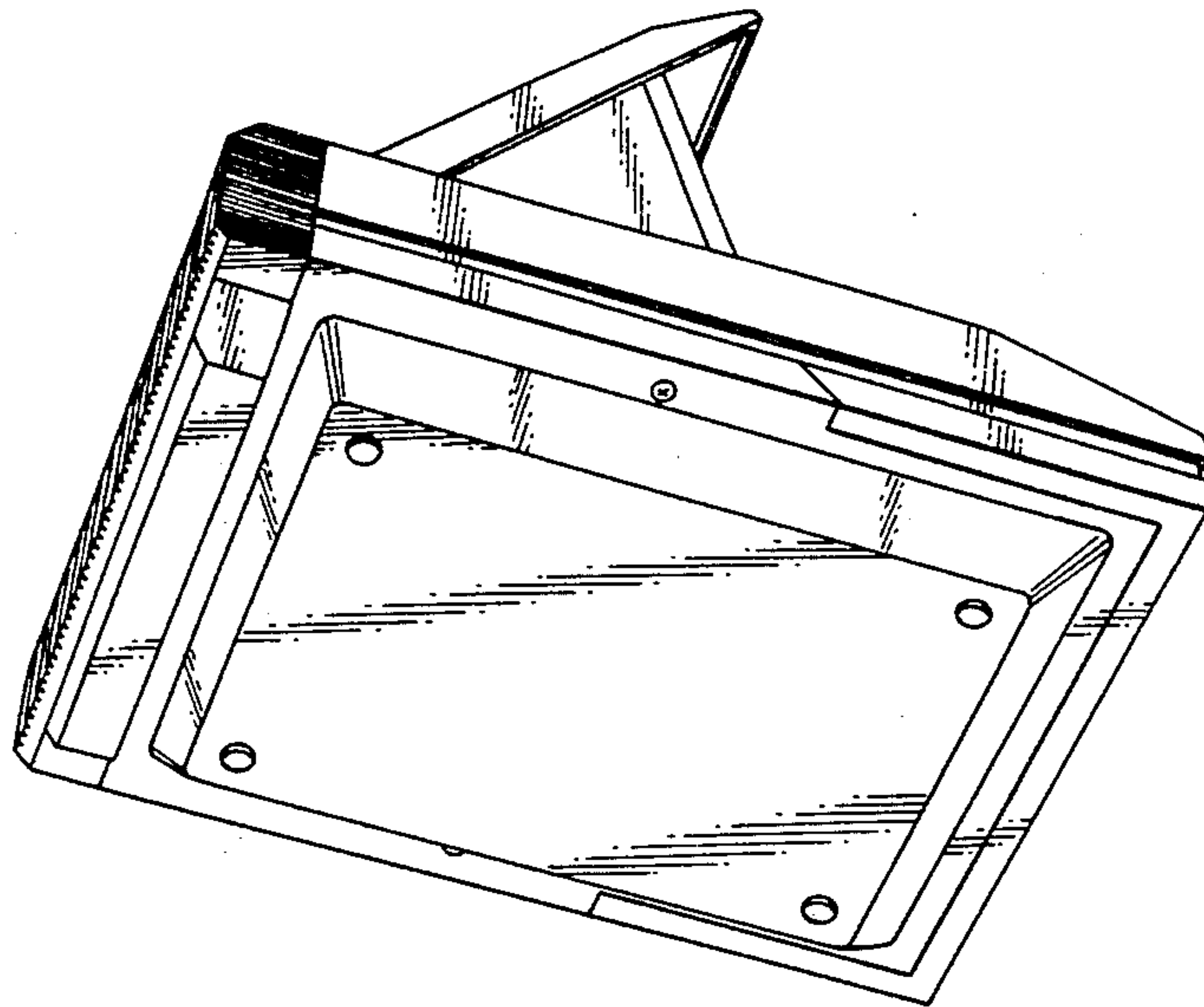


Fig.3

