

[54] COMBINED VIDEO TAPE RECORDER AND VIDEO CAMERA

[75] Inventor: Masamitsu Shibata, Matsudo, Japan

[73] Assignee: Victor Company of Japan, Ltd., Yokohama, Japan

[\*\*] Term: 14 Years

[21] Appl. No.: 582,231

[22] Filed: Feb. 21, 1984

[30] Foreign Application Priority Data

Aug. 25, 1983 [JP] Japan ..... 58-37024

[52] U.S. Cl. .... D14/78; D14/5

[58] Field of Search ..... D14/78, 77, 5, 84, 1, D14/99, 6; 358/906

[56] References Cited

U.S. PATENT DOCUMENTS

- D. 278,238 4/1985 Kurokawa et al. .... D14/78
- D. 281,684 12/1985 Hyuga et al. .... D14/5

FOREIGN PATENT DOCUMENTS

- 595034 2/1983 Japan .
- 596054 3/1983 Japan .
- 596060 3/1983 Japan .
- 596100 3/1983 Japan .
- 606691 8/1983 Japan .
- 606692 8/1983 Japan .
- 606695 8/1983 Japan .
- 606696 8/1983 Japan .
- 606697 8/1983 Japan .
- 618815 2/1984 Japan .
- 619001 2/1984 Japan .

619468 3/1984 Japan .

OTHER PUBLICATIONS

High Fidelity, Feb. 1982, RCA, JVC and Sanyo Video Cameras, p. 45.

Brochure V-401010B-2, Victor; Video Movie, four pages (unpaginated), Victor Company of Japan, Limited, dated Feb. 1984.

Brochure EAWMG-1, Sony; Betamovie, four pages (unpaginated), Sony Corporation, dated Jul. 1983.

Brochure 050-S1, National; M-Vision; Integrated VTR and Camera System for Broadcast, 10 pages and covers, Matsushita Electric Ind. Co., Ltd., Video Systems, Division, dated Oct. 1983, see esp. front cover.

Primary Examiner—Bernard Ansher

Assistant Examiner—Theodore M. Shooman

Attorney, Agent, or Firm—Cushman, Darby & Cushman

[57] CLAIM

The ornamental design for a combined video tape recorder and video camera, as shown and described.

DESCRIPTION

FIG. 1 is a front, top and right side perspective view of a combined video tape recorder and video camera showing my new design,

FIG. 2 is a left side elevational view,

FIG. 3 is a right side elevational view,

FIG. 4 is a front elevational view,

FIG. 5 is a rear elevational view,

FIG. 6 is a top plan view,

FIG. 7 is a bottom plan view,

FIG. 8 is a front, top and left side perspective view with the lid in open position.

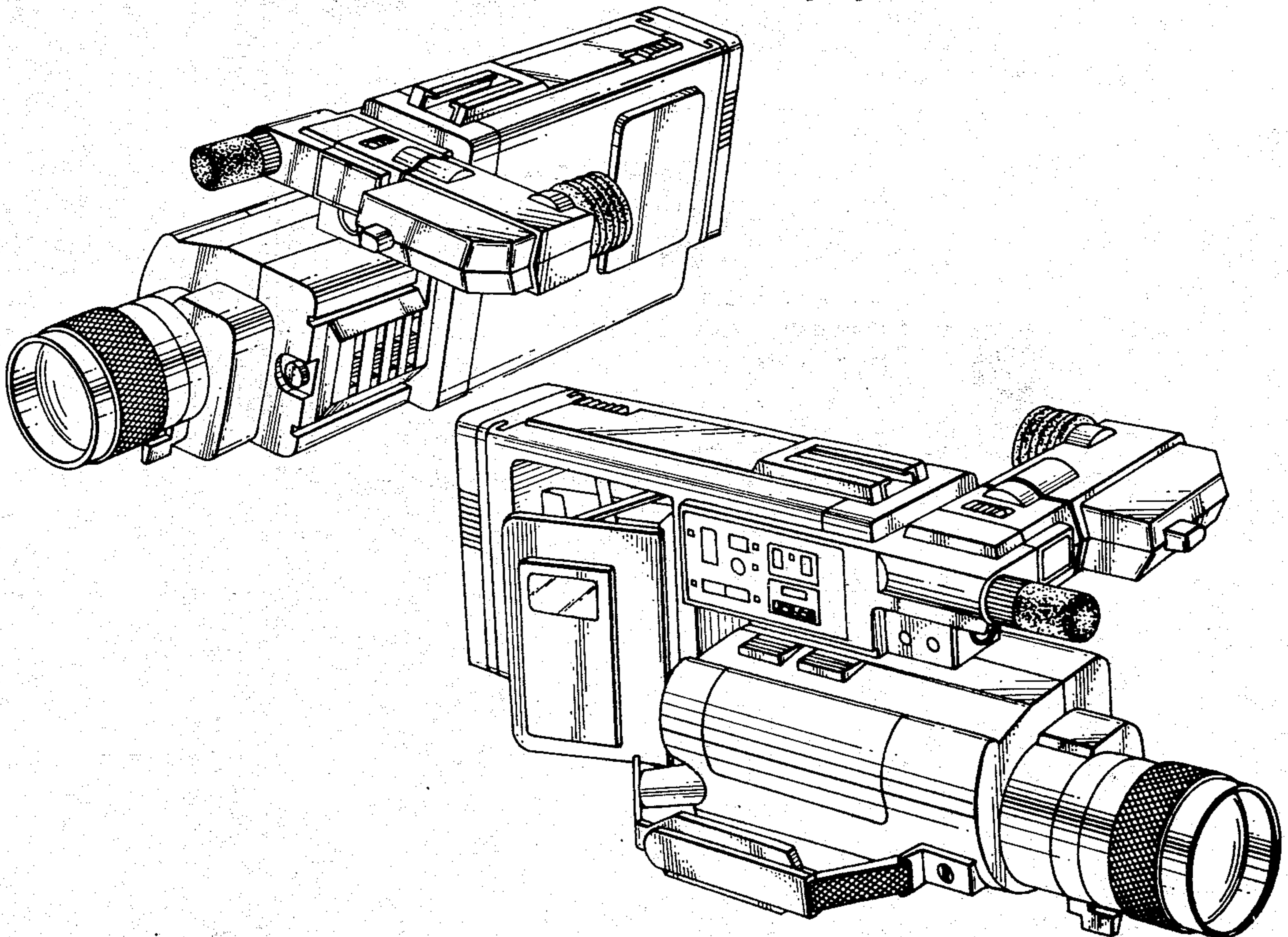


FIG. 1

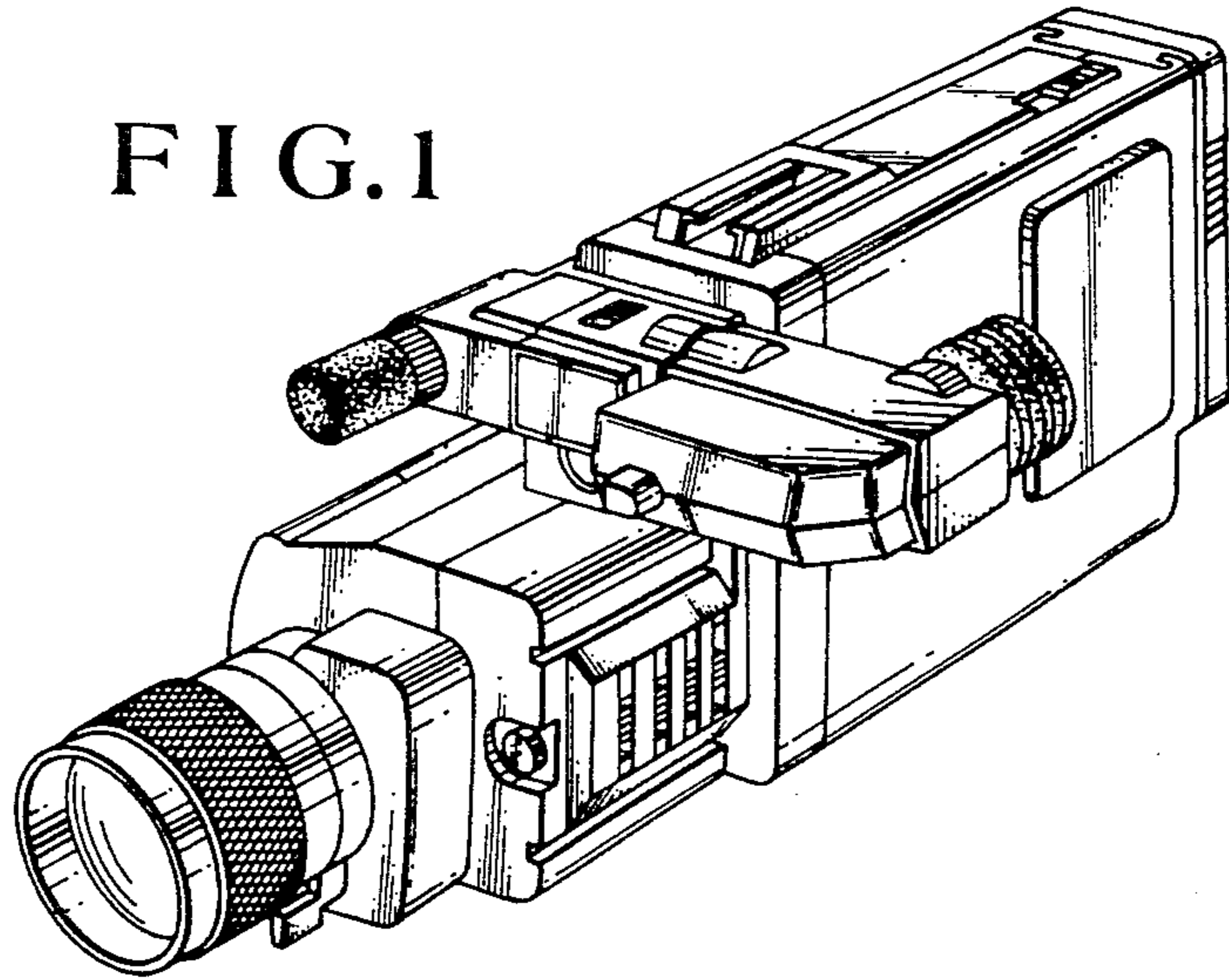


FIG. 2

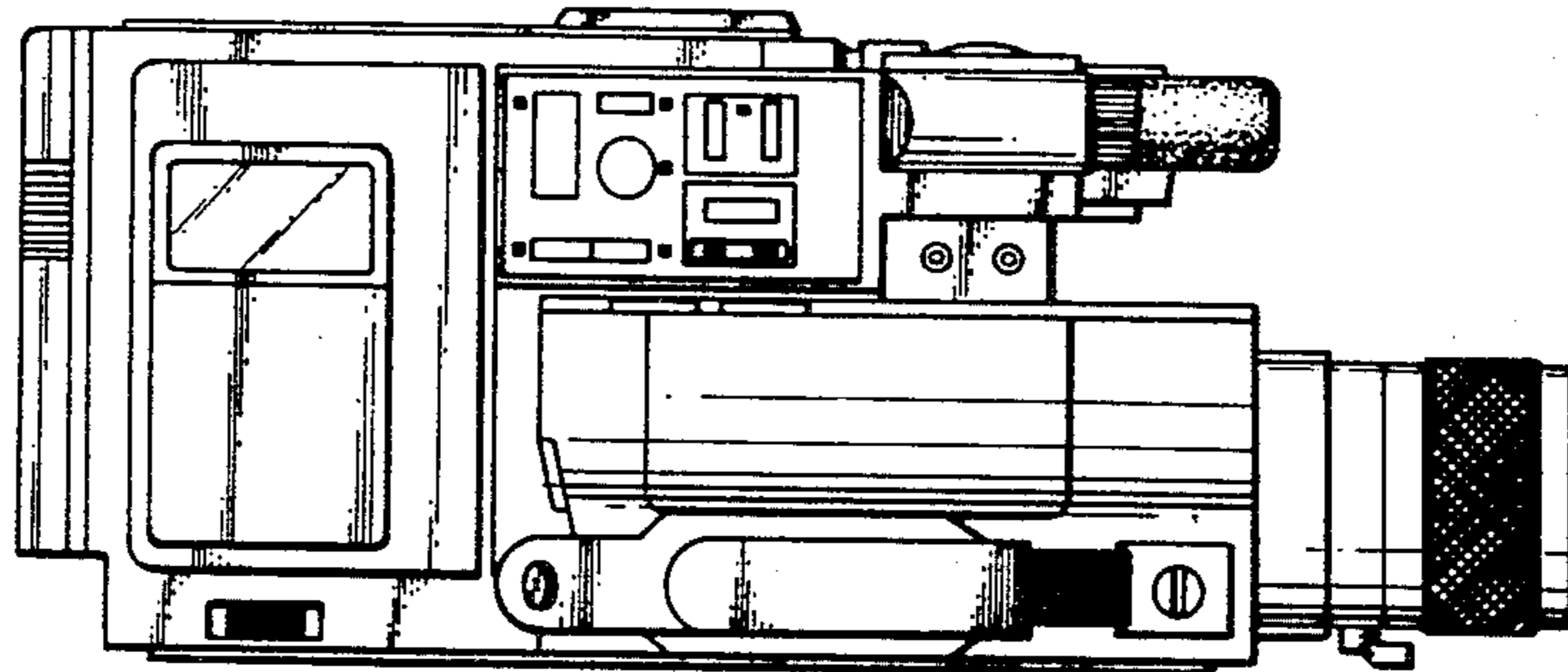
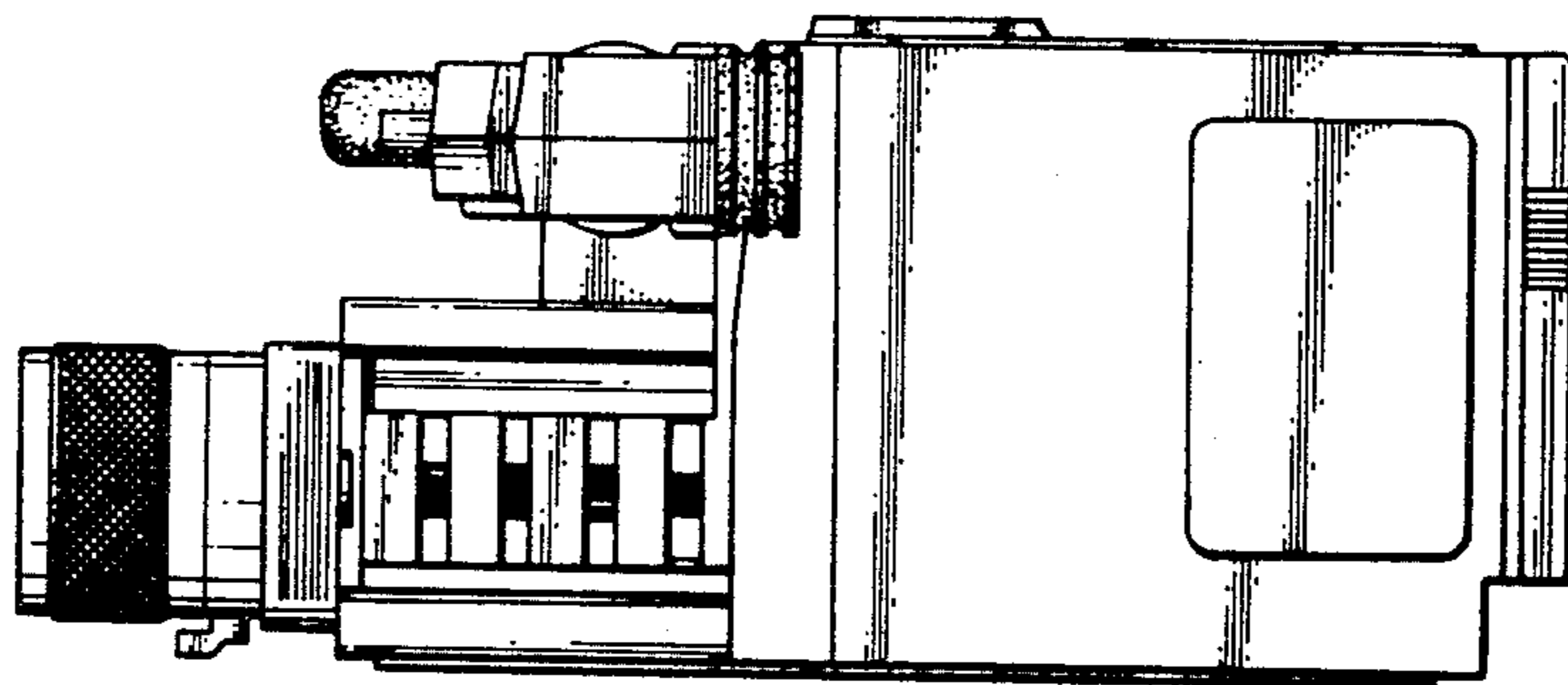


FIG. 3



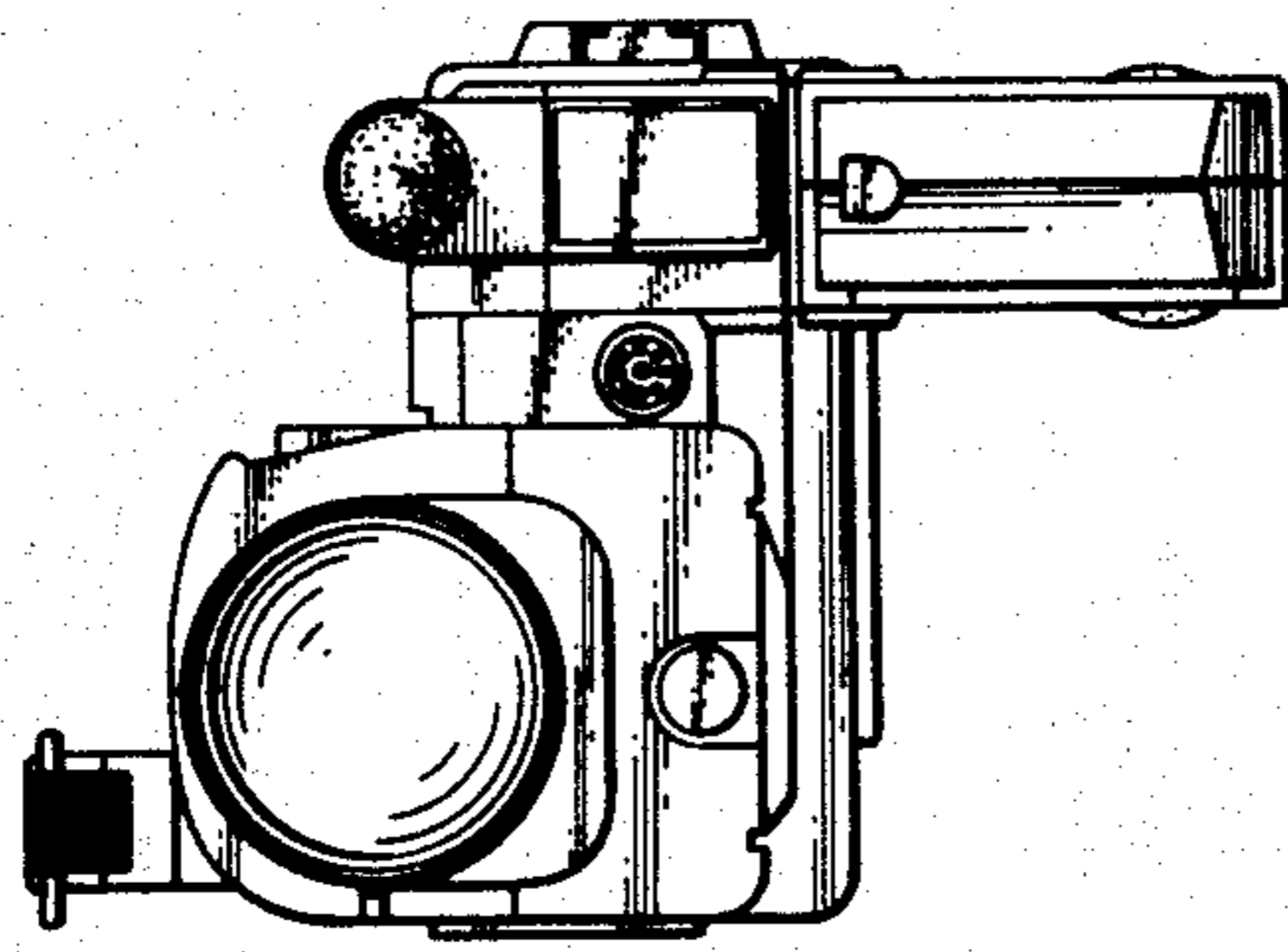


FIG. 4

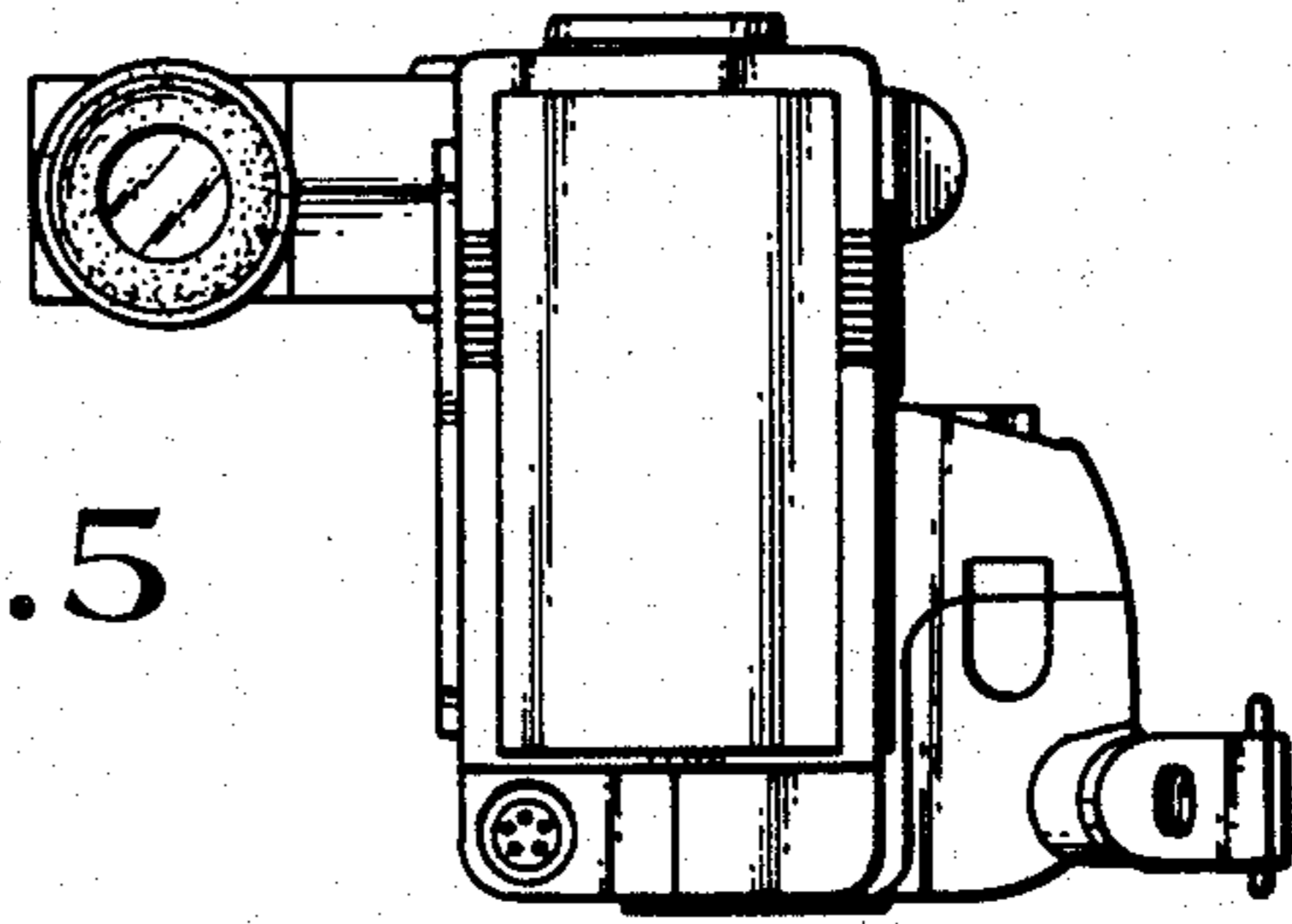


FIG. 5

FIG. 6

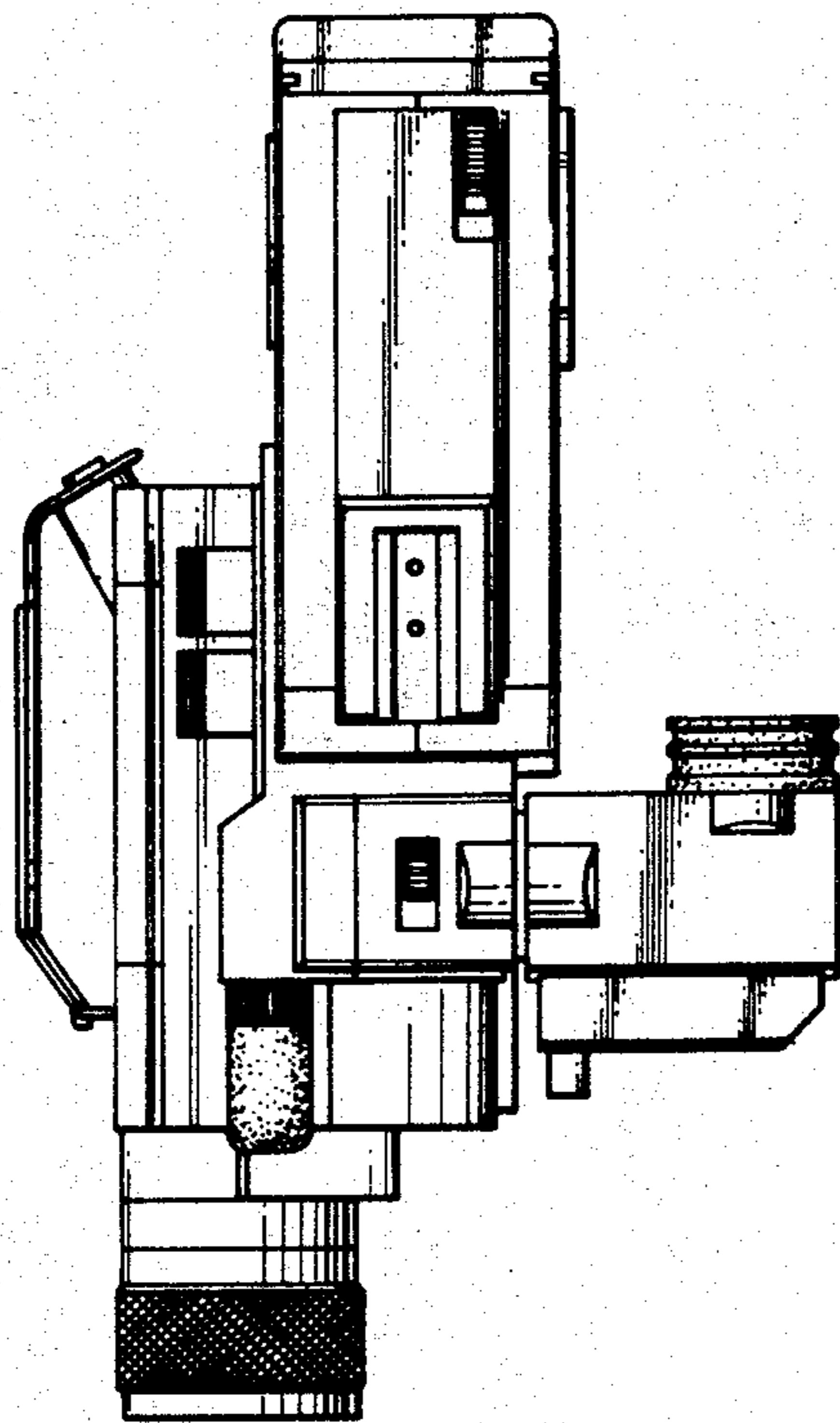


FIG. 7

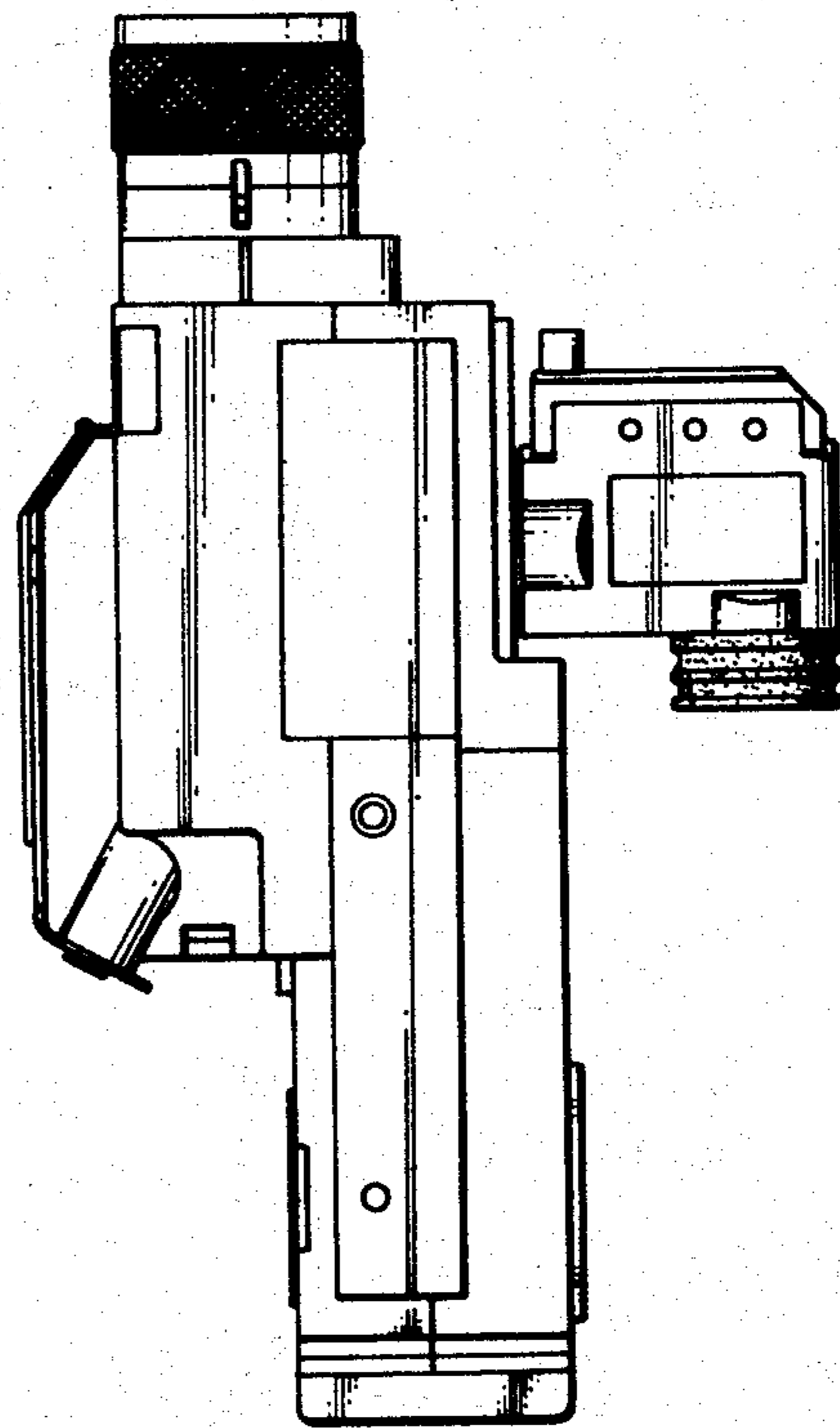


FIG. 8

