

[54] TELEPHONE

[76] Inventor: Peter Lee, 2nd. fl., 7, La. 93, Paoping Rd., Yungho City, Taipei Hsien, Taiwan

[**] Term: 14 Years

[21] Appl. No.: 661,716

[22] Filed: Oct. 17, 1984

[52] U.S. Cl. D14/53; D21/111; D14/62; D14/63

[58] Field of Search D14/53, 60, 64, 62; 179/179, 100 R, 100 D, 100 L, 101, 102, 103

[56] References Cited

U.S. PATENT DOCUMENTS

D. 108,645	3/1938	Jewett, Jr.	D21/111
D. 250,023	10/1978	Perkins et al.	D14/53
D. 255,239	6/1980	Thomas	D14/53
D. 255,240	6/1980	Thomas	D14/53
D. 261,507	10/1981	Thomas	D14/53
D. 261,647	11/1981	Thomas	D14/53
D. 261,763	11/1981	Thomas	D14/53
D. 262,024	11/1981	Thomas	D14/53
D. 262,107	12/1981	Thomas	D14/53
D. 262,108	12/1981	Thomas	D14/53
D. 262,795	1/1982	Thomas	D14/53

D. 267,090	11/1982	Thomas	D14/53
D. 272,621	2/1983	Snyder	D14/53
D. 273,249	8/1983	Thomas	D14/53
D. 276,722	12/1984	Festa	D14/53
D. 281,598	12/1985	Guenther	D14/53

OTHER PUBLICATIONS

B. A. Pargh Co. Inc. Catalog ©1983; Sanyo Handset Model TH 20000 at p. 24; O. Cassini Model Handset 10105 at p. 14.

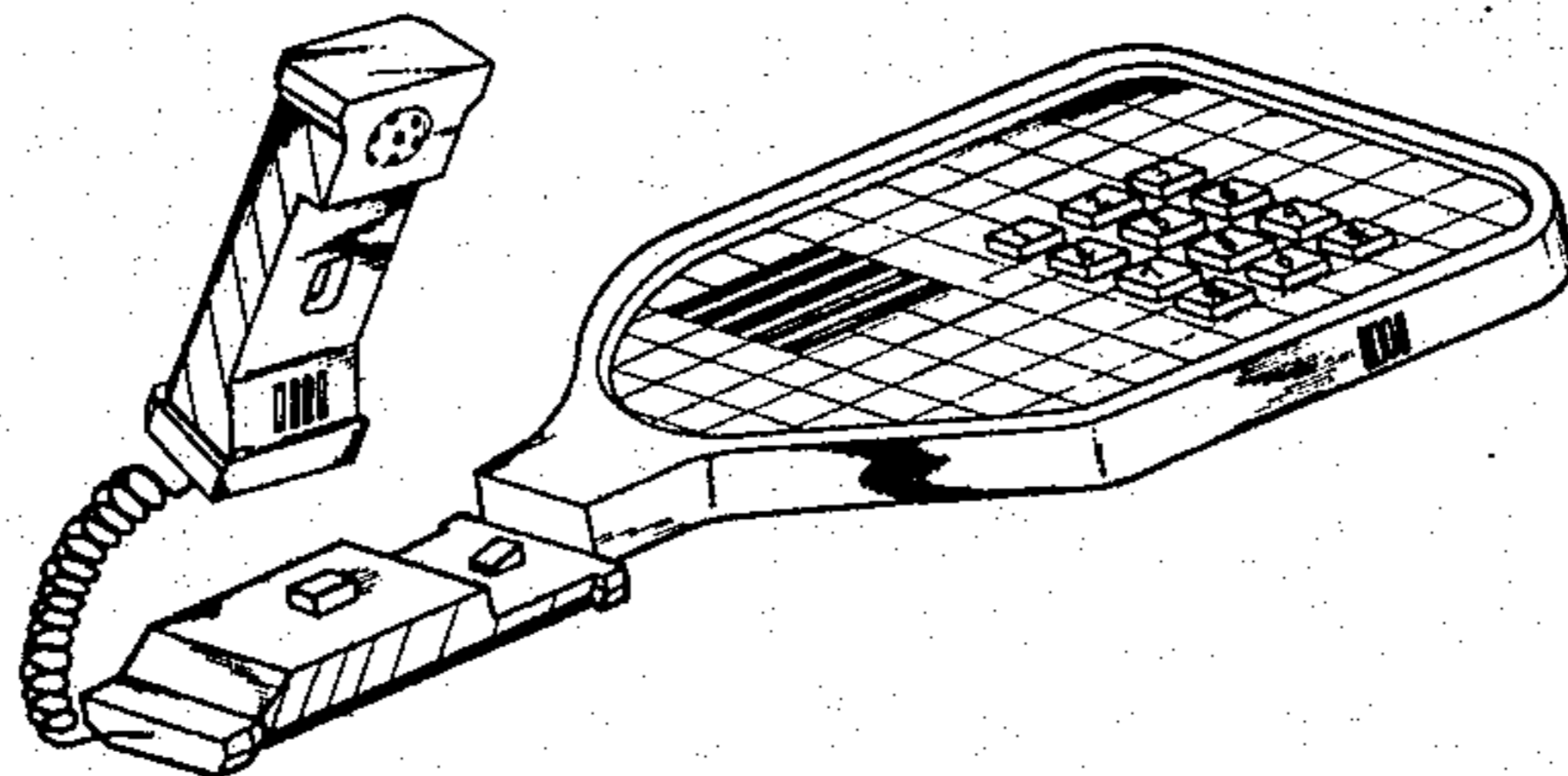
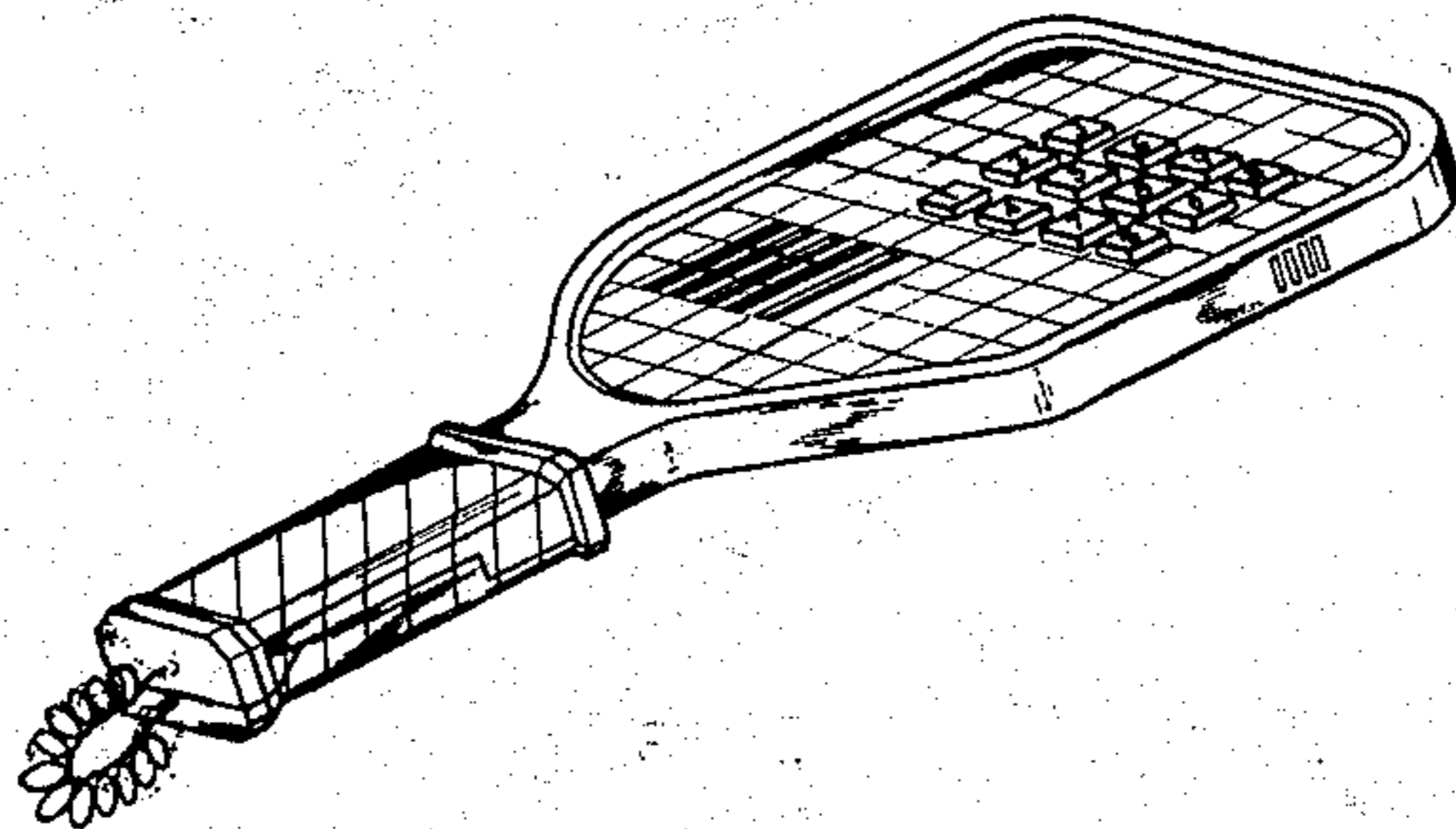
Primary Examiner—Wallace R. Burke
Assistant Examiner—Horace B. Fay
Attorney, Agent, or Firm—Holman & Stern

[57] CLAIM

The ornamental design for a telephone, as shown and described.

DESCRIPTION

FIG. 1 is a left end, top and right side perspective view of a telephone showing my new design;
FIG. 2 is a similar perspective view thereof, with the handset in a separated position;
FIG. 3 is a right side elevational view thereof;
FIG. 4 is a right end elevational view thereof;
FIG. 5 is a left end elevational view thereof;
FIG. 6 is a top plan view thereof; and
FIG. 7 is a bottom plan view thereof.



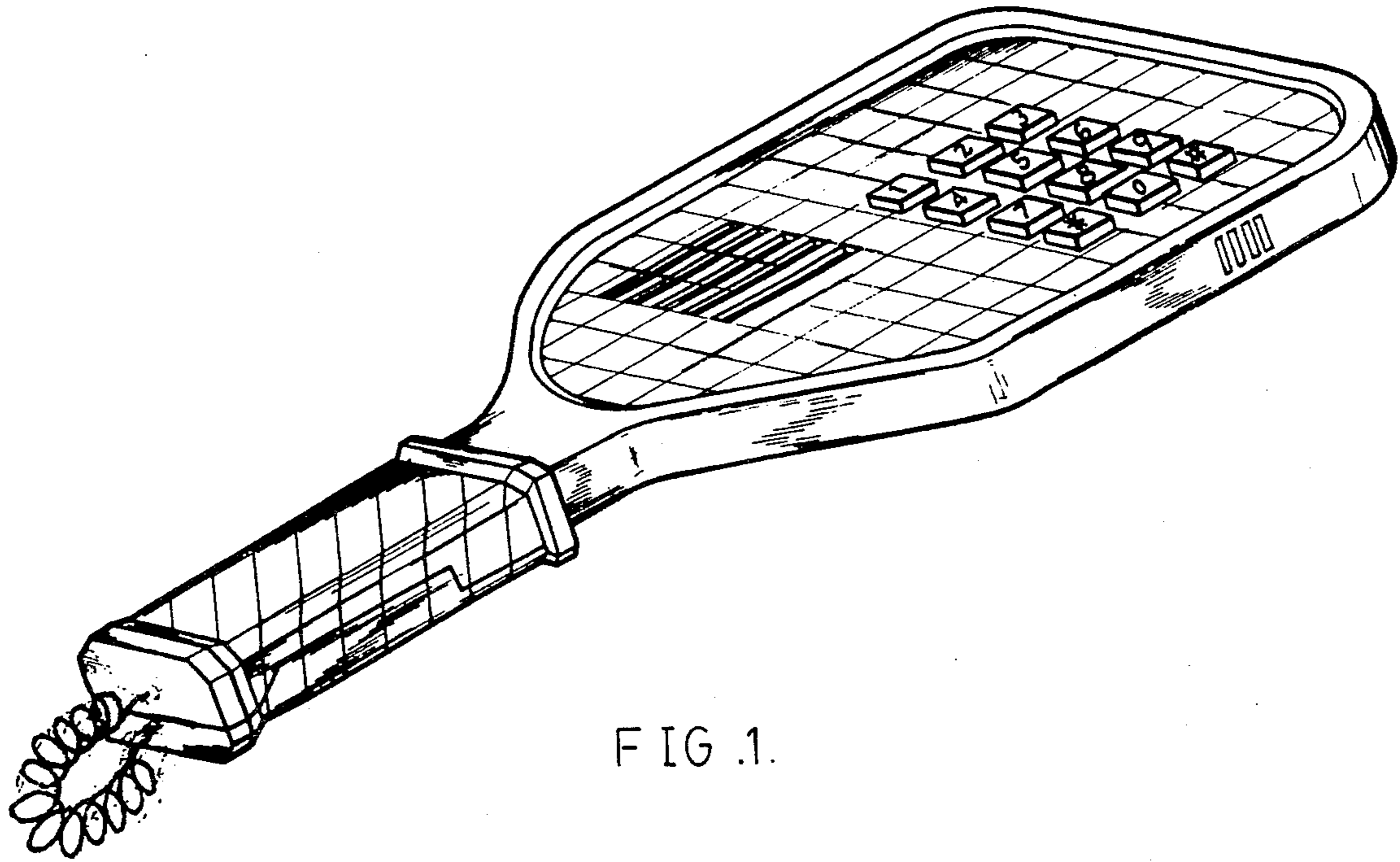


FIG. 1.

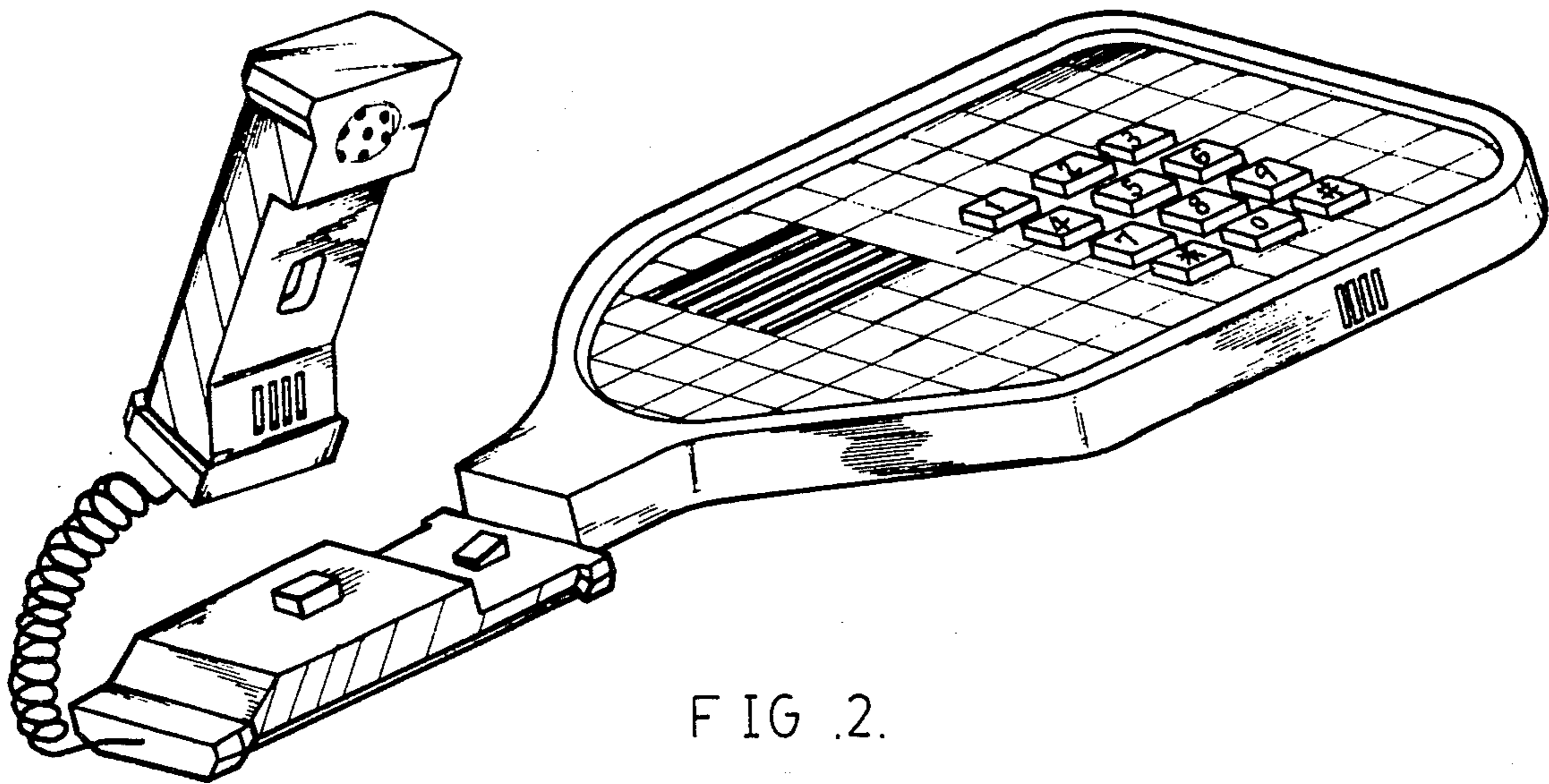


FIG. 2.

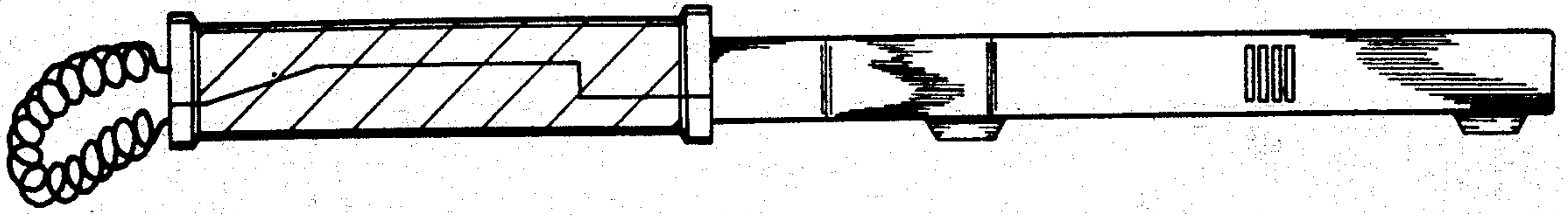


FIG. 3.

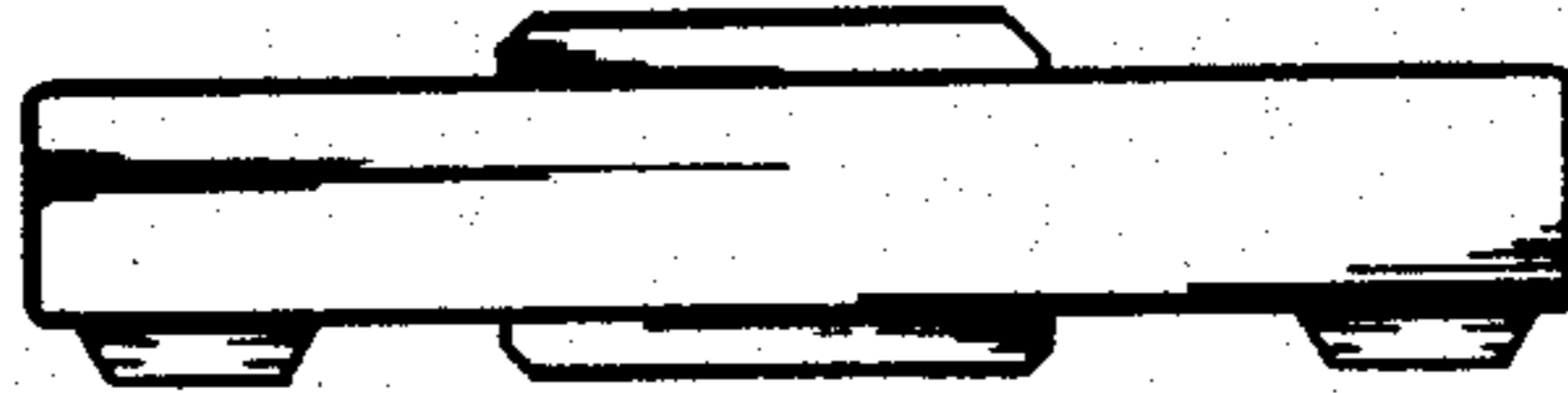


FIG. 4.

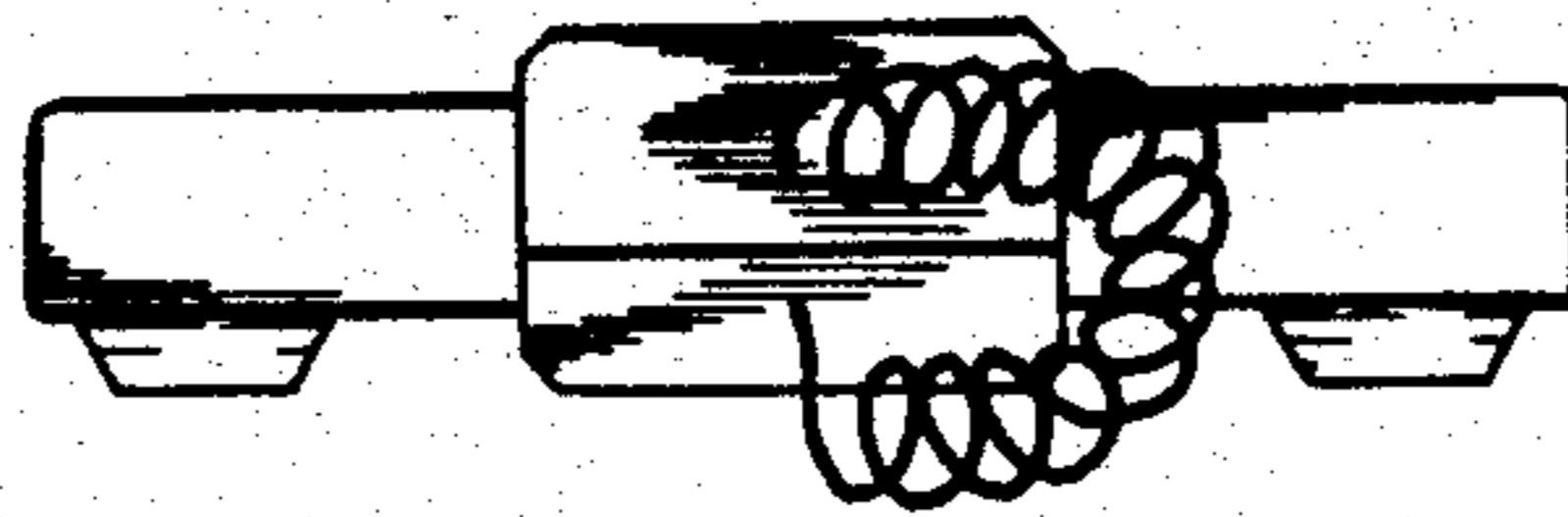


FIG. 5.

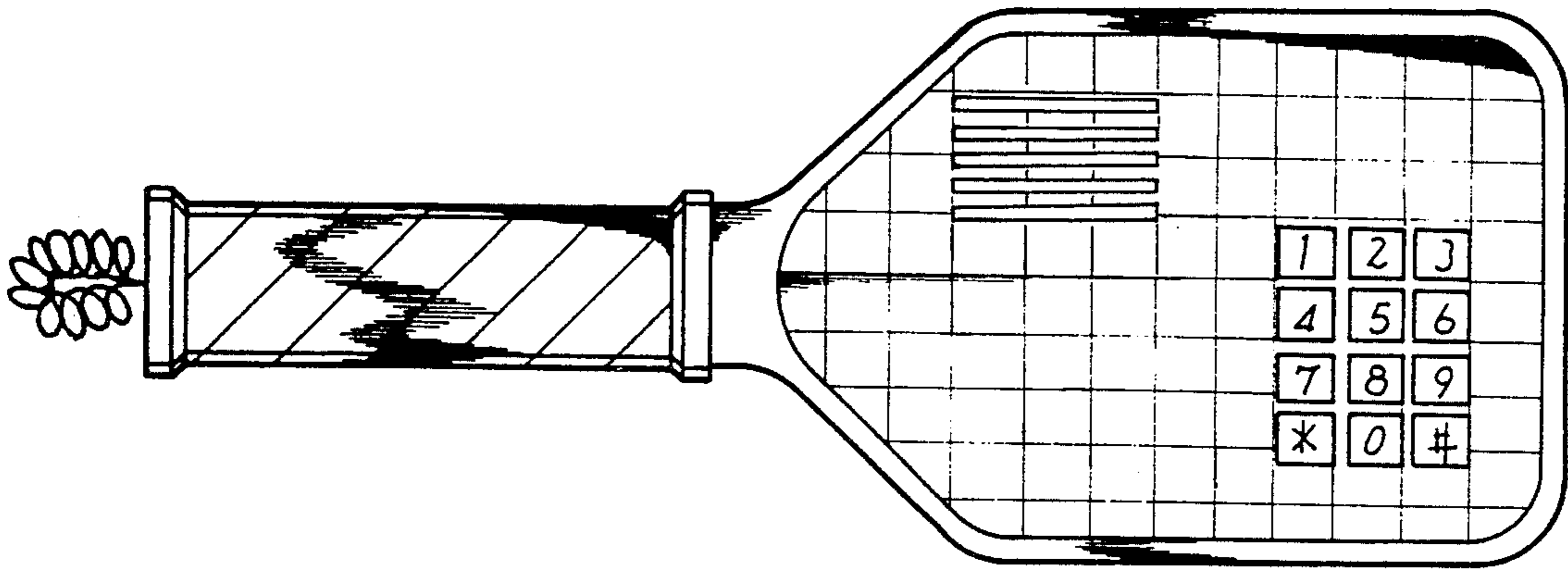


FIG. 6.

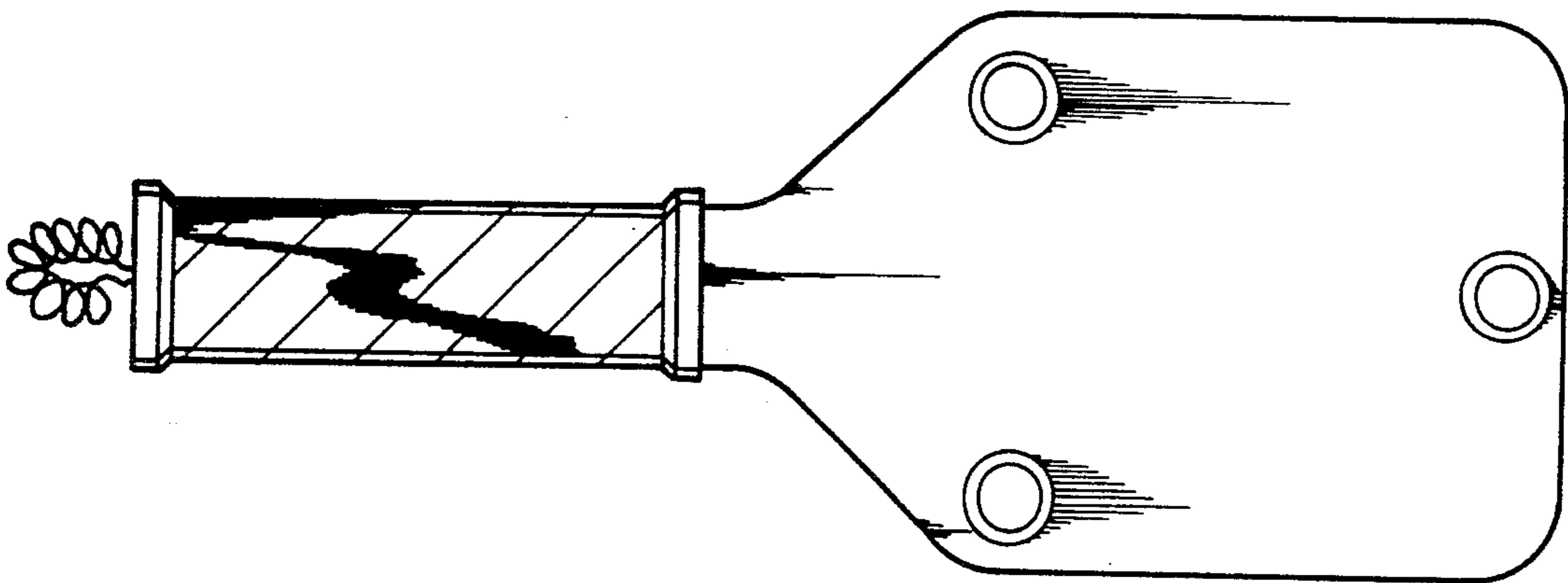


FIG. 7.