

[54] **WATER VEHICLE**

[76] **Inventor: Robert S. Kachler, 15182 Bolsa Chica, Suite D, Huntington Beach, Calif. 92649**

[**] **Term: 14 Years**

[21] **Appl. No.: 583,962**

[22] **Filed: Feb. 27, 1984**

[52] **U.S. Cl. D12/309; D12/300**

[58] **Field of Search D21/228, 229, 236; 114/283, 284, 357, 43; D12/7, 1, 85, 300, 303, 304, 305, 309**

[56] **References Cited**

U.S. PATENT DOCUMENTS

D. 236,097 7/1975 Sato D12/7
1,888,107 11/1932 Batt 114/283

3,611,461 10/1971 Wurzberger 114/357

Primary Examiner—James M. Gandy
Assistant Examiner—Kay H. Chin
Attorney, Agent, or Firm—Fulwider, Patton, Rieber, Lee & Utecht

[57] **CLAIM**

The ornamental design for a water vehicle, as shown and described.

DESCRIPTION

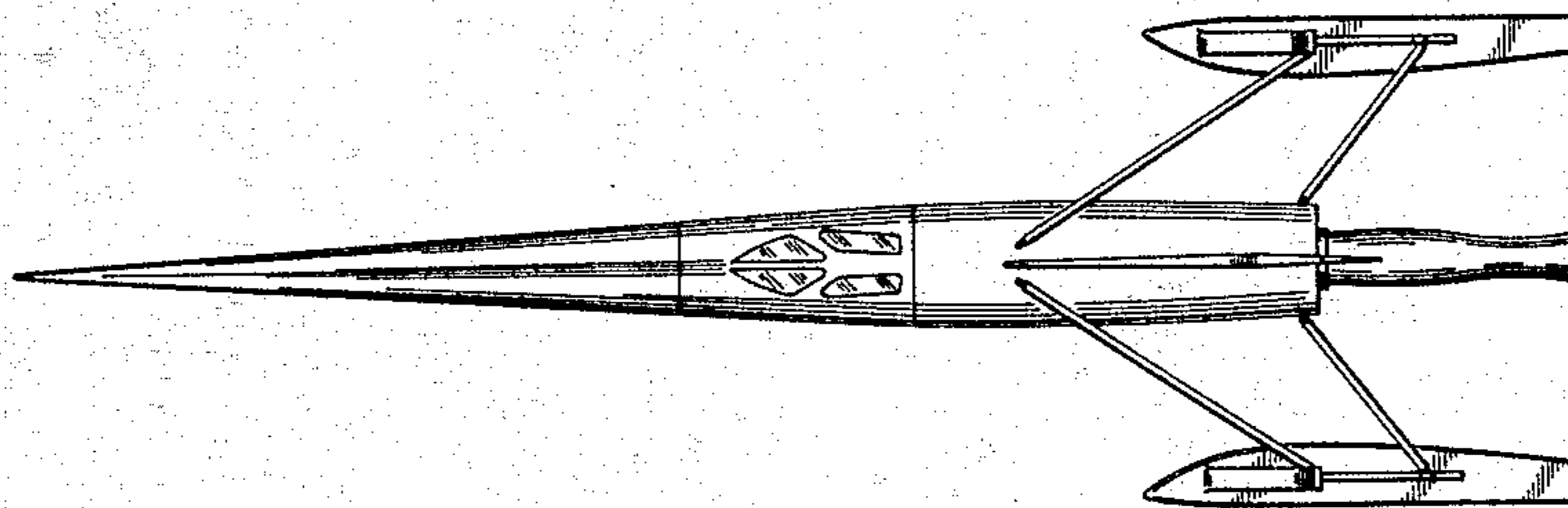
FIG. 1 is a left side elevational view of a water vehicle showing my new design, the right side being a mirror image of that shown;

FIG. 2 is a top plan view thereof;

FIG. 3 is a bottom plan view thereof;

FIG. 4 is a front elevational view thereof; and

FIG. 5 is a rear elevational view thereof.



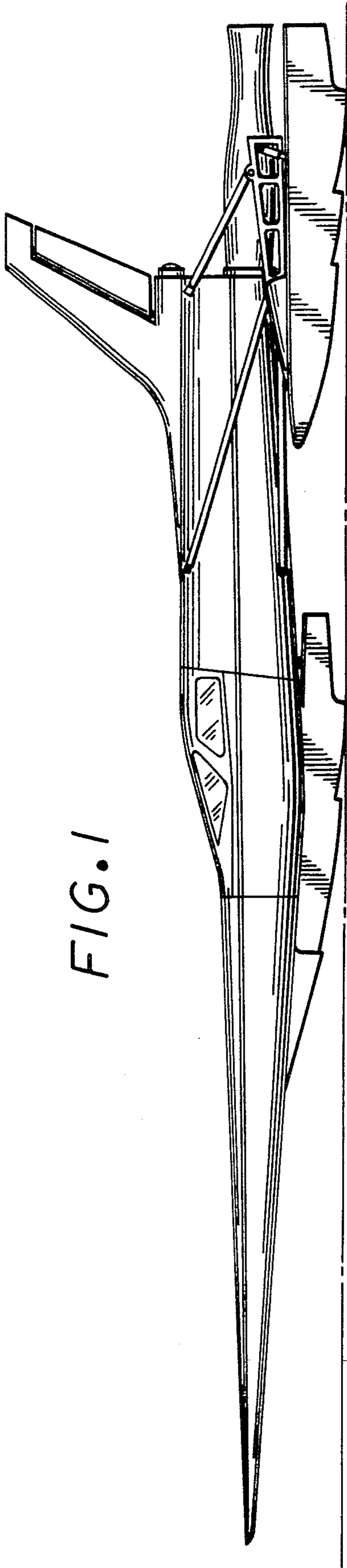


FIG. 1

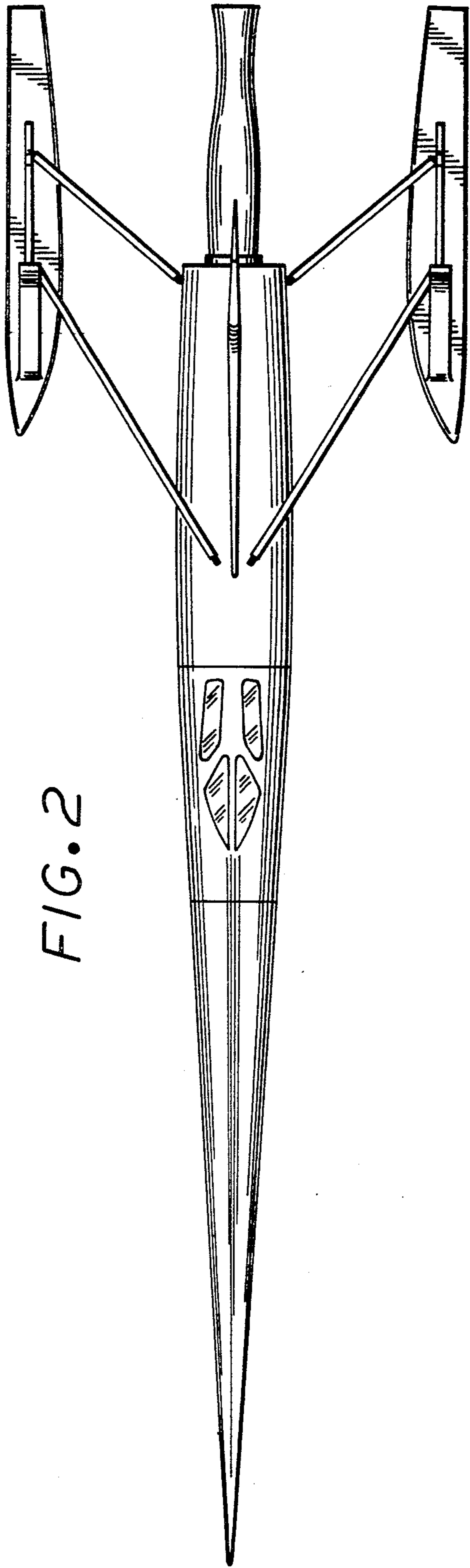


FIG. 2

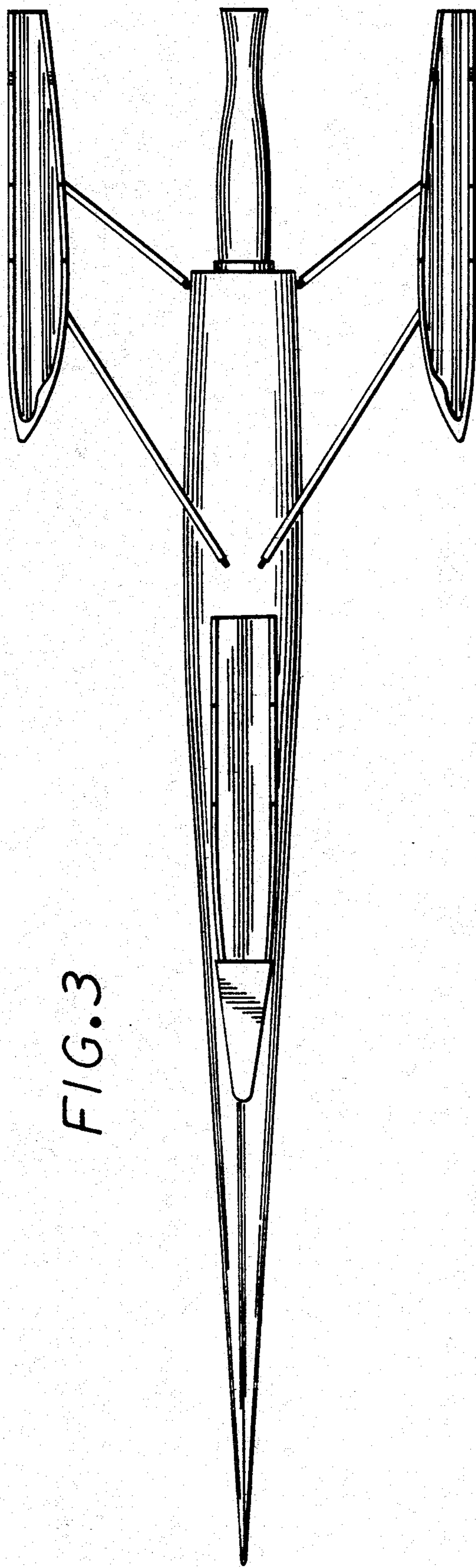


FIG. 3

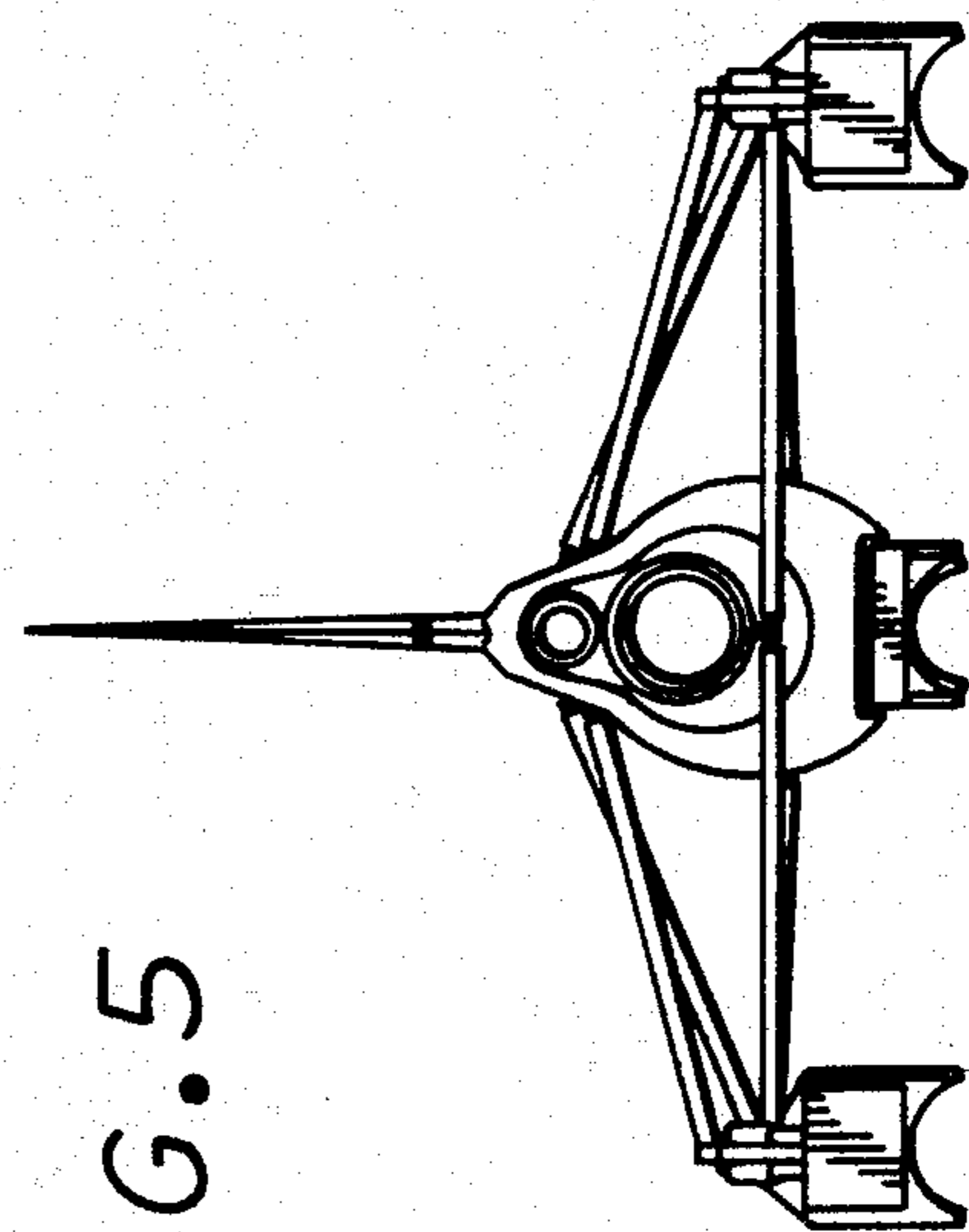


FIG. 5

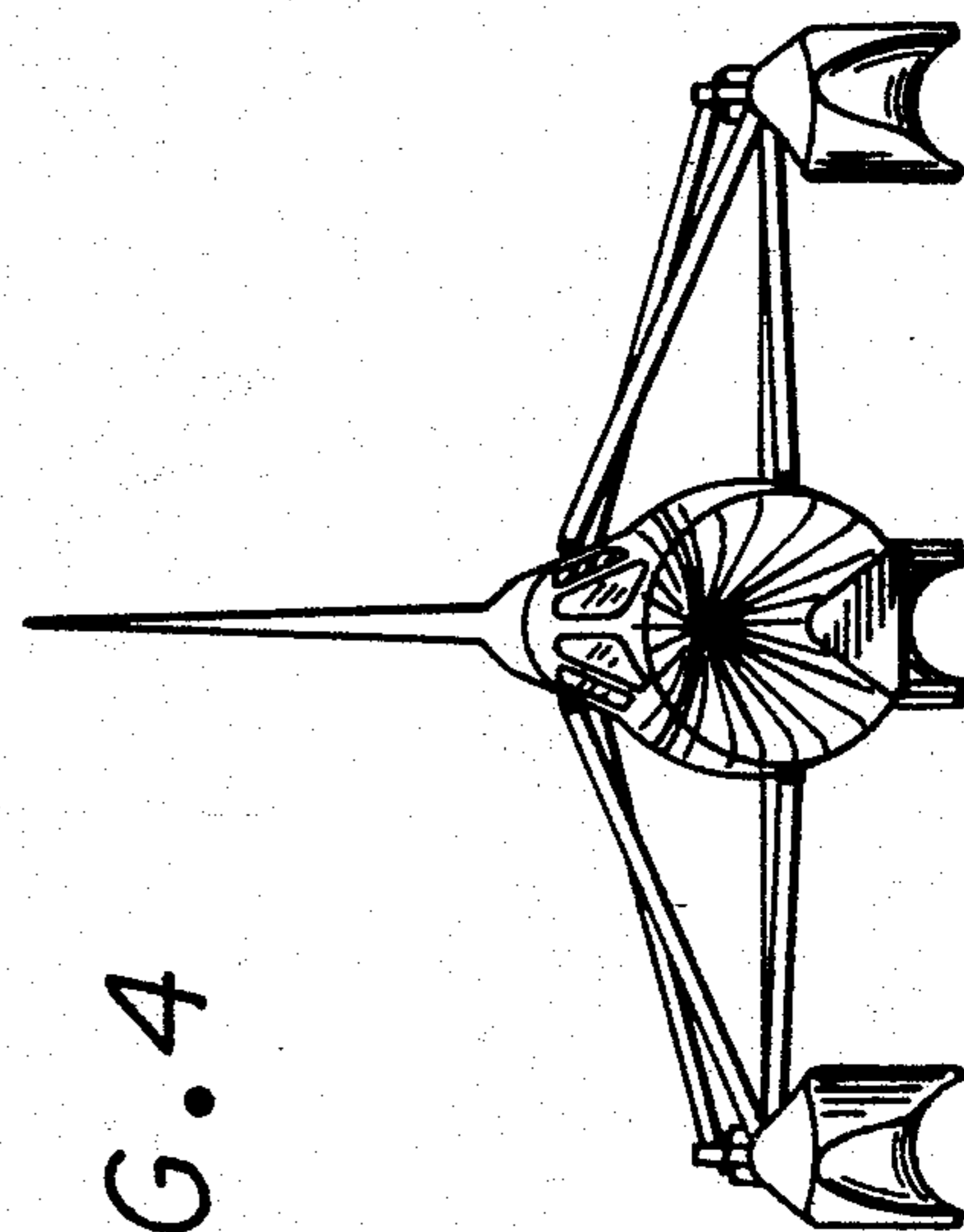


FIG. 4