

[54] TRUCK TOOL BOX

[75] Inventor: John E. Waters, Waco, Tex.

[73] Assignee: Advanced Plastics, Inc., Jonesboro, Ark.

[**] Term: 14 Years

[21] Appl. No.: 516,776

[22] Filed: Jul. 25, 1983

[52] U.S. Cl. D12/157

[58] Field of Search D12/157; D3/40, 78; 224/42.11, 42.42, 42.46 R; 296/37.6

[56] References Cited

U.S. PATENT DOCUMENTS

- D. 258,950 4/1981 Wright D12/157
- D. 259,413 6/1981 Rehkopf D12/157
- D. 271,009 10/1983 Fishler D12/157

OTHER PUBLICATIONS

J. C. Whitney Catalog No. 366F ©1977, p. 48, Double Lid Storage Box for Pick-up Trucks, center right side of page.

Primary Examiner—James M. Gandy
Attorney, Agent, or Firm—Crutsinger, Booth & Ross

[57] CLAIM

The ornamental design for truck tool box, as shown and described.

DESCRIPTION

FIG. 1 is a top front perspective view of one embodiment of the truck tool box with the lids closed;
 FIG. 2 is a top rear perspective view of the truck tool box of FIG. 1;
 FIG. 3 is a bottom rear perspective view of the truck tool box of FIG. 1;
 FIG. 4 is a bottom front perspective view of the truck tool box of FIG. 1;
 FIG. 5 is a left side elevation view of the truck tool box of FIG. 1;
 FIG. 6 is a top plan view of the truck tool box of FIG. 1;
 FIG. 7 is a front elevation view of the truck tool box of FIG. 1;
 FIG. 8 is a rear elevation view of the truck tool box of FIG. 1;
 FIG. 9 is a top front perspective view of a second embodiment of the truck tool box with the lids closed;
 FIG. 10 is a top-rear perspective view of the truck tool box of FIG. 9;
 FIG. 11 is a bottom rear perspective view of the truck tool box of FIG. 9;
 FIG. 12 is a bottom front perspective view of the truck tool box of FIG. 9;
 FIG. 13 is a left side elevation view of the truck tool box of FIG. 9;
 FIG. 14 is a front elevation view of the truck tool box of FIG. 9; and
 FIG. 15 is a rear elevation view of the truck tool box of FIG. 9.

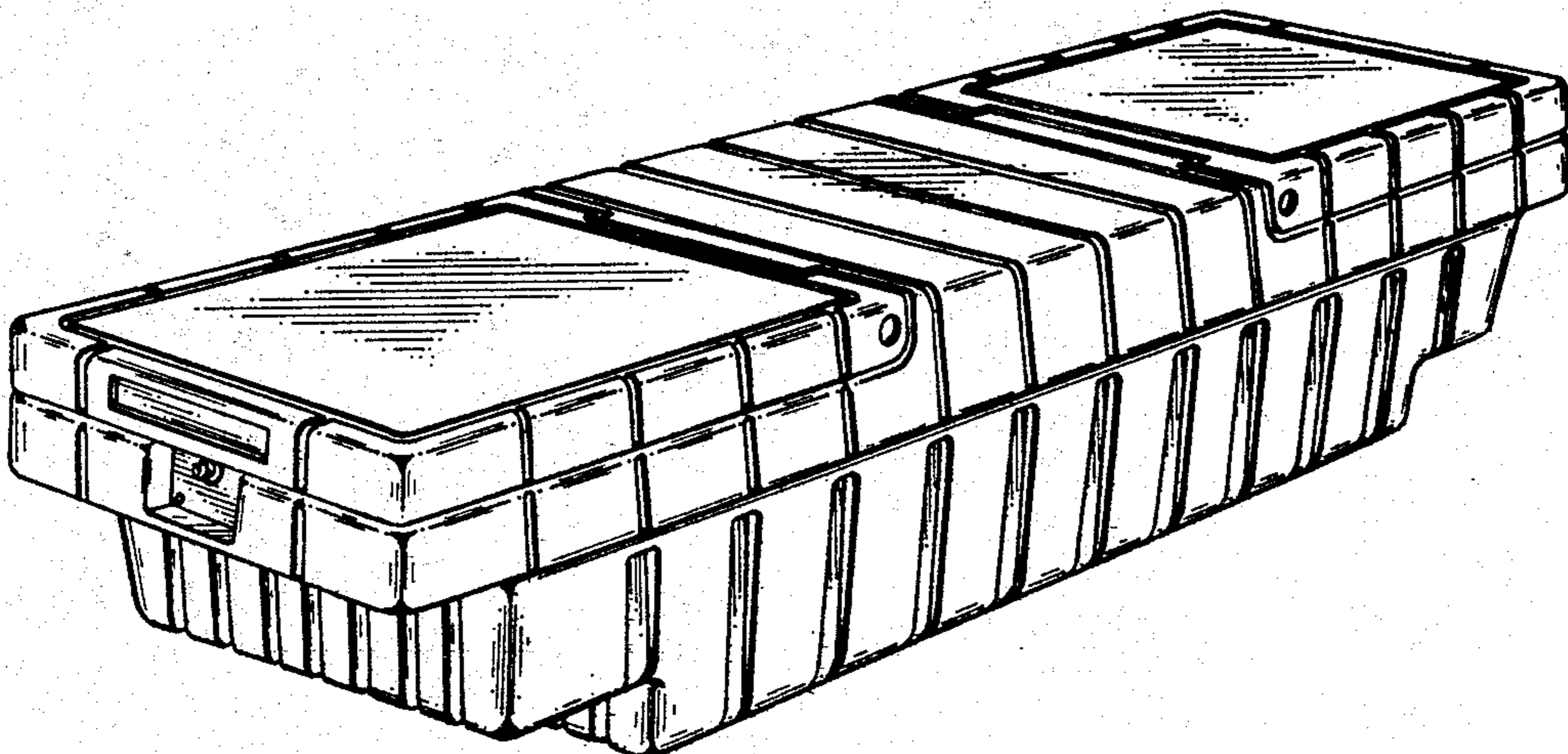


FIG. 1

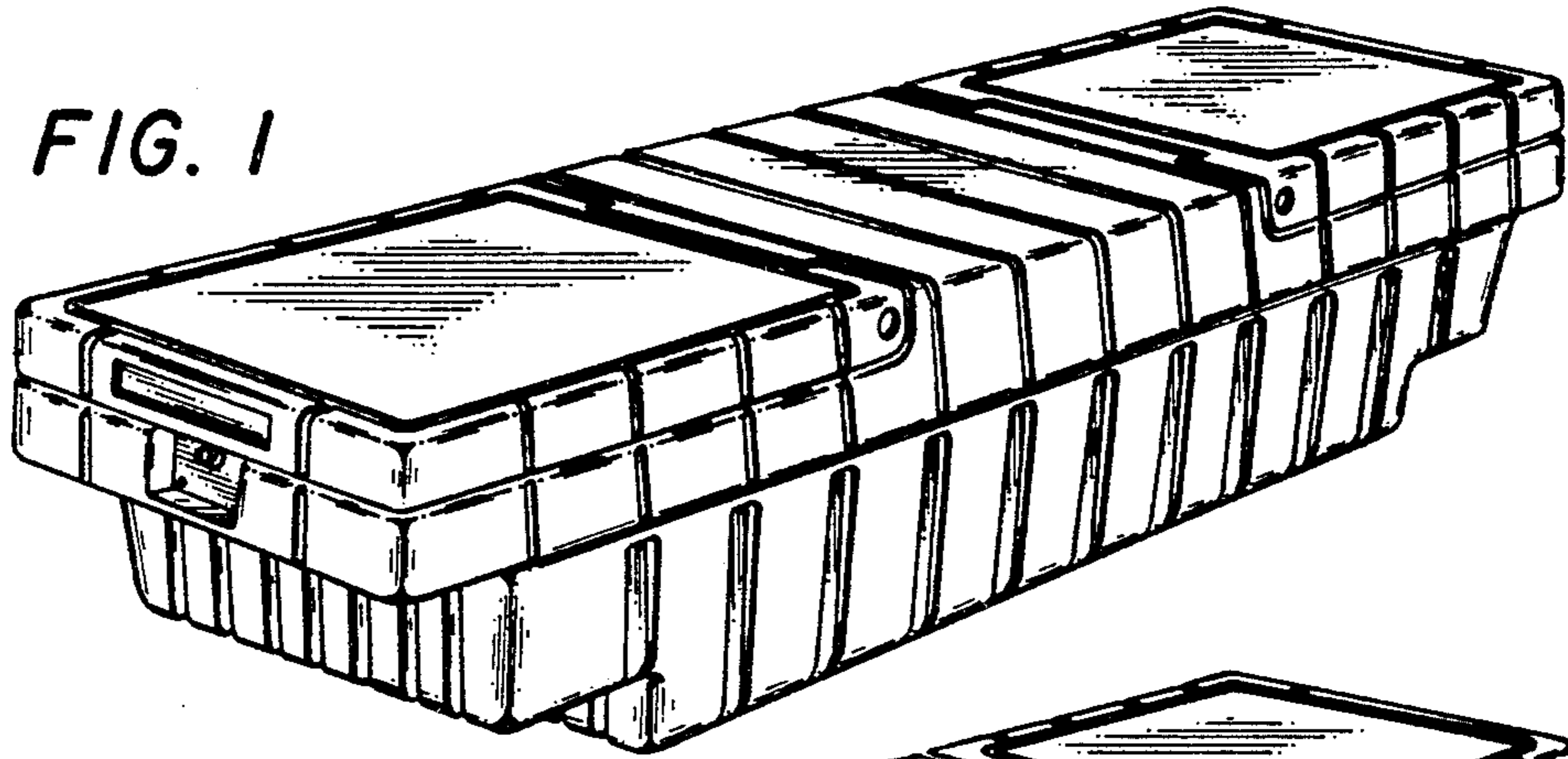


FIG. 2

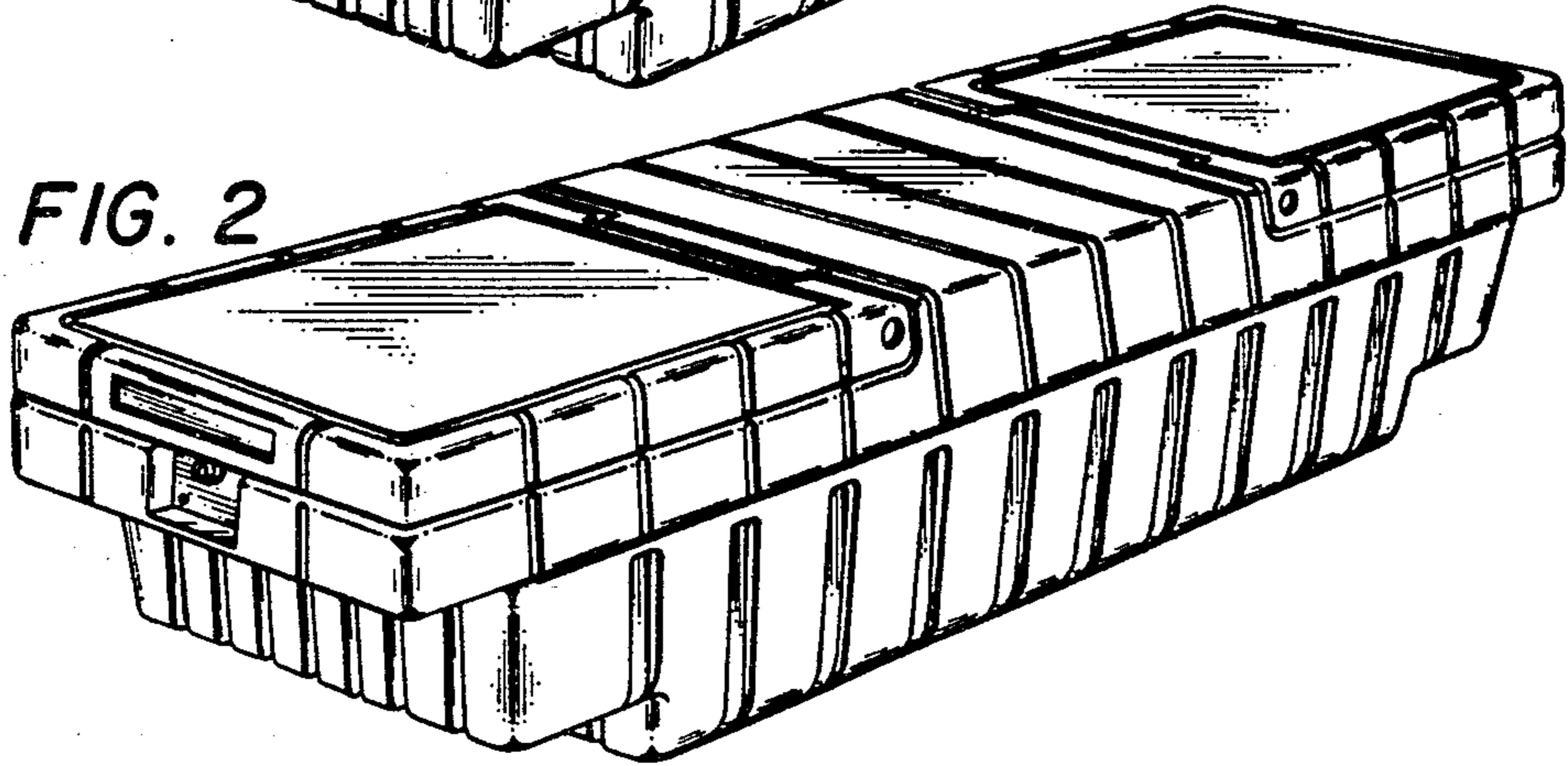


FIG. 3

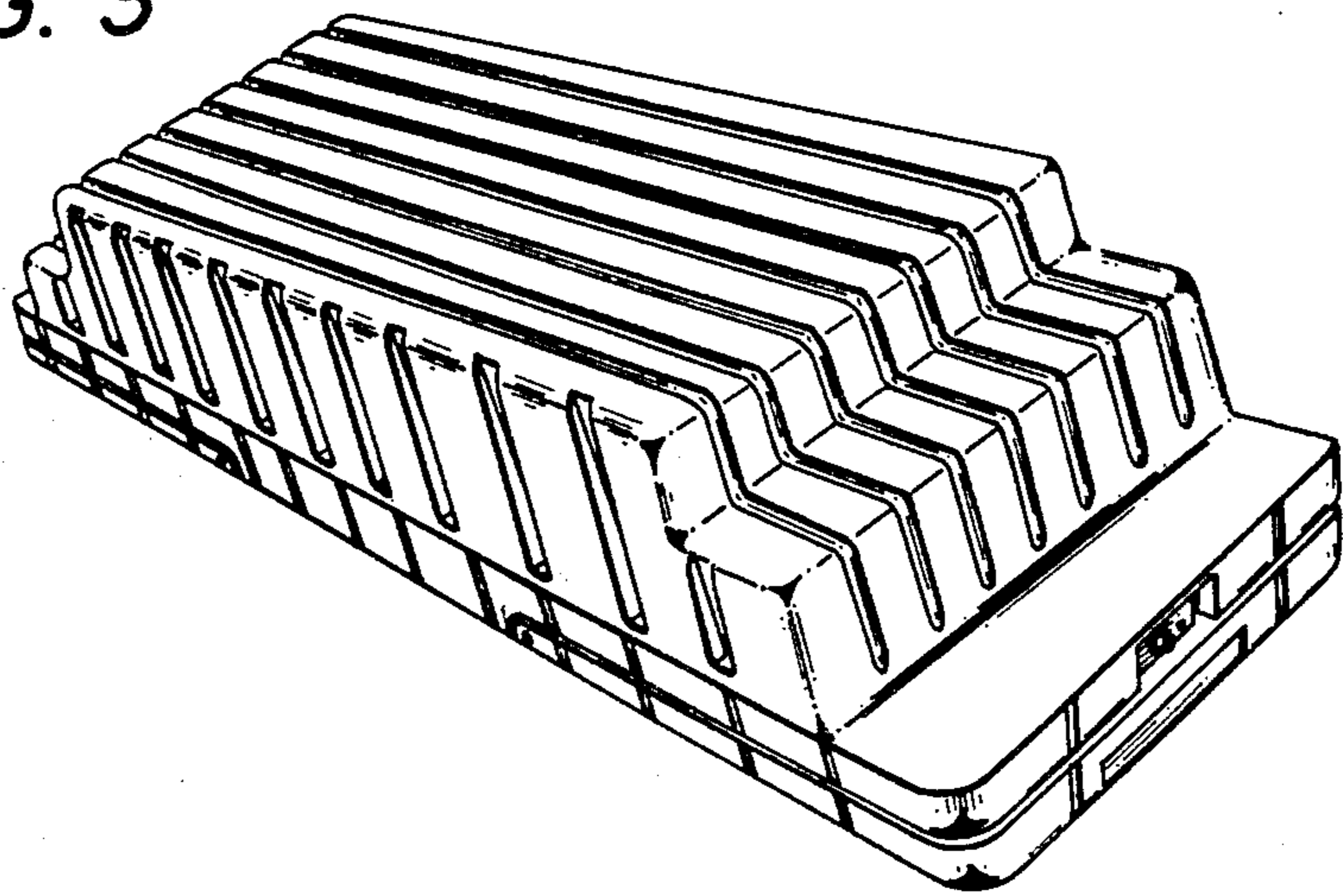


FIG. 4

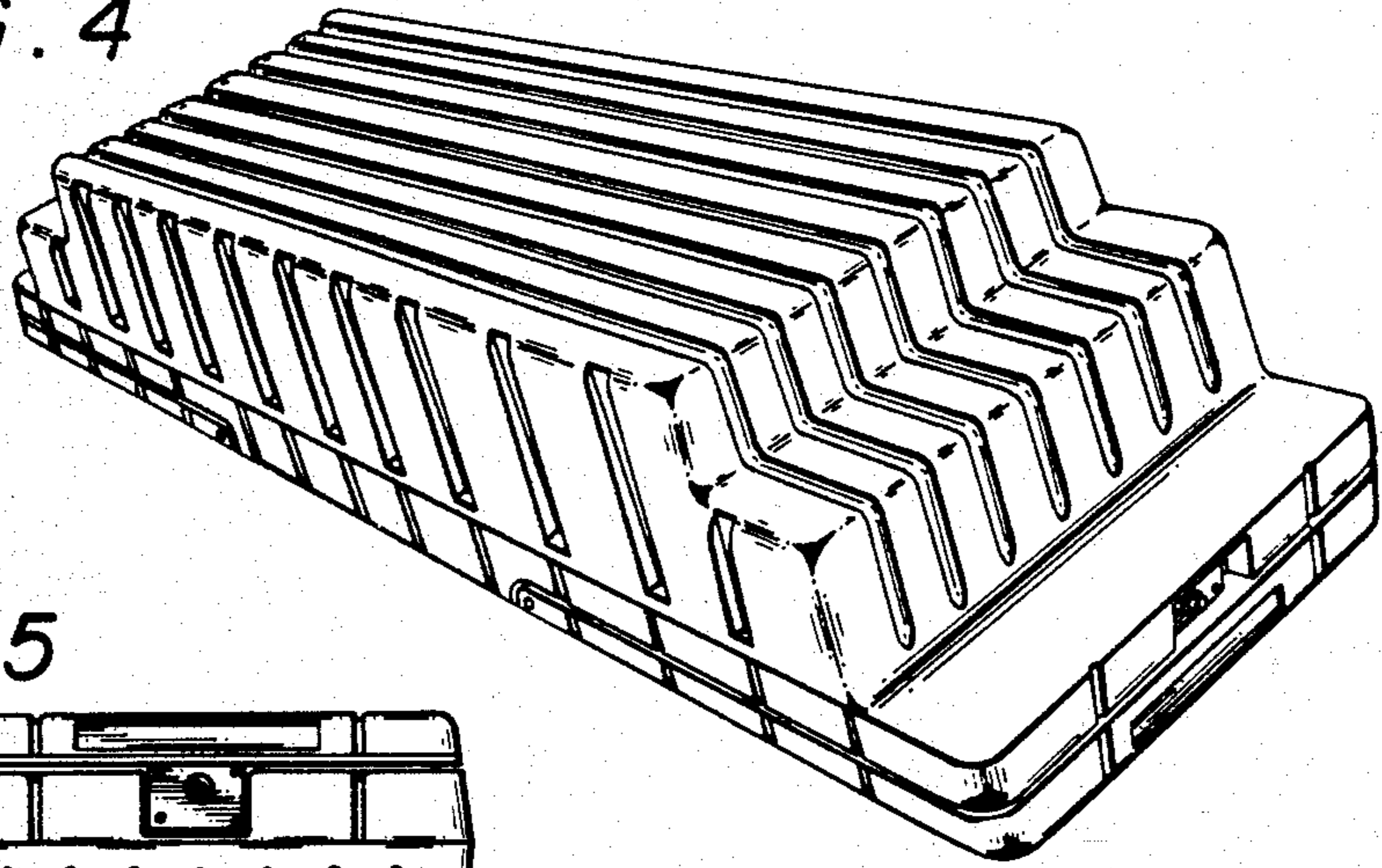


FIG. 5

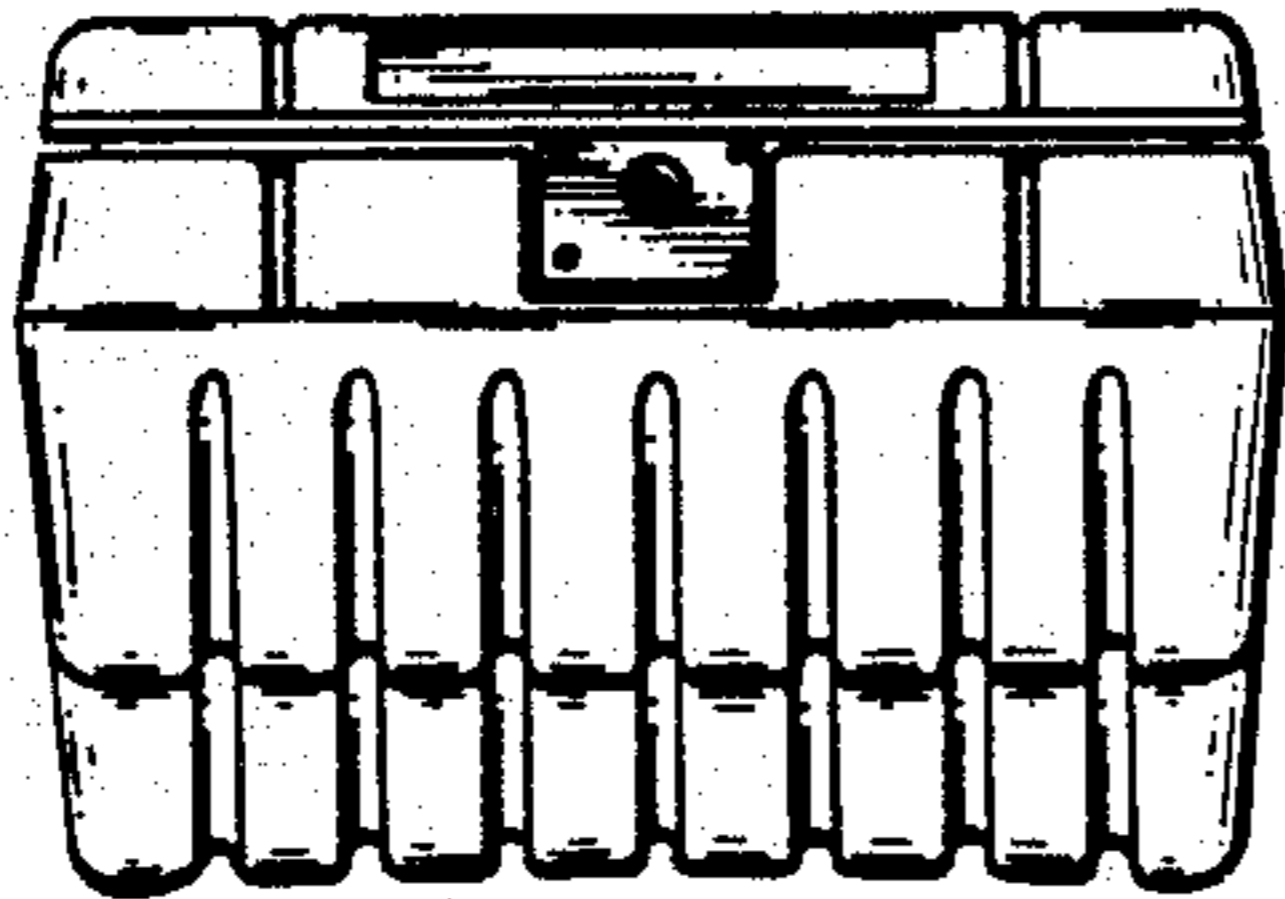


FIG. 6

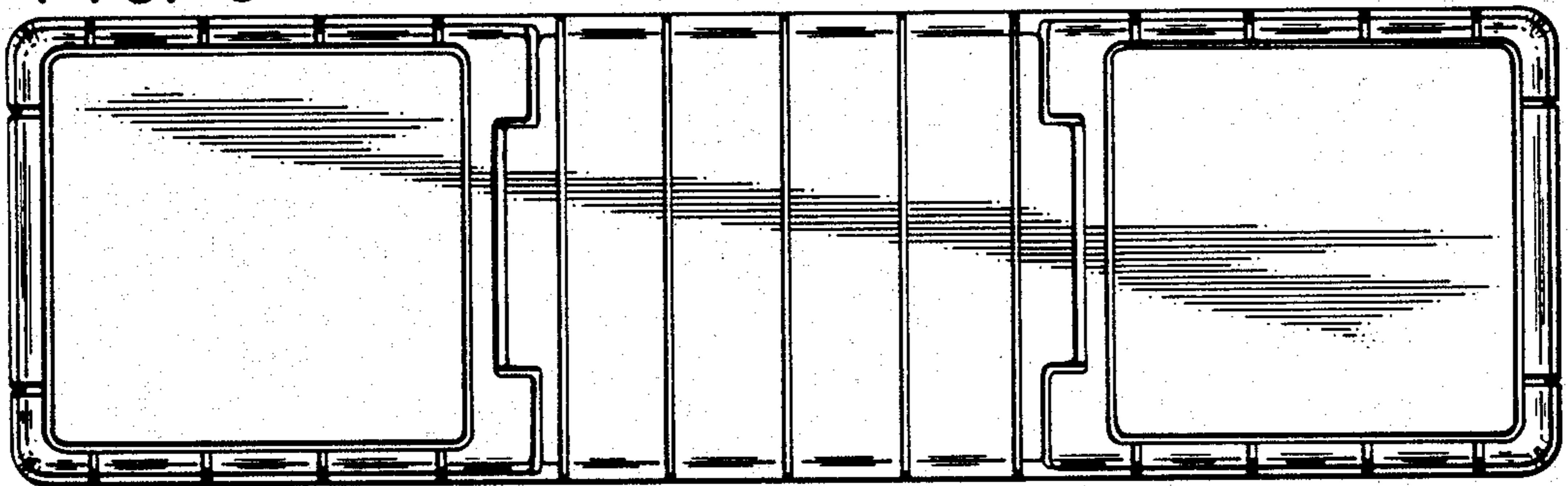


FIG. 7

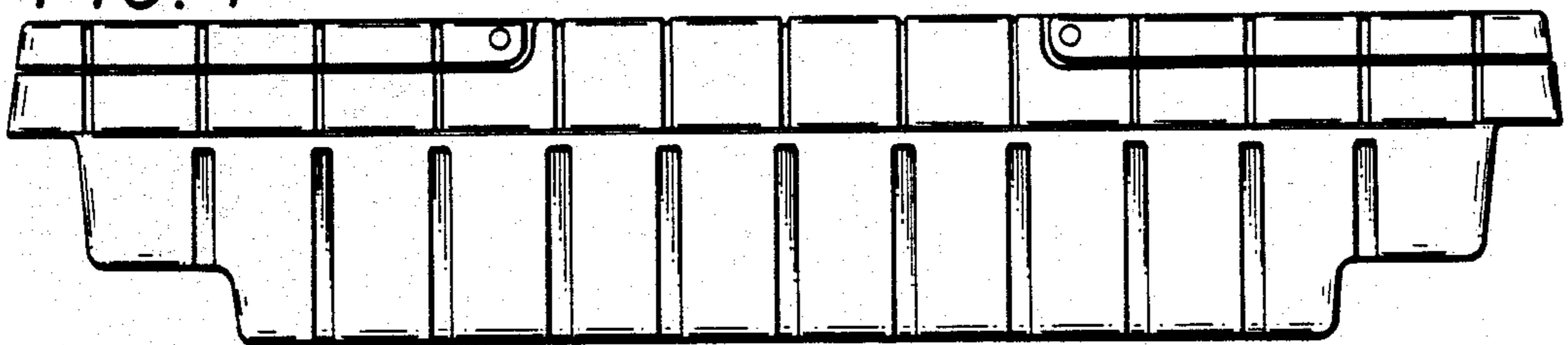
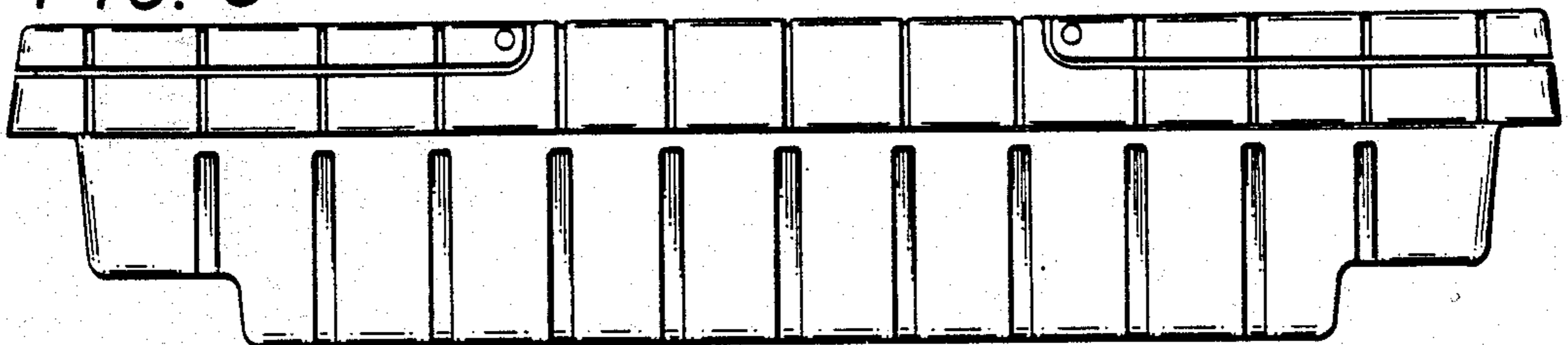


FIG. 8



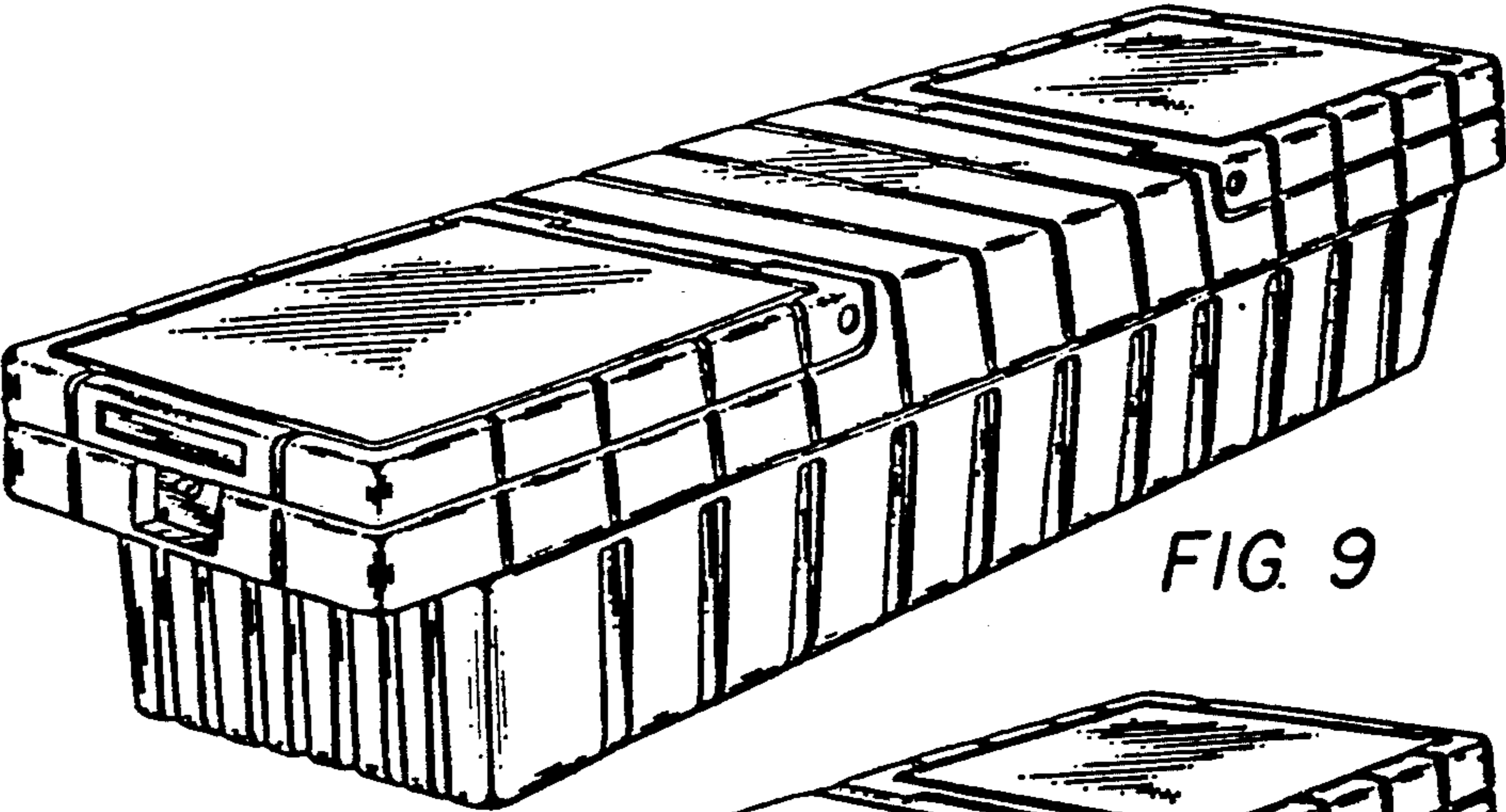


FIG. 9

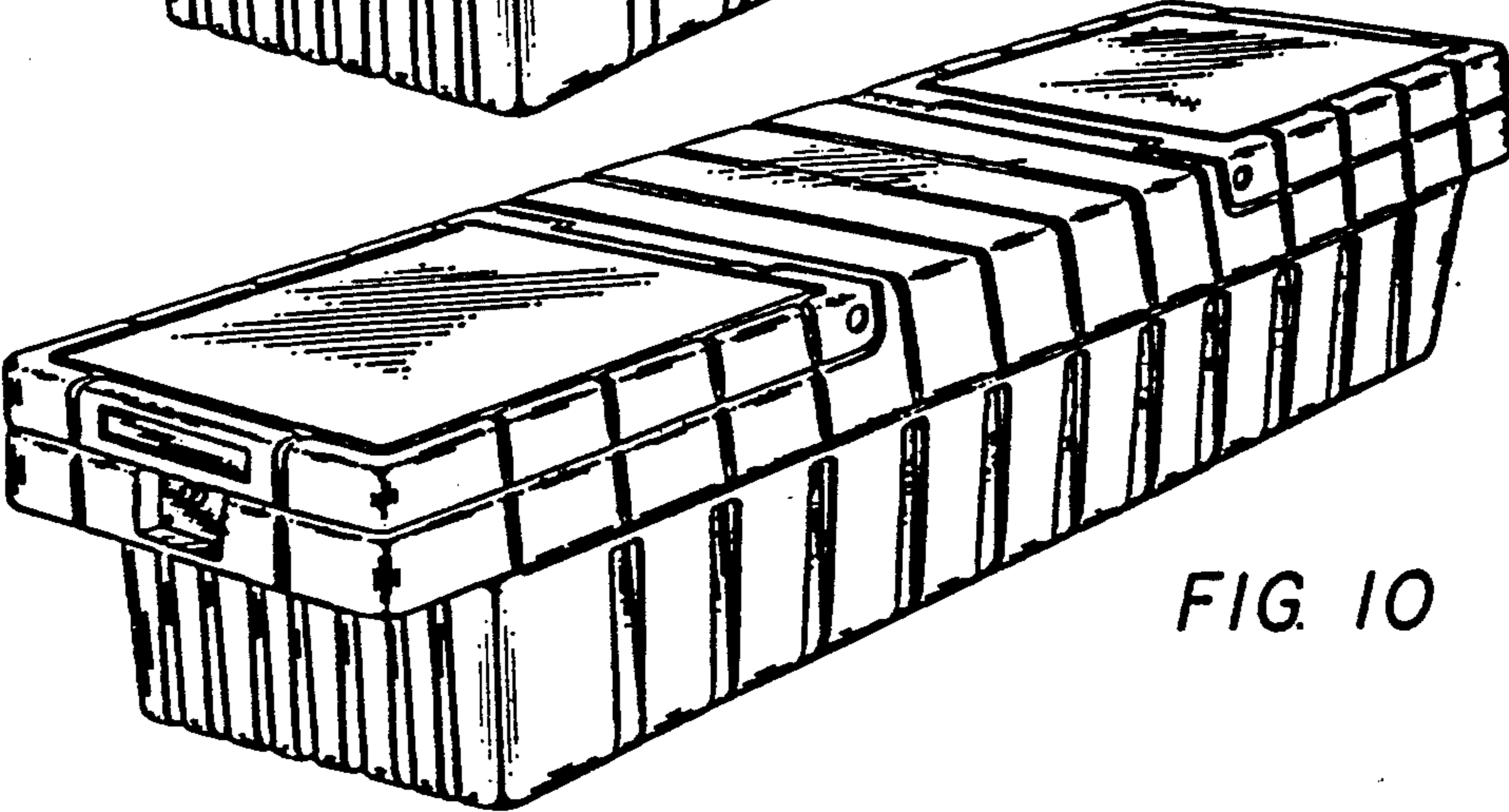


FIG. 10

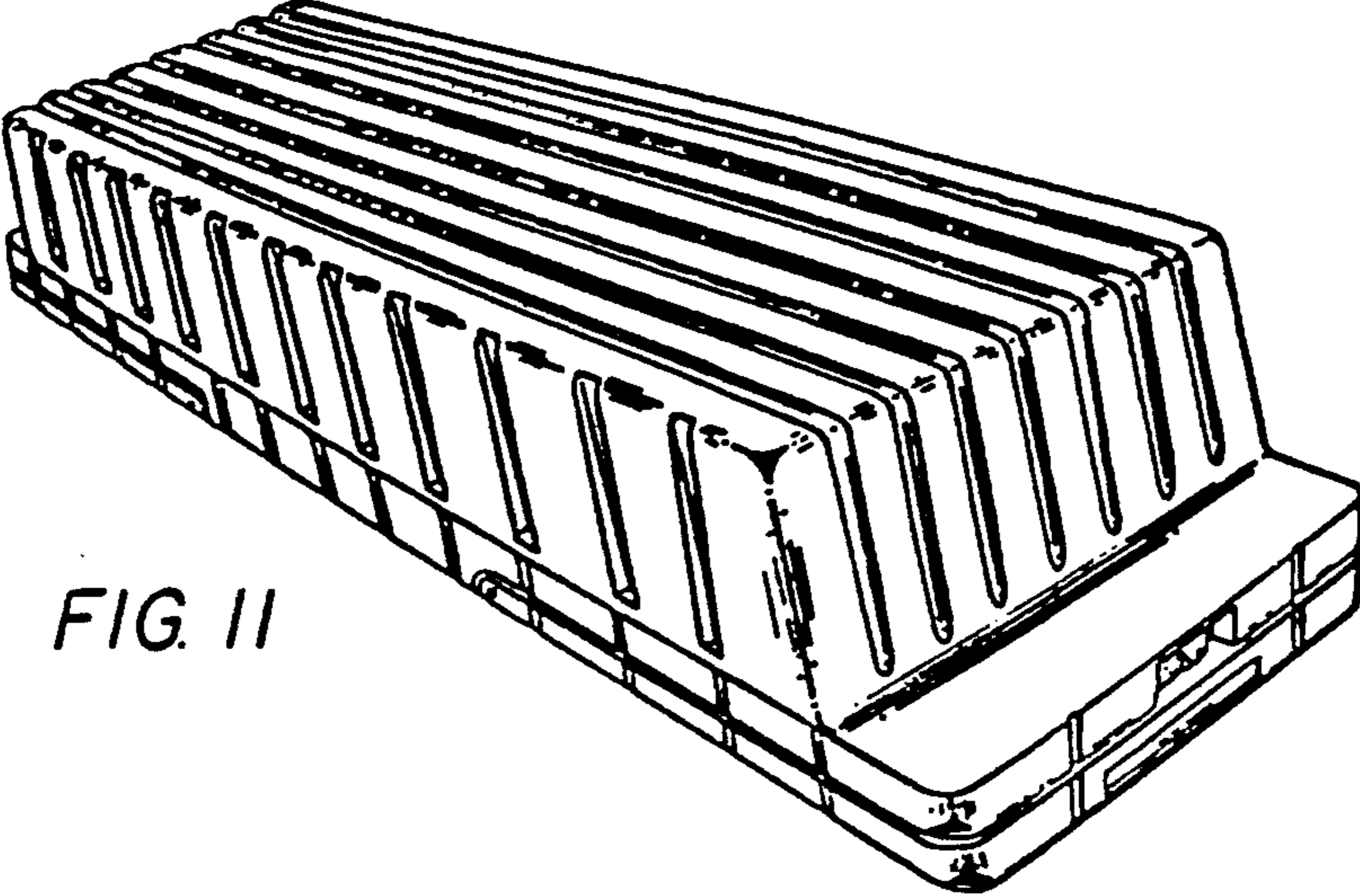


FIG. 11

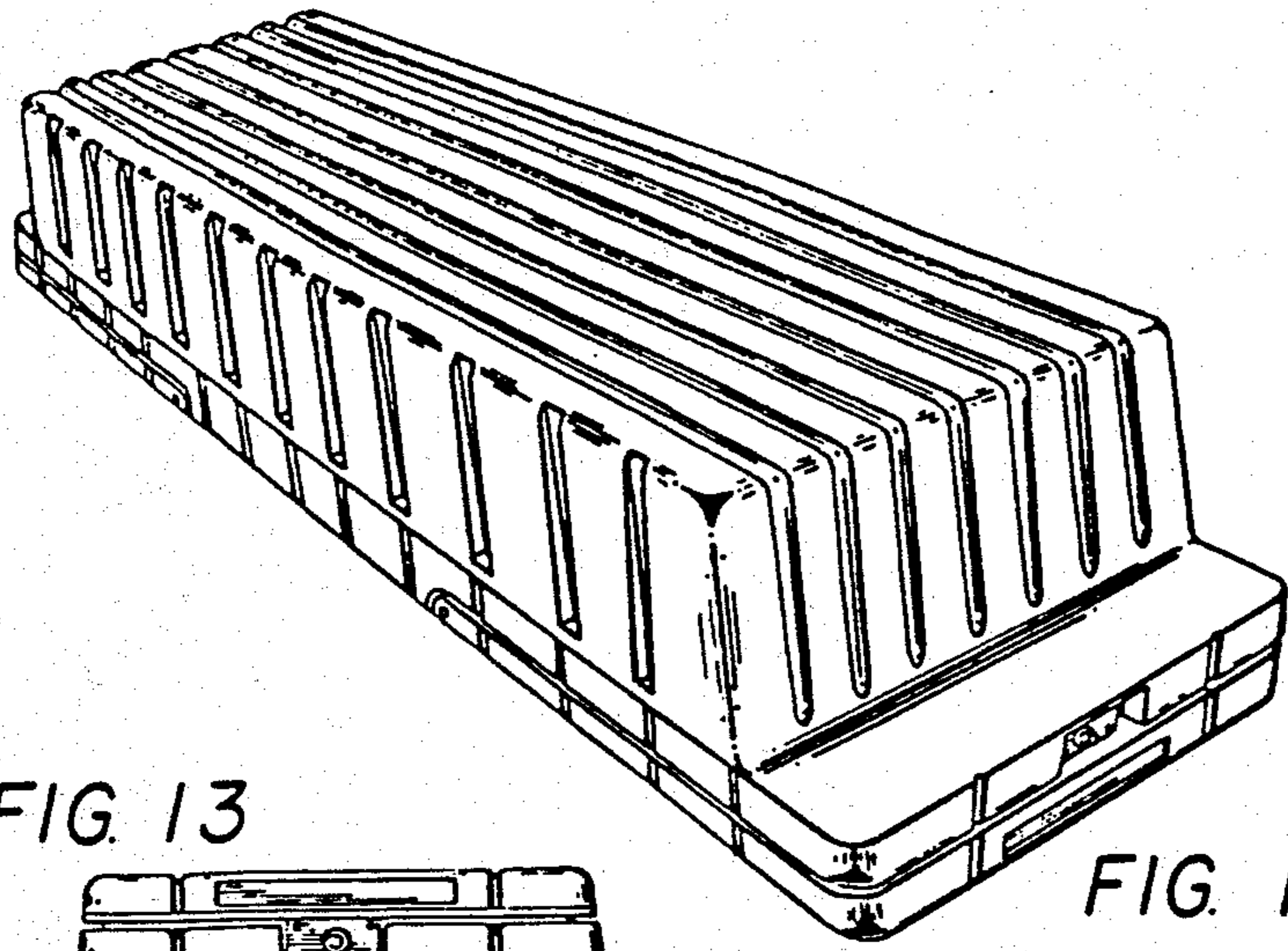


FIG. 13

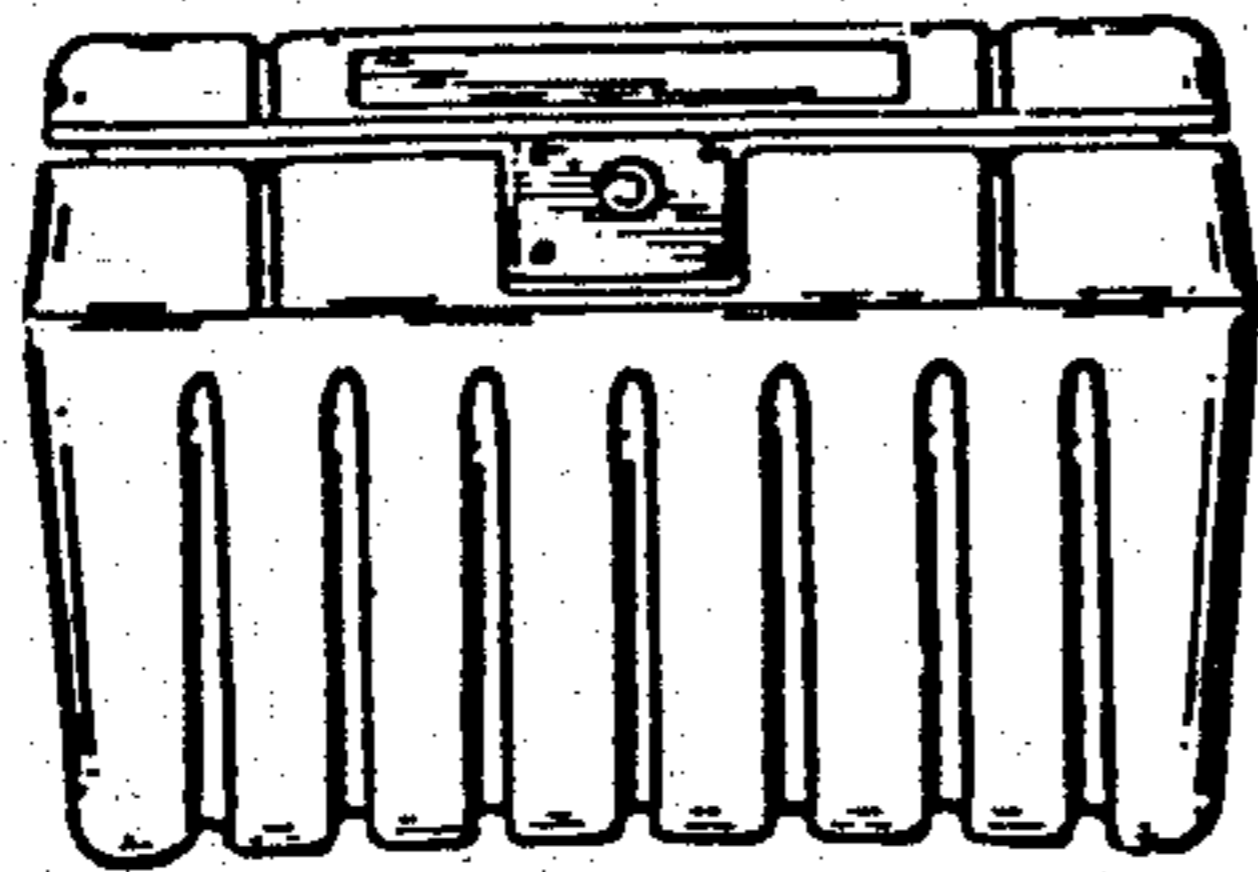


FIG. 12

FIG. 14

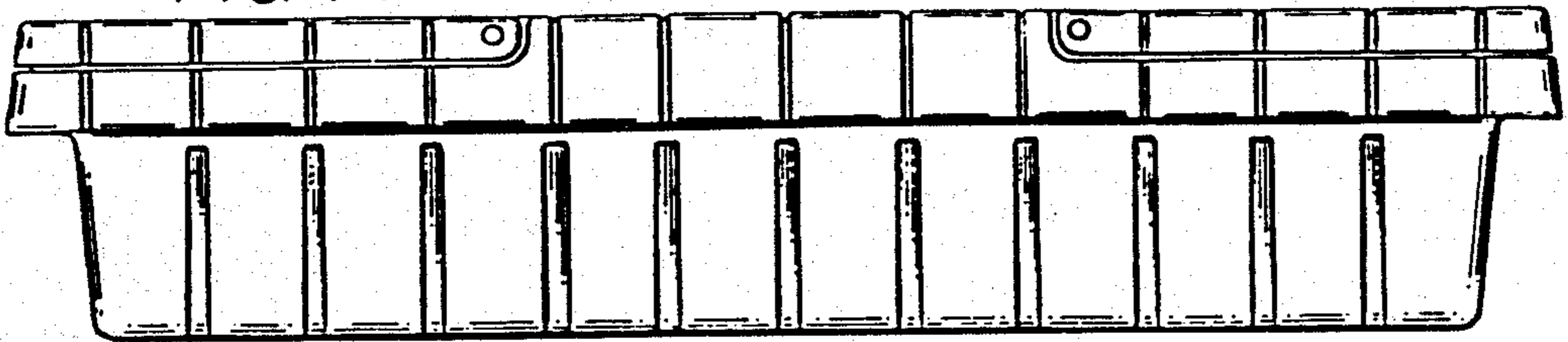


FIG. 15

