

[54] ELECTRICAL MEASURING INSTRUMENT

[75] Inventors: Peter G. Nichols, Dover; David C. Tedd, Folkestone; Terence M. Friend, Nr. Dover; Christopher L. Steggall, London, all of England

[73] Assignee: Thorn EMI Instruments Limited, Dover, England

[\*\*] Term: 14 Years

[21] Appl. No.: 475,936

[22] Filed: Mar. 16, 1983

[30] Foreign Application Priority Data

Oct. 15, 1982 [GB] United Kingdom ..... 821009279

[52] U.S. Cl. .... D10/79

[58] Field of Search ..... D10/78, 79, 46, 102, D10/103, 94; 324/127, 129, 156; 336/176, 178

[56] References Cited

U.S. PATENT DOCUMENTS

D. 247,353 2/1978 Kuramoto ..... D10/79

D. 261,627 11/1981 Kuramoto ..... D10/79  
2,326,909 8/1943 Wolferz et al. .... 324/127  
3,465,250 9/1969 Schilling ..... 324/127

OTHER PUBLICATIONS

Industrial Equipment News, 11/78, p. S-9, Clamp-On Multimeter, middle col., 2nd row.

Industrial Equipment News, 11/78, p. 102, Sound Level Meter, first col., top row.

Primary Examiner—Nelson C. Holtje

Assistant Examiner—Terry Pfeffer

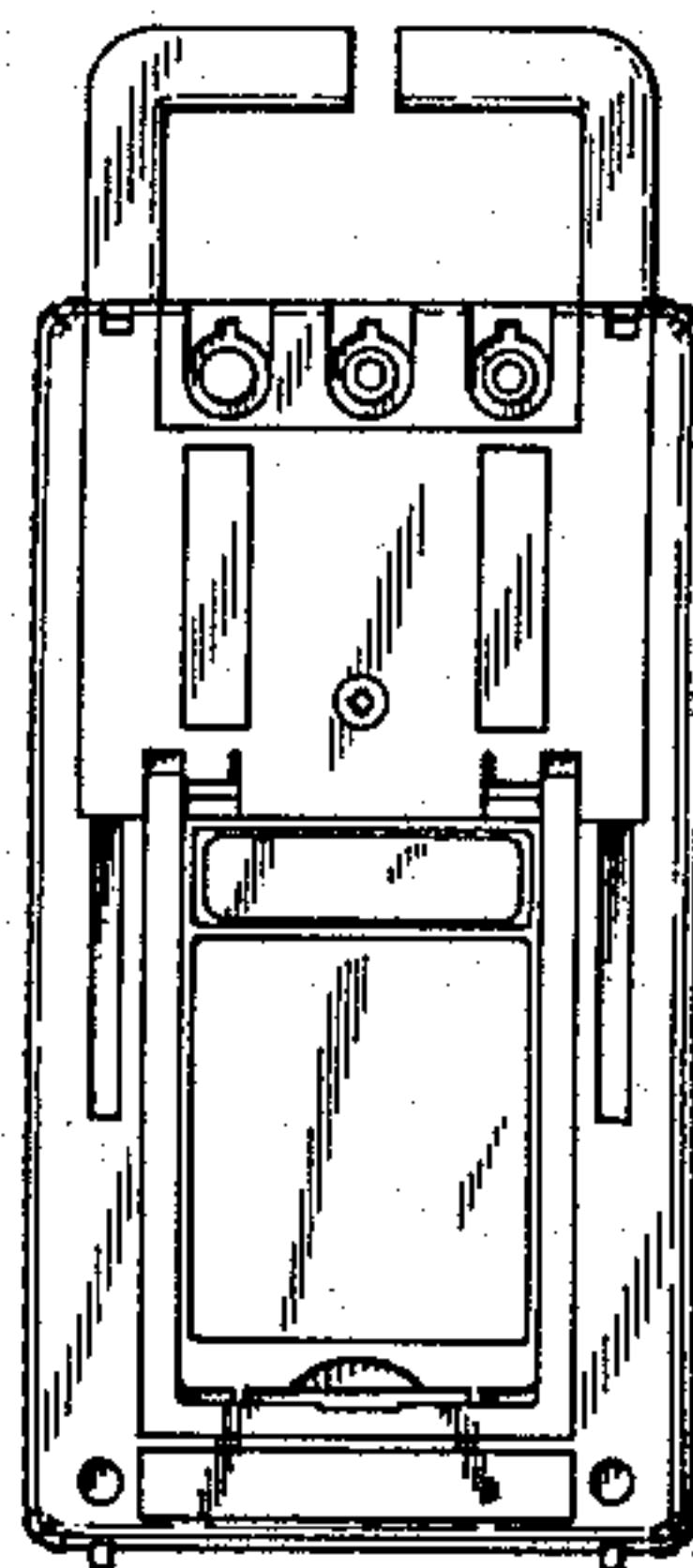
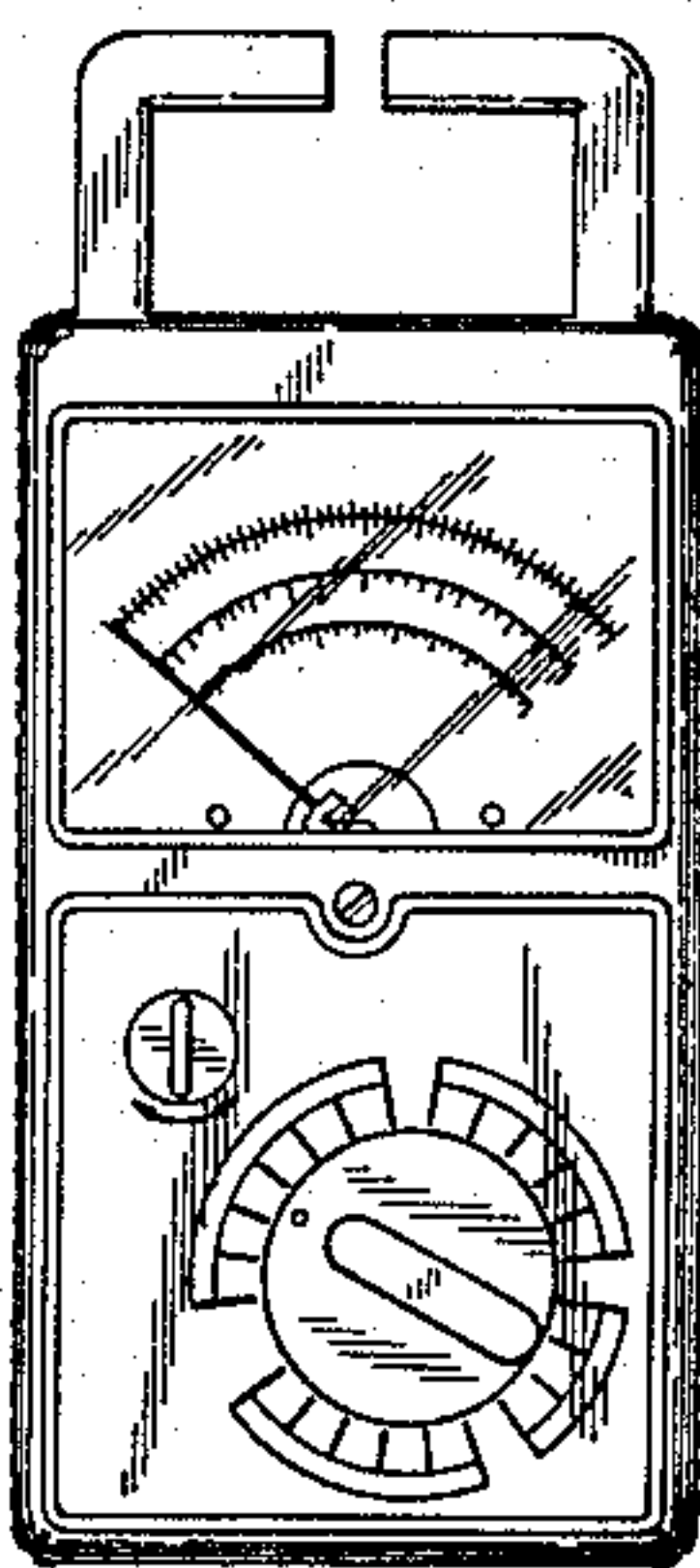
Attorney, Agent, or Firm—Fleit, Jacobson, Cohn & Price

[57] CLAIM

The ornamental design for an electrical measuring instrument, substantially as shown and described.

DESCRIPTION

FIG. 1 is a front elevational view of an electrical measuring instrument showing our new design; FIG. 2 is a rear elevational view thereof; FIG. 3 is a top, rear, left side perspective view thereof; FIG. 4 is a right side elevational view thereof; and FIG. 5 is a bottom plan view thereof.



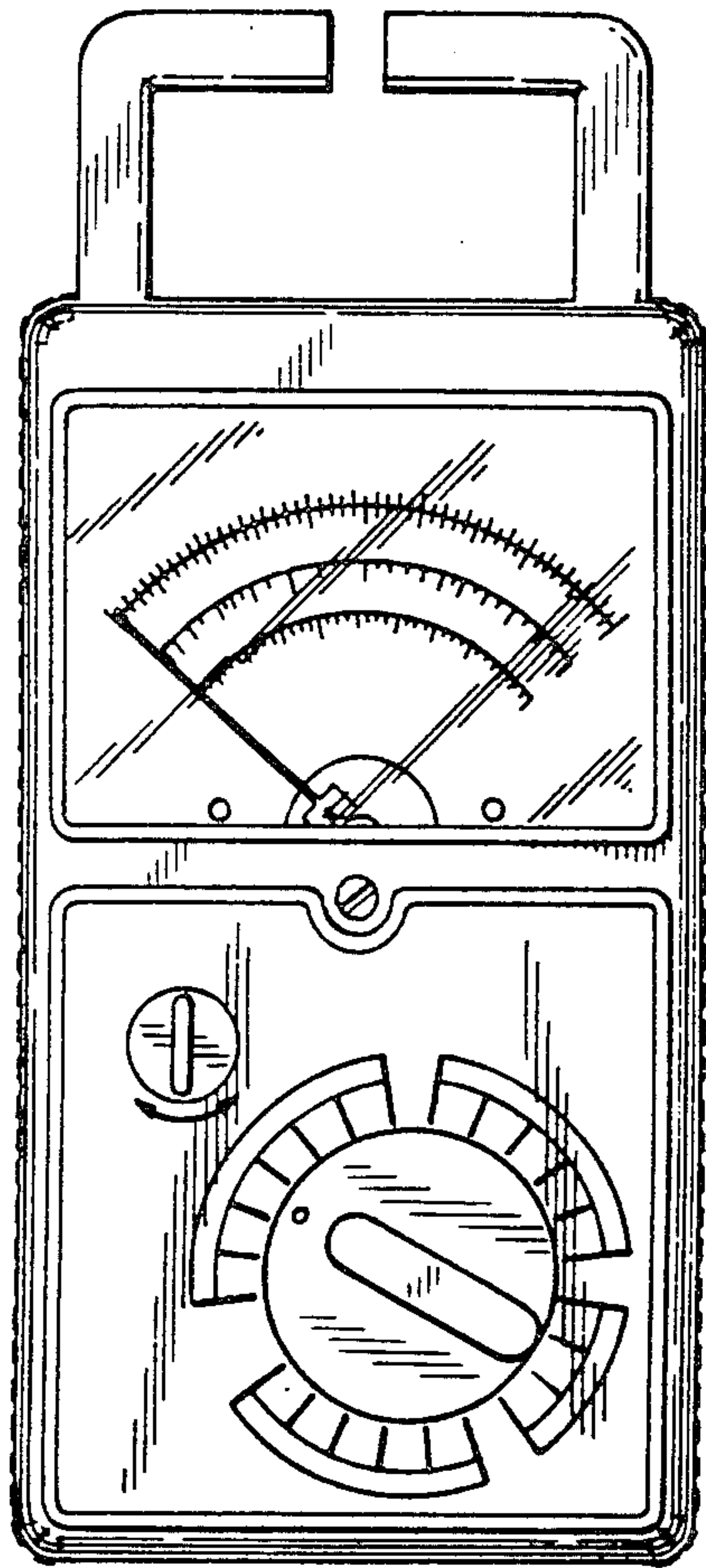


FIG. 1

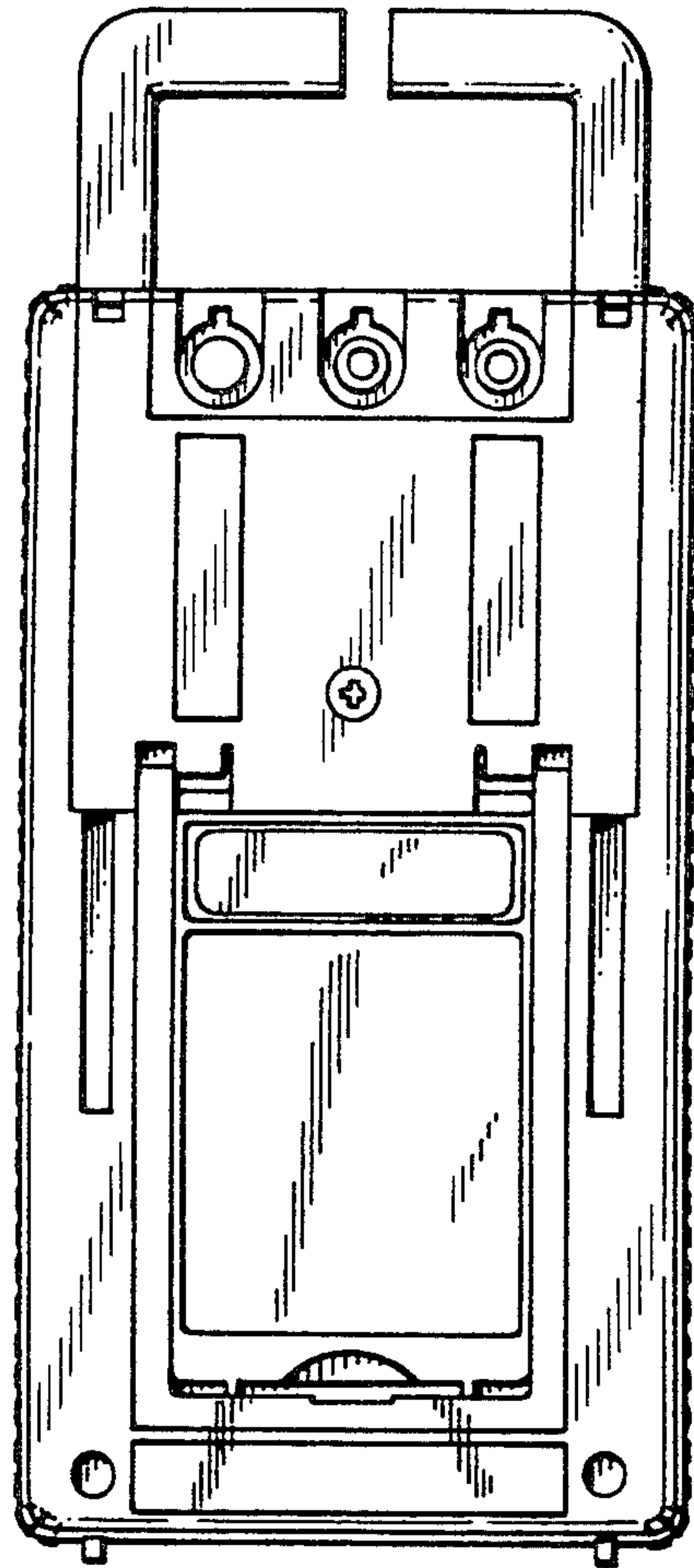


FIG. 2

FIG. 3

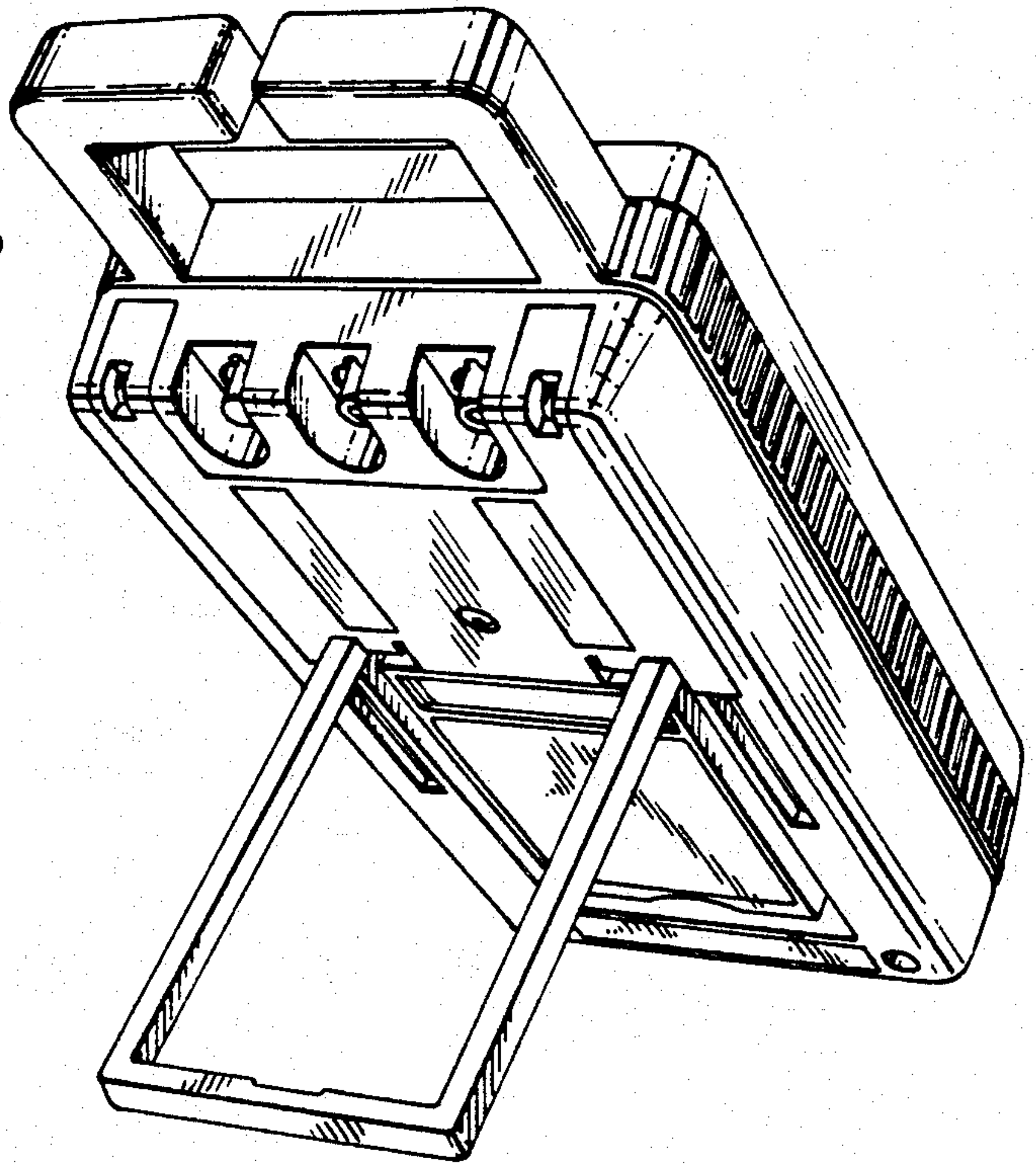


FIG. 4

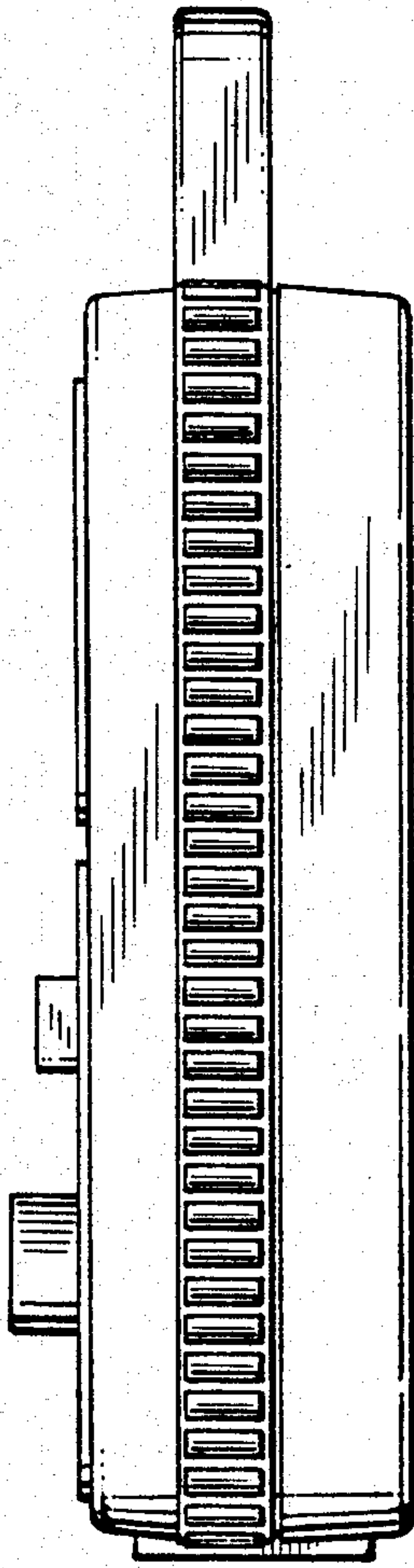


FIG. 5

