

[54] **COMBINED PACKAGING CONTAINER AND LID**

[75] **Inventor: Douglas A. Champion, Toronto, Canada**

[73] **Assignee: Dart Industries Inc., Northbrook, Ill.**

[**] **Term: 14 Years**

[21] **Appl. No.: 485,773**

[22] **Filed: Apr. 18, 1983**

[52] **U.S. Cl. D9/352; D9/428**

[58] **Field of Search 229/1.5 B, 4.5; D9/424, D9/425, 428, 352; D7/51, 6, 17**

[56] **References Cited**

U.S. PATENT DOCUMENTS

D. 219,432 12/1970 Edwards D9/429

D. 241,399	9/1976	Christian	D9/352 X
D. 254,831	4/1980	Smith	D7/17
D. 263,203	3/1982	Haag, Sr.	D9/370
3,912,118	10/1975	Bird	D7/17 X
3,957,097	5/1976	Swett	D7/17 X

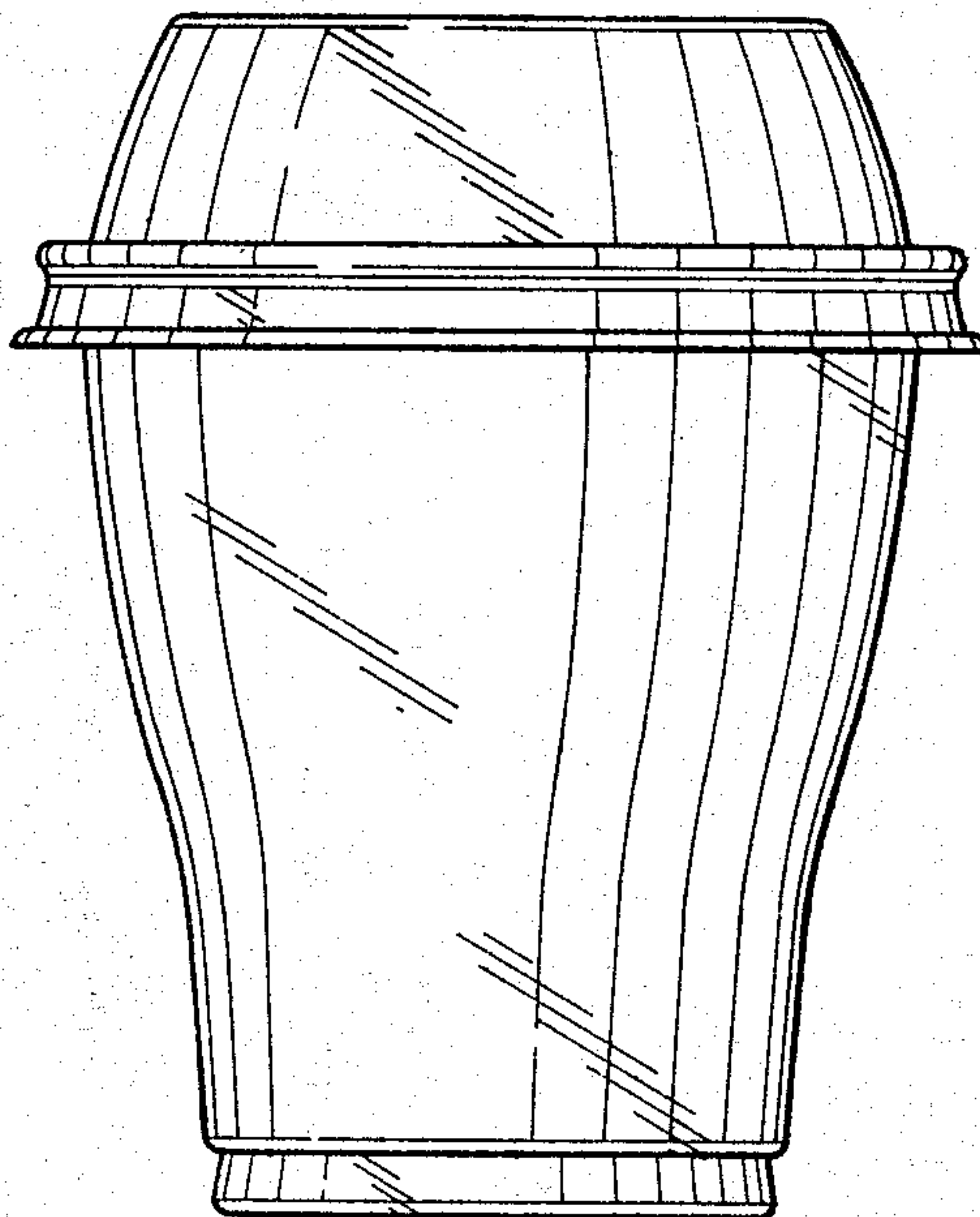
Primary Examiner—Robert C. Spangler
Attorney, Agent, or Firm—Gregory J. Mancuso

[57] **CLAIM**

The ornamental design for a combined packaging container and lid, substantially as shown.

DESCRIPTION

FIG. 1 is a front perspective view of the combined packaging container and lid showing my new design; FIG. 2 is a top plan view thereof; FIG. 3 is a front elevation thereof; FIG. 4 is a bottom plan view thereof.



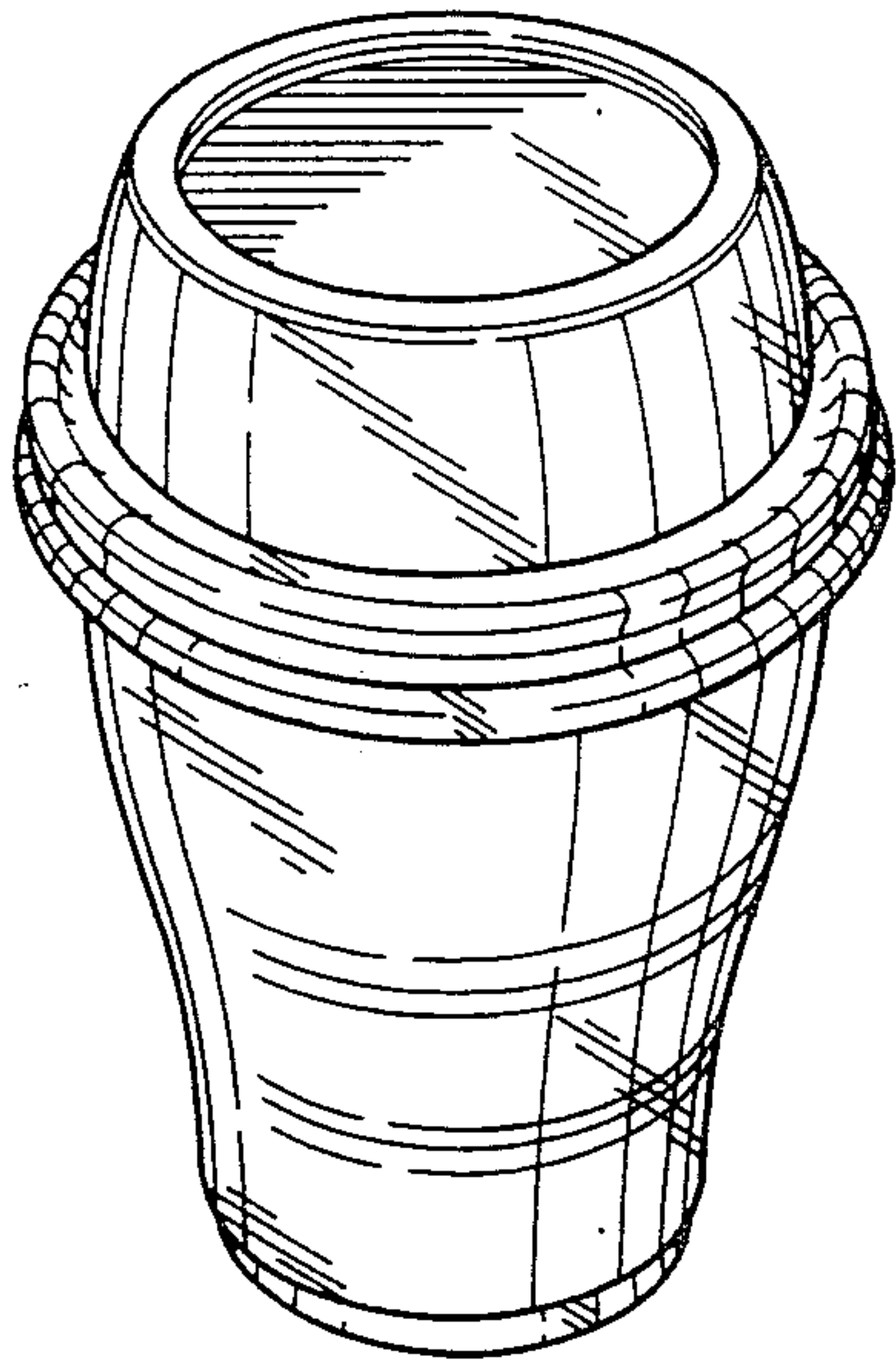


FIG. 1

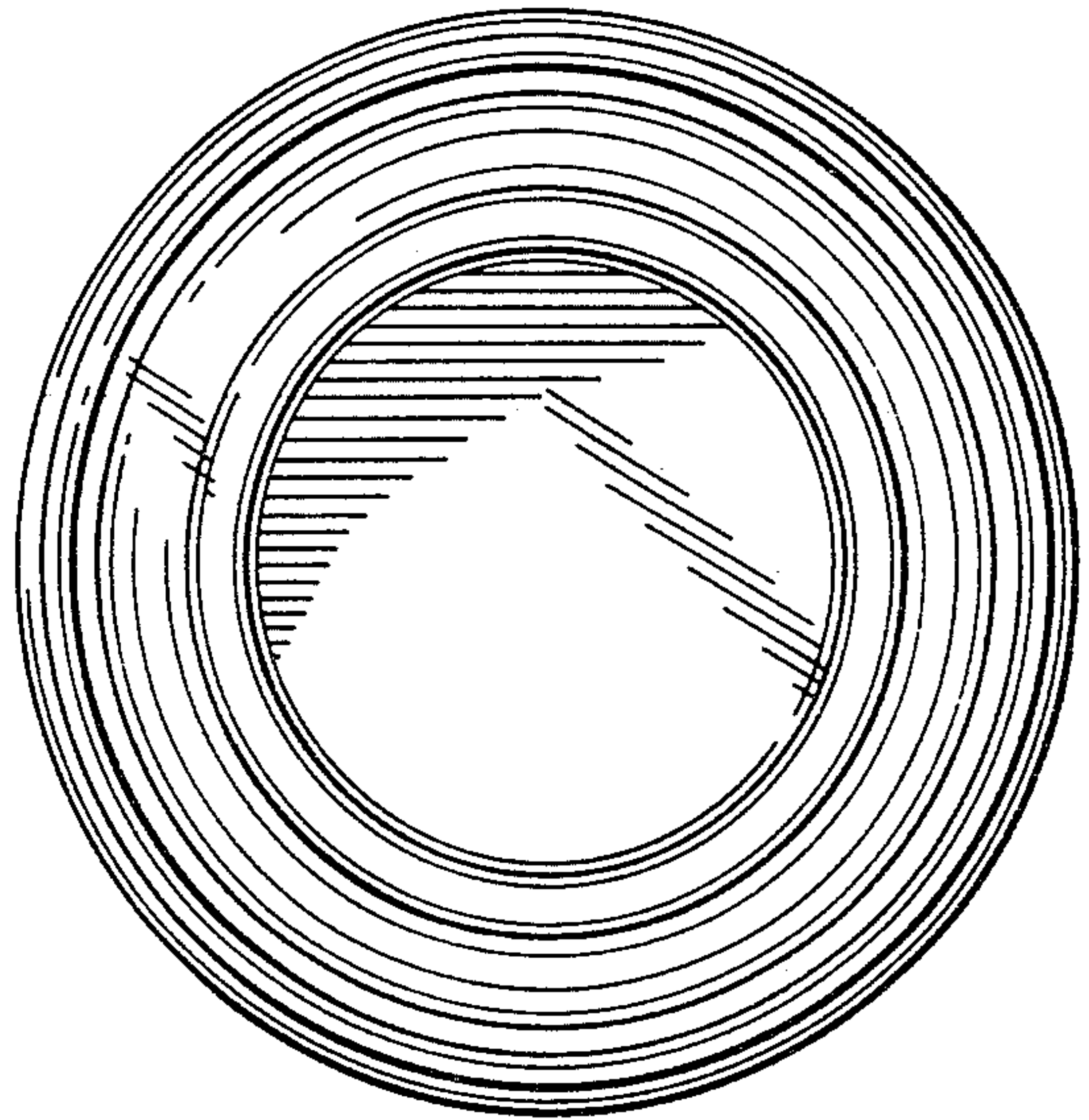


FIG. 2

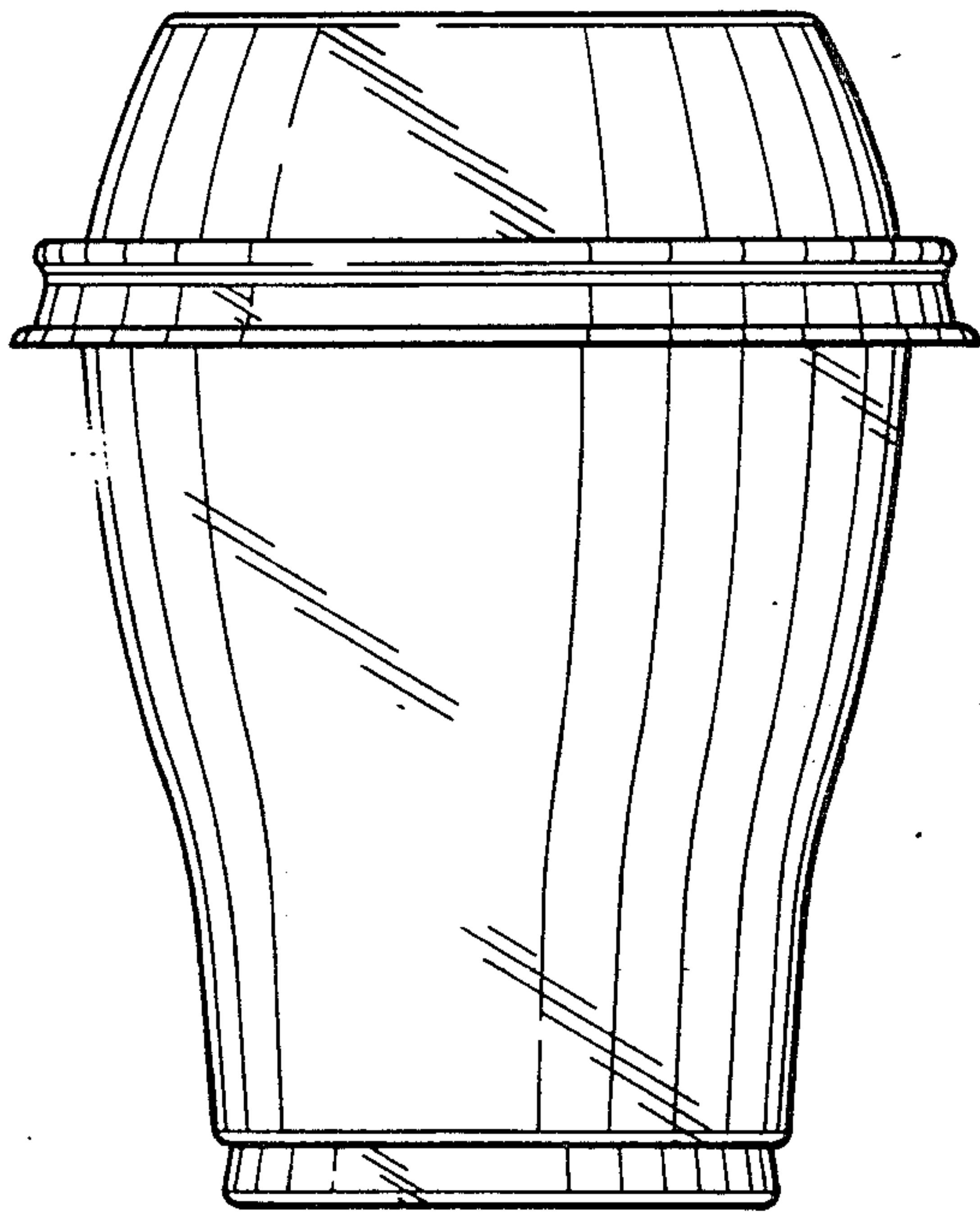


FIG. 3

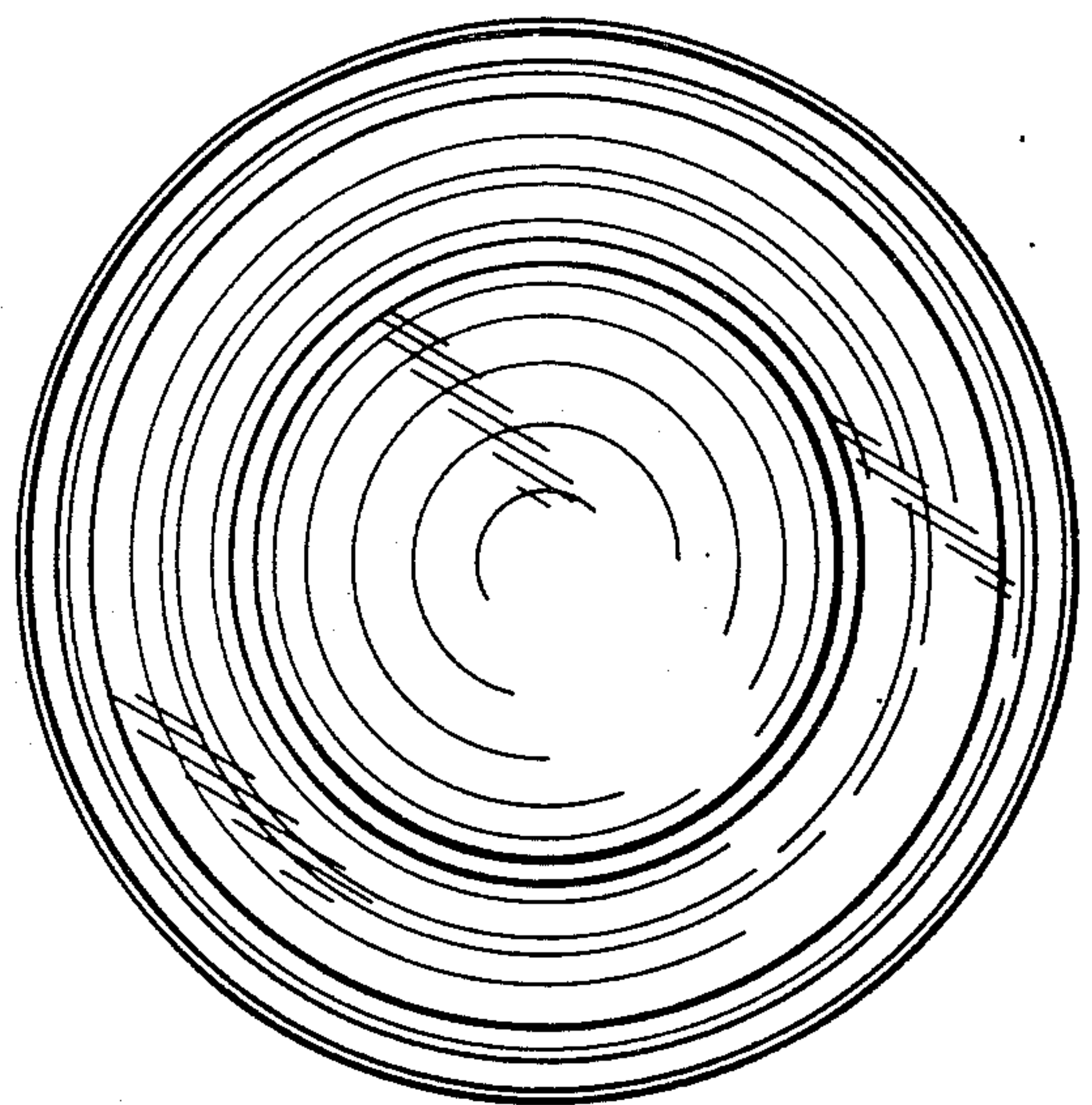


FIG. 4