

[54] **BLIND RIVET-TYPE FASTENER**

[75] **Inventor: Raymond D. Lacey, Essendon, England**

[73] **Assignee: Avdel Limited, Herts, England**

[**] **Term: 14 Years**

[21] **Appl. No.: 494,439**

[22] **Filed: May 13, 1983**

[30] **Foreign Application Priority Data**

Nov. 19, 1982 [GB] United Kingdom 821009791

[52] **U.S. Cl. D8/386**

[58] **Field of Search D8/386, 385, 382; 411/34, 43, 38, 24, 57**

[56] **References Cited**
PUBLICATIONS

Prod. Engineering; 7/9/1962; p. 90; Rivet (far right).

Primary Examiner—B. J. Bullock
Attorney, Agent, or Firm—Oblon, Fisher, Spivak, McClelland & Maier

[57] **CLAIM**

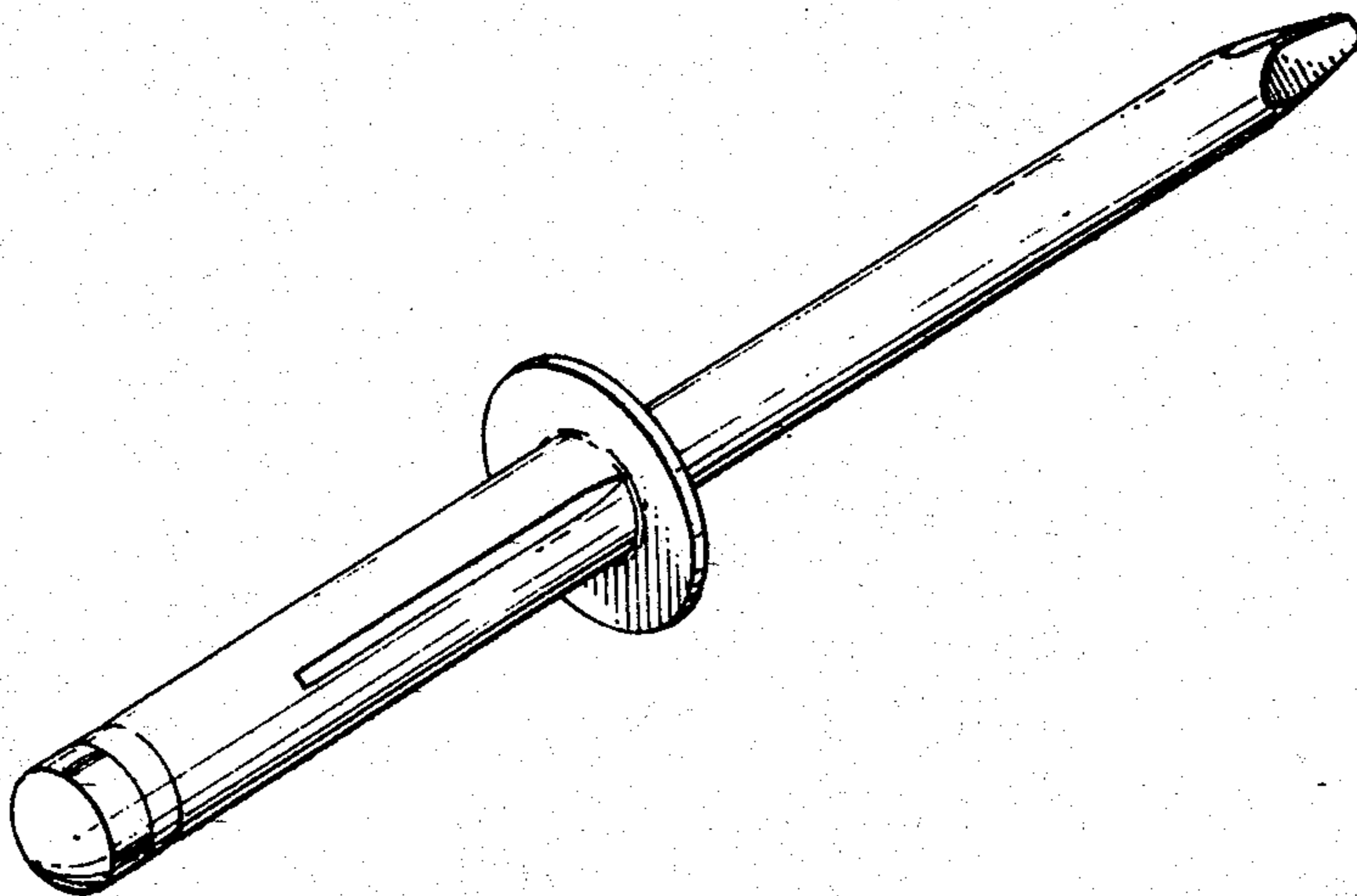
The ornamental design for a blind rivet-type fastener, as shown and described.

DESCRIPTION

FIG. 1 is a perspective view from one side and one end of the fastener showing my new design;

FIG. 2 is a perspective view from another side and another end; and

FIG. 3 is an enlarged sectional view taken along line III—III of FIG. 2.



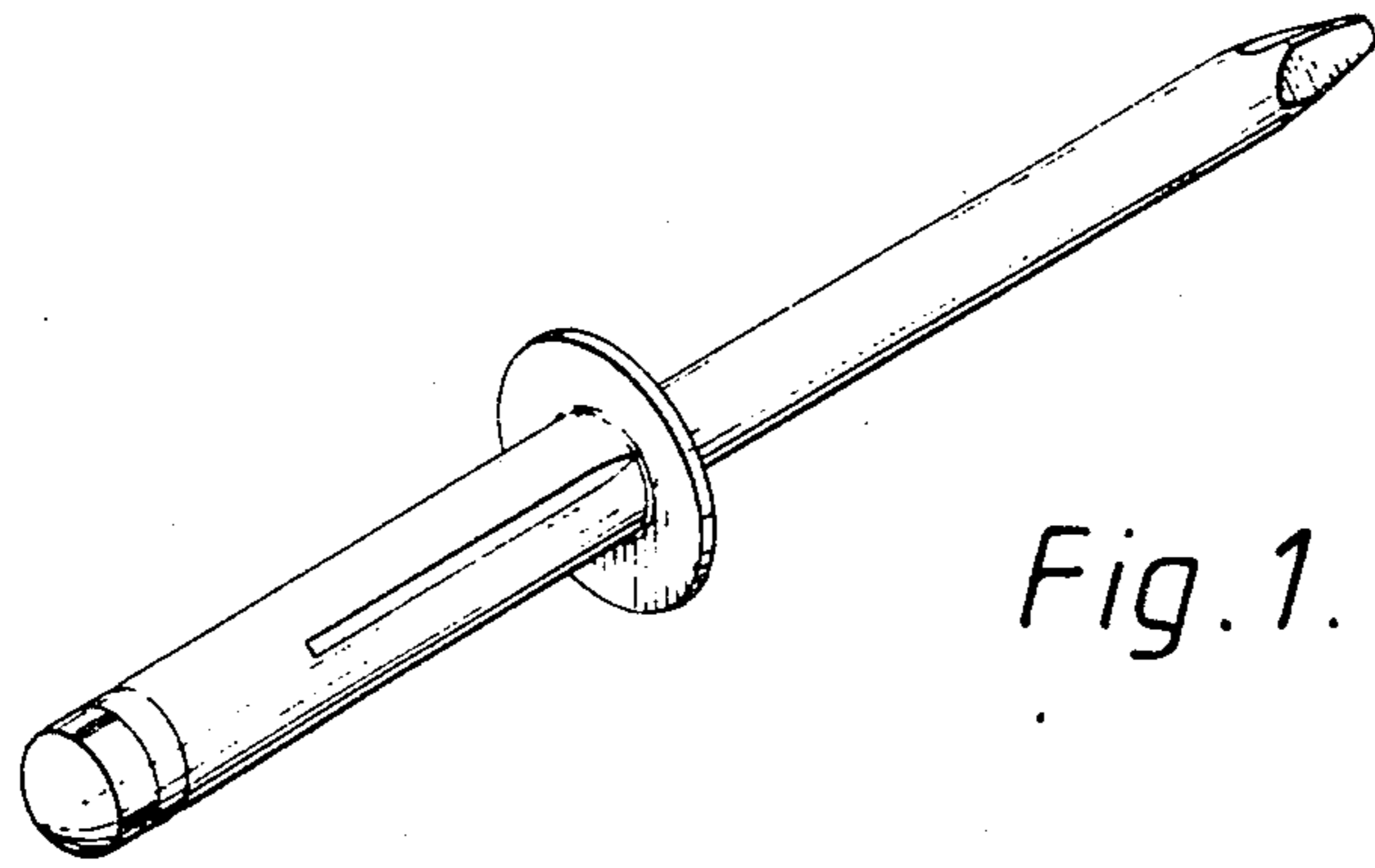


Fig. 1.

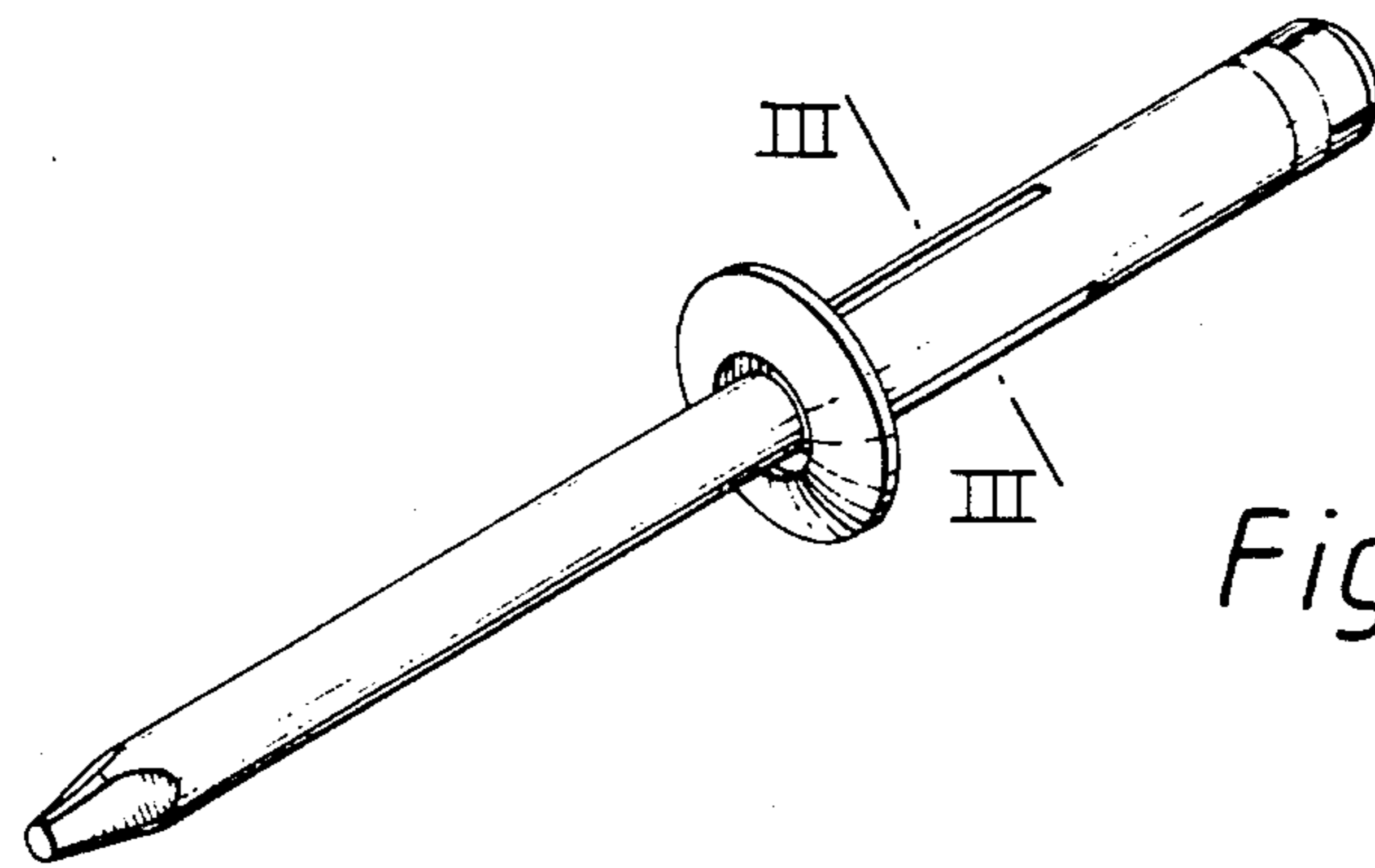


Fig. 2.

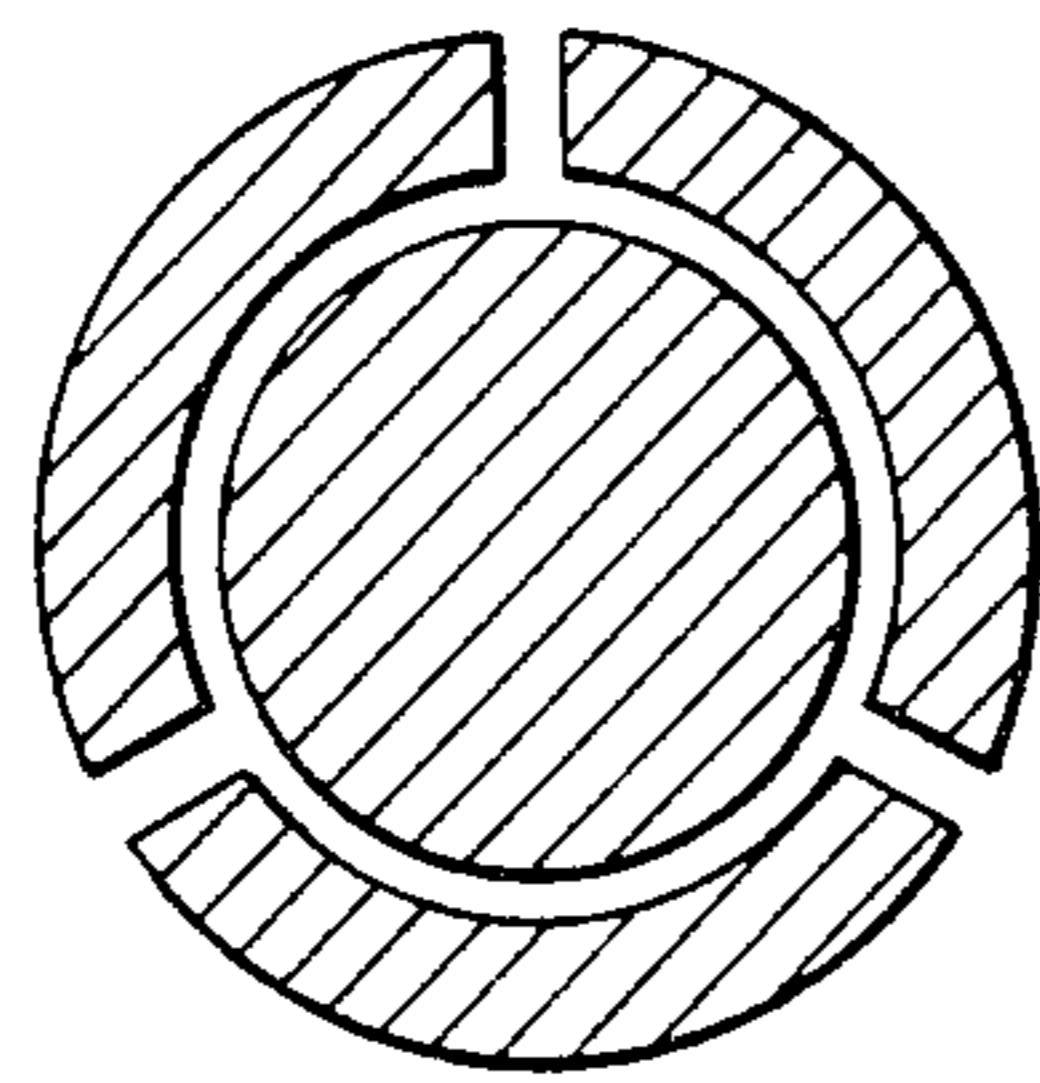


Fig. 3.