

[54] **DROP CLAMP SUSPENSION BRACKET OR SIMILAR ARTICLE**

[76] **Inventor: Isaac Sachs, 1240 Ridgewood Dr., Chomedey, Laval, Quebec, Canada, H7W 1L3**

[\*\*] **Term: 14 Years**

[21] **Appl. No.: 604,583**

[22] **Filed: Apr. 27, 1984**

[52] **U.S. Cl. .... D8/356; D8/354; D8/373; 174/41**

[58] **Field of Search ..... D8/356, 367, 373, 380, D8/372, 355, 349, 354; 248/300; 24/129 A, 129 R; 174/41; 403/399, 395**

[56] **References Cited**

**U.S. PATENT DOCUMENTS**

D. 50,177	1/1917	Baxter .....	D8/372
D. 140,381	2/1945	Anderson .....	D8/356
D. 196,321	9/1963	Famely .....	D8/356
D. 197,065	12/1963	Nilsson .....	D8/356
D. 265,171	6/1982	Zukaitis .....	D8/356
D. 266,223	9/1982	Swartz .....	D8/373
D. 275,262	8/1984	Kimball .....	D8/356
479,509	7/1892	Heaphy .....	24/129 A

656,431	8/1900	Stewart .....	24/129 A
817,557	4/1906	Hatherly et al. ....	24/129 A
947,111	1/1910	Lorentz .....	24/129 A
958,168	5/1910	Petersen .....	24/129 A
1,600,816	9/1926	Horbert .....	248/300
2,291,492	7/1942	Naysmith .....	174/41
2,329,389	9/1943	Bullum .....	24/129 R
3,471,110	10/1969	Mack .....	174/41
4,222,157	9/1980	Forman .....	24/129 A

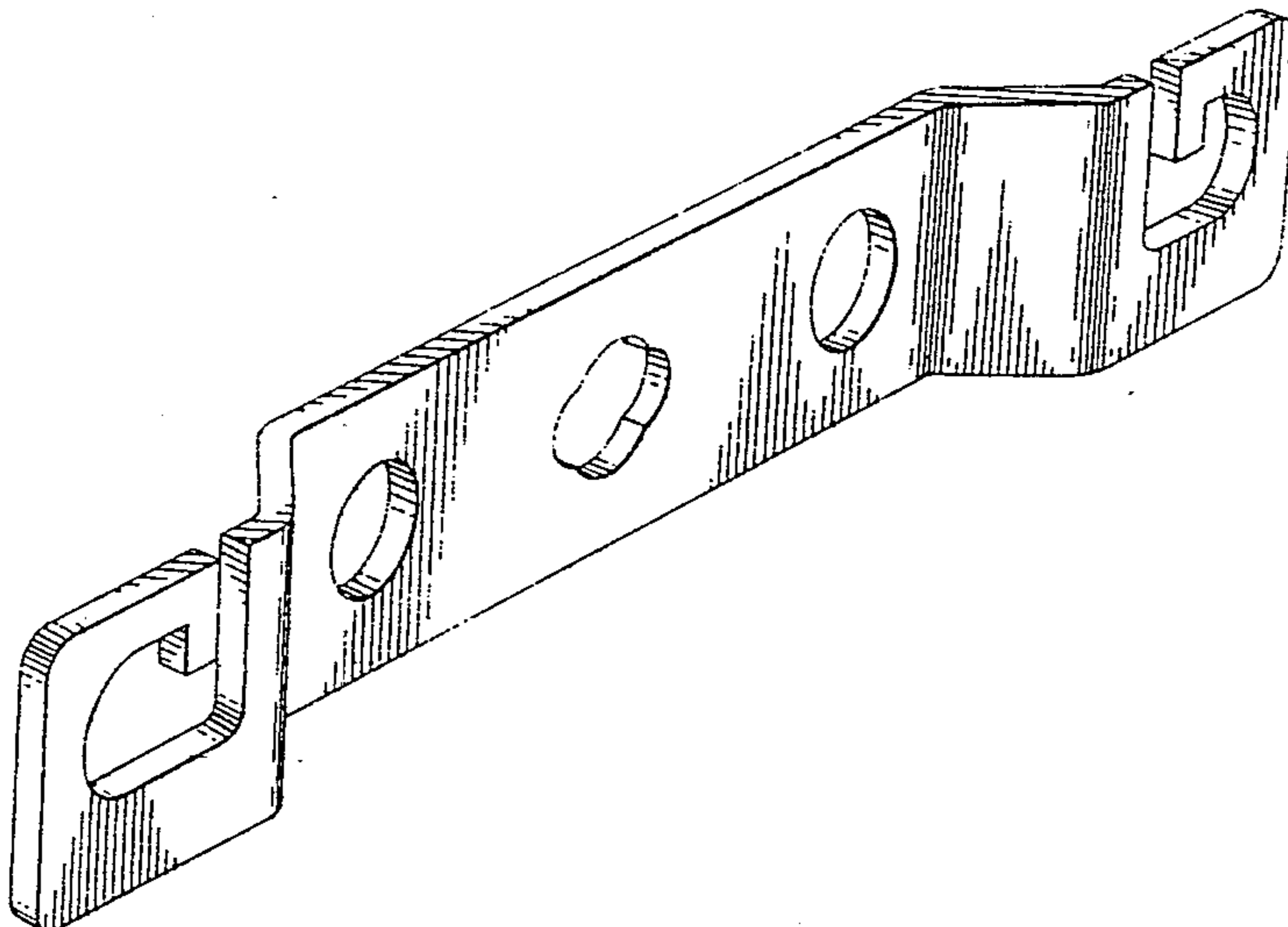
*Primary Examiner*—Wallace R. Burke  
*Assistant Examiner*—Horace B. Fay  
*Attorney, Agent, or Firm*—Charles E. Brown; Charles A. Brown

[57] **CLAIM**

The ornamental design for a drop clamp suspension bracket or similar article, as shown and described.

**DESCRIPTION**

FIG. 1 is a partial left end, top and front perspective view of a drop clamp suspension bracket or similar article showing my new design;  
 FIG. 2 is a top plan view thereof;  
 FIG. 3 is a bottom plan view thereof;  
 FIG. 4 is a rear elevational view thereof;  
 FIG. 5 is a front elevational view thereof;  
 FIG. 6 is a right end elevational view.



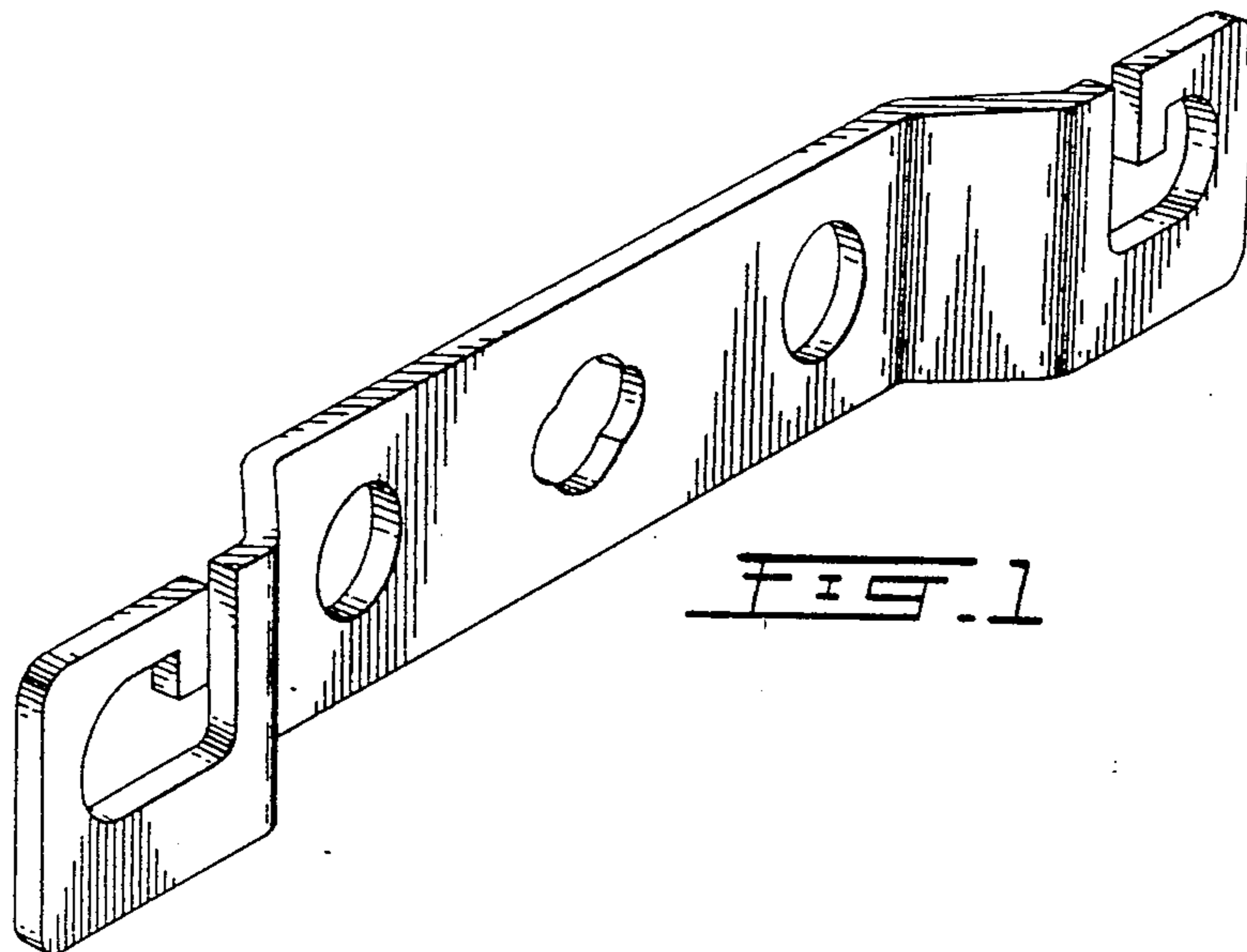


FIG. 1

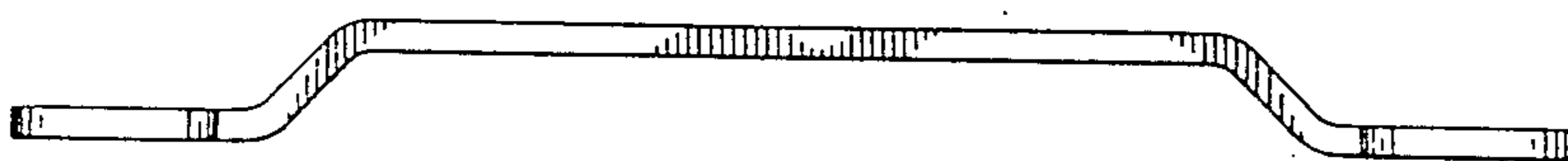


FIG. 2

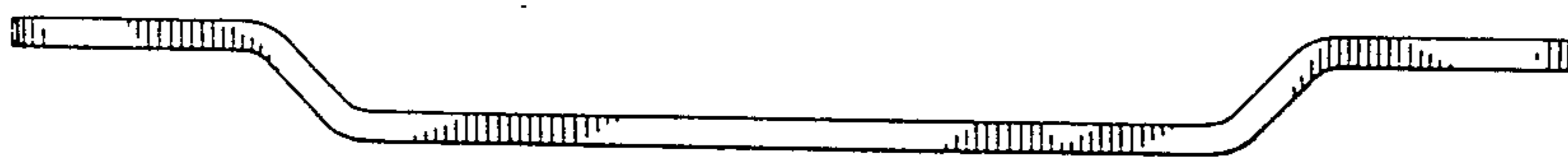


FIG. 3

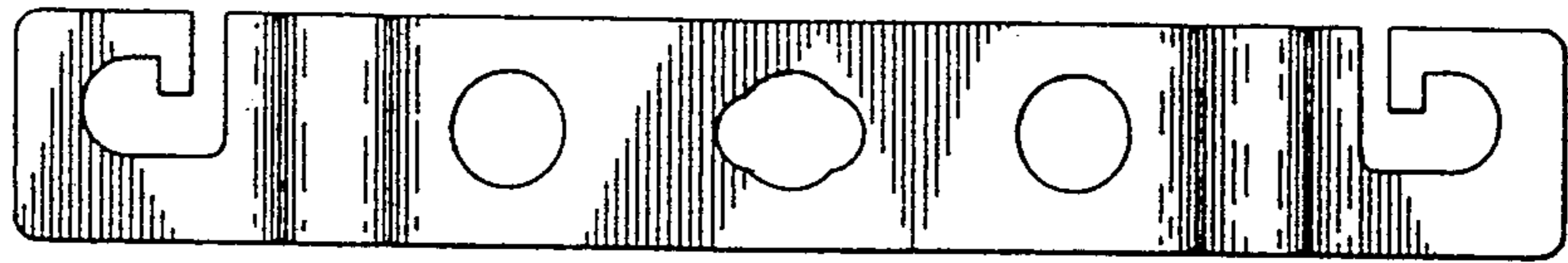


FIG. 4

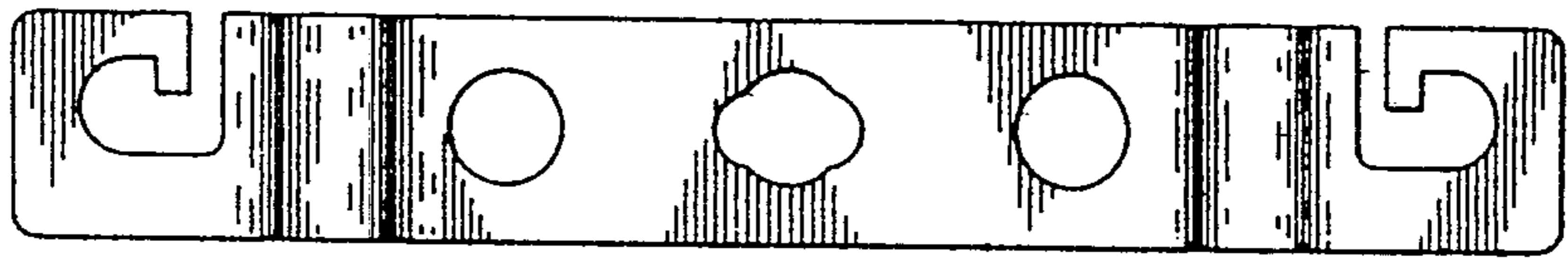


FIG. 5



FIG. 6