

[54] PRESSURE COOKER

[75] Inventors: Jyoji Kitakaze; Yoshio Oka, both of Tottori, Japan

[73] Assignee: Sanyo Electric Co., Ltd., Japan

[**] Term: 14 Years

[21] Appl. No.: 545,950

[22] Filed: Oct. 27, 1983

[30] Foreign Application Priority Data

Apr. 30, 1983 [JP] Japan 53-18509

[52] U.S. Cl. D7/358

[58] Field of Search D7/358, 354, 355, 328, D7/323, 360, 391, 387, 393; 219/438-442, 432, 472-475, 341; 220/305, 316, 318

[56] References Cited

U.S. PATENT DOCUMENTS

- D. 92,420 6/1934 Nelson D7/358
- D. 176,002 11/1955 Boldt D7/360
- D. 253,388 11/1979 Boldt et al. D7/358
- D. 263,270 3/1982 Pauty D7/358

- 2,749,427 6/1956 Malz 219/441
- 2,785,277 3/1957 Jepson 219/438 X
- 2,856,507 10/1958 Naxon 219/441
- 4,024,982 5/1977 Schultz 220/316 X
- 4,135,640 1/1979 MacQuilkin et al. 220/316

OTHER PUBLICATIONS

Supplement to Home Furnishings Daily 9-11-78, Sec. I front page, Presto Chickn Fryer.

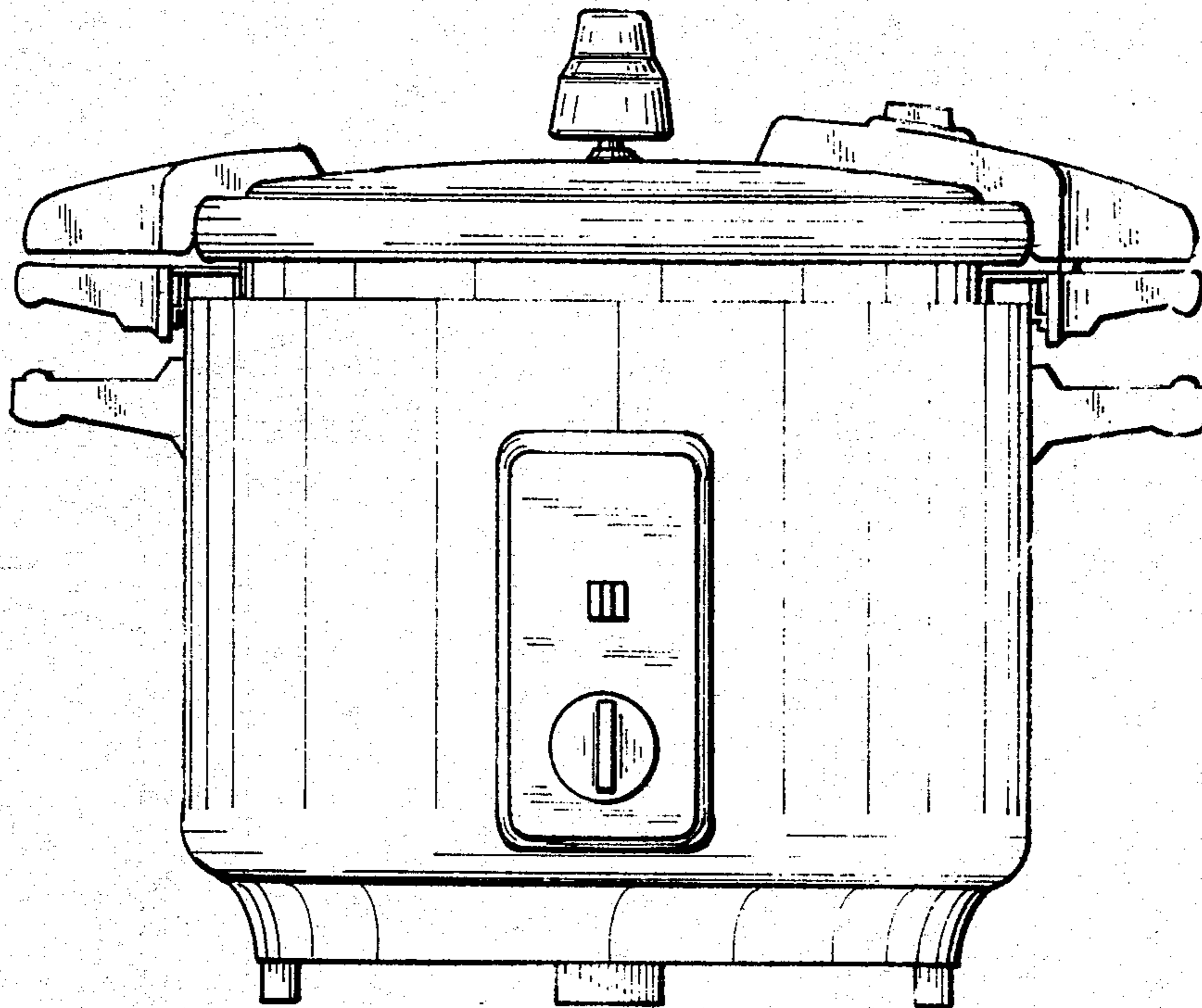
Primary Examiner—Bernard Ansher
Assistant Examiner—Linda Titolo
Attorney, Agent, or Firm—Darby & Darby

[57] CLAIM

The ornamental design for a pressure cooker, as shown.

DESCRIPTION

FIG. 1 is a front elevational view of a pressure cooker, showing our new design;
FIG. 2 is a rear elevational view thereof;
FIG. 3 is a left side elevational thereof;
FIG. 4 is a right side elevational view thereof;
FIG. 5 is a top plan view thereof; and
FIG. 6 is a bottom plan view thereof.



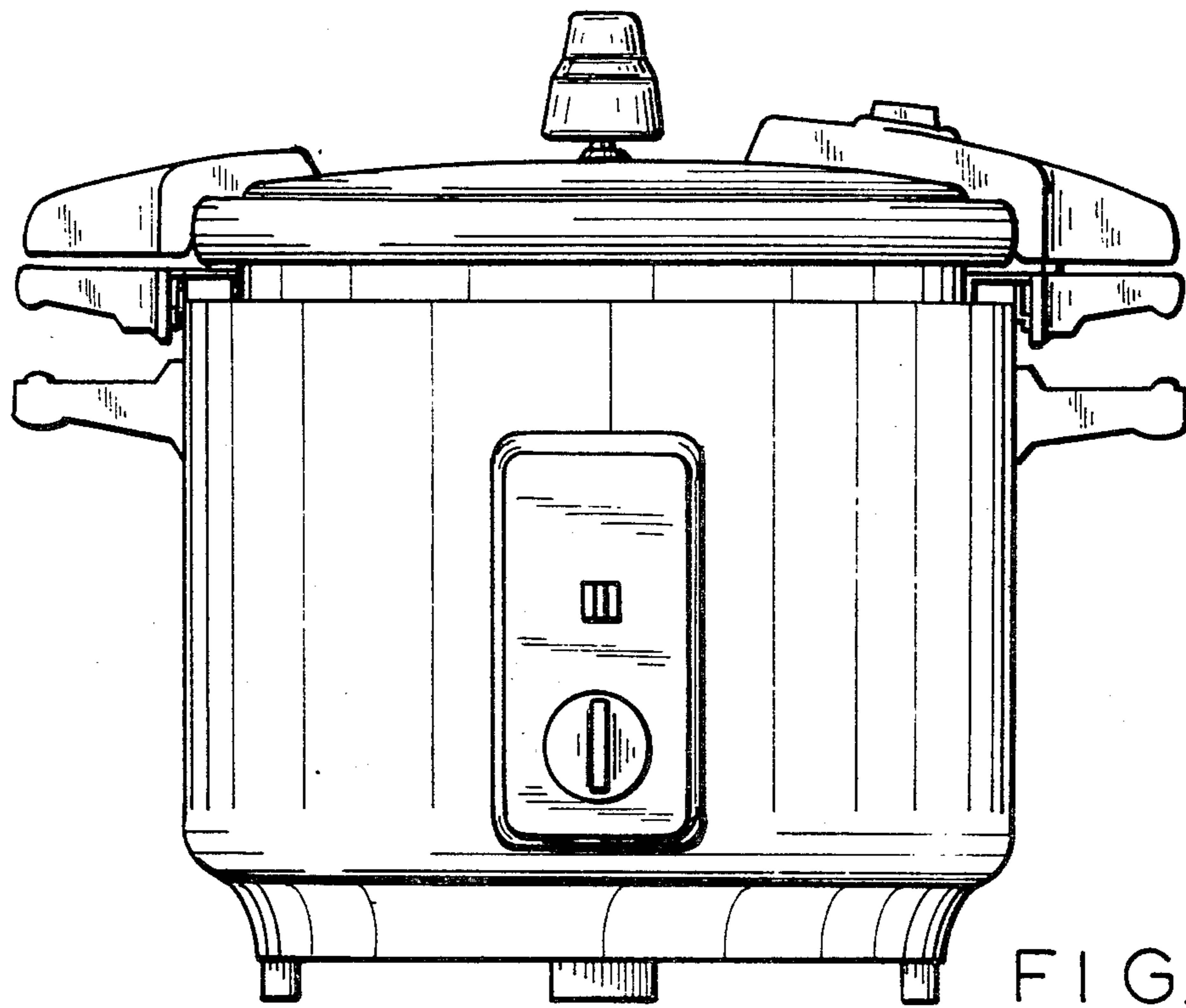


FIG. 1

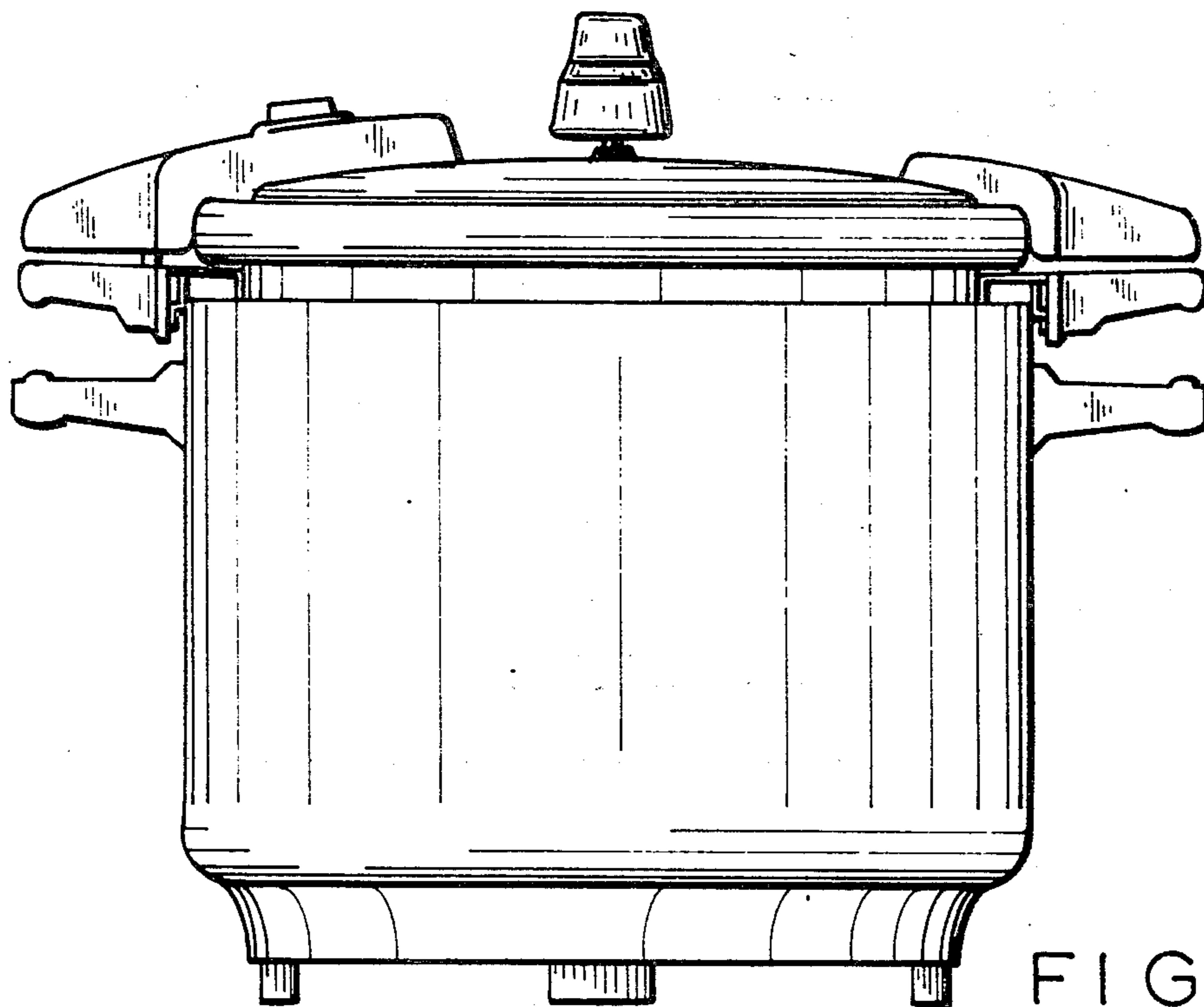


FIG. 2

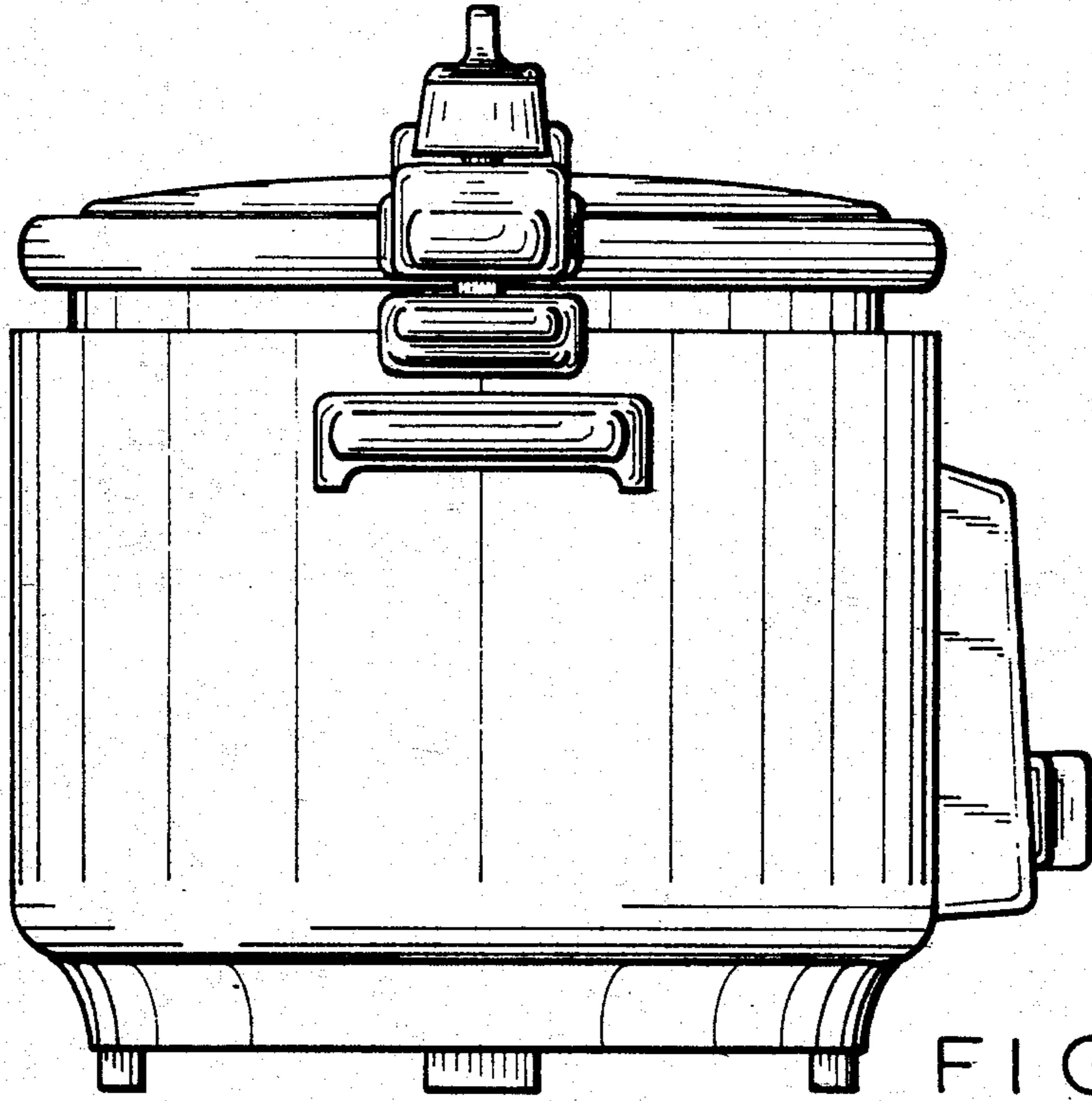


FIG. 3

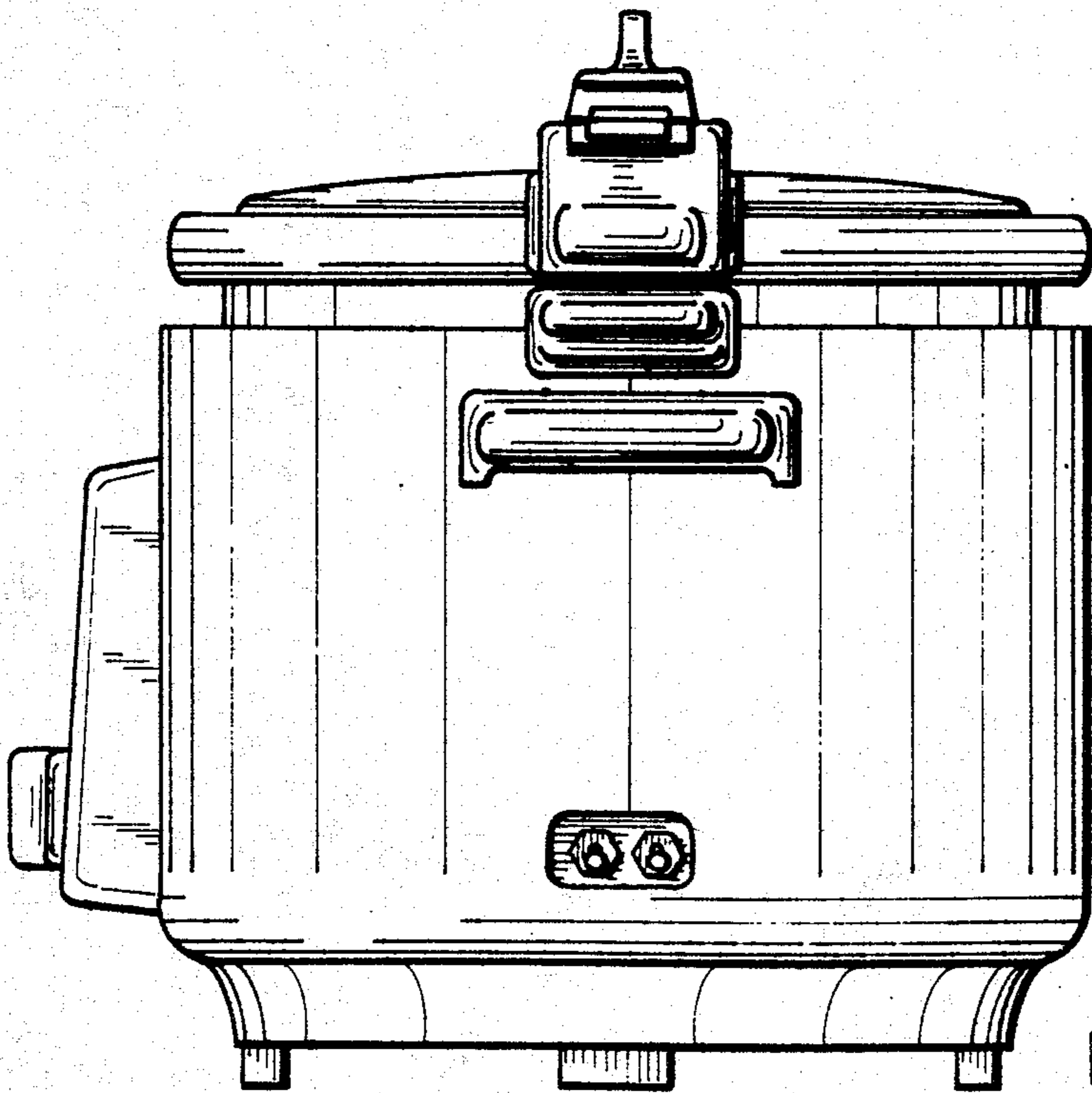


FIG. 4

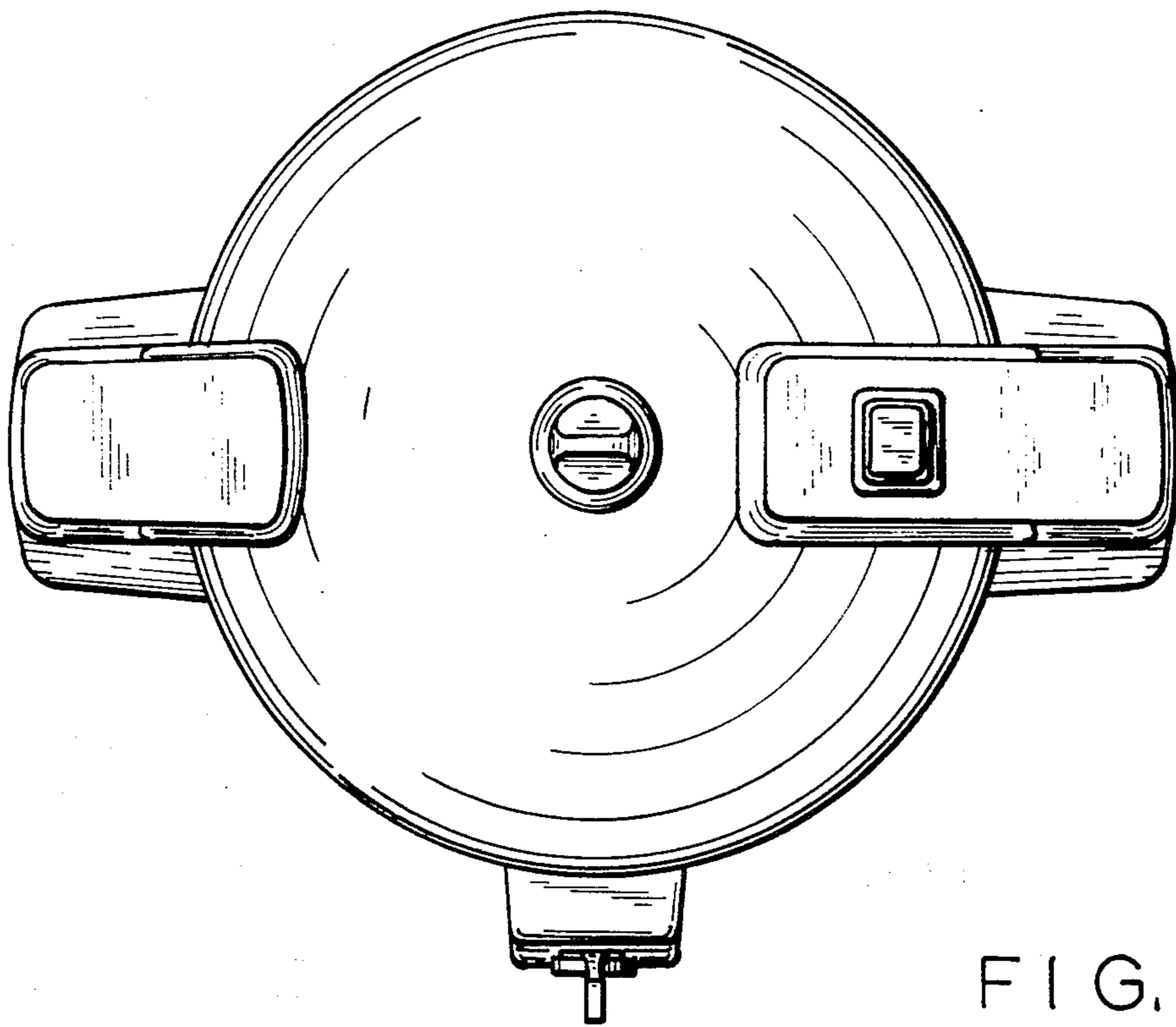


FIG. 5

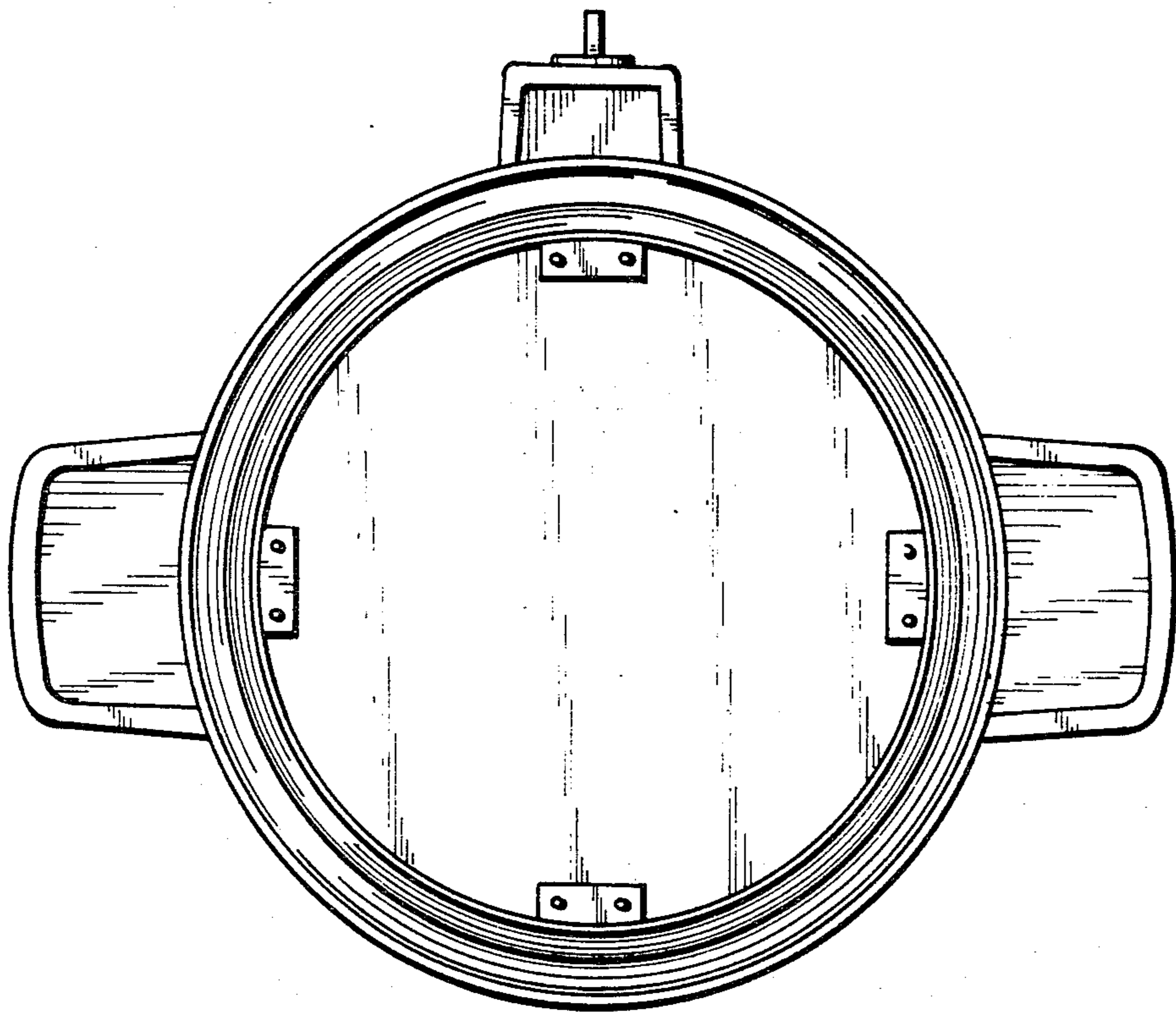


FIG. 6