

[54] **ROLLING PIN OR THE LIKE**

[75] **Inventor: Janice L. Schmidt, Providence, R.I.**

[73] **Assignee: Dart Industries, Northbrook, Ill.**

[\*\*] **Term: 14 Years**

[21] **Appl. No.: 501,349**

[22] **Filed: Jun. 6, 1983**

[52] **U.S. Cl. .... D7/99**

[58] **Field of Search ..... D7/99, 76; 29/110.5; 7/111**

[56] **References Cited**

**U.S. PATENT DOCUMENTS**

D. 180,050	4/1957	Tupper	.....	D7/99
857,308	6/1907	Sanford	.	
1,254,298	1/1918	Anton	.....	7/111
1,267,327	5/1918	McCarty	.....	206/373
1,385,916	7/1921	Harris	.....	29/110.5
2,673,532	3/1954	Stair	.....	107/50

2,721,524	10/1955	Osborn	.....	107/50
3,653,338	4/1972	Sauey	.....	29/110

**OTHER PUBLICATIONS**

“Thermo-Teigroller” made by VITRI Max Richter KG, Germany (photocopy of box provided), available prior to May 14, 1982.

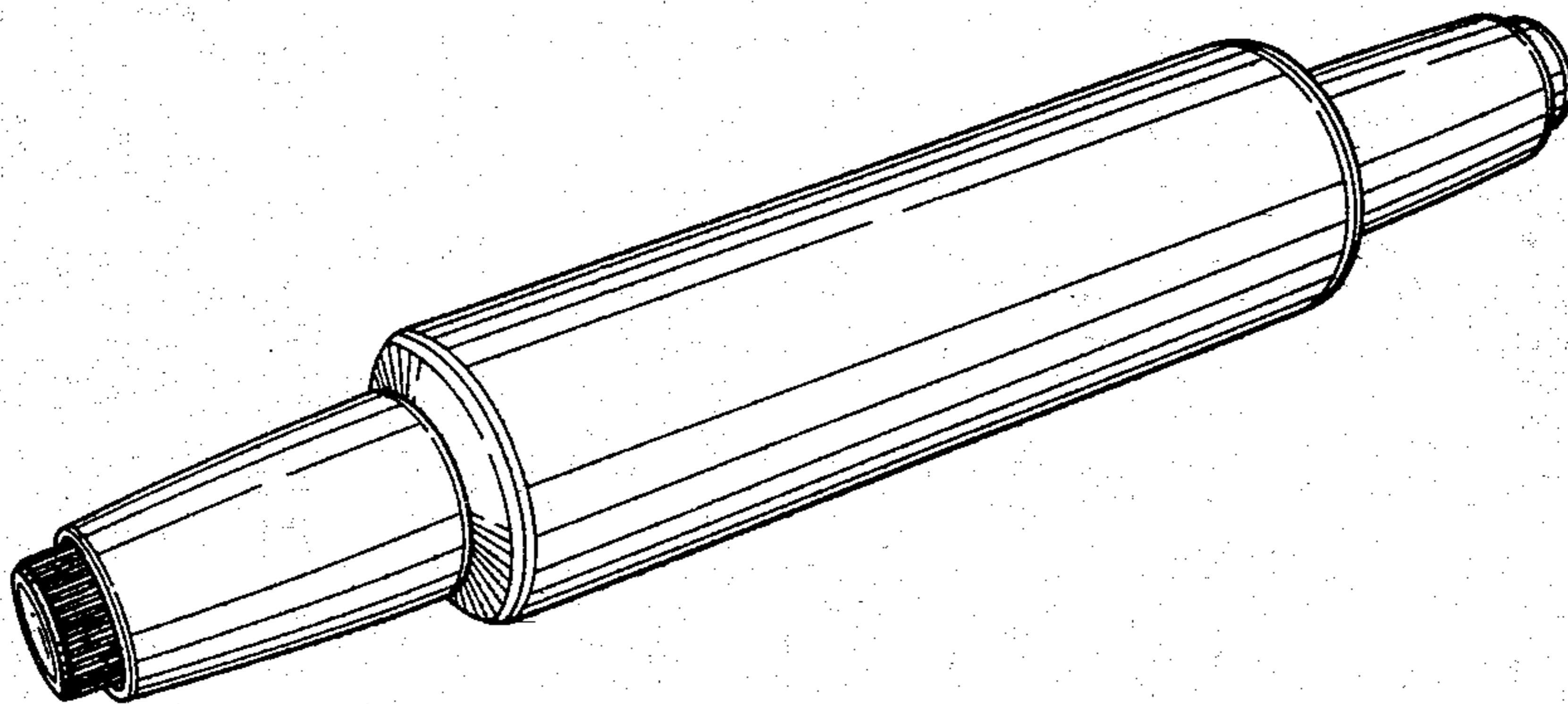
*Primary Examiner*—Bernard Ansher  
*Assistant Examiner*—Terry Pfeffer  
*Attorney, Agent, or Firm*—John A. Doninger

[57] **CLAIM**

The ornamental design for a rolling pin or the like, substantially as shown.

**DESCRIPTION**

**FIG. 1** is a perspective view of the rolling pin or the like showing my new design;  
**FIG. 2** is a side elevation thereof;  
**FIG. 3** is a front elevation thereof; and  
**FIG. 4** is a rear elevation thereof.



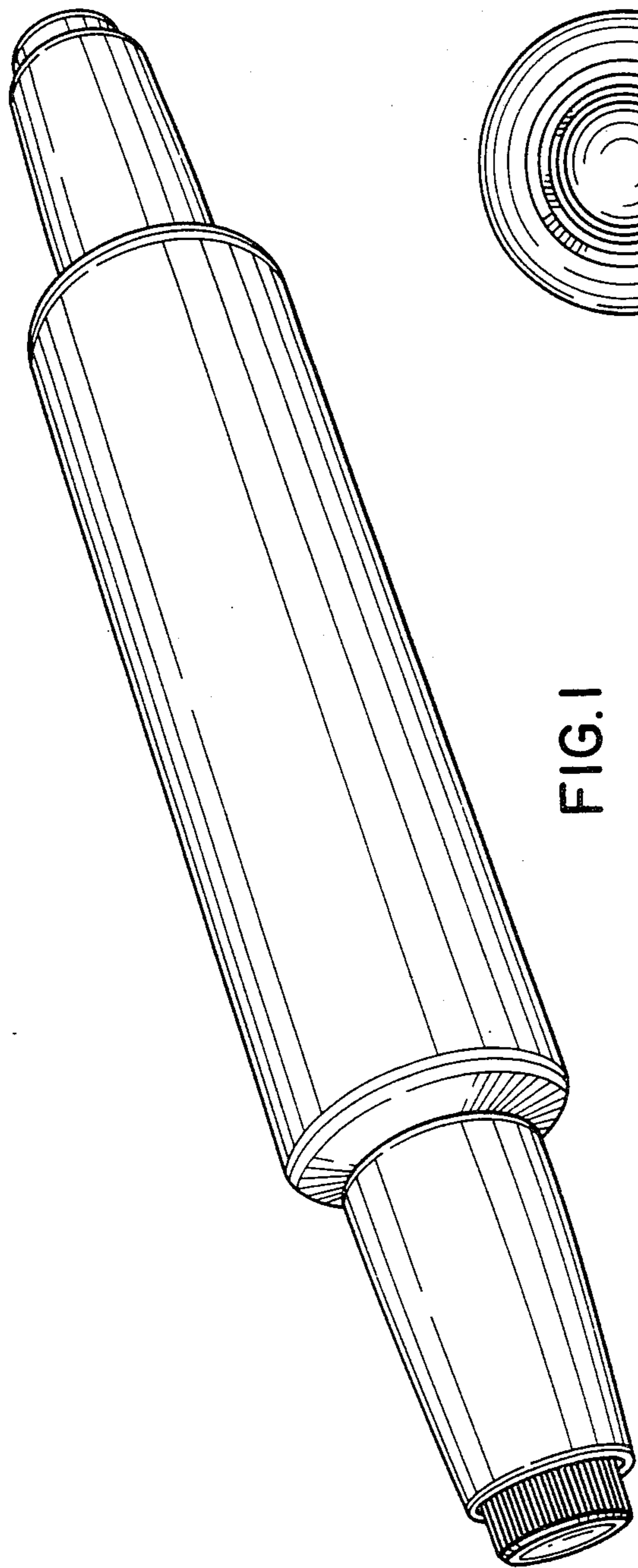


FIG. 1

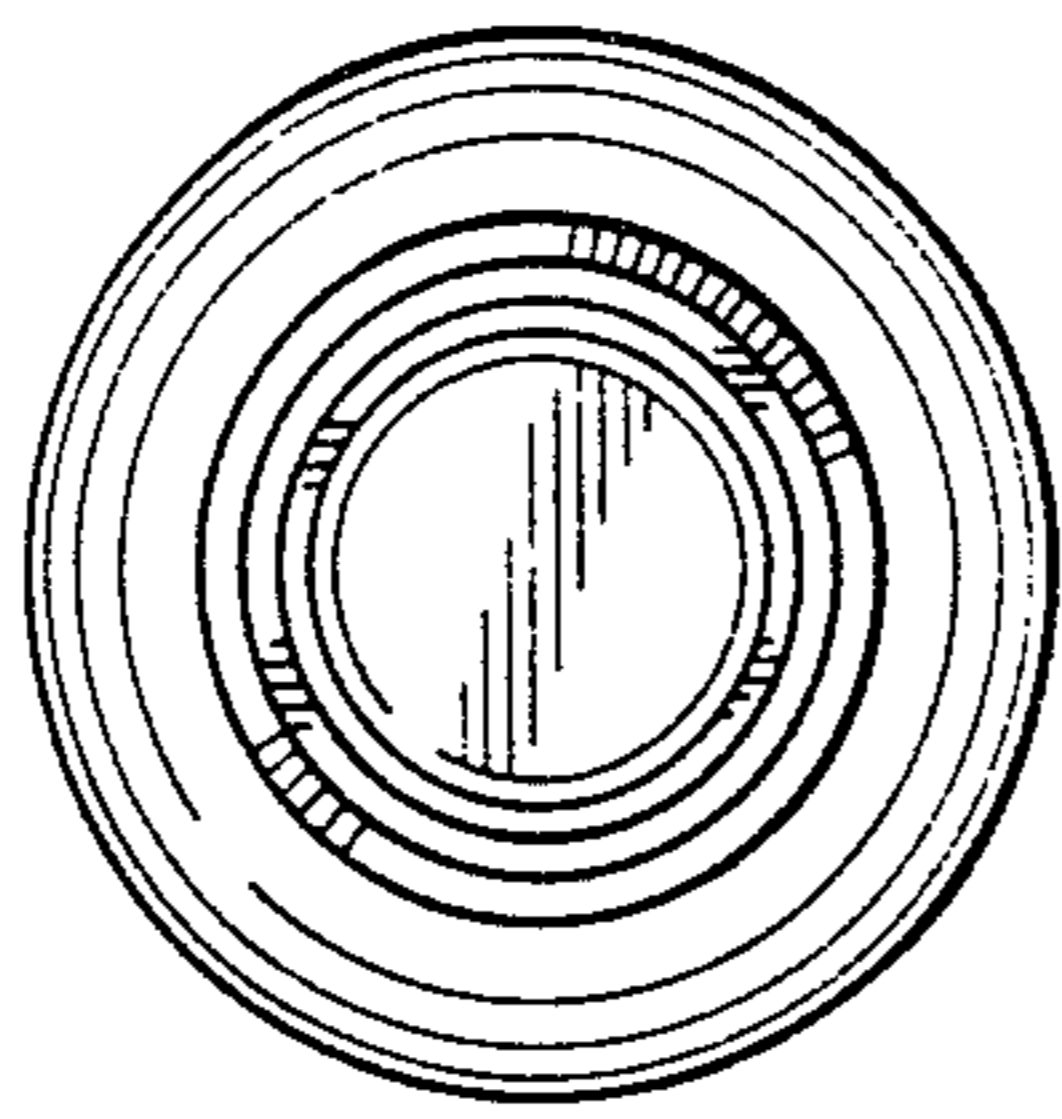


FIG. 4

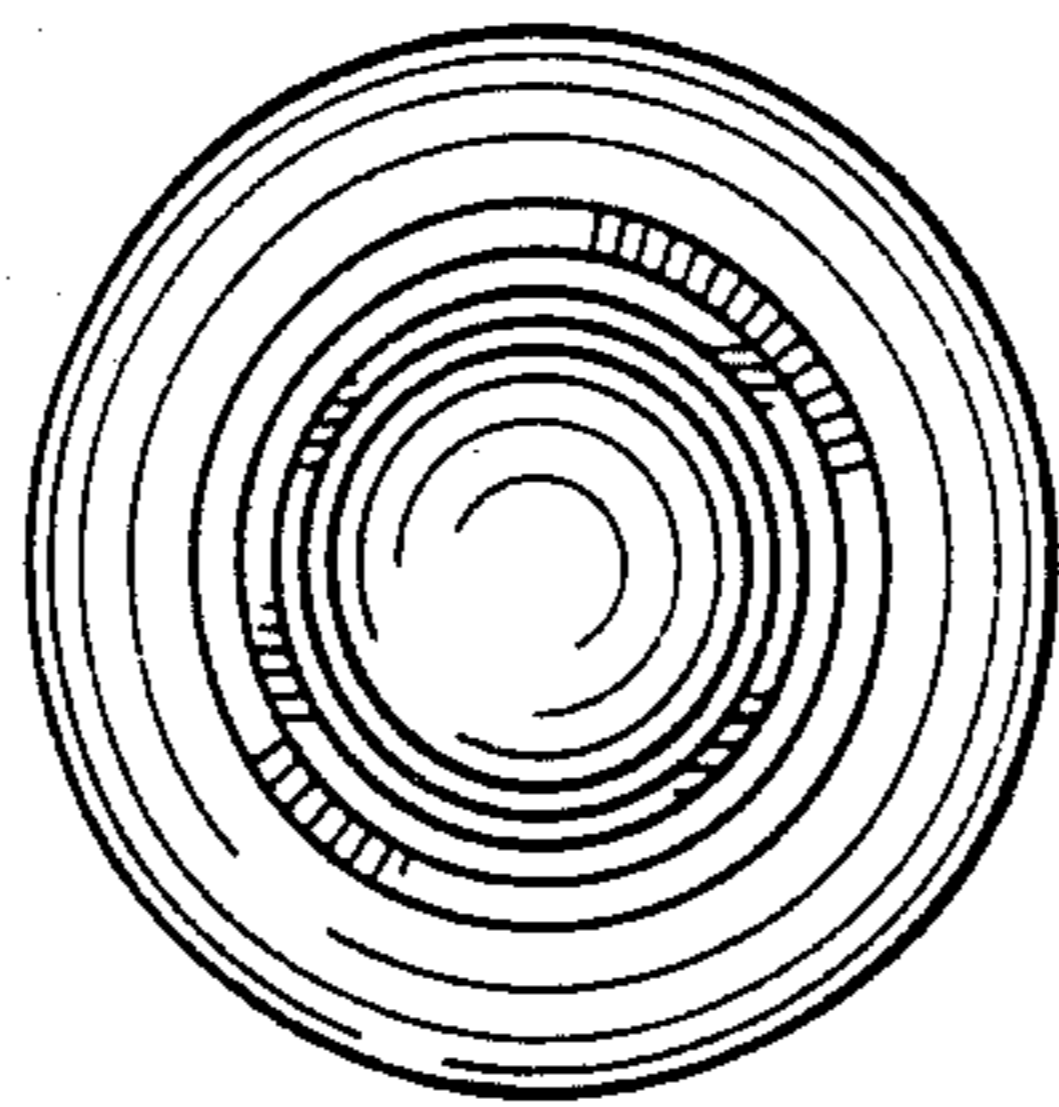


FIG. 3

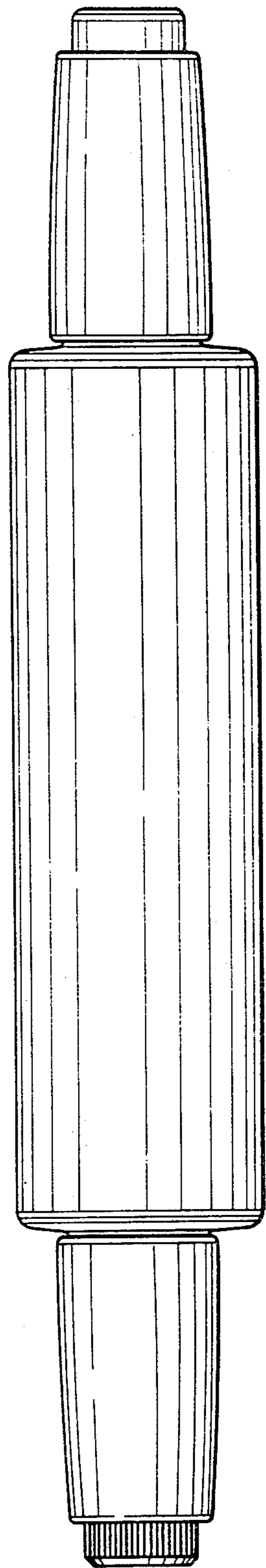


FIG. 2