

[54] MUG OR THE LIKE

[75] Inventors: Mark P. Zieff, Lexington, Mass.;
Martin J. Wolff, North Providence,
R.I.

[73] Assignee: Dart Industries Inc., Northbrook, Ill.

[**] Term: 14 Years

[21] Appl. No.: 537,875

[22] Filed: Sep. 29, 1983

[52] U.S. Cl. D7/9; D7/14

[58] Field of Search D7/9, 11, 10, 6, 14;
D9/405, 410, 428, 429, 349

[56] References Cited

U.S. PATENT DOCUMENTS

D. 4,707	3/1871	Ladner	D7/9
D. 19,162	6/1889	King	.	
D. 46,619	11/1914	Fisher	.	
D. 71,042	9/1926	Atterholt	.	
D. 87,606	8/1932	Thomas	D7/9
D. 109,675	5/1938	Saunders	.	
D. 191,710	11/1961	Wolf et al.	D36/8
D. 194,621	2/1963	Bennett	D44/10
D. 197,407	1/1964	Laughlin	D7/9
D. 199,461	10/1964	Dailey	D58/8
D. 224,797	9/1972	Thrush	D36/8
D. 227,135	6/1973	Davis et al.	D7/9
D. 244,738	6/1977	Juhlin	D7/3
D. 258,483	3/1981	Weinstein	D7/6
D. 264,535	5/1982	Kiyokane	D7/6
2,462,497	2/1949	Heyman	99/89
3,089,605	5/1963	Buonauro	215/99.5
3,456,864	7/1969	Trombley et al.	D7/9 X
3,934,725	1/1976	Edwards	206/519

4,040,549 8/1977 Sadler 224/29
4,273,245 6/1981 Machalek 215/13 R

OTHER PUBLICATIONS

Industrial Design, Feb. 1965, p. 72, bottom panel, #12,
Mugs by C. A. Stowell-Corning Glass Staff.
Housewares Review, Oct. 1966, p. 71, Lipper & Mann
Inc., Mugs-right panel, center col., 3rd mug down.
Chris Craft Gifts and Gear Apr. 5, 1976, p. 44, "Max-
mugs" bottom r. panel, by Massimo Vignelli.

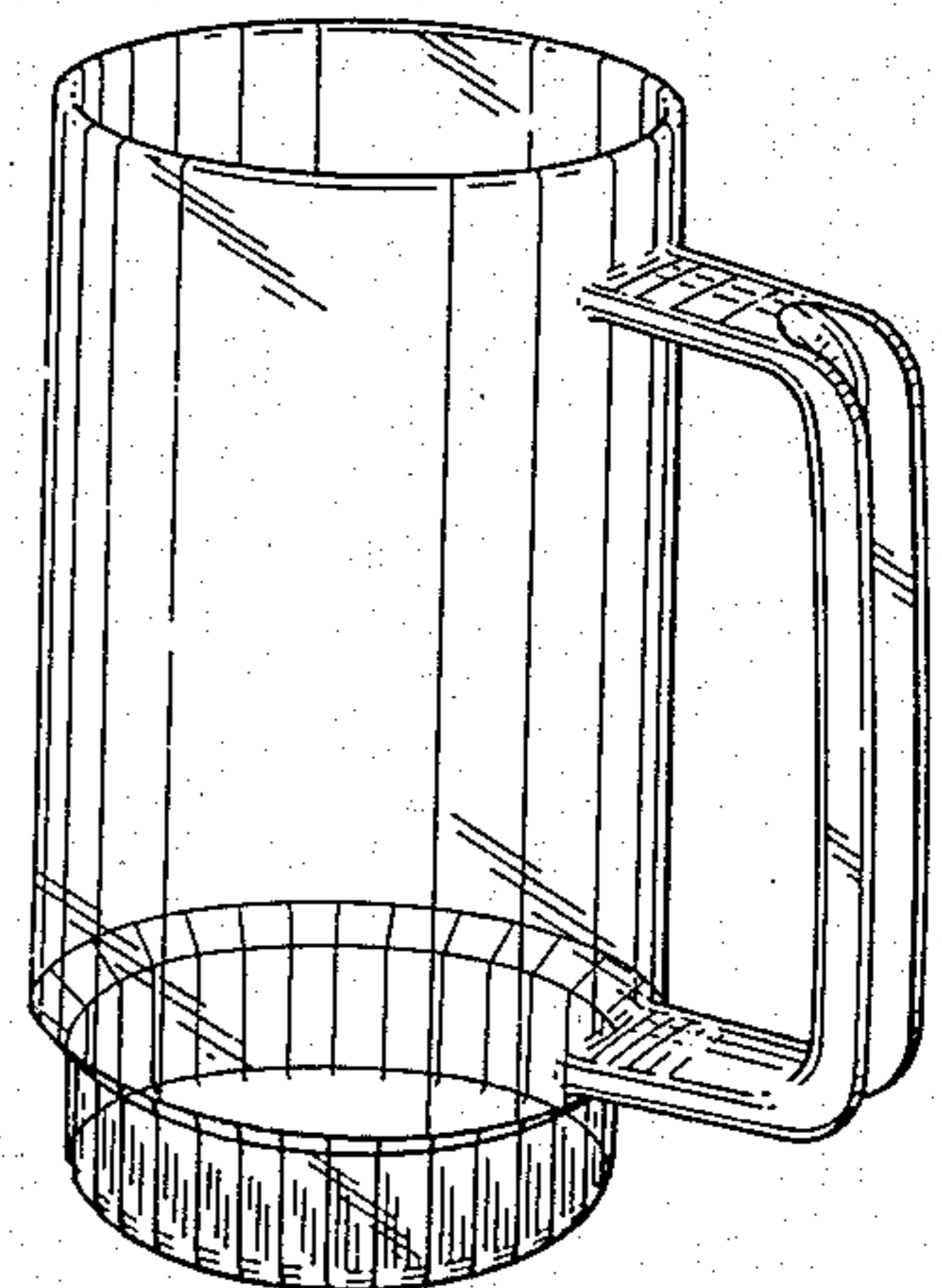
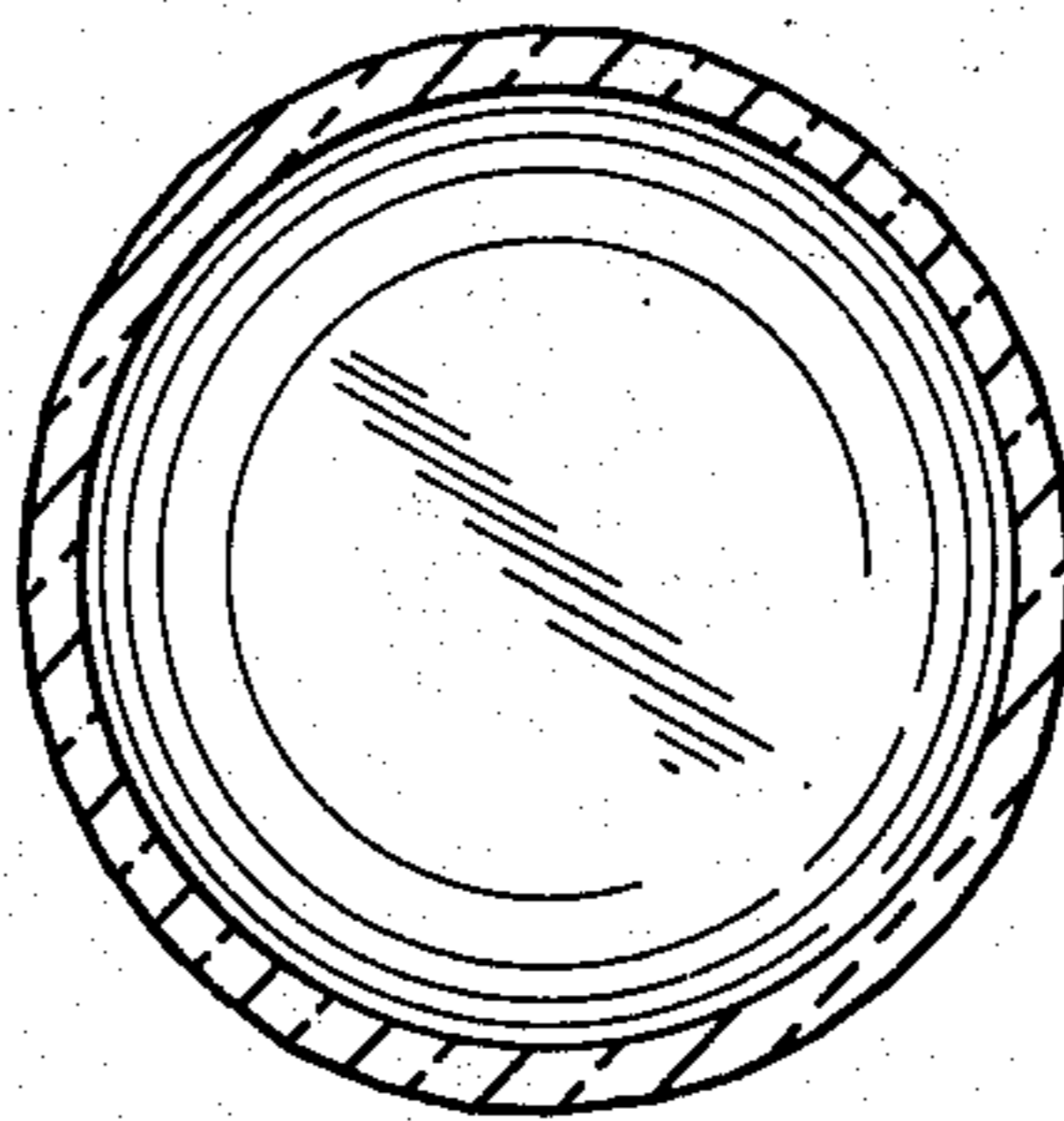
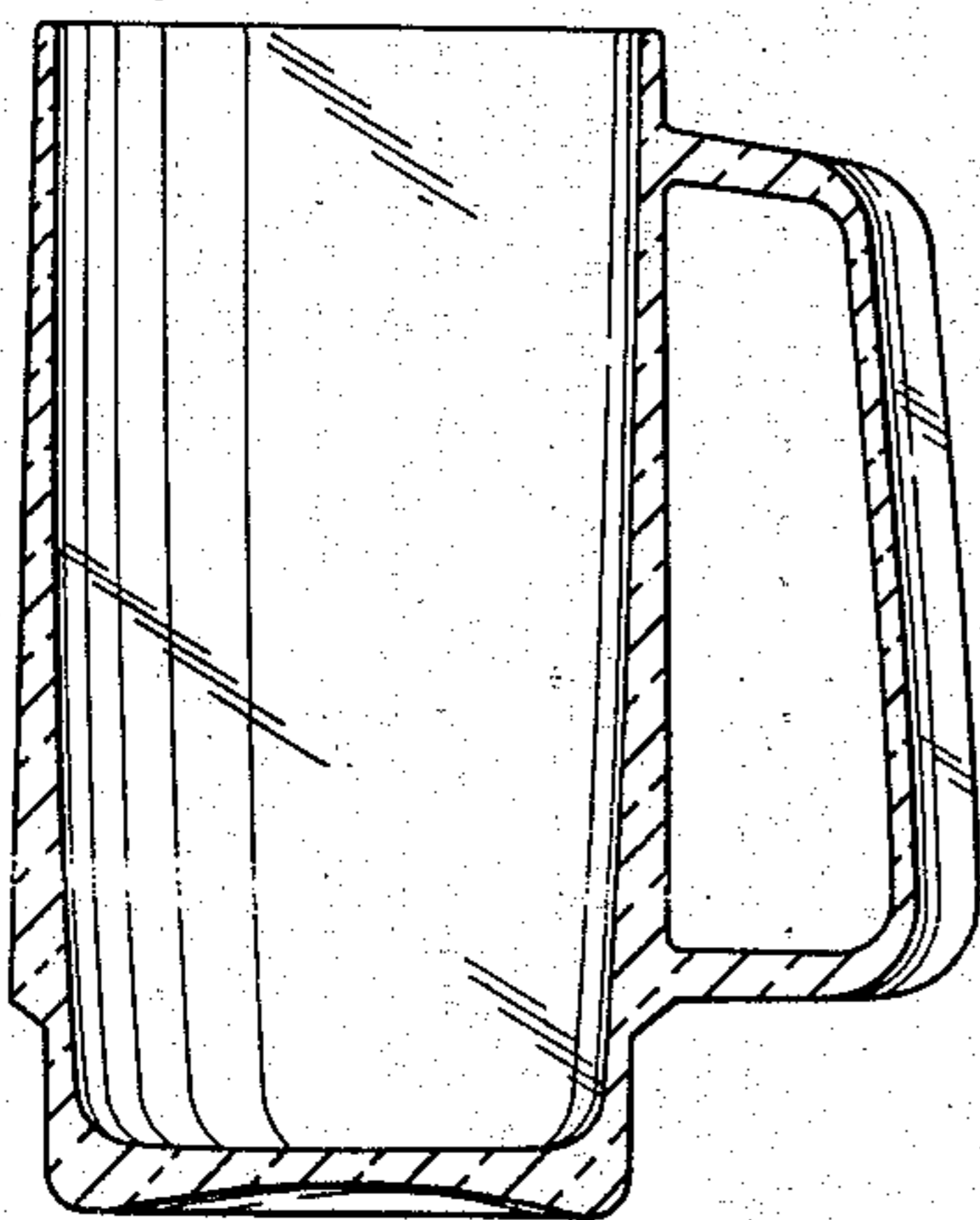
Primary Examiner—Winifred E. Herrmann
Attorney, Agent, or Firm—John A. Doninger

[57] CLAIM

The ornamental design for a mug or the like, substan-
tially as shown and described.

DESCRIPTION

FIG. 1 is a top perspective view of the mug or the like
showing our new design;
FIG. 2 is a top plan view thereof with the facets having
been left out for greater clarity of illustration;
FIG. 3 is a side elevation thereof, the side opposite is a
mirror image;
FIG. 4 is a rear elevation thereof;
FIG. 5 is a front elevation thereof, with the facets hav-
ing been left out for greater clarity of illustration;
FIG. 6 is a bottom plan view thereof;
FIG. 7 is a cross-sectional view thereof taken along line
7—7 of FIG. 2, with the facets having been left out for
greater clarity of illustration;
FIG. 8 is a cross sectional view thereof taken along line
8—8 of FIG. 3, with the facets having been left out for
greater clarity of illustration.



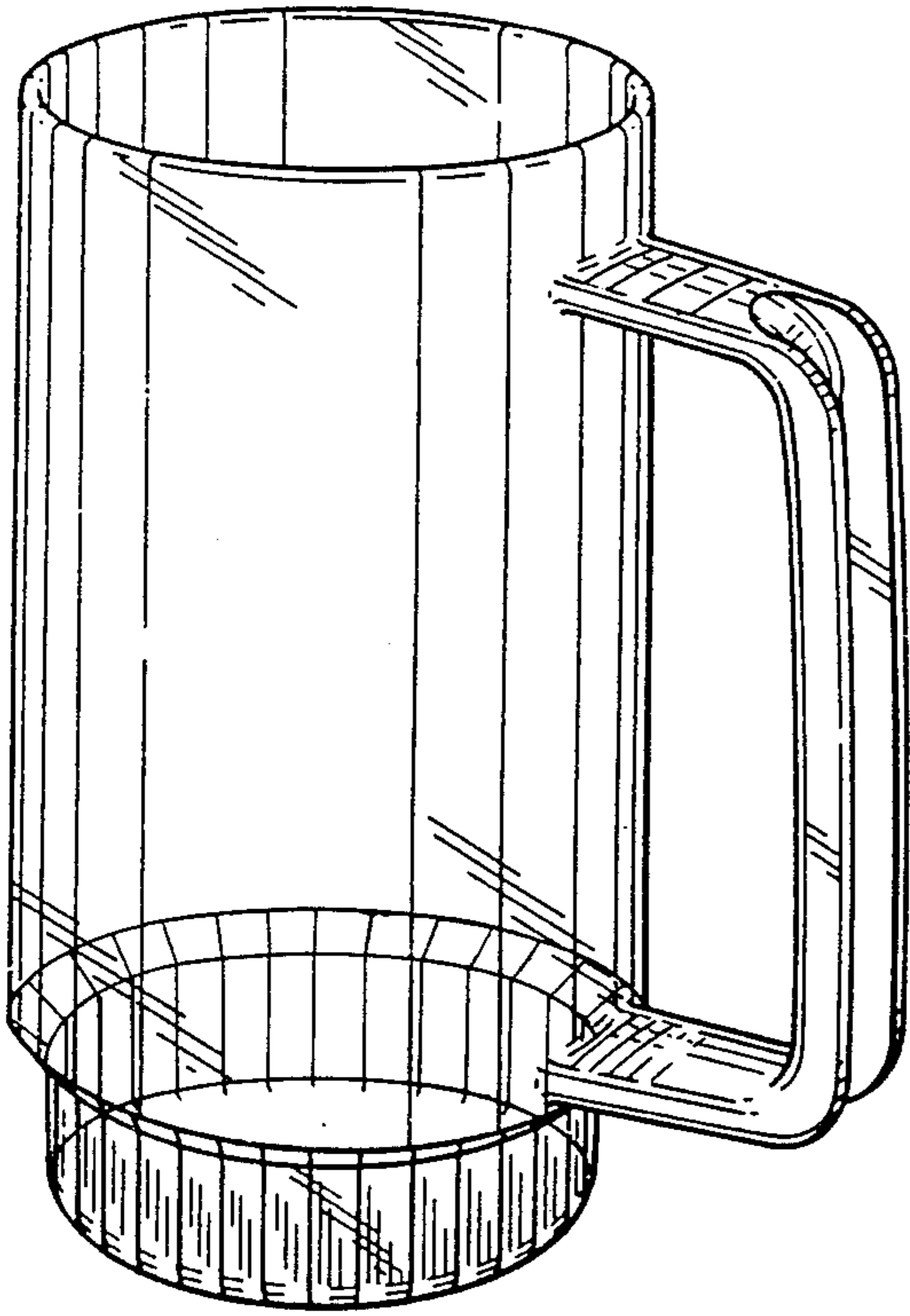


FIG. 1

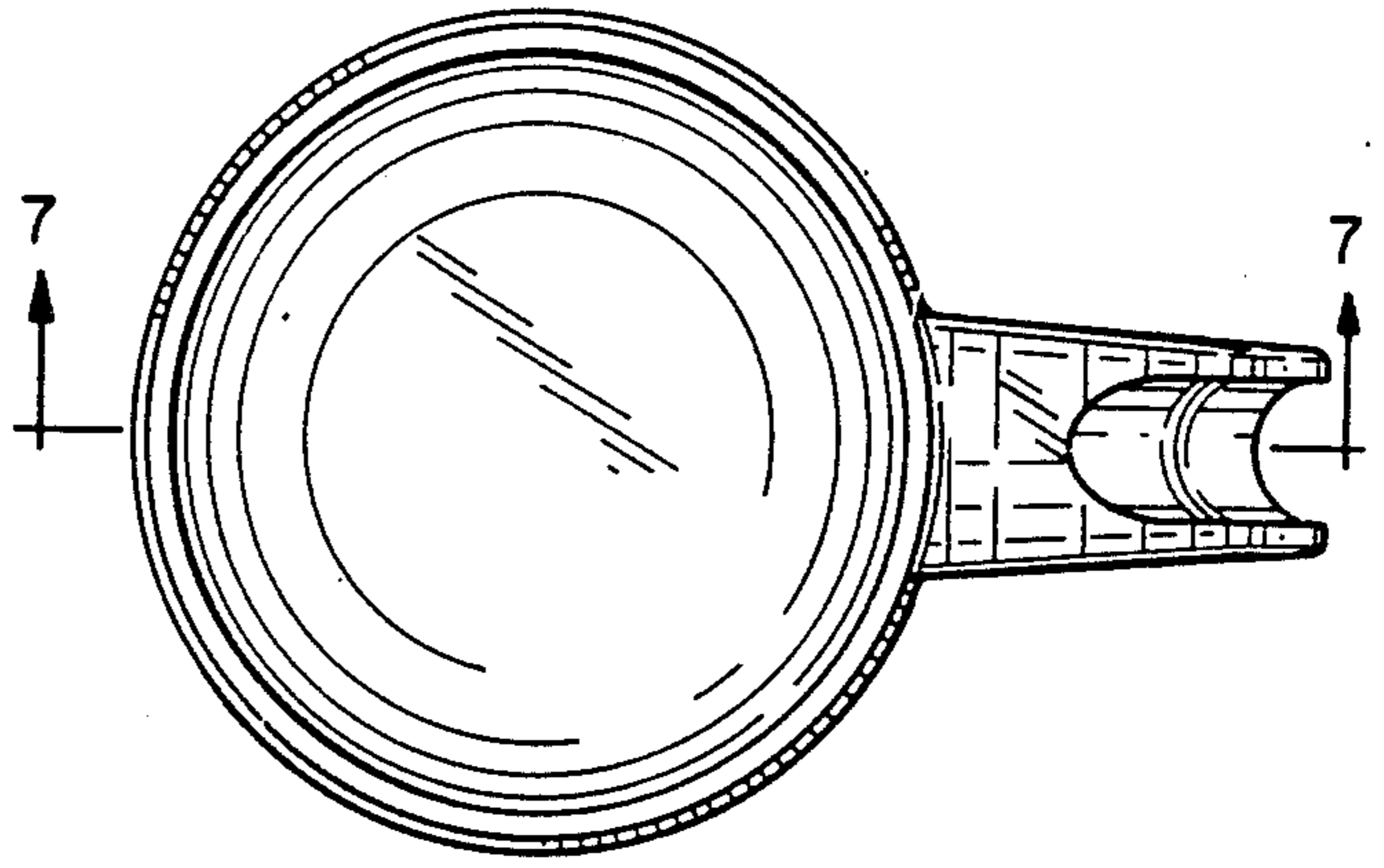


FIG. 2

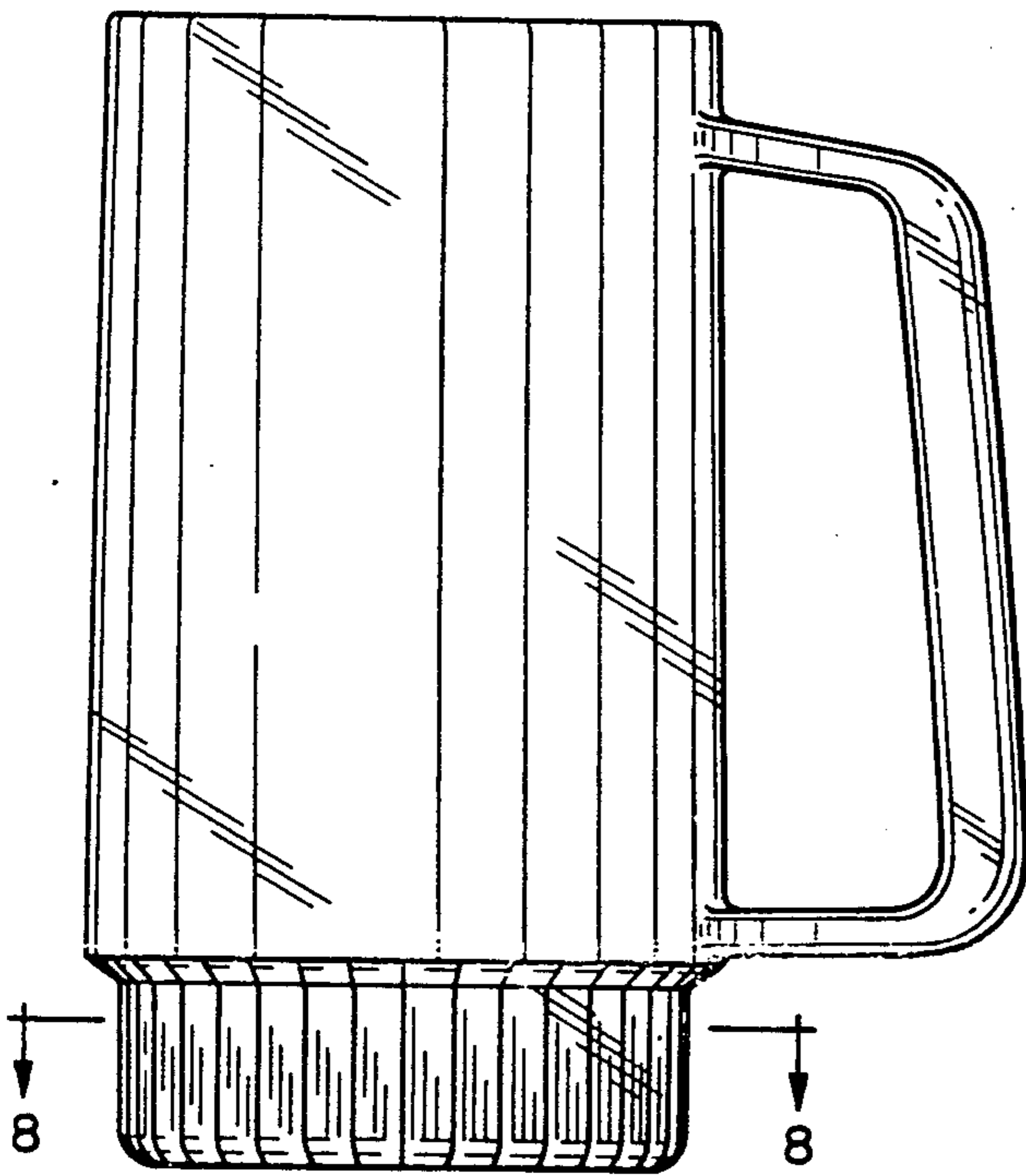


FIG. 3

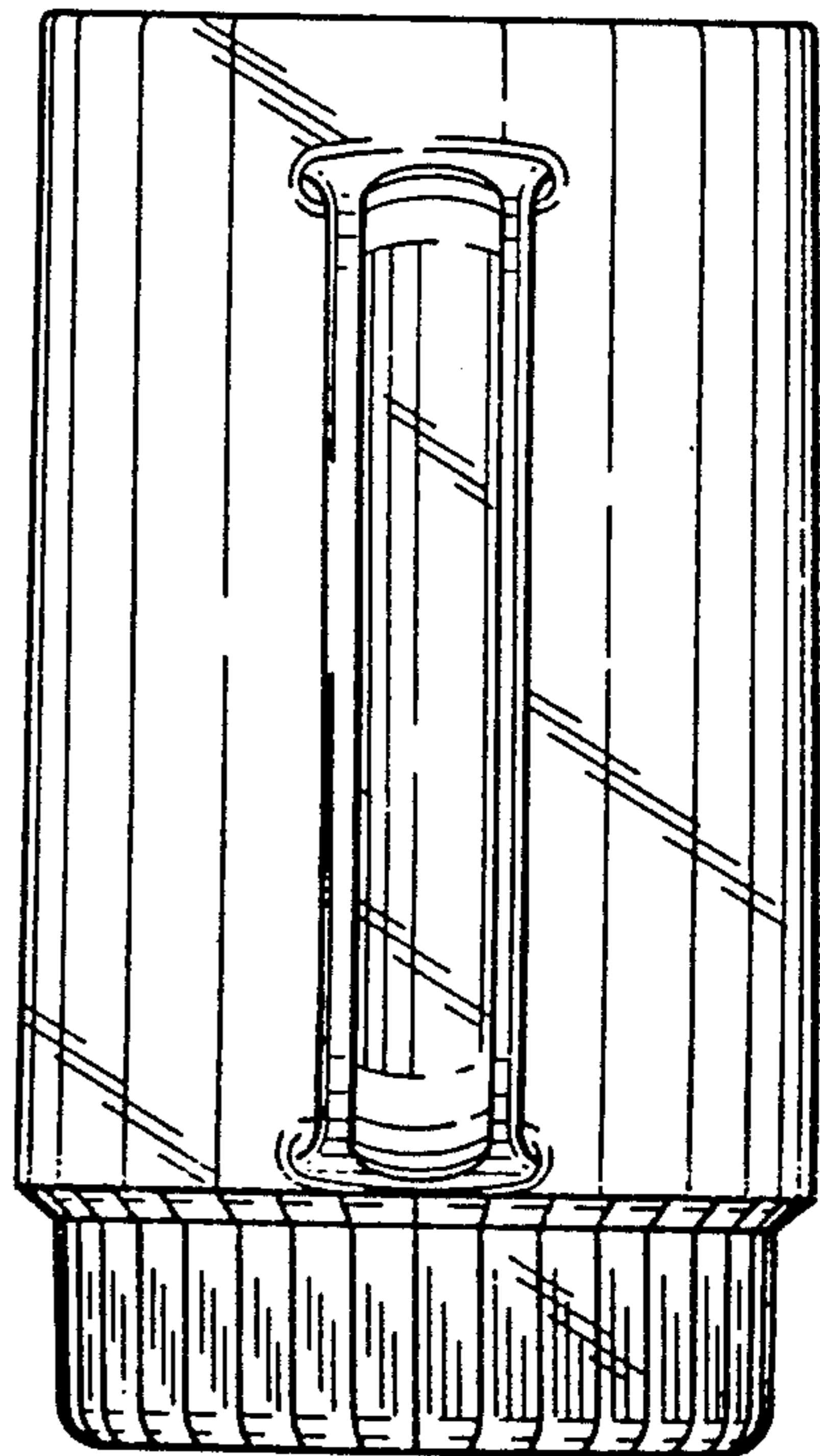


FIG. 4

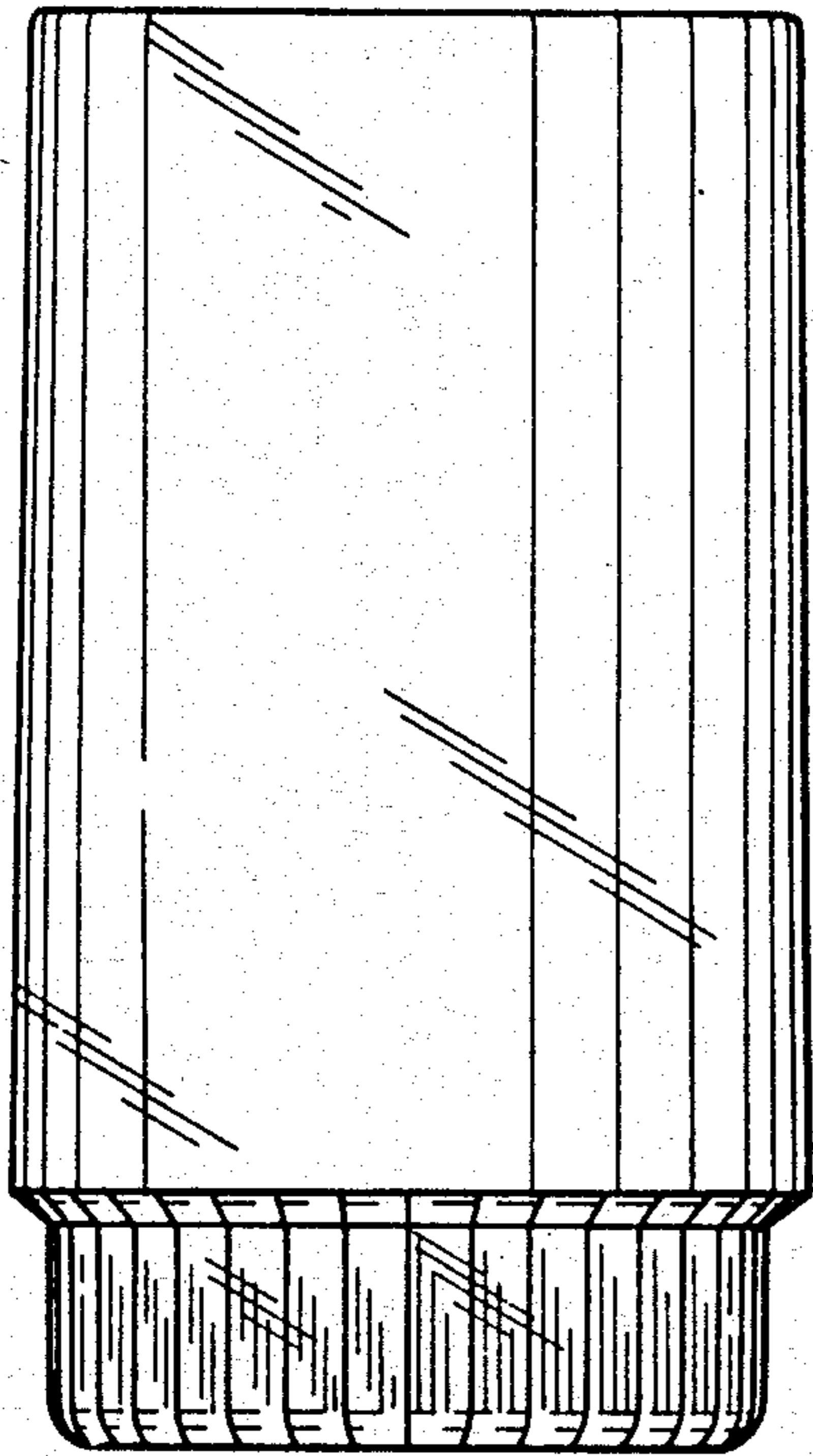


FIG. 5

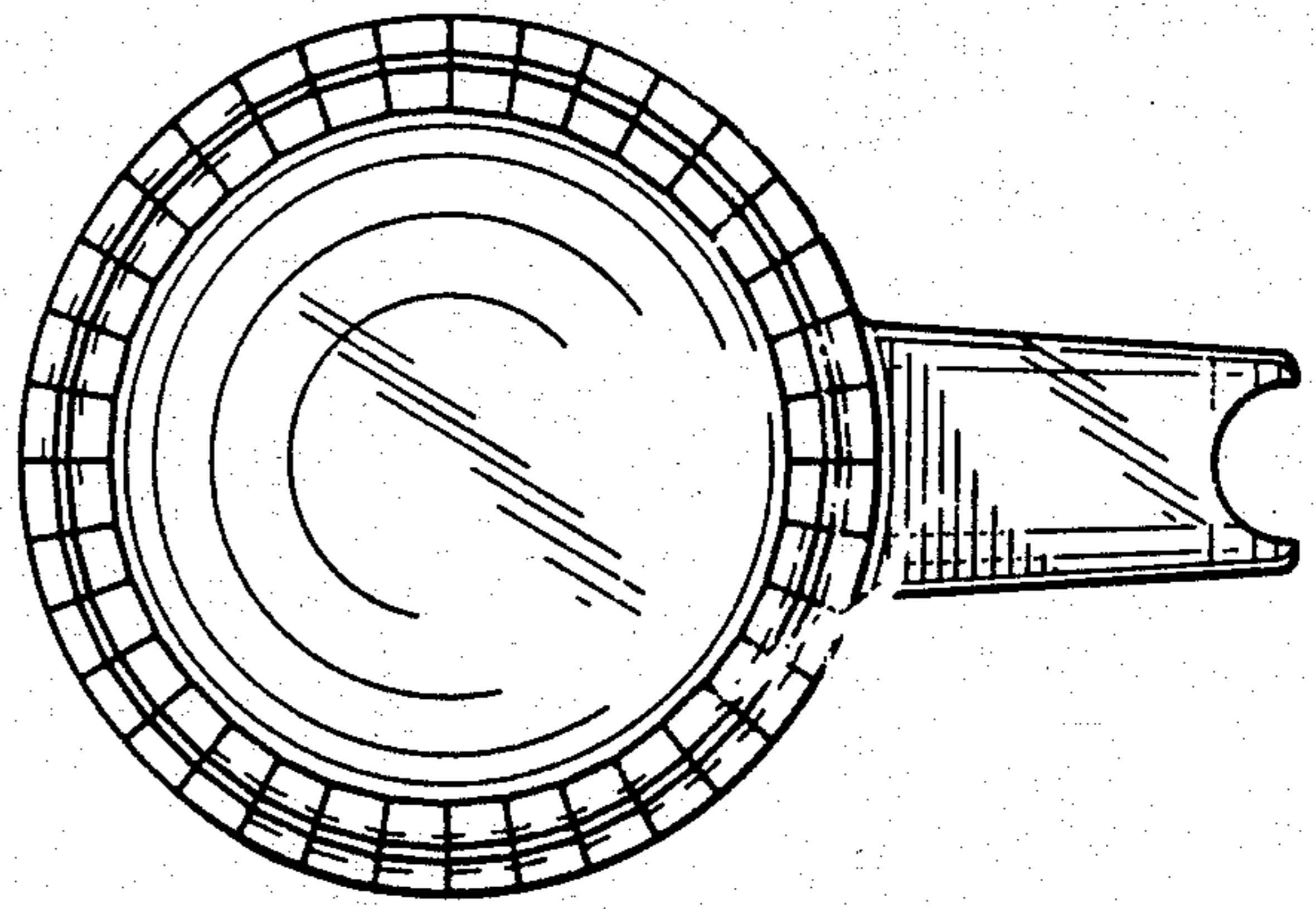


FIG. 6

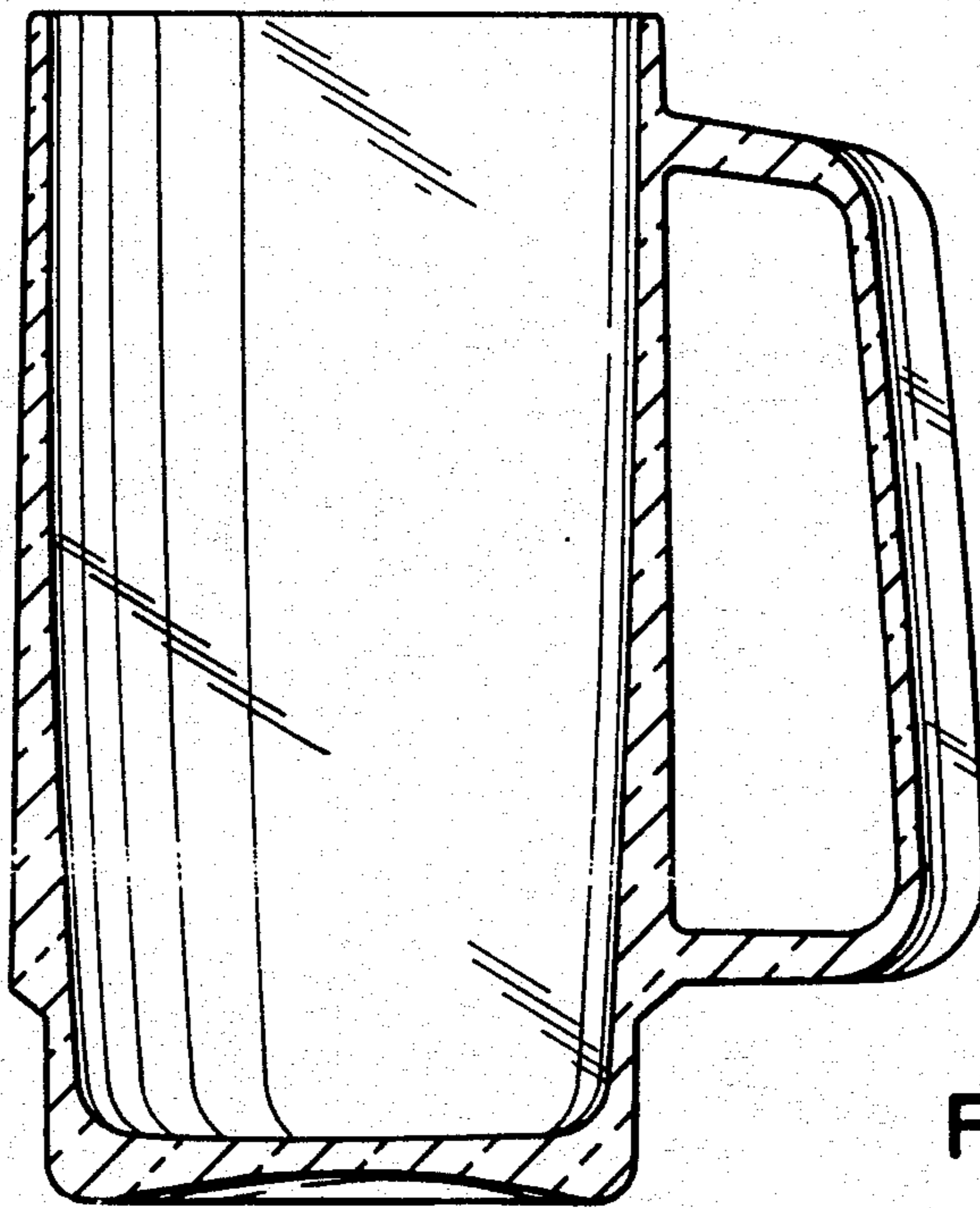


FIG. 7

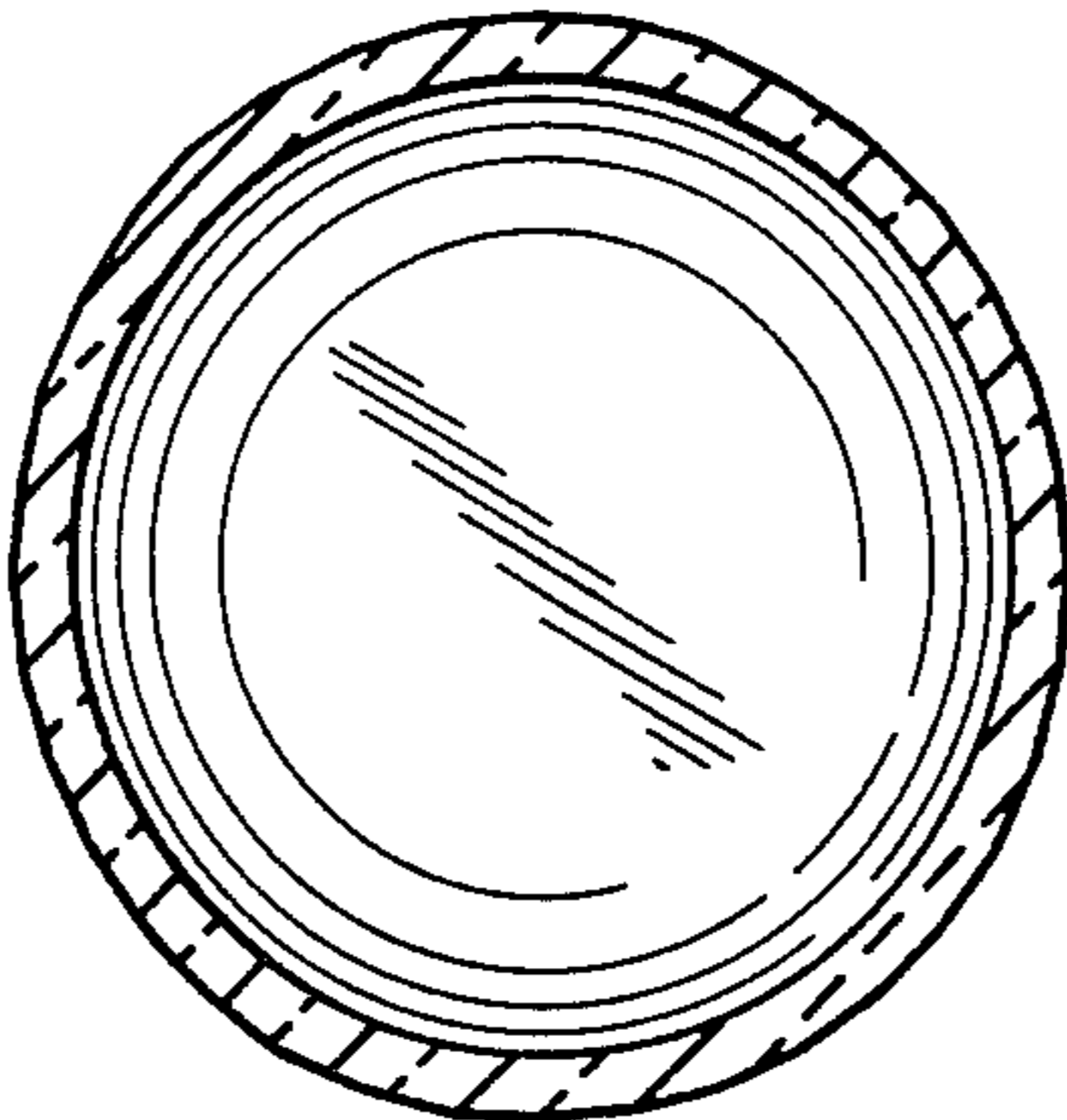


FIG.8