

[54] CHAIR CONTROL

[76] Inventor: Frank Doerner, 138 Aberdeen Road, Kitchener, Ontario, Canada, N2M 2Y7

[**] Term: 14 Years

[21] Appl. No.: 586,541

[22] Filed: Mar. 5, 1984

[30] Foreign Application Priority Data

Feb. 29, 1984 [CA] Canada 29-02-84-10

[52] U.S. Cl. D6/500

[58] Field of Search D6/491, 496, 365, 366; 248/378, 381; 297/301, 313, 325

[56] References Cited

U.S. PATENT DOCUMENTS

- D. 213,494 3/1969 Speicher et al. D6/500
- D. 242,514 11/1976 Doerner D6/500
- D. 246,217 11/1977 Doerner D6/500

- D. 247,943 5/1978 Doerner D6/500
- D. 250,501 12/1978 Pinaire et al. D6/500
- D. 259,457 6/1981 Smith D6/500
- 3,741,607 6/1973 Cramer 297/313 X
- 3,823,980 7/1974 Harnick 297/325 X

Primary Examiner—Bruce W. Dunkins
Attorney, Agent, or Firm—Riches, McKenzie & Herbert

[57] CLAIM

The ornamental design for a chair control, substantially as shown and described.

DESCRIPTION

FIG. 1 is a bottom perspective view of a chair control showing my new design;
 FIG. 2 is a bottom view thereof;
 FIG. 3 is an end elevational view thereof;
 FIG. 4 is a top view thereof;
 FIG. 5 is an end elevational view of the opposite end thereof;
 FIG. 6 is a side elevational view; and
 FIG. 7 is a side elevational view of the opposite side.

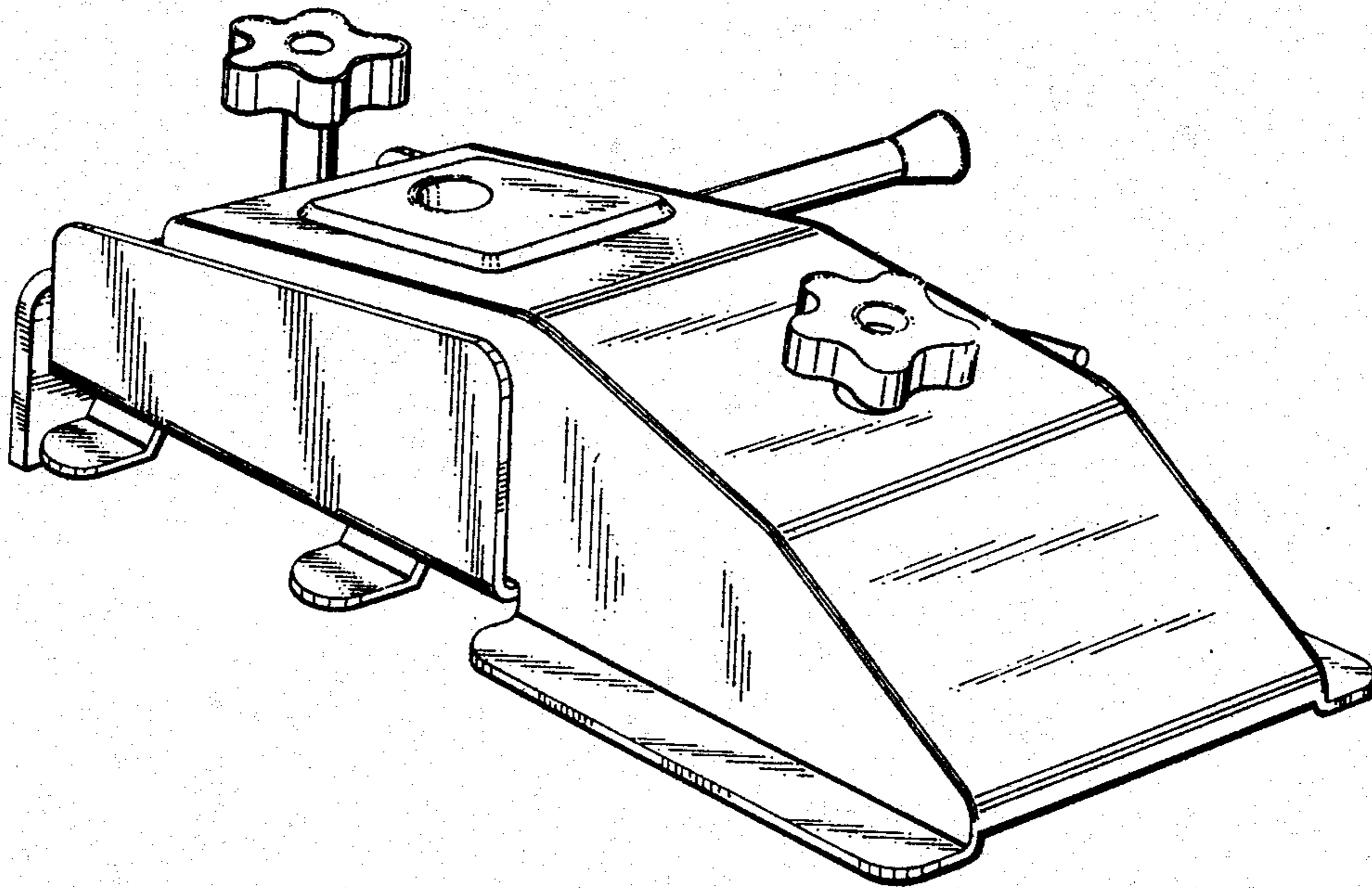
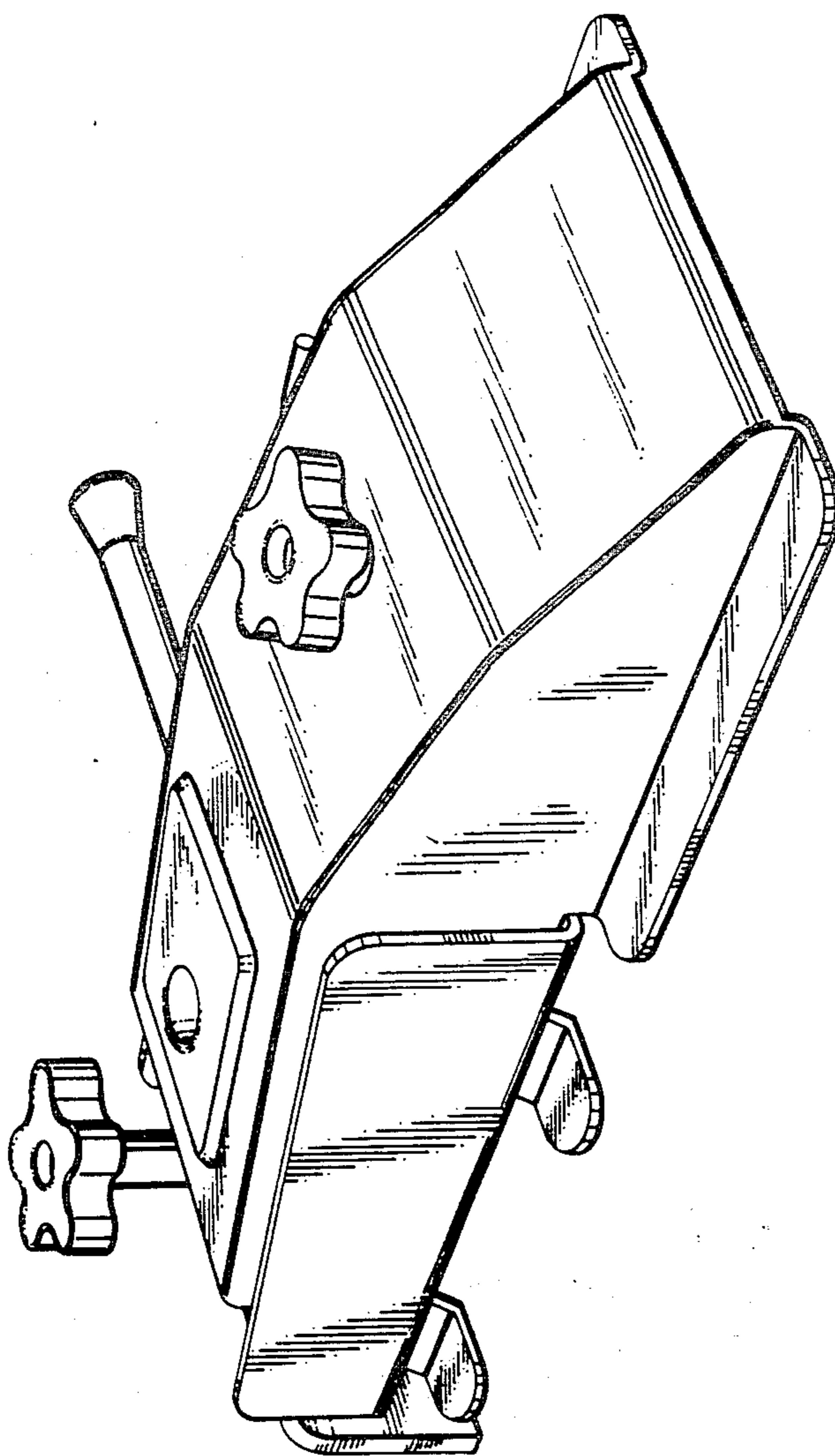


FIG. 1.



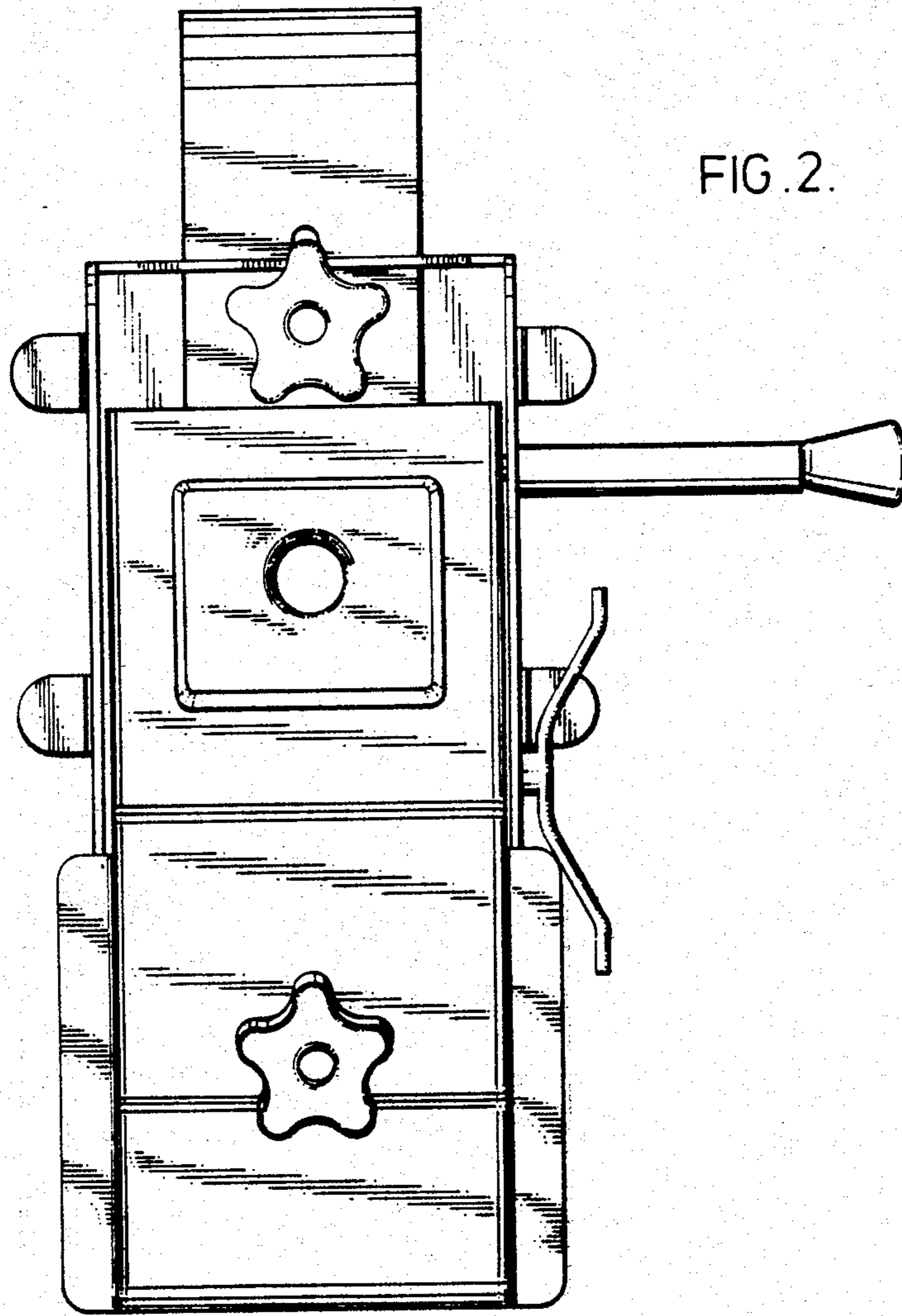


FIG. 2.

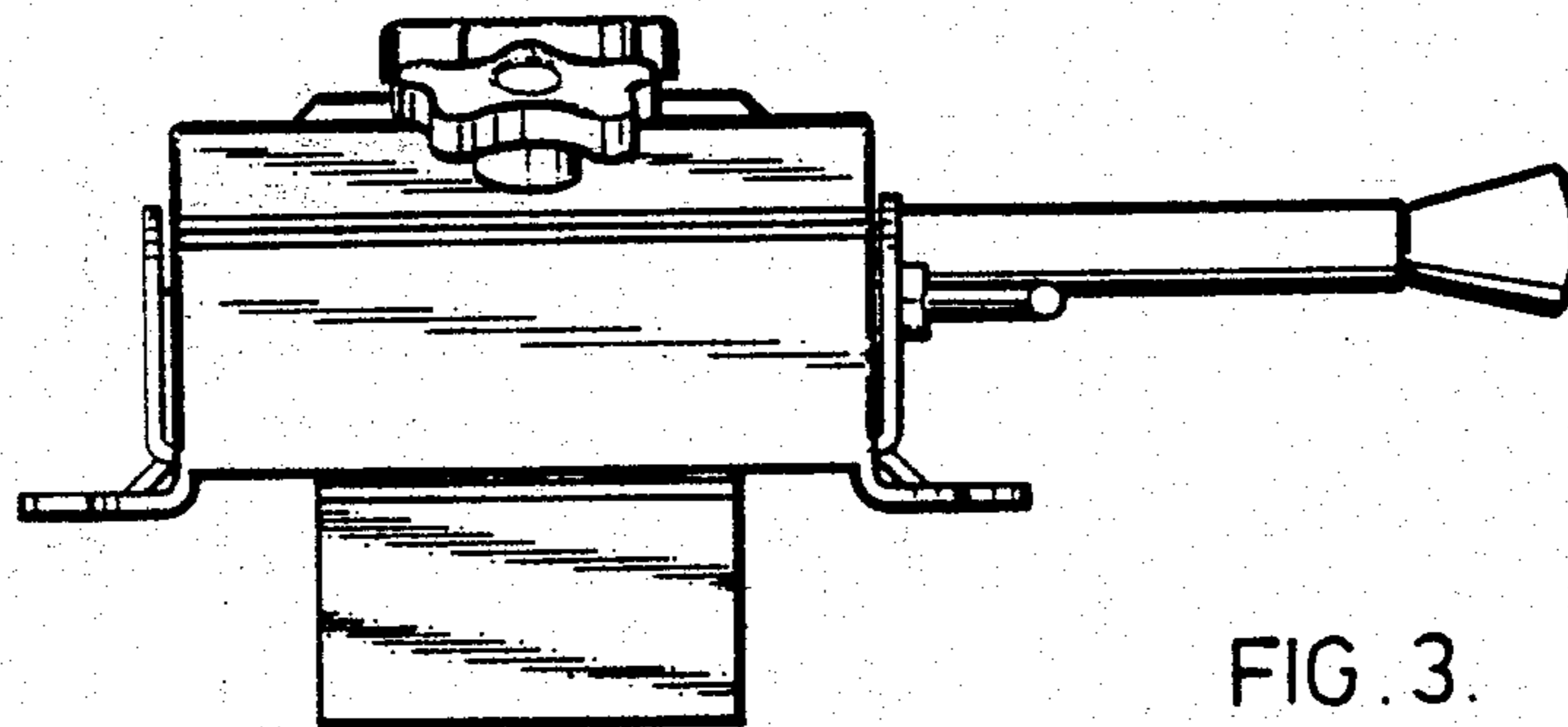


FIG. 3.

FIG. 4.

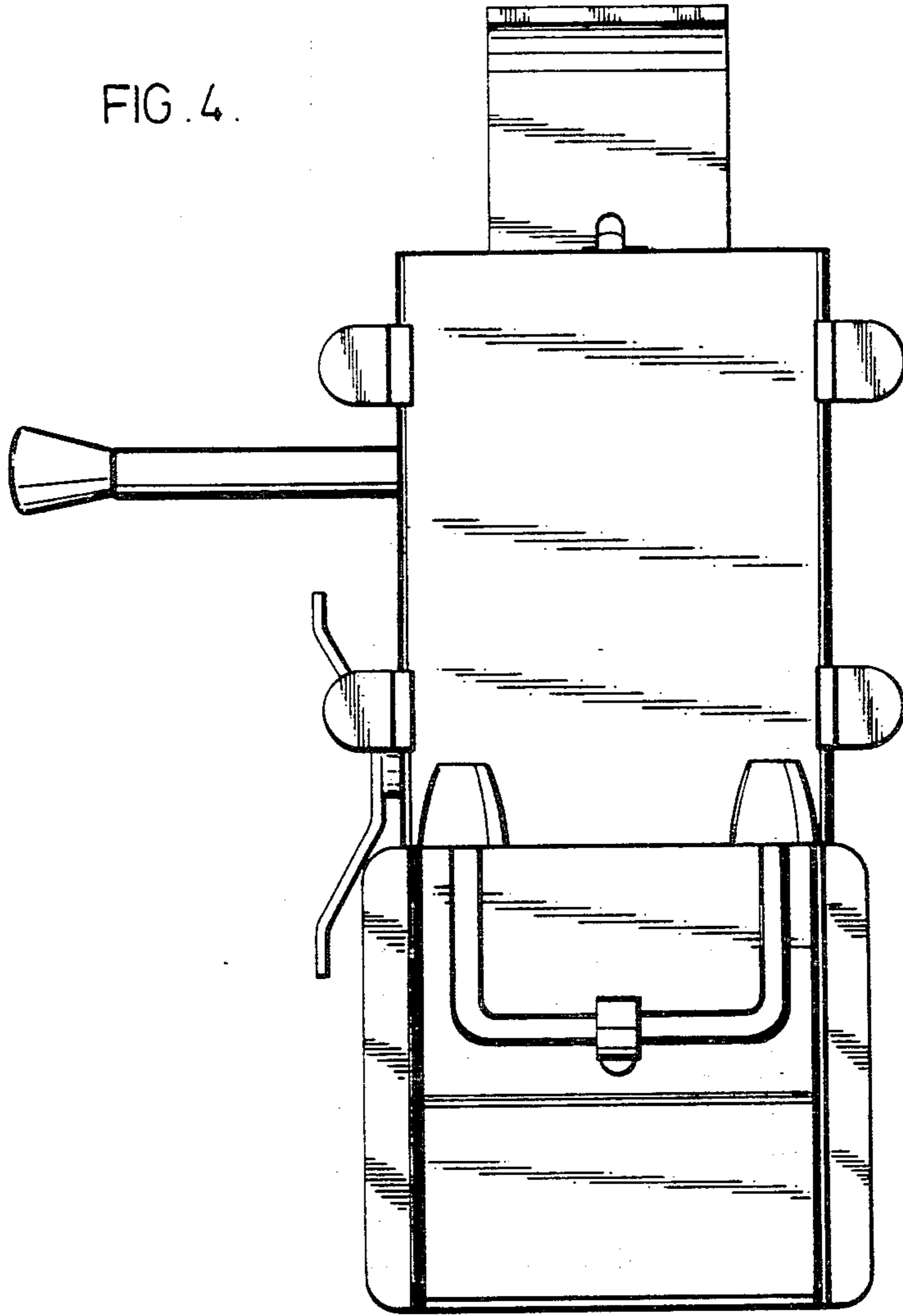
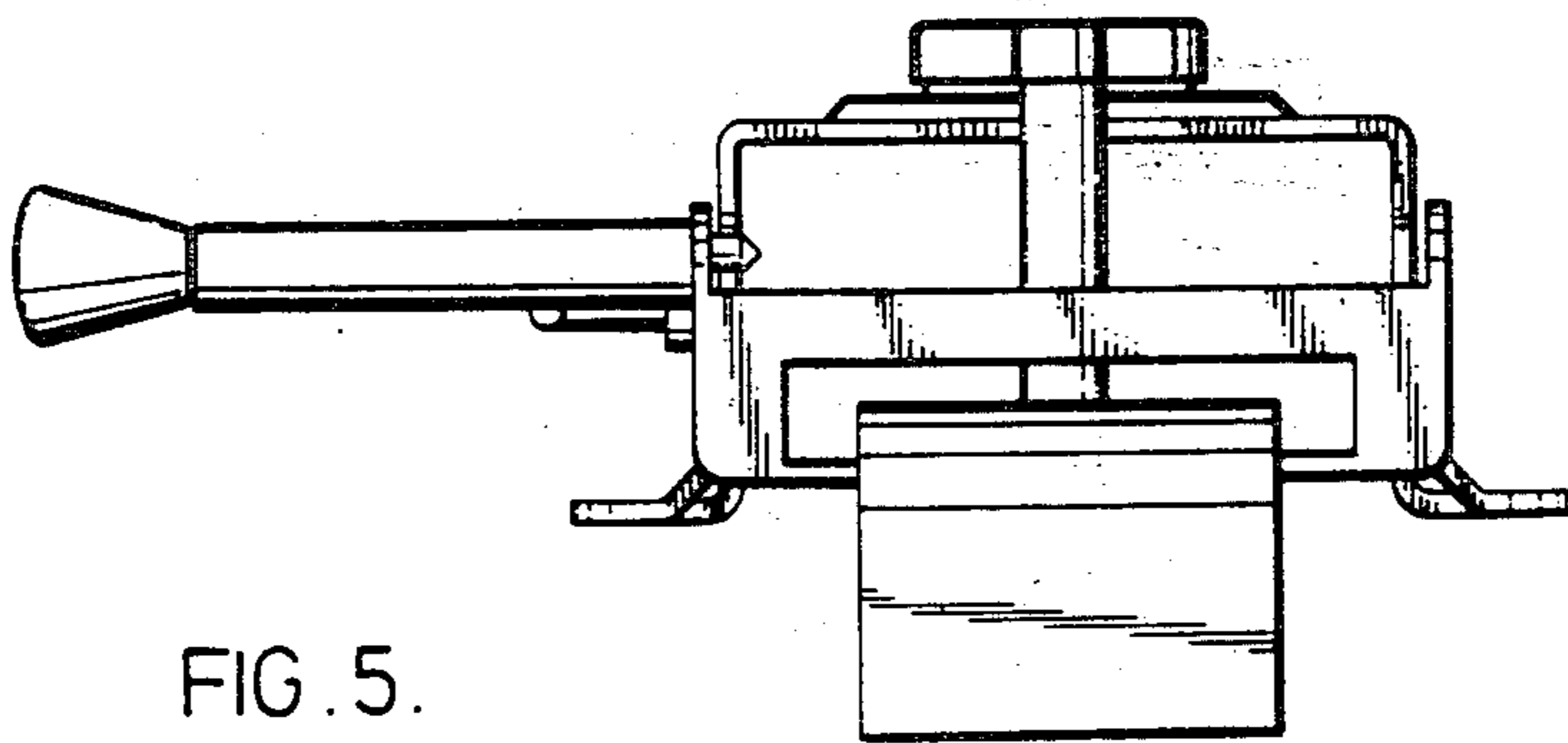


FIG. 5.



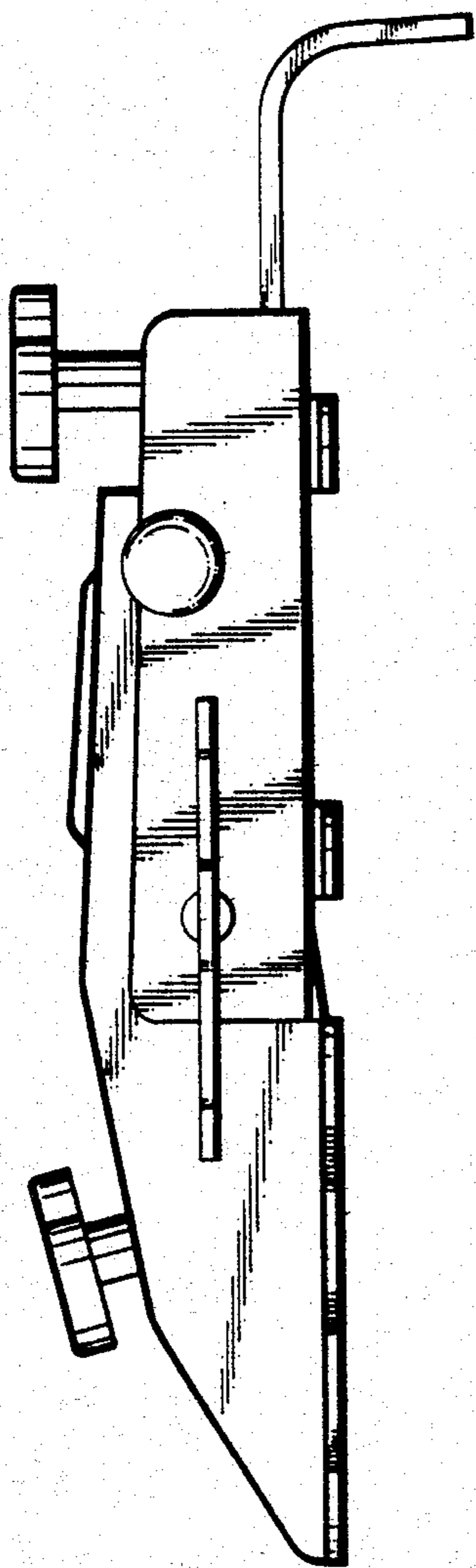


FIG. 6.

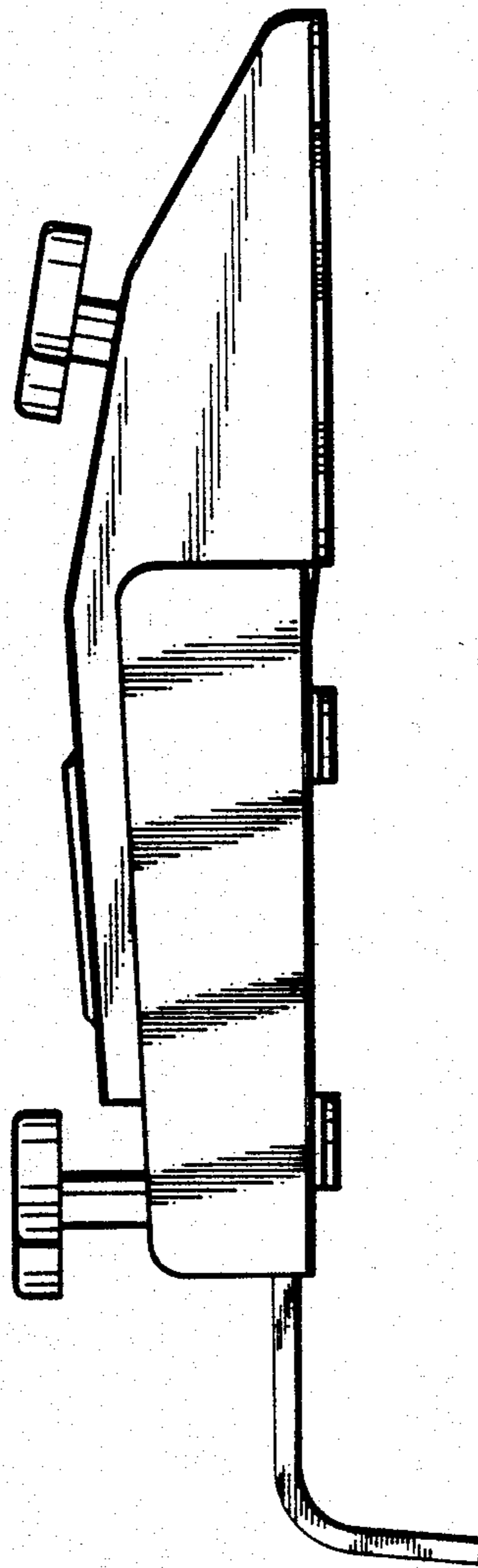


FIG. 7.