

[54] BELT BUCKLE

[75] Inventor: Alexis V. Kirk, New York, N.Y.

[73] Assignee: Somersett Moon Ltd., New York, N.Y.

[**] Term: 14 Years

[21] Appl. No.: 681,923

[22] Filed: Dec. 14, 1984

[52] U.S. Cl. D2/422; D2/414

[58] Field of Search D2/380, 381, 384, 385, D2/393, 394, 405, 406, 408-410, 414, 417, 418, 420, 424, 426, 427, 429, 431, 434, 437, 441-448; 24/163 K, 169, 171, 176, 180, 186, 194, 196-198, 200, 308-310, 312

[56] References Cited

U.S. PATENT DOCUMENTS

- D. 140,270 2/1945 Sharp D2/380
- D. 190,646 6/1961 Buckley D2/405
- D. 254,939 5/1980 Lober D2/418

OTHER PUBLICATIONS

"Notion and Novelty Review", Sep. 1935, p. 14, bottom left of page.

Primary Examiner—Bernard Ansher
Assistant Examiner—Theodore M. Shooman

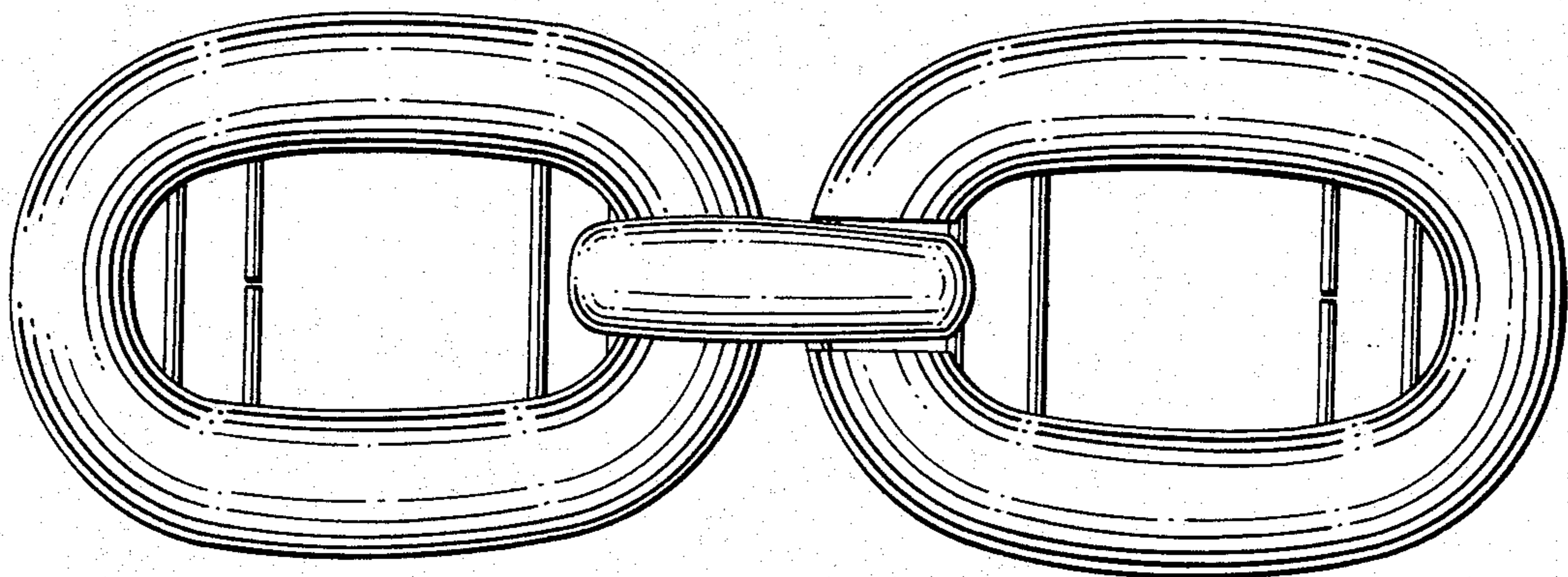
Attorney, Agent, or Firm—Frishauf & Partners

[57] CLAIM

The ornamental design for belt buckle, as shown and described.

DESCRIPTION

FIG. 1 is a top plan view of a belt buckle showing my new design, the bottom plan view being a mirror image; FIG. 2 is a front elevational view thereof; FIG. 3 is a rear elevational view thereof; FIG. 4 is a right side elevational view thereof, the left side elevational view being a mirror image; FIG. 5 is a partial front elevational view thereof, showing the buckle in an open position, the broken lines being for ease of illustration; FIG. 6 is a top plan view of a second embodiment of the belt buckle shown in FIG. 1, the bottom plan view being a mirror image; FIG. 7 is a front elevational view of the embodiment disclosed in FIG. 6; FIG. 8 is a right side elevational view of the embodiment disclosed in FIG. 6, the left side elevational view being a mirror image; FIG. 9 is a rear elevational view of the embodiment disclosed in FIG. 6; and FIG. 10 is a partial front elevational view of the embodiment disclosed in FIG. 6, showing the buckle in an open position, the broken lines being for ease of illustration.



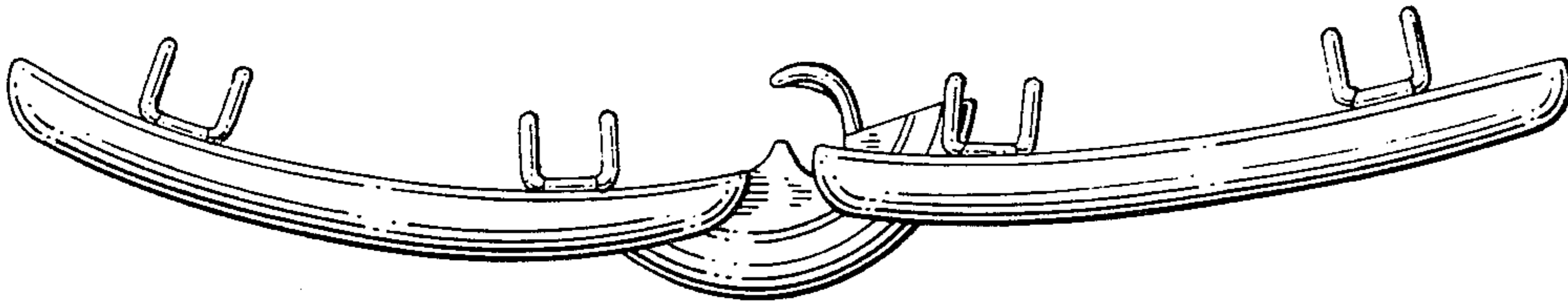


FIG. 1

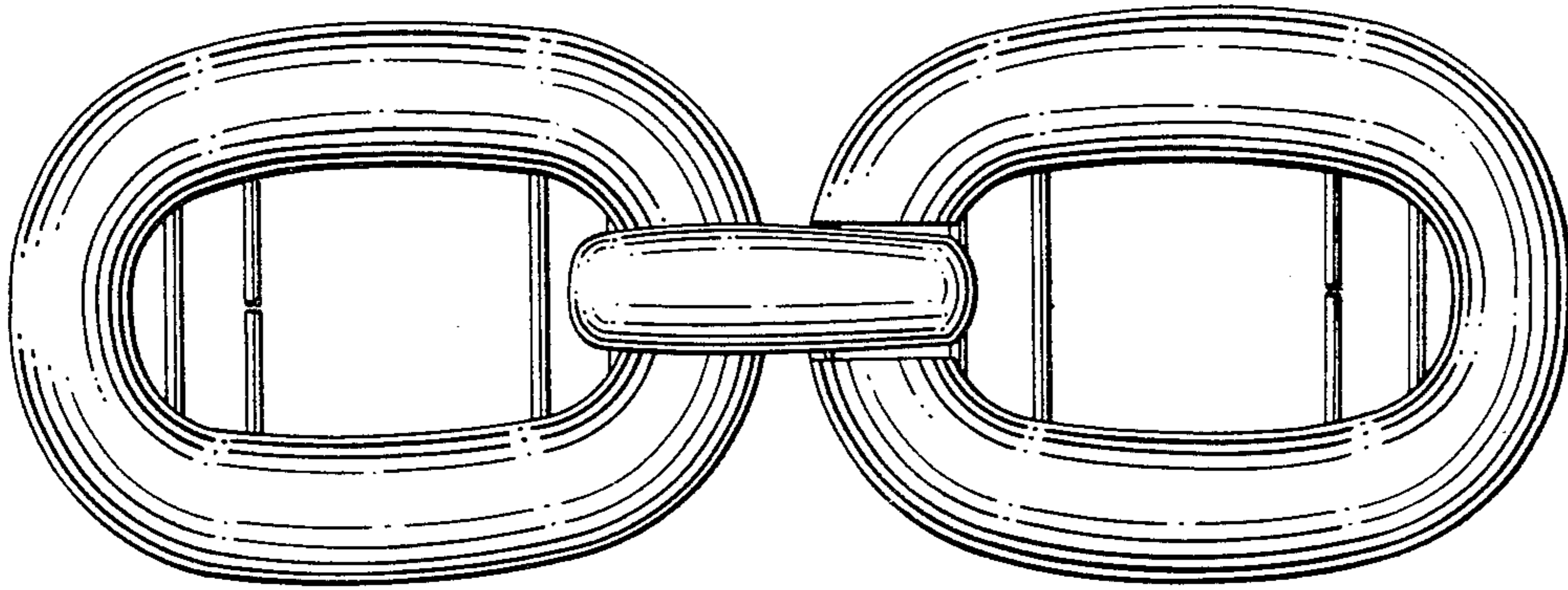


FIG. 2

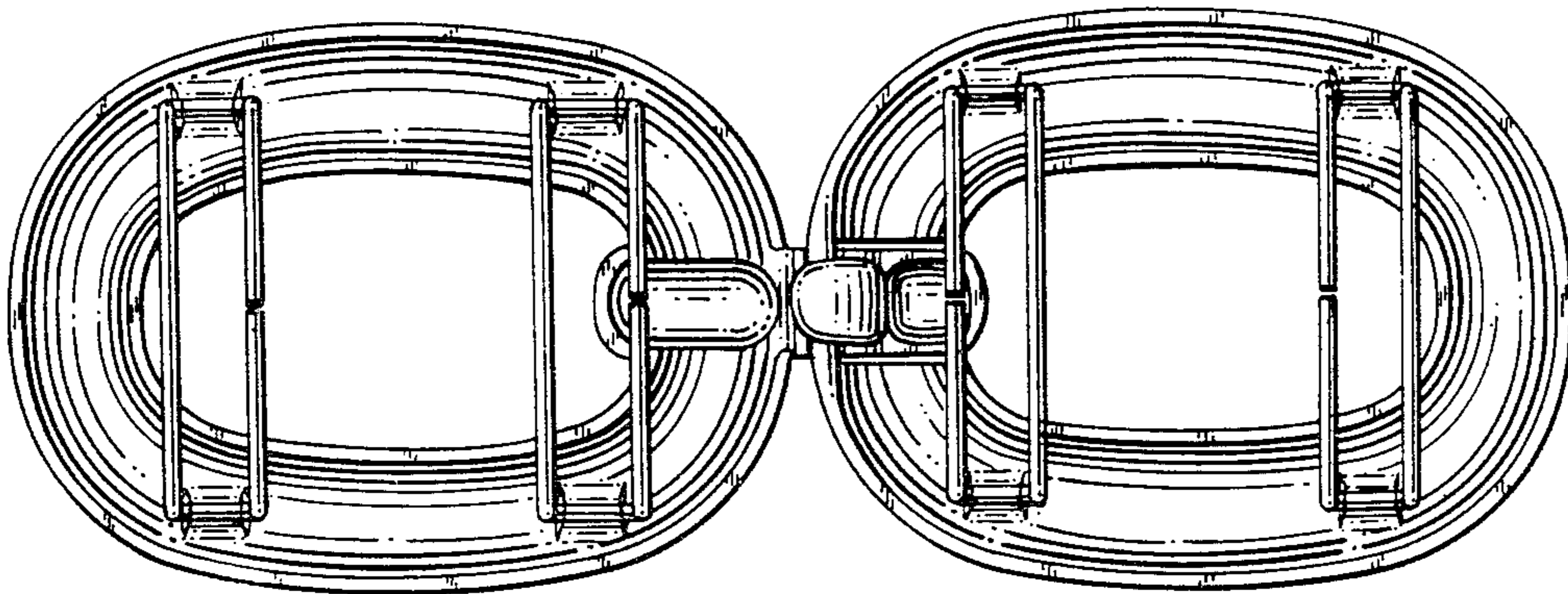


FIG. 3

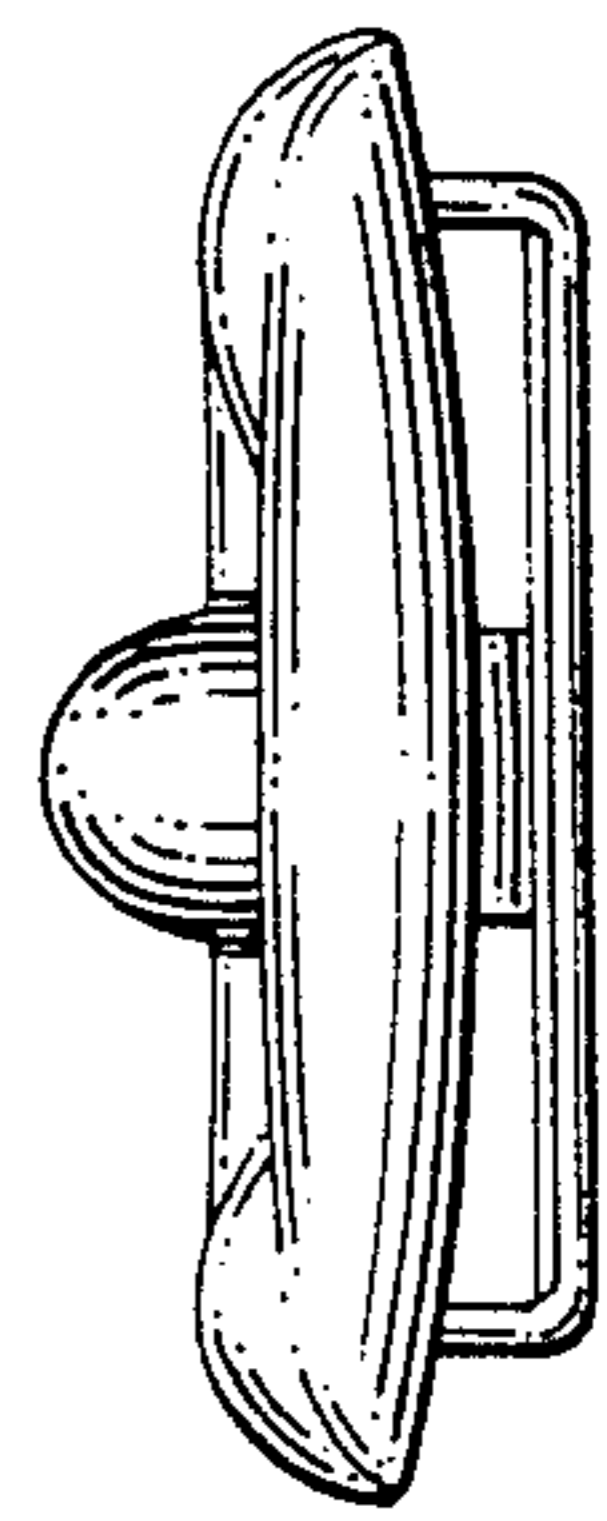


FIG. 4

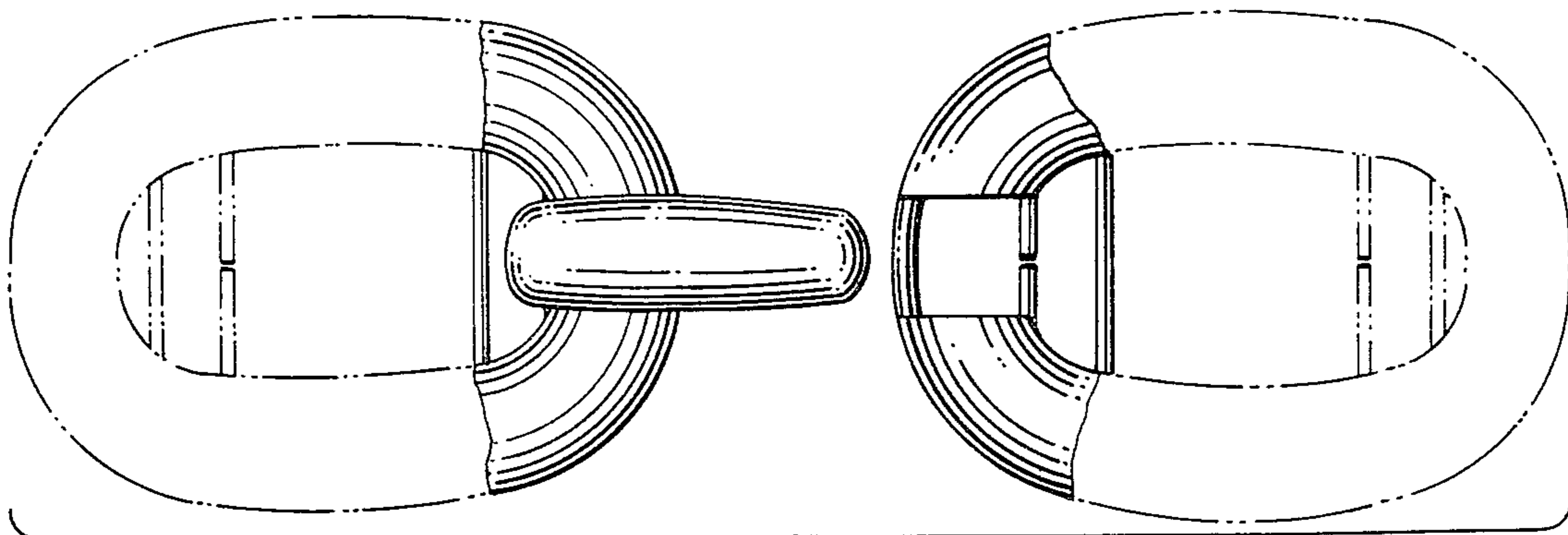


FIG. 5

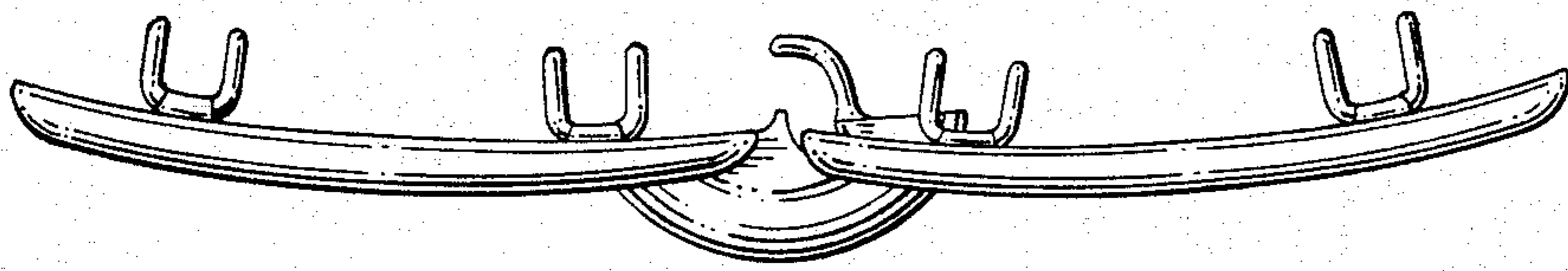


FIG. 6

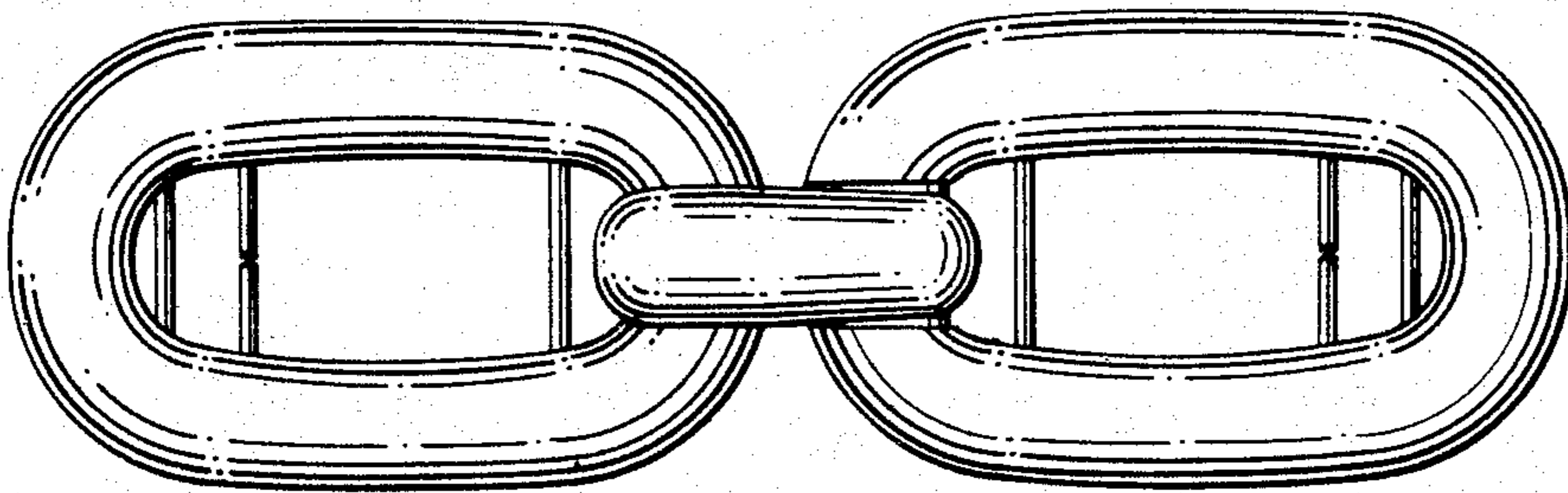


FIG. 7

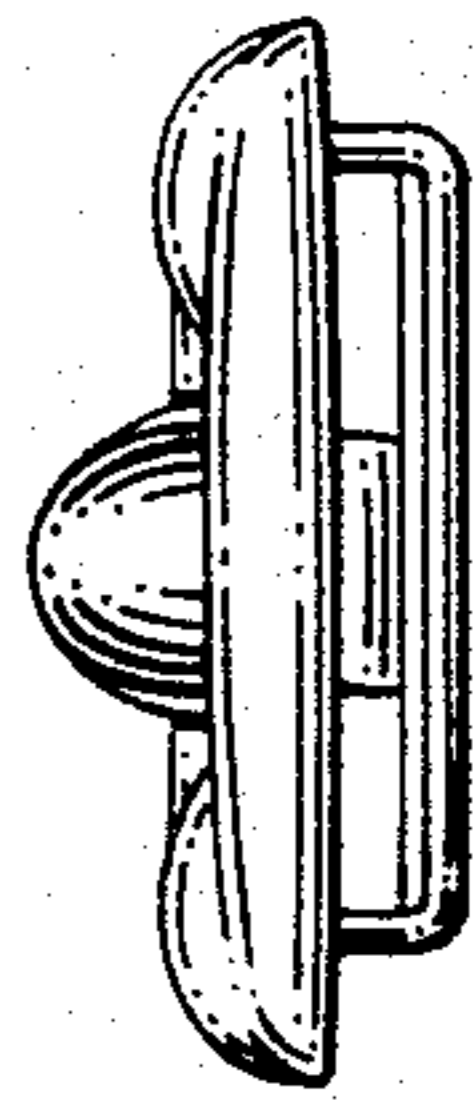


FIG. 8

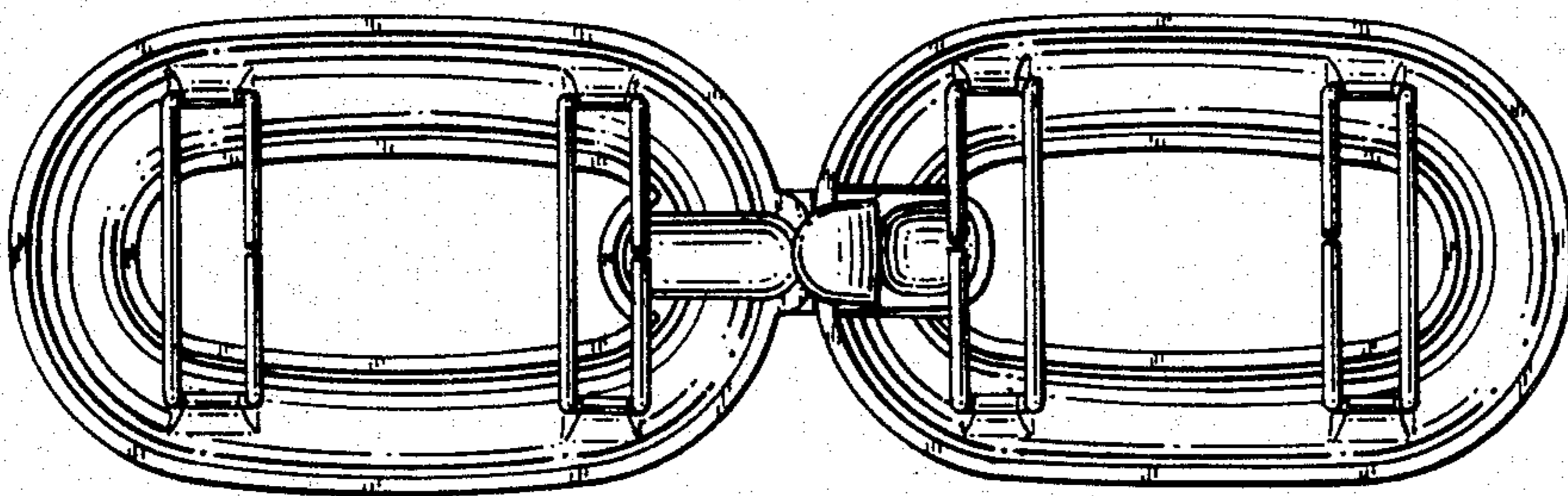


FIG. 9

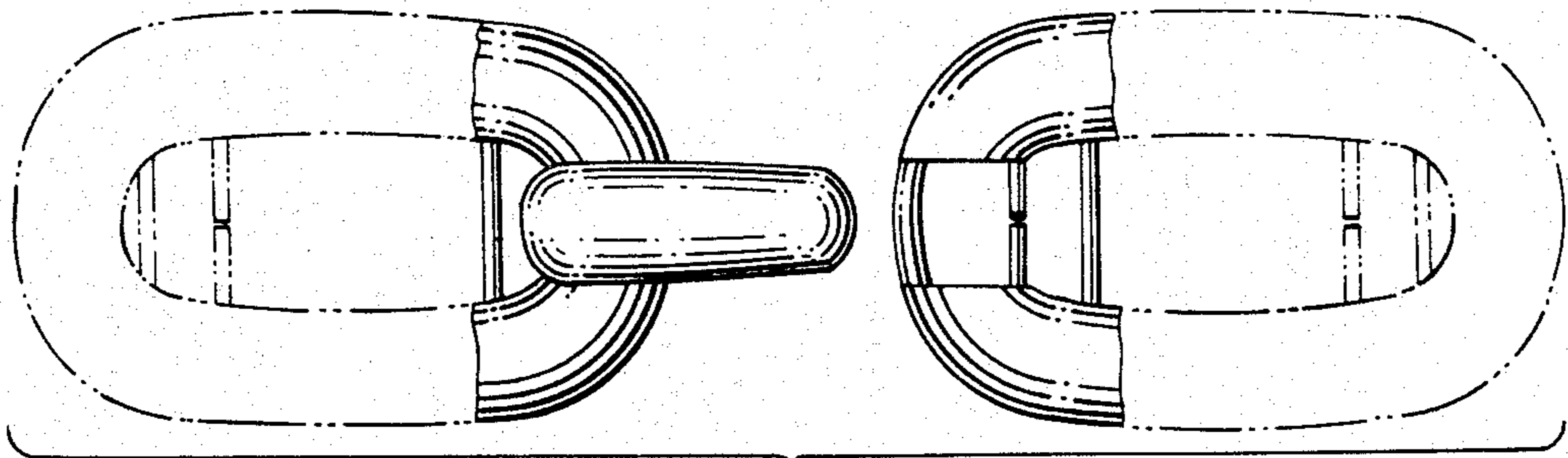


FIG. 10