

[54] **CASE FOR TOBACCO PRODUCTS**
 [75] **Inventor: Christian Burger, Burg, Switzerland**
 [73] **Assignee: Burger Söhne AG Burg, Burg, Switzerland**
 [**] **Term: 14 Years**
 [21] **Appl. No.: 547,415**
 [22] **Filed: Oct. 31, 1983**

[30] **Foreign Application Priority Data**
 Jun. 10, 1983 [CH] Switzerland 113099
 [52] **U.S. Cl. D27/47**
 [58] **Field of Search D27/46-49;**
 206/236, 242, 249, 250, 251, 256, 259, 261-275

[56] **References Cited**
U.S. PATENT DOCUMENTS
 1,133,745 3/1915 Potter 206/251
 1,156,019 10/1915 Nivois 206/251
 1,170,067 2/1916 Hough 206/251
 1,170,090 2/1916 Mix 206/251
 1,194,905 8/1916 Wallenstein 206/265

1,229,502 6/1917 Nivois 206/251
 1,288,150 12/1918 Oldenbusch 206/261
 2,234,649 3/1941 Meincke 206/251

FOREIGN PATENT DOCUMENTS

2327294 1/1975 Fed. Rep. of Germany 206/268

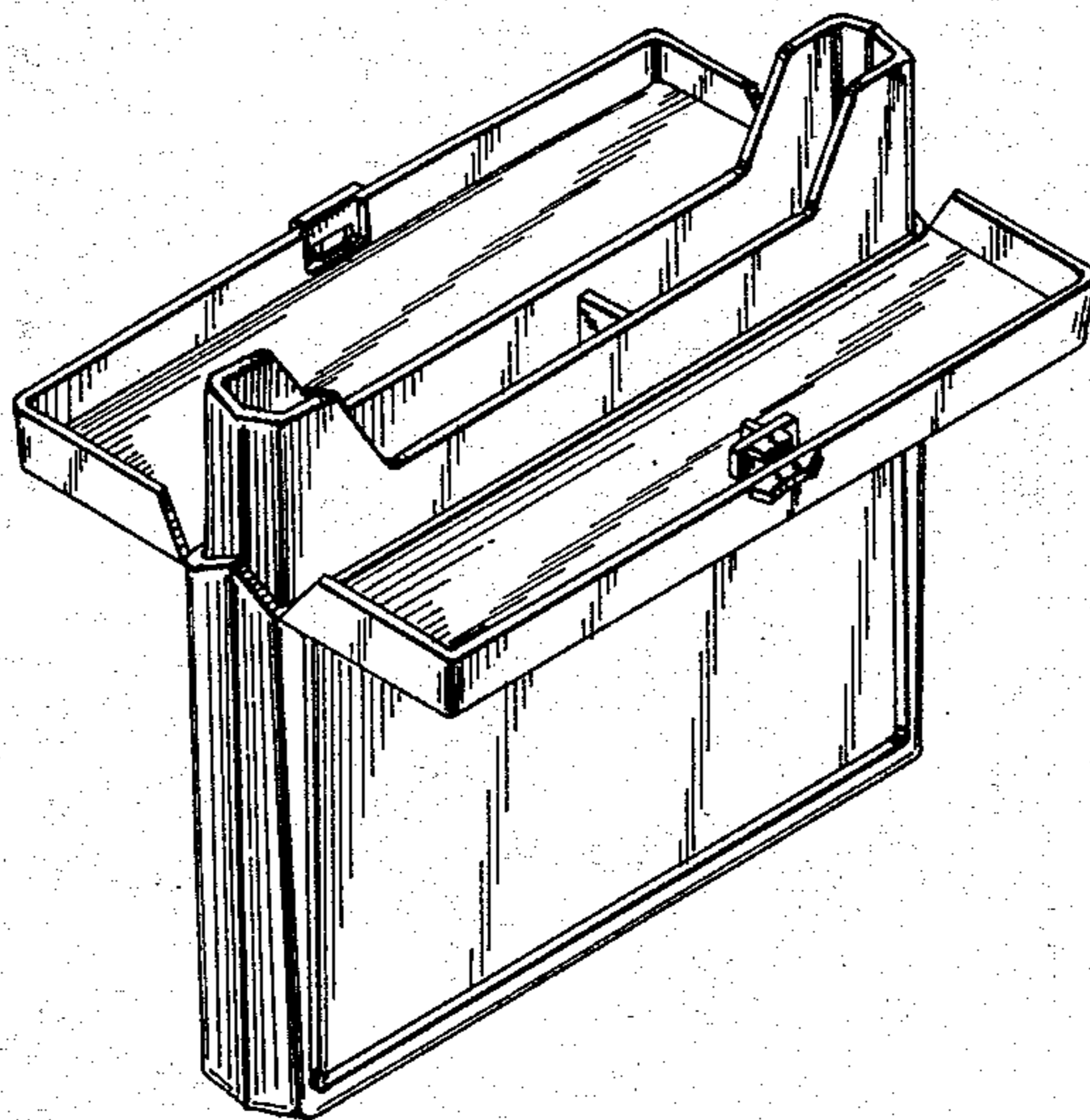
Primary Examiner—Catherine E. Kemper
Attorney, Agent, or Firm—Collard, Roe & Galgano

[57] **CLAIM**

The ornamental design for a case for tobacco products, substantially as shown.

DESCRIPTION

FIG. 1 is a top front perspective view of a case for tobacco products, showing my new design;
 FIG. 2 is a front elevational view, the rear being identical thereto;
 FIG. 3 is a right side elevational view, the left side being identical thereto;
 FIG. 4 is a bottom plan view thereof;
 FIG. 5 is a top plan view thereof; and
 FIG. 6 is a perspective view of the case as it appears when opened.



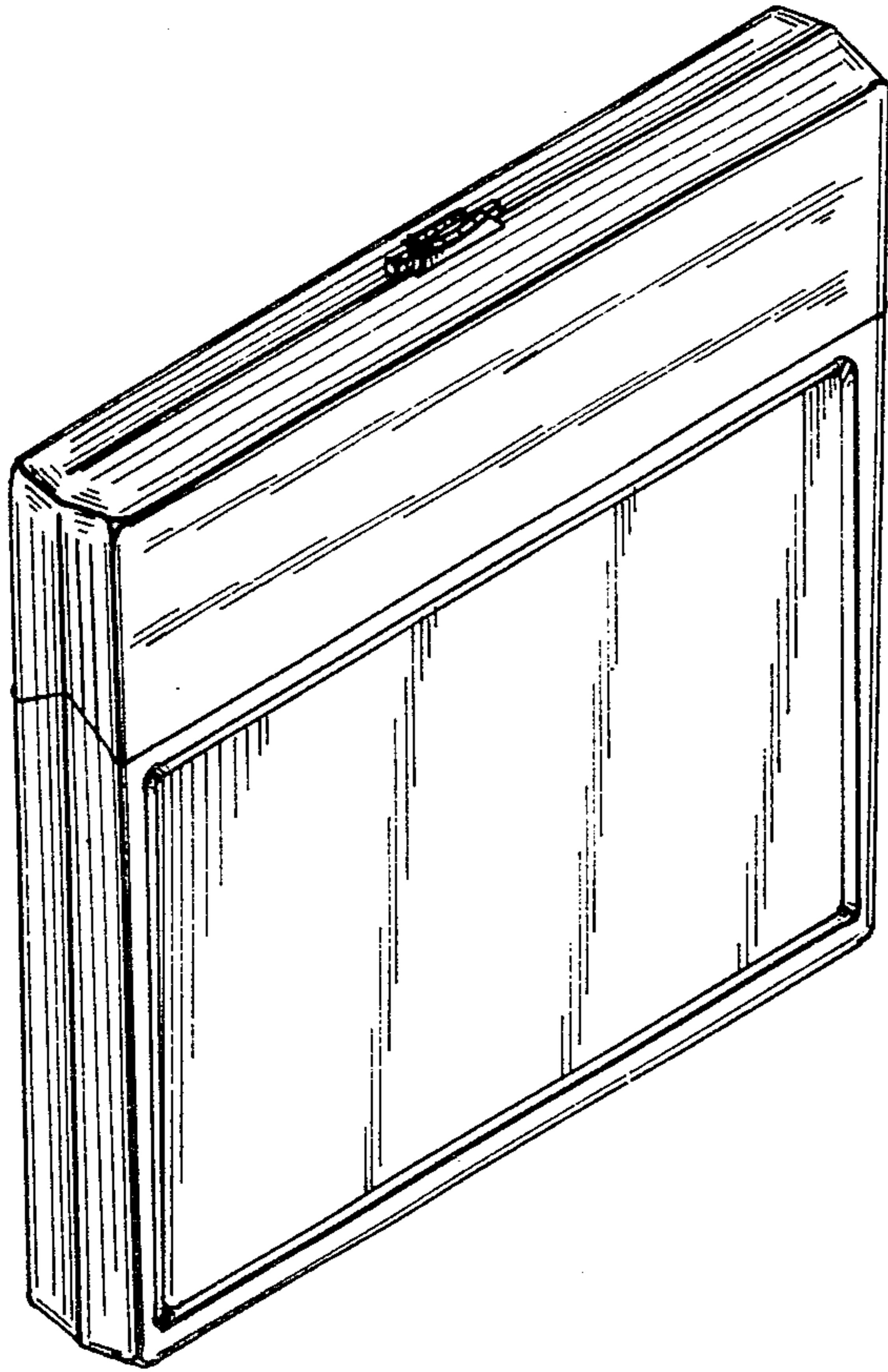


FIG. 1

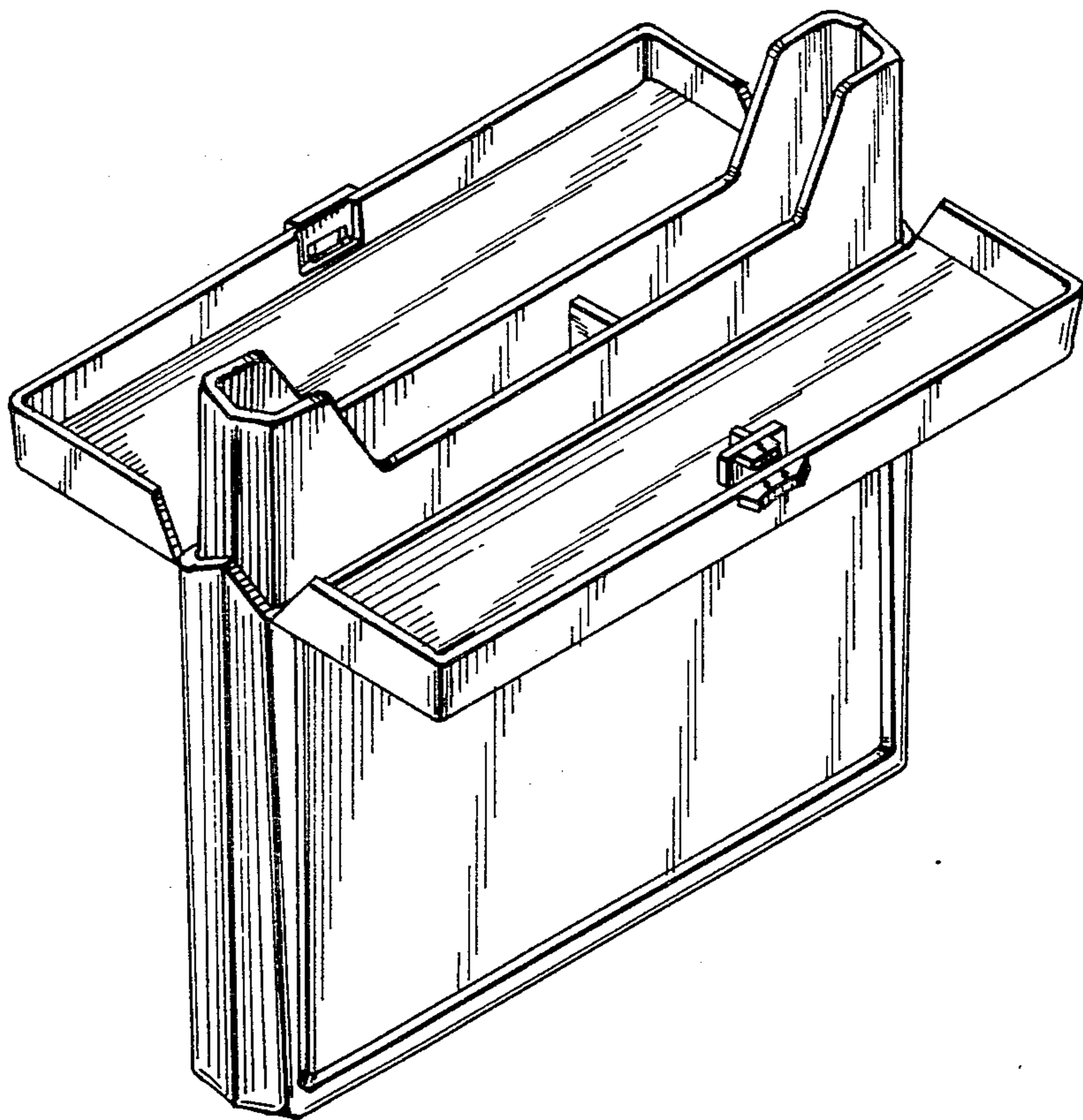


FIG. 6

FIG. 4

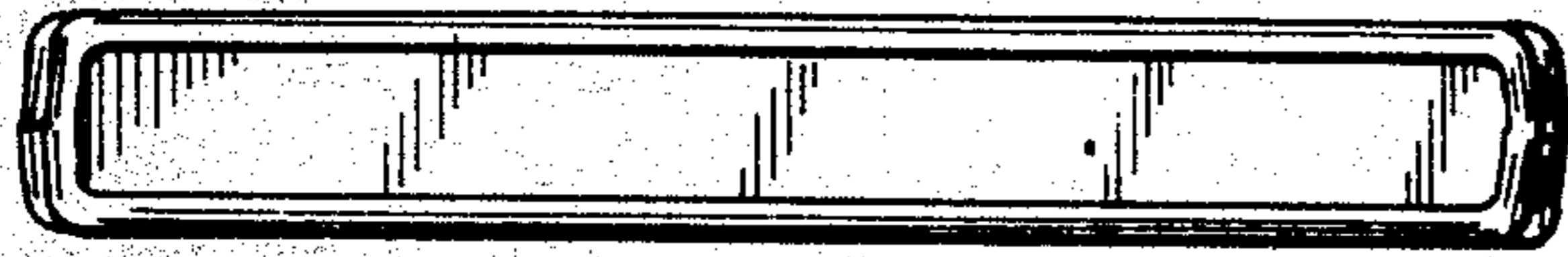


FIG. 3

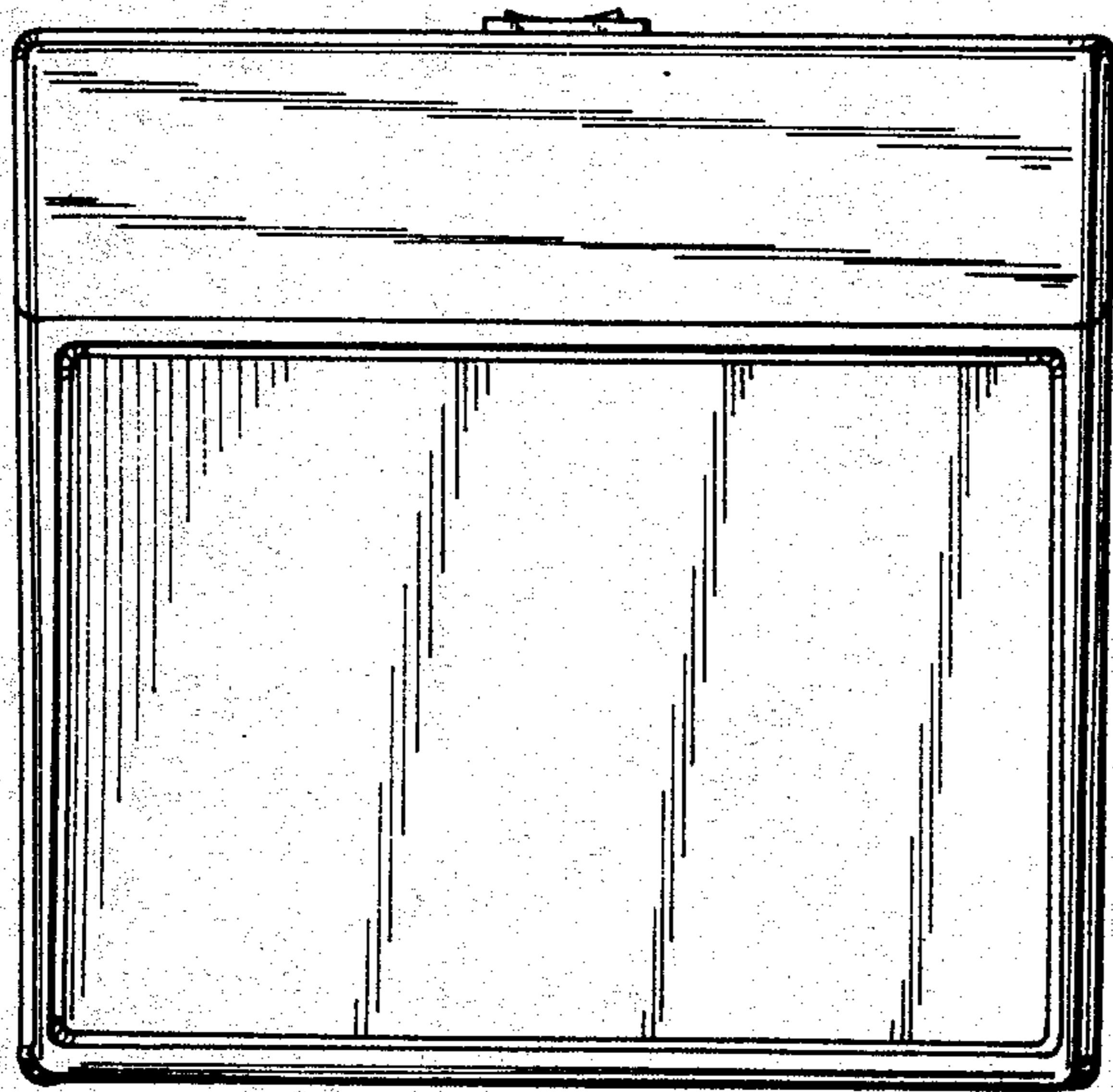


FIG. 2



FIG. 5