

[54] **BATHTUB**

[76] **Inventor:** Alan L. Steinhardt, 10200-6 Larwin Ave., Chatsworth, Calif. 91304

[**] **Term:** 14 Years

[21] **Appl. No.:** 623,849

[22] **Filed:** Jun. 25, 1984

[52] **U.S. Cl.** D23/55; D24/38

[58] **Field of Search** D23/55, 56, 48; D24/38; 4/538, 575, 578, 579, 584

[56] **References Cited**

U.S. PATENT DOCUMENTS

D. 259,510	6/1981	Reineman	D23/55
D. 260,931	9/1981	Reineman	D23/55
D. 280,342	8/1985	Kohler, Jr.	D24/38

OTHER PUBLICATIONS

1981 Sweet's Catalog File, WaterJet Brochure, Sec. 15.7/Wat, p. 3, "The Confidence" Whirlpool Bath, top of page.

Primary Examiner—James M. Gandy
Attorney, Agent, or Firm—Allan M. Shapiro

[57] **CLAIM**

The ornamental design for a bathtub, as shown and described.

DESCRIPTION

FIG. 1 is a top plan view of a bathtub, showing my new design;
FIG. 2 is a side elevational view thereof as seen from either the top or bottom of FIG. 1;
FIG. 3 is an end elevational view thereof as seen from either the right or left of FIG. 1;
FIG. 4 is a transverse sectional view thereof, partly in elevation, taken in the direction of the arrows along line 4—4 in FIG. 1;
FIG. 5 is a longitudinal sectional view thereof, partly in elevation, taken in the direction of the arrows along line 5—5 in FIG. 1;
FIG. 6 is a perspective view thereof; and
FIG. 7 is a bottom plan view thereof.

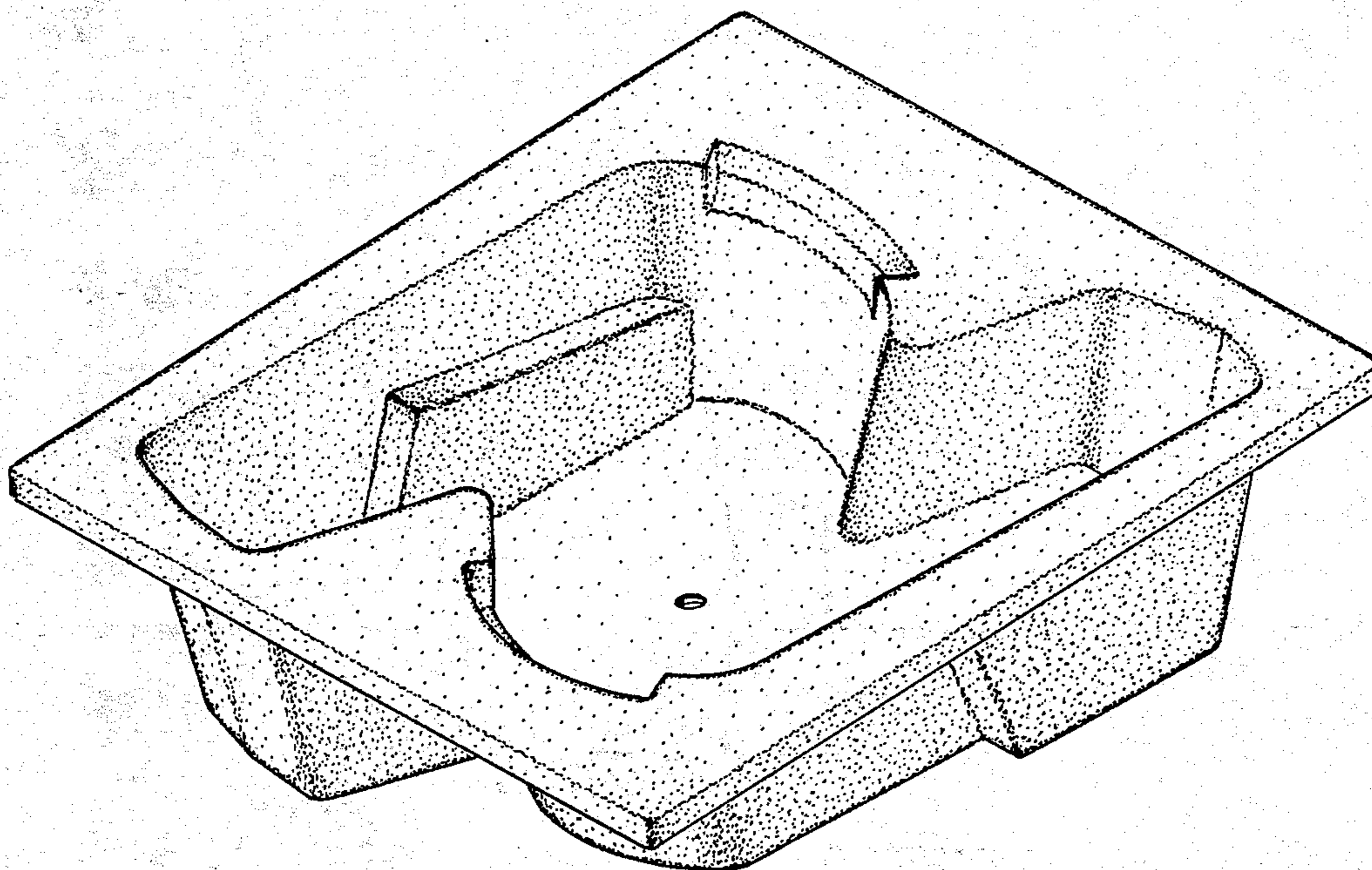
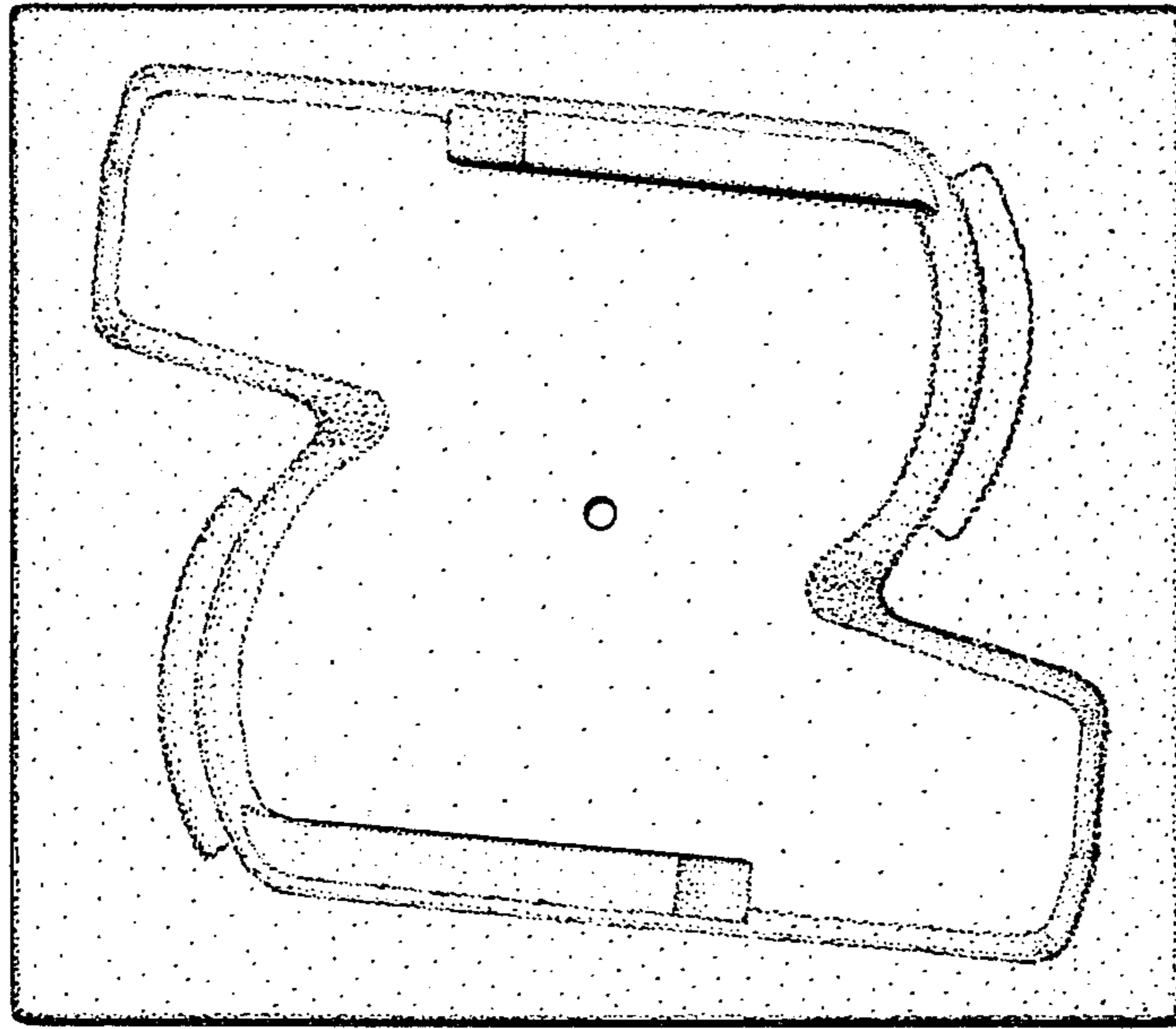


FIG. 1

4 →

5 ↑



5 ↑

4 →

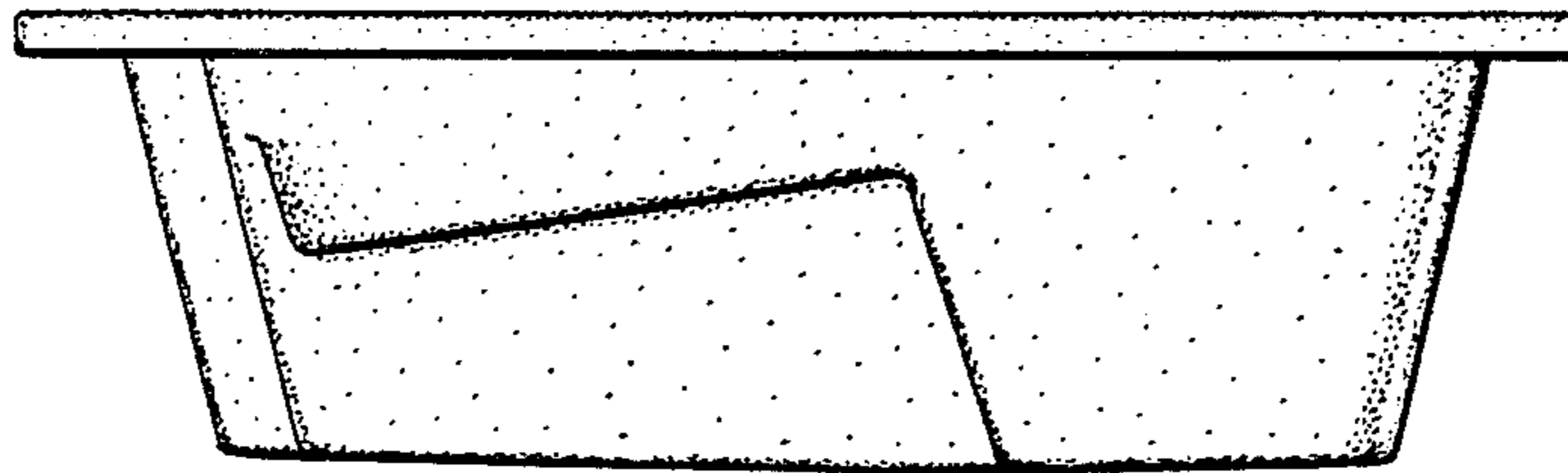


FIG. 2

FIG. 3

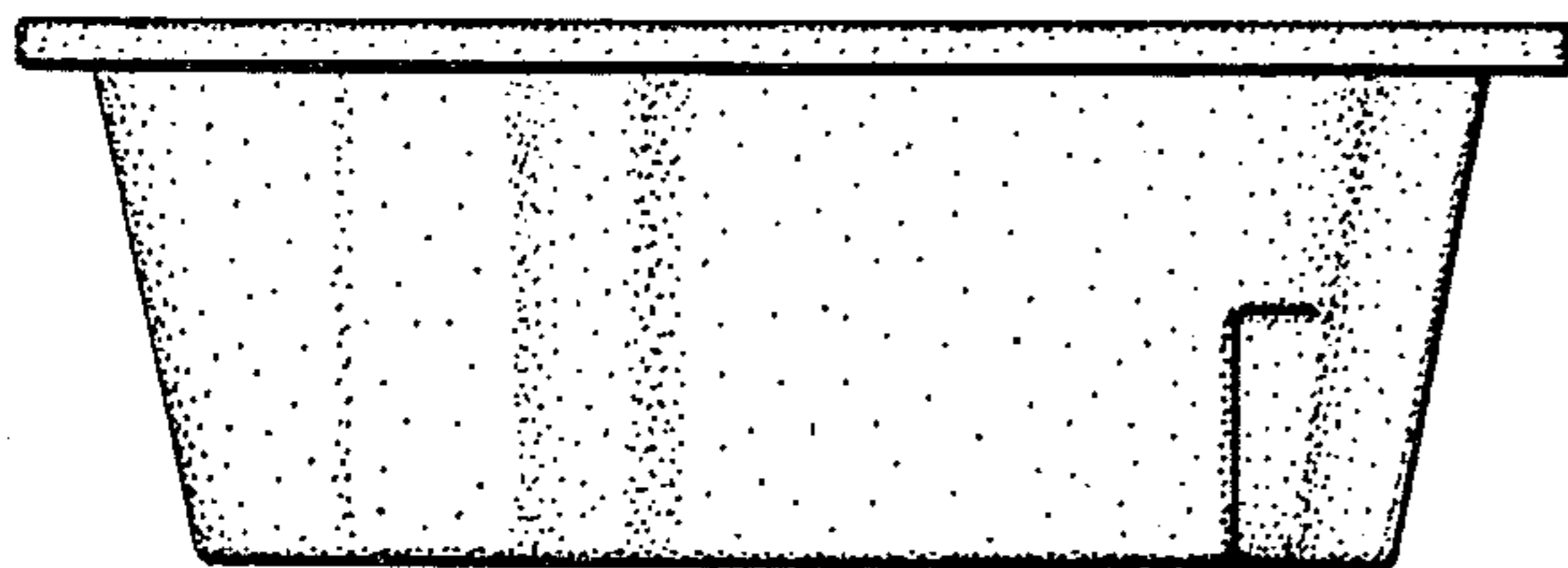


FIG. 4



FIG. 5

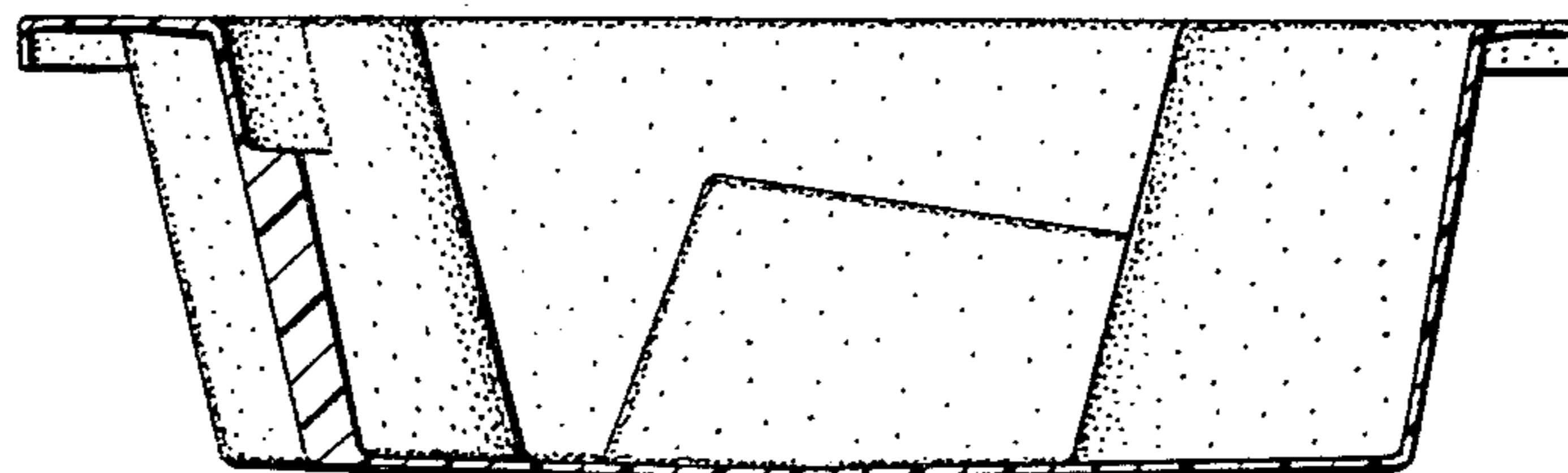


FIG. 6

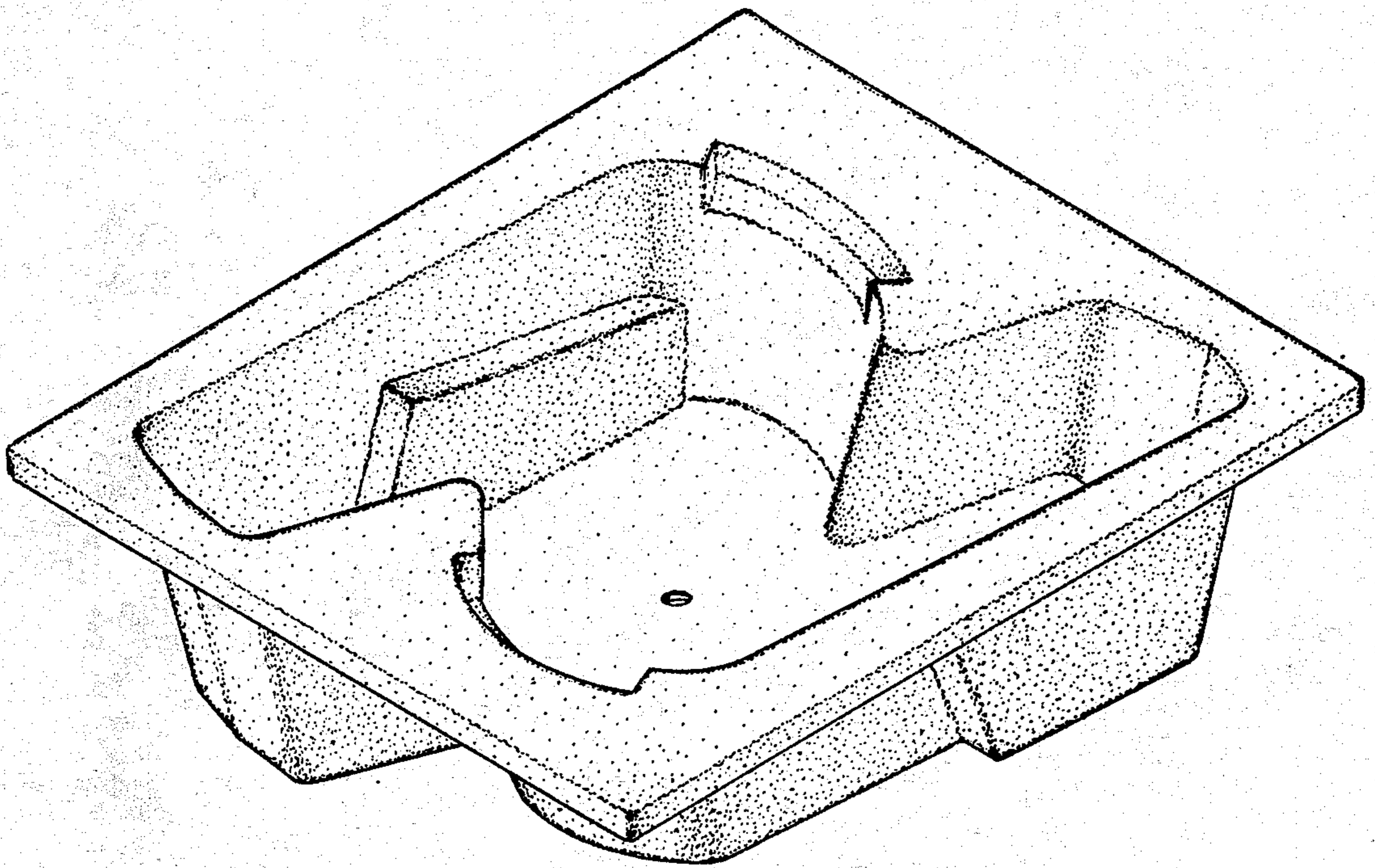


FIG. 7

