

[54] ROBOT MOUNTED SPRAY GUN

4,498,414 2/1985 Kiba et al. 901/43

[75] Inventors: James J. Gimple, Oregon; Charles T. Lasley, Toledo, both of Ohio

FOREIGN PATENT DOCUMENTS

2002142 2/1979 United Kingdom 901/43

[73] Assignee: Champion Spark Plug Company, Toledo, Ohio

Primary Examiner—Wallace R. Burke
Assistant Examiner—Brian N. Vinson
Attorney, Agent, or Firm—Emch, Schaffer, Schaub & Porcello Co.

[**] Term: 14 Years

[21] Appl. No.: 569,336

[57] CLAIM

[22] Filed: Jan. 9, 1984

The ornamental design for the spray gun for robot mounting, substantially as shown and described.

[52] U.S. Cl. D23/17

[58] Field of Search D23/17-18;
239/71, 154, 289-290, 318, 332, 337, 414, 428.5,
436, 525-528, 532, 569; 901/43

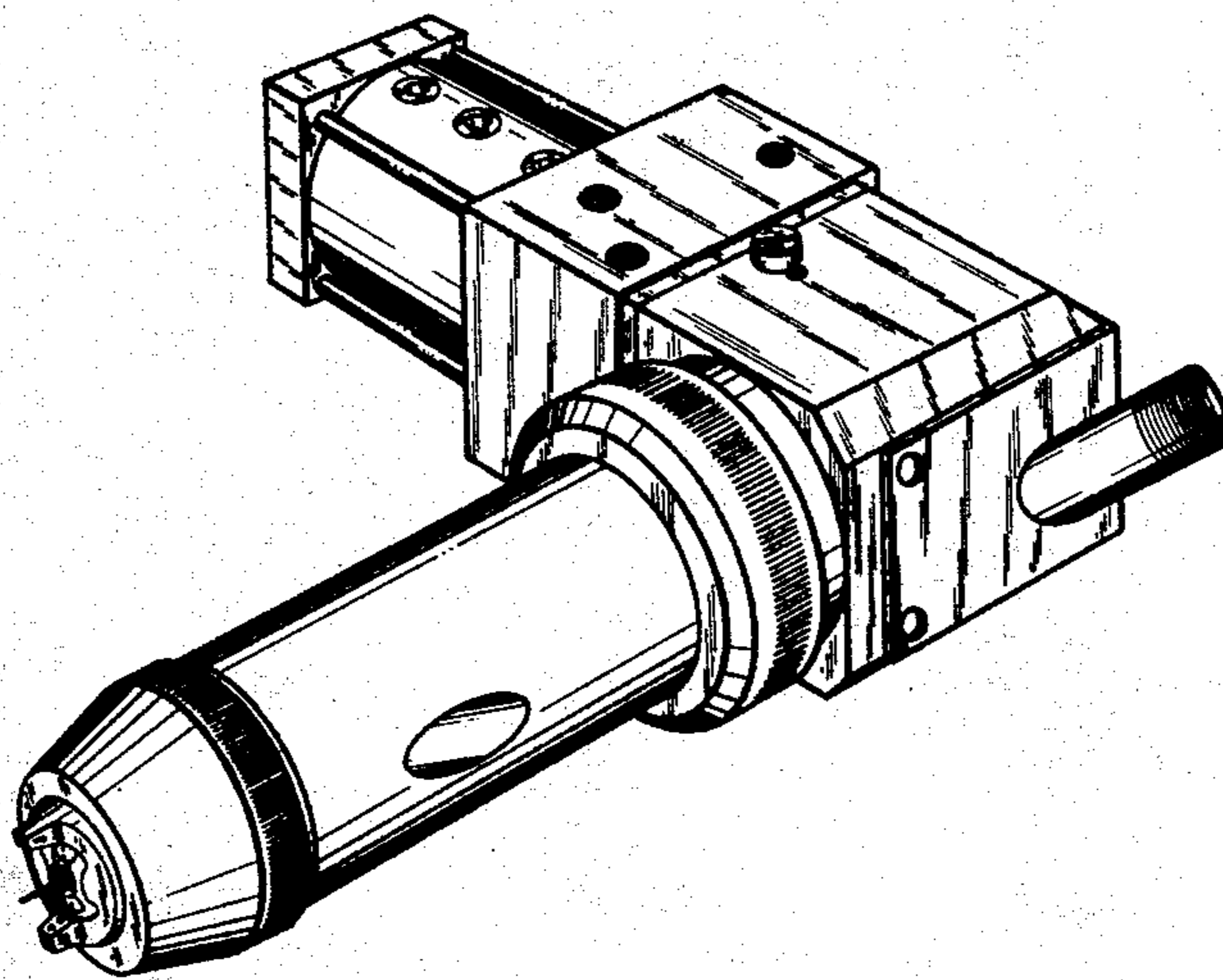
DESCRIPTION

[56] References Cited

U.S. PATENT DOCUMENTS

- D. 256,720 9/1980 Watson D23/35
- 3,561,398 2/1971 Rose et al. 901/43
- 3,709,190 1/1973 Von Gottberg et al. 901/43
- 3,807,641 4/1974 Albright 239/414

FIG. 1 is a perspective view of the spray gun for robot mounting showing our new design;
FIG. 2 is a front elevation thereof;
FIG. 3 is a rear elevation thereof;
FIG. 4 is a right side elevation thereof;
FIG. 5 is a left side elevation thereof;
FIG. 6 is a top plan view thereof;
FIG. 7 is a bottom plan view thereof.



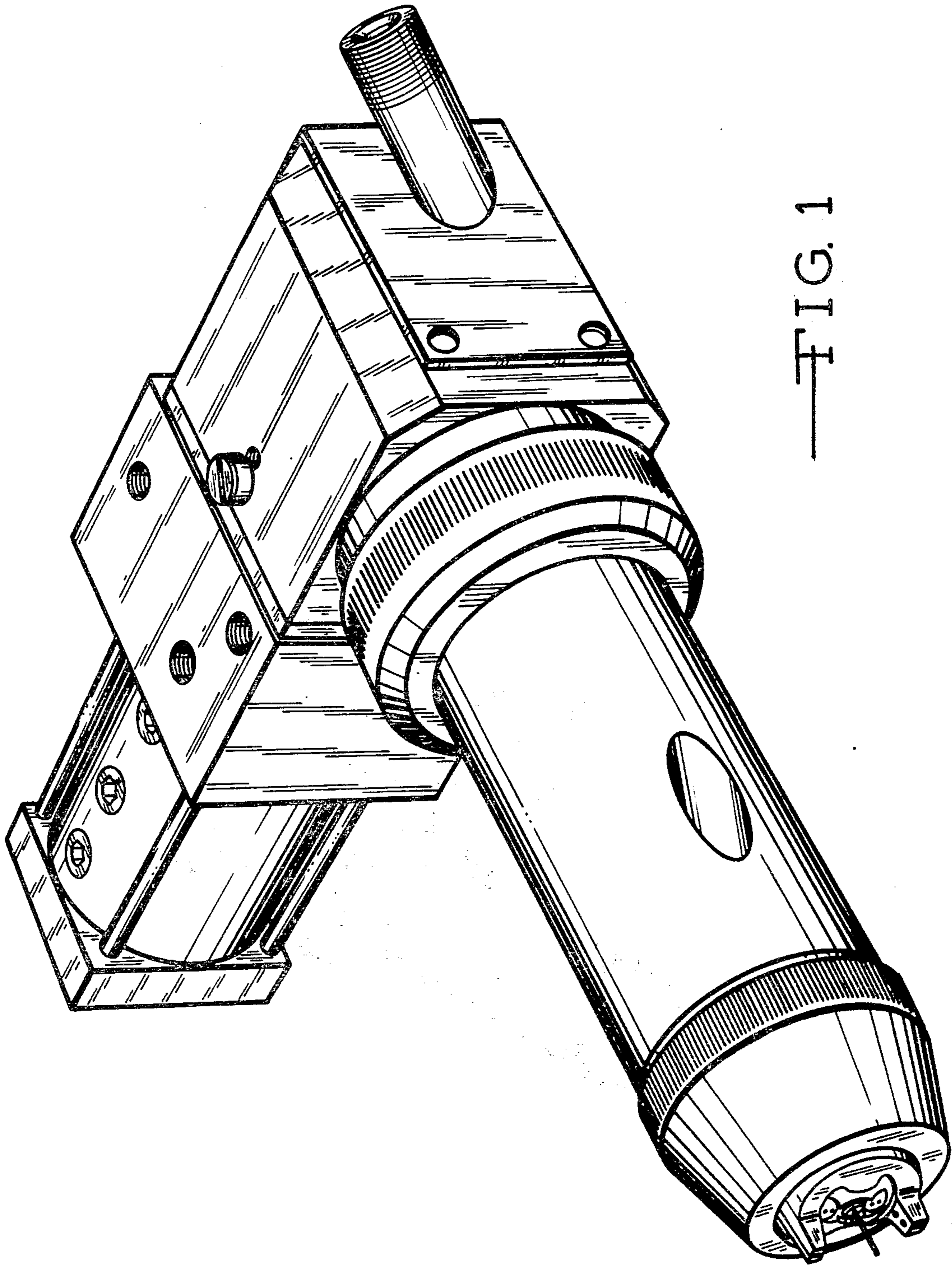


FIG. 1

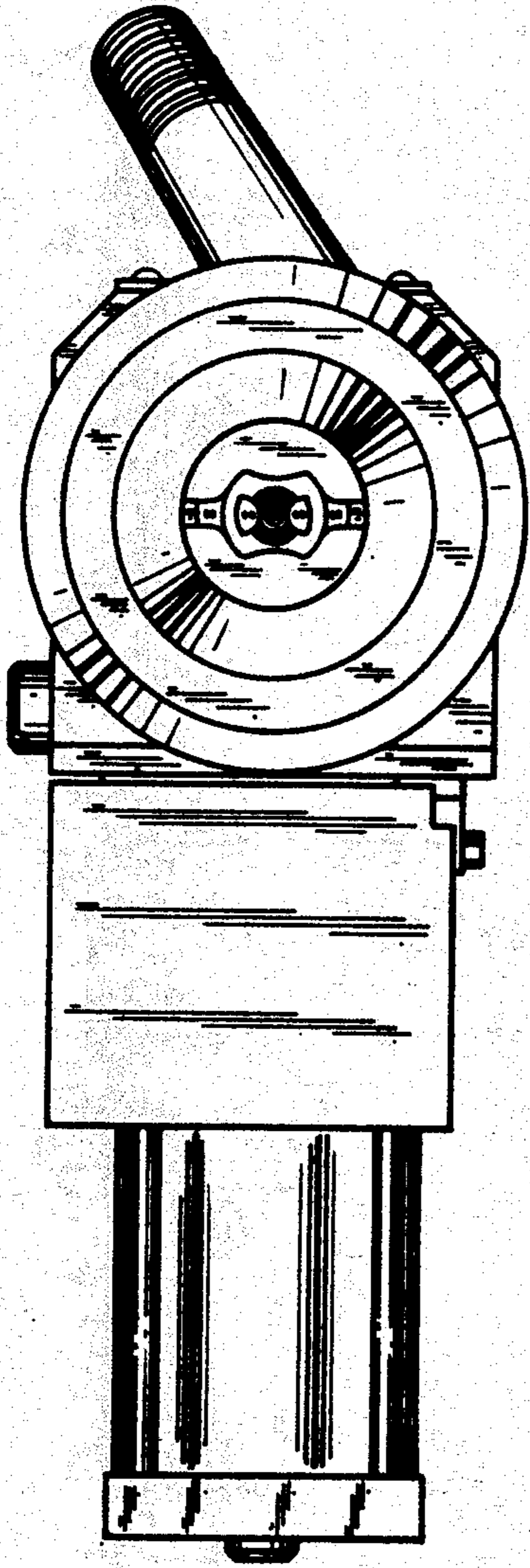


FIG. 2

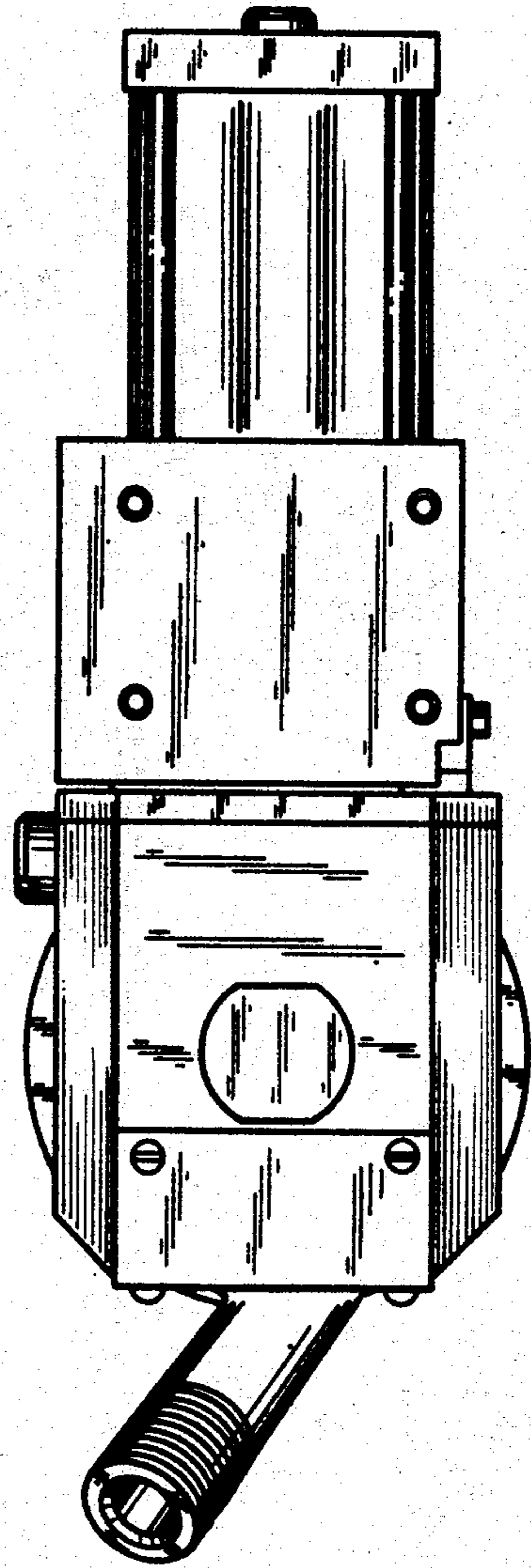
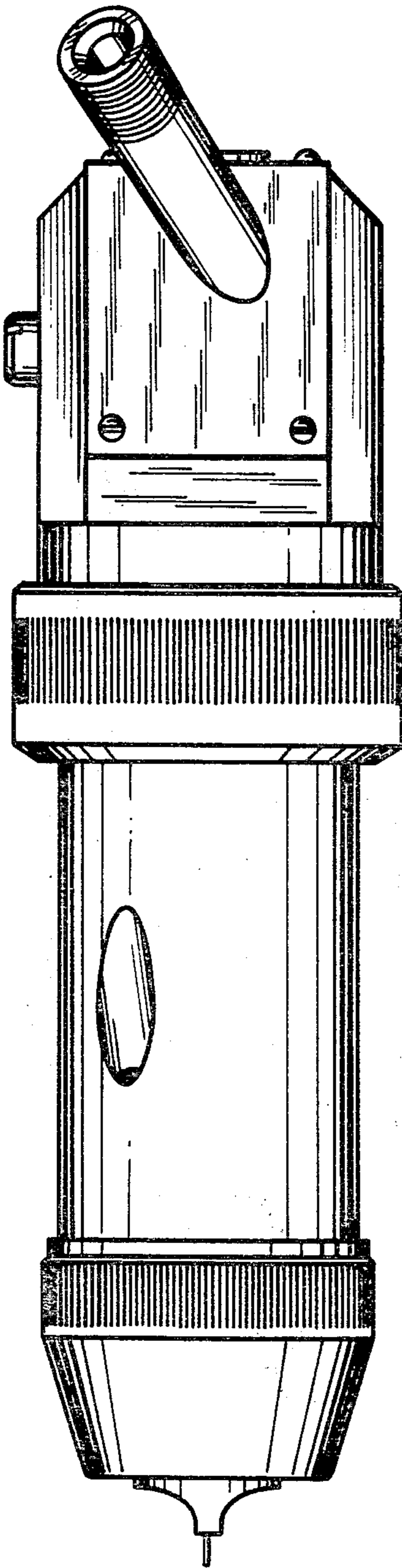
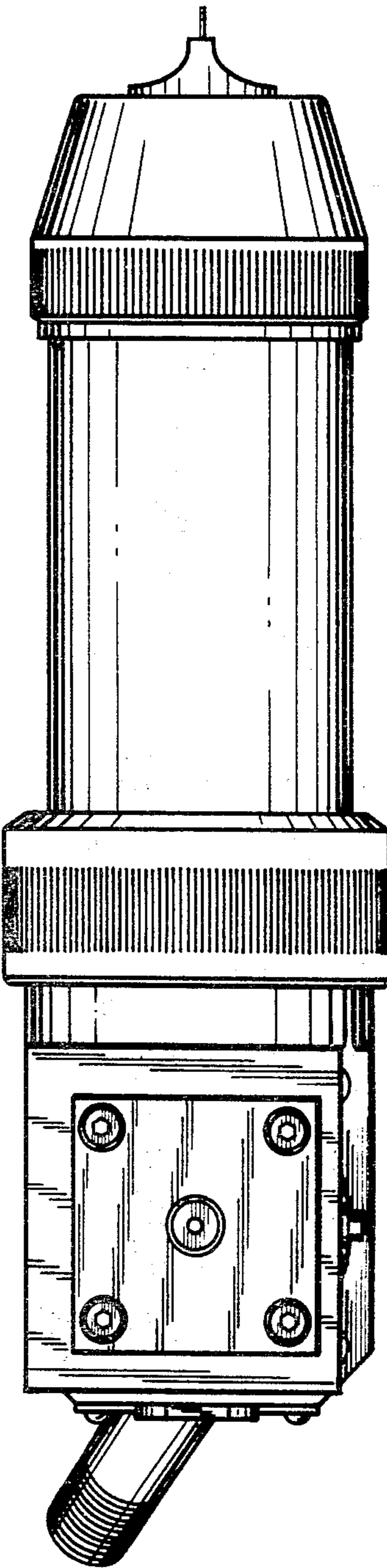


FIG. 3



—FIG. 4



—FIG. 5

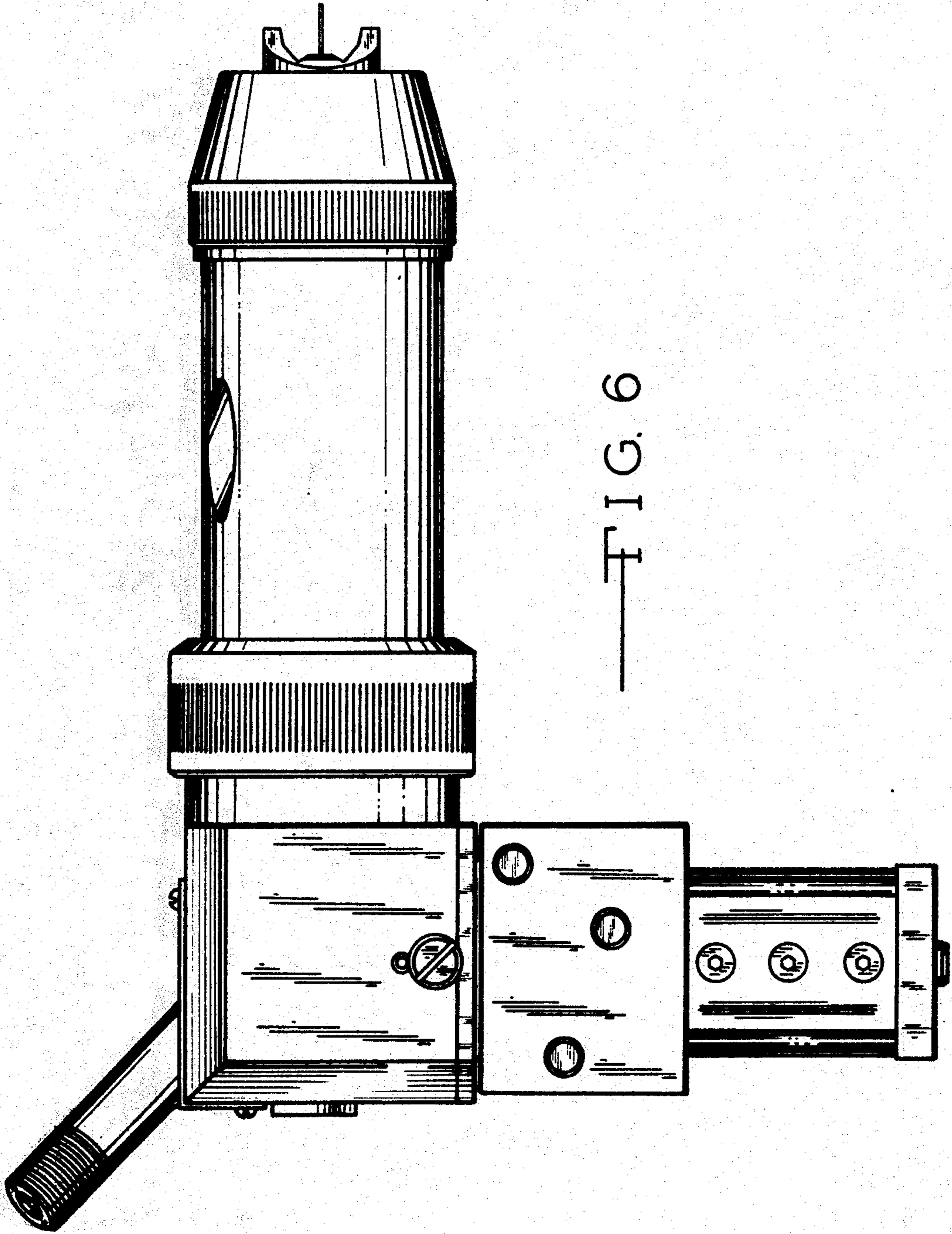


FIG. 6

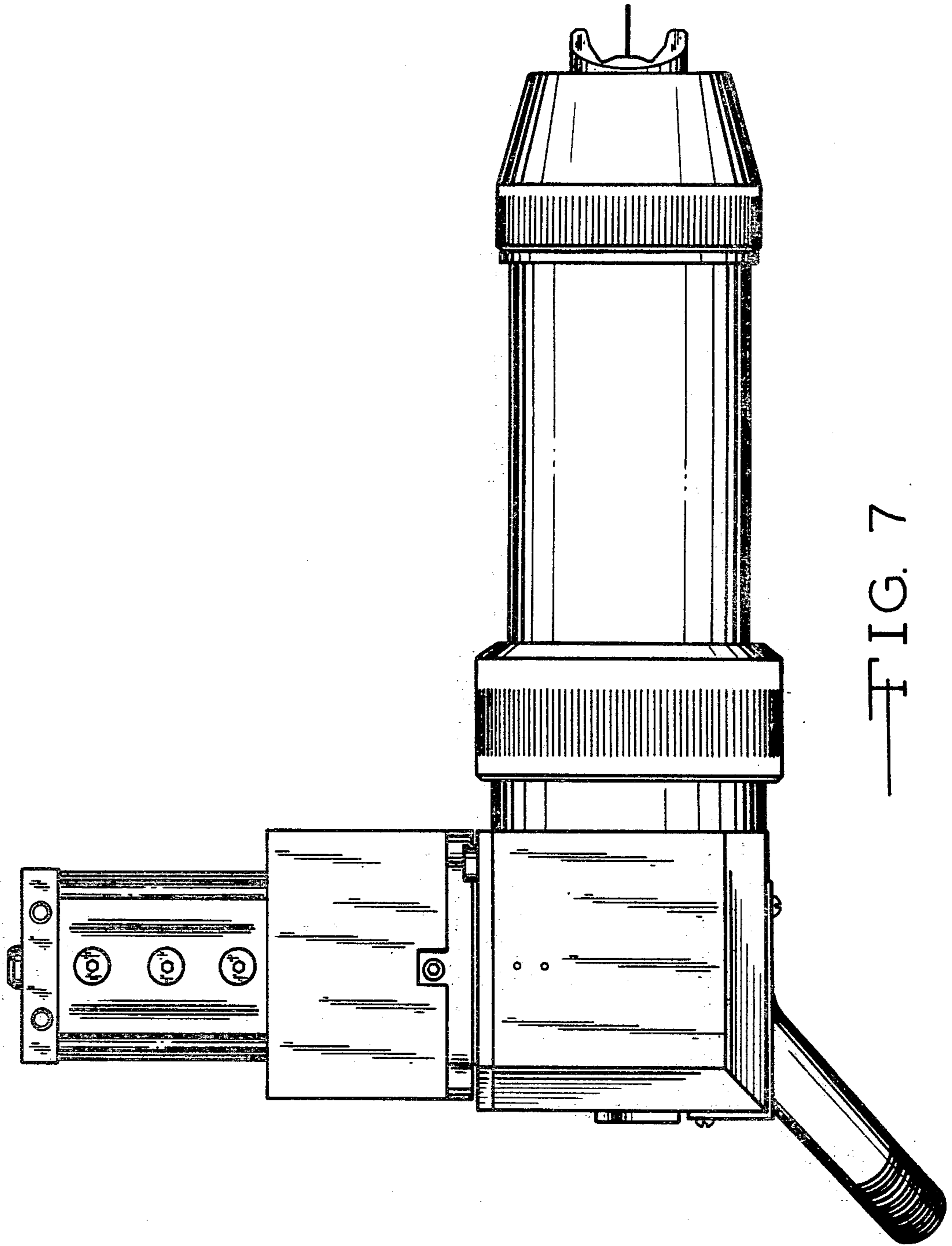


FIG. 7