

[54] **TOY CONSTRUCTION FERRIS WHEEL**
[75] **Inventor: Philip M. Kushner, Greve Strand, Denmark**
[73] **Assignee: Interlego A.G., Baar, Switzerland**
[**] **Term: 14 Years**
[21] **Appl. No.: 676,655**
[22] **Filed: Nov. 30, 1984**
[52] **U.S. Cl. D21/248; D21/108**
[58] **Field of Search D21/108, 248, 249; 446/85, 93, 94, 111, 113, 118, 120, 121, 125, 103, 122, 124**

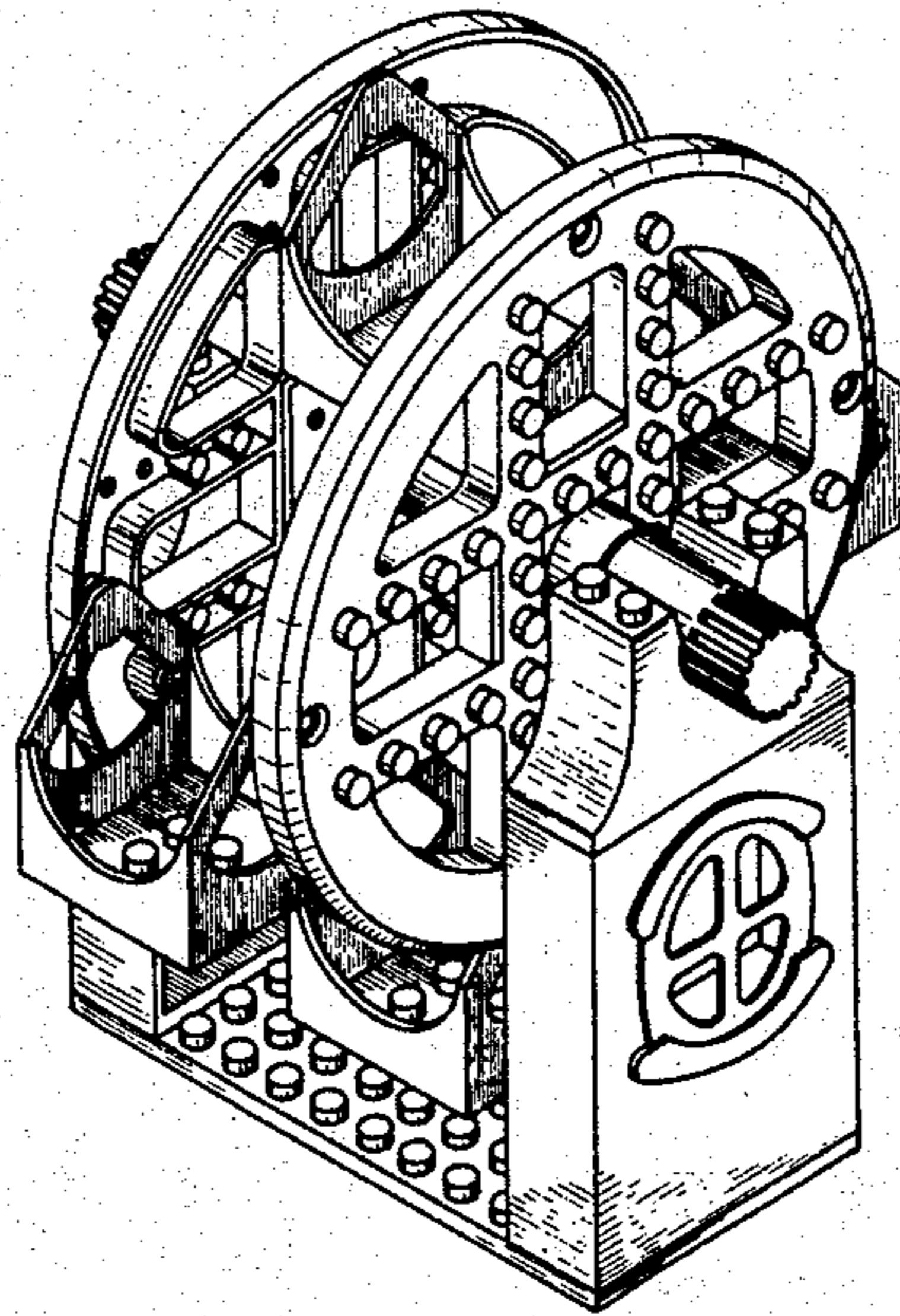
[56] **References Cited**
U.S. PATENT DOCUMENTS
D. 199,744 12/1964 McDonald D21/248
1,260,664 3/1918 Gregory D21/124

3,461,601 8/1969 Kristiansen 446/103
FOREIGN PATENT DOCUMENTS
2100909 6/1981 United Kingdom 446/124

Primary Examiner—Charles A. Rademaker
Attorney, Agent, or Firm—Kane, Dalsimer, Kane, Sullivan and Kurucz

[57] **CLAIM**
The ornamental design for a toy construction ferris wheel, as shown and described.

DESCRIPTION
FIG. 1 is a top perspective view of a toy construction ferris wheel showing my new design; FIG. 2 is a front elevational view thereof; FIG. 3 is a side elevational view thereof, the side opposite being substantially a mirror image; FIG. 4 is a top plan view thereof; and, FIG. 5 is a bottom plan view thereof.



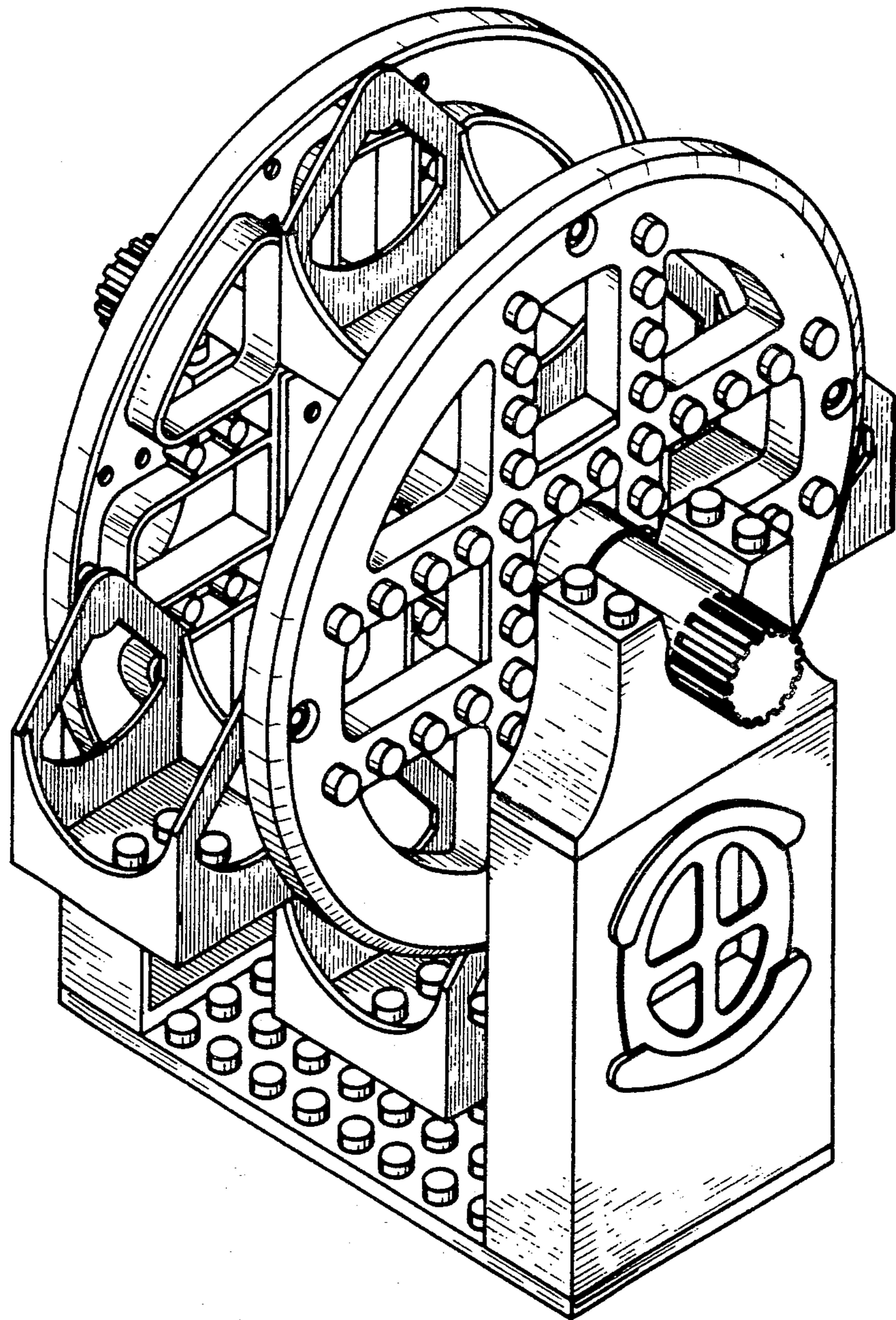


FIG. 1

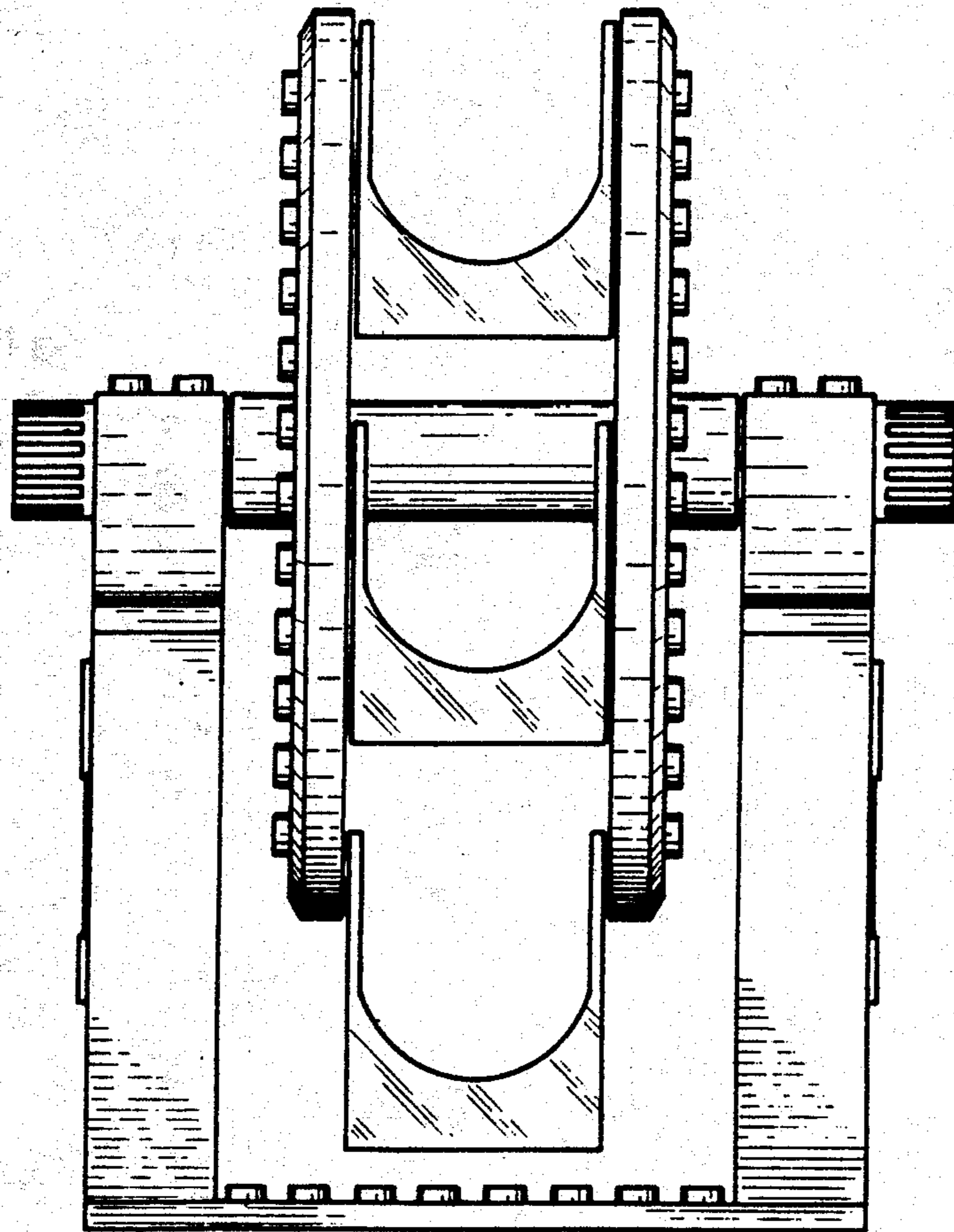


FIG. 2

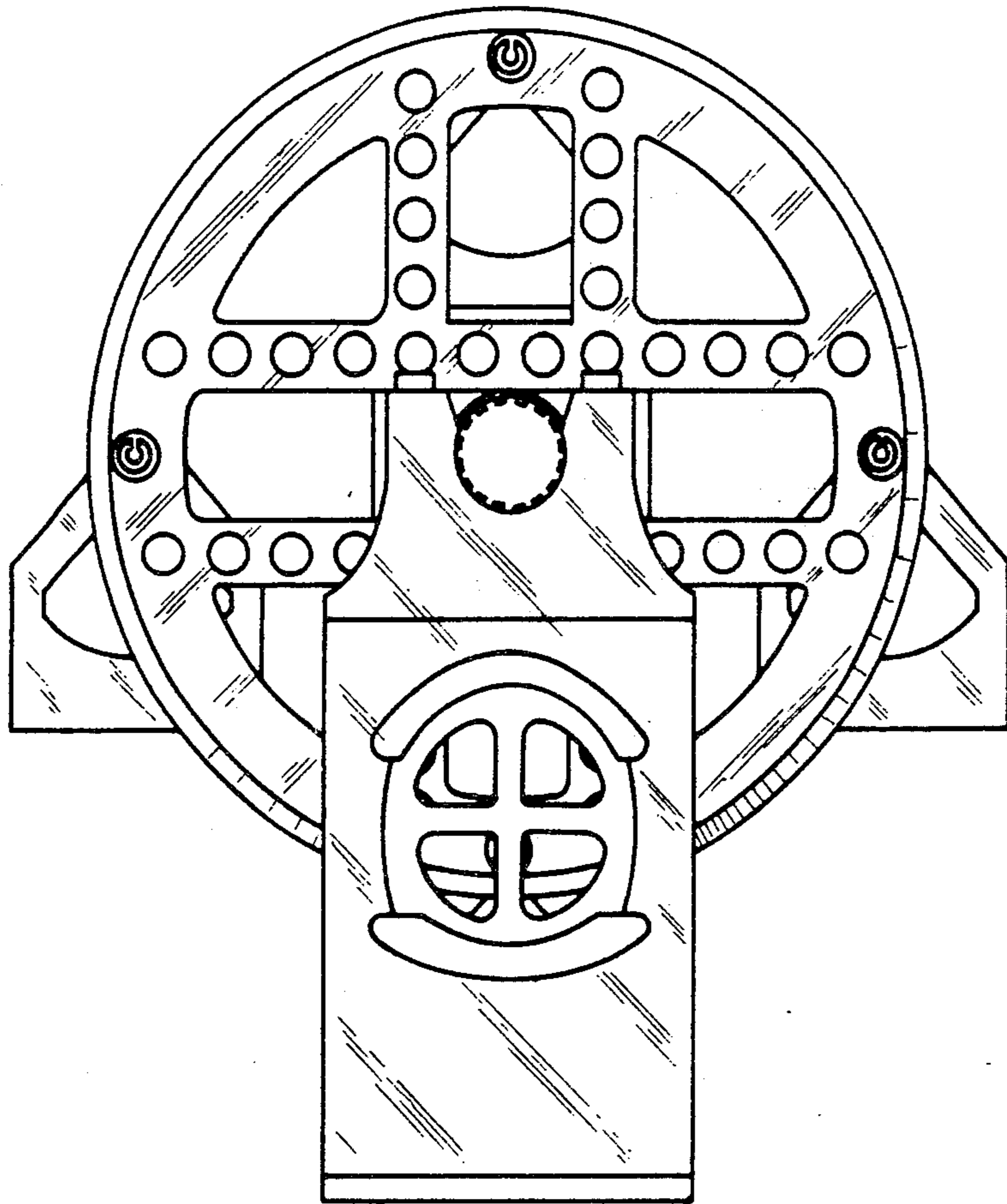


FIG. 3

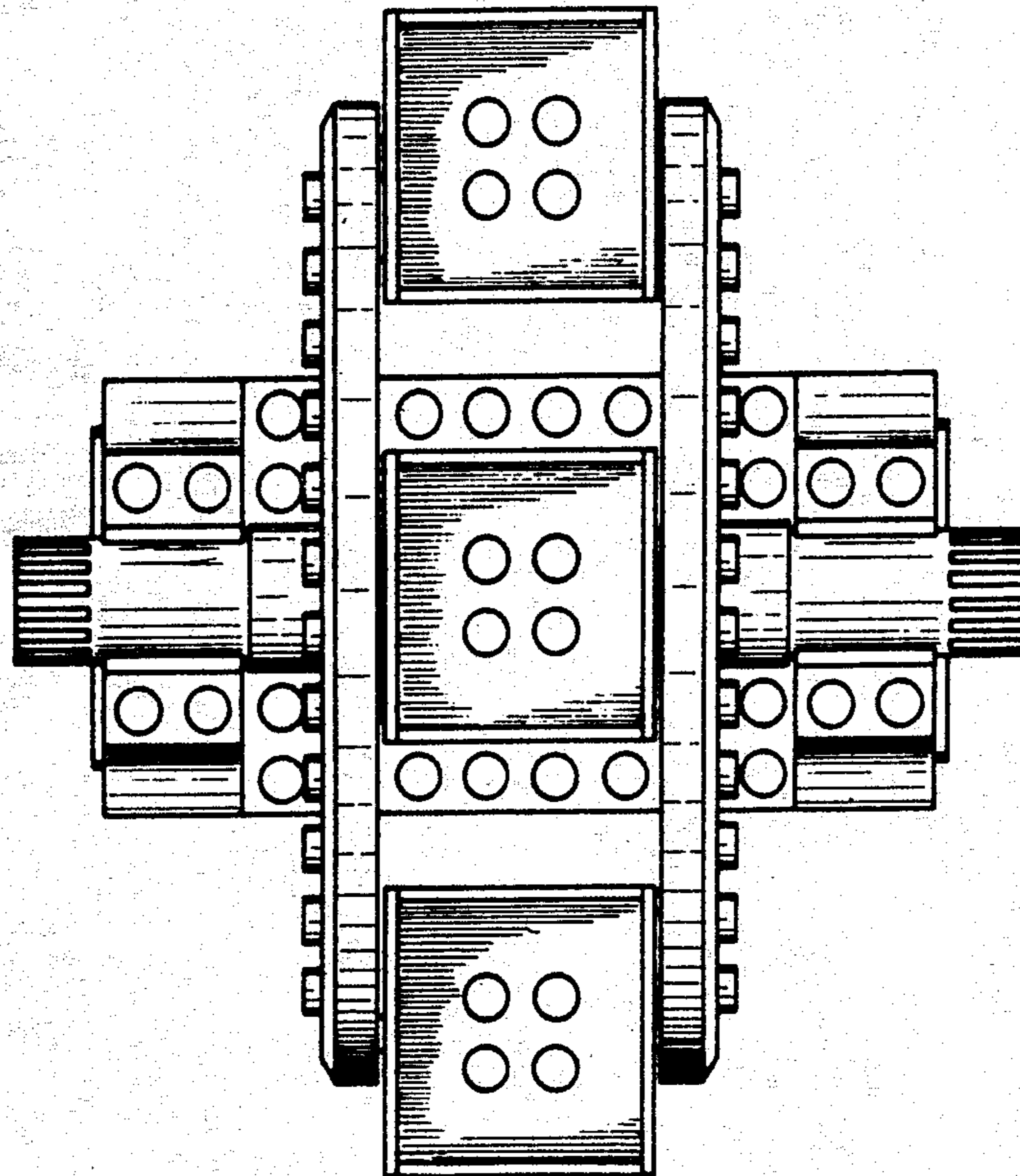


FIG. 4

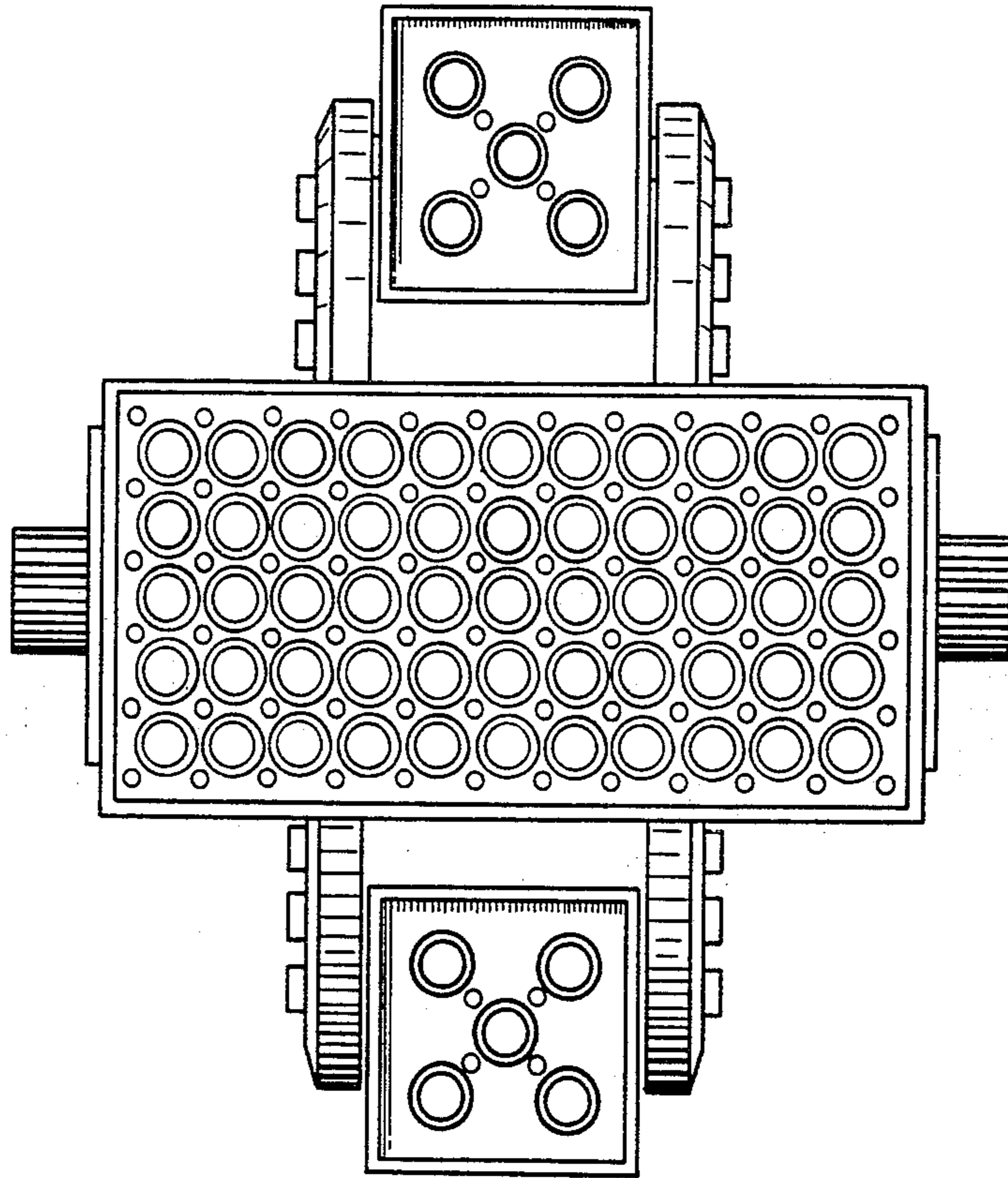


FIG. 5