

United States Patent [19]

LaSpesa

[11] Patent Number: **Des. 285,576**

[45] Date of Patent: **** Sep. 9, 1986**

[54] **PRINTER RIBBON CARTRIDGE**

4,407,593 10/1983 Haftmann 400/208
4,408,912 10/1983 Yonkers 400/208

[75] Inventor: **Richard E. LaSpesa, Chicago, Ill.**

[73] Assignee: **AT&T Teletype Corporation, Skokie, Ill.**

[**] Term: **14 Years**

[21] Appl. No.: **645,368**

[22] Filed: **Aug. 29, 1984**

[52] U.S. Cl. **D18/22**

[58] Field of Search D18/1, 2, 11, 12, 22;
D14/11, 109, 114; 400/144.2, 144.3, 175, 196,
196.1, 207, 208, 208.1; 242/55.19 A, 197-200

[56] **References Cited**

U.S. PATENT DOCUMENTS

D. 267,566 1/1983 Hoffman D18/12
4,383,775 5/1983 Tramell et al. 400/196.1 X

FOREIGN PATENT DOCUMENTS

111686 9/1981 Japan 400/196.1
2029327 3/1980 United Kingdom 400/196.1

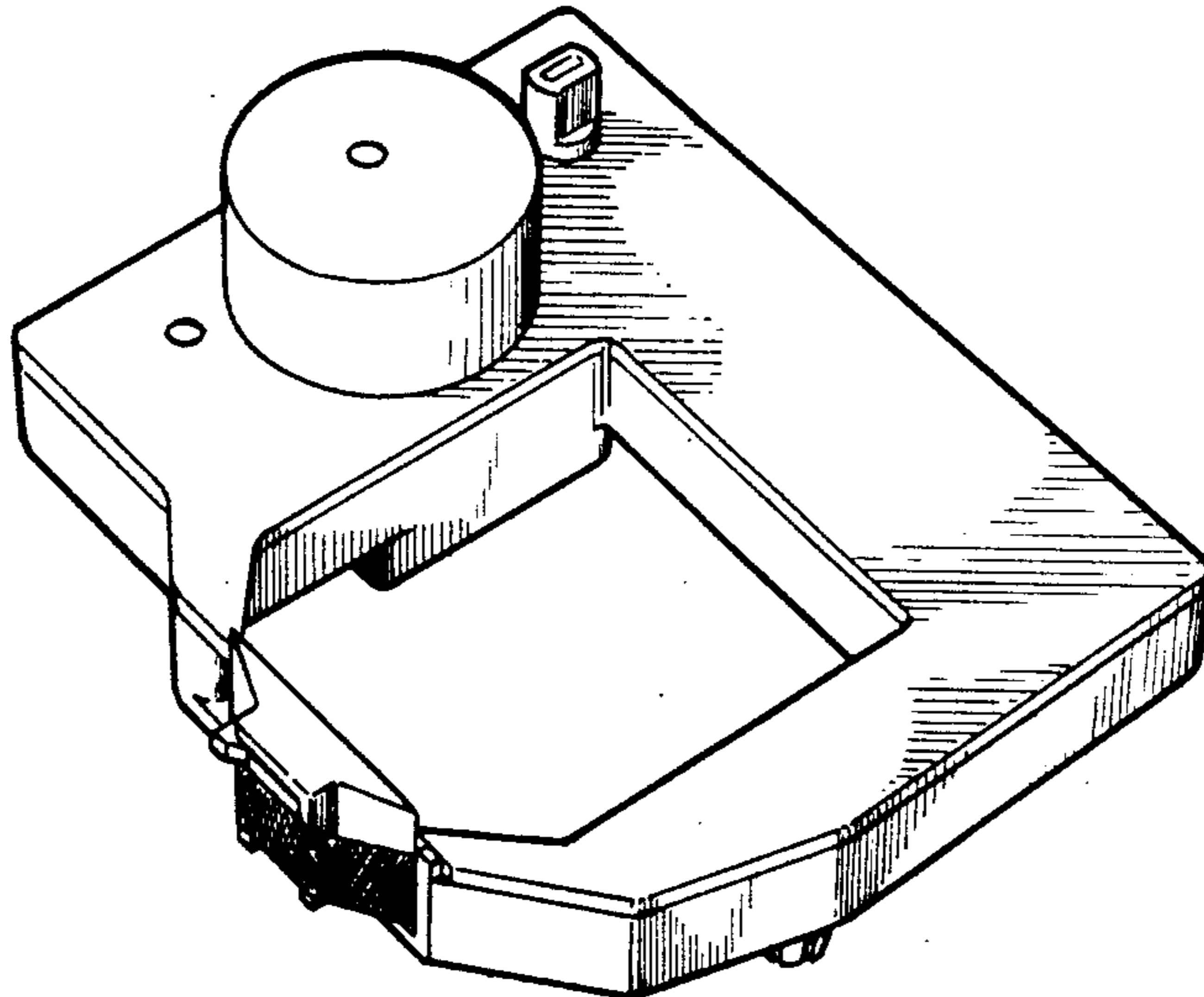
Primary Examiner—Louis S. Zarfes
Attorney, Agent, or Firm—A. A. Tirva

[57] **CLAIM**

The ornamental design for a printer ribbon cartridge, substantially as shown and described.

DESCRIPTION

FIG. 1 is a front, top and right side perspective view of a printer ribbon cartridge showing my new design; FIG. 2 is a front elevational view thereof; FIG. 3 is a left side elevational view thereof; FIG. 4 is a bottom plan view thereof; and FIG. 5 is a rear elevational view thereof.



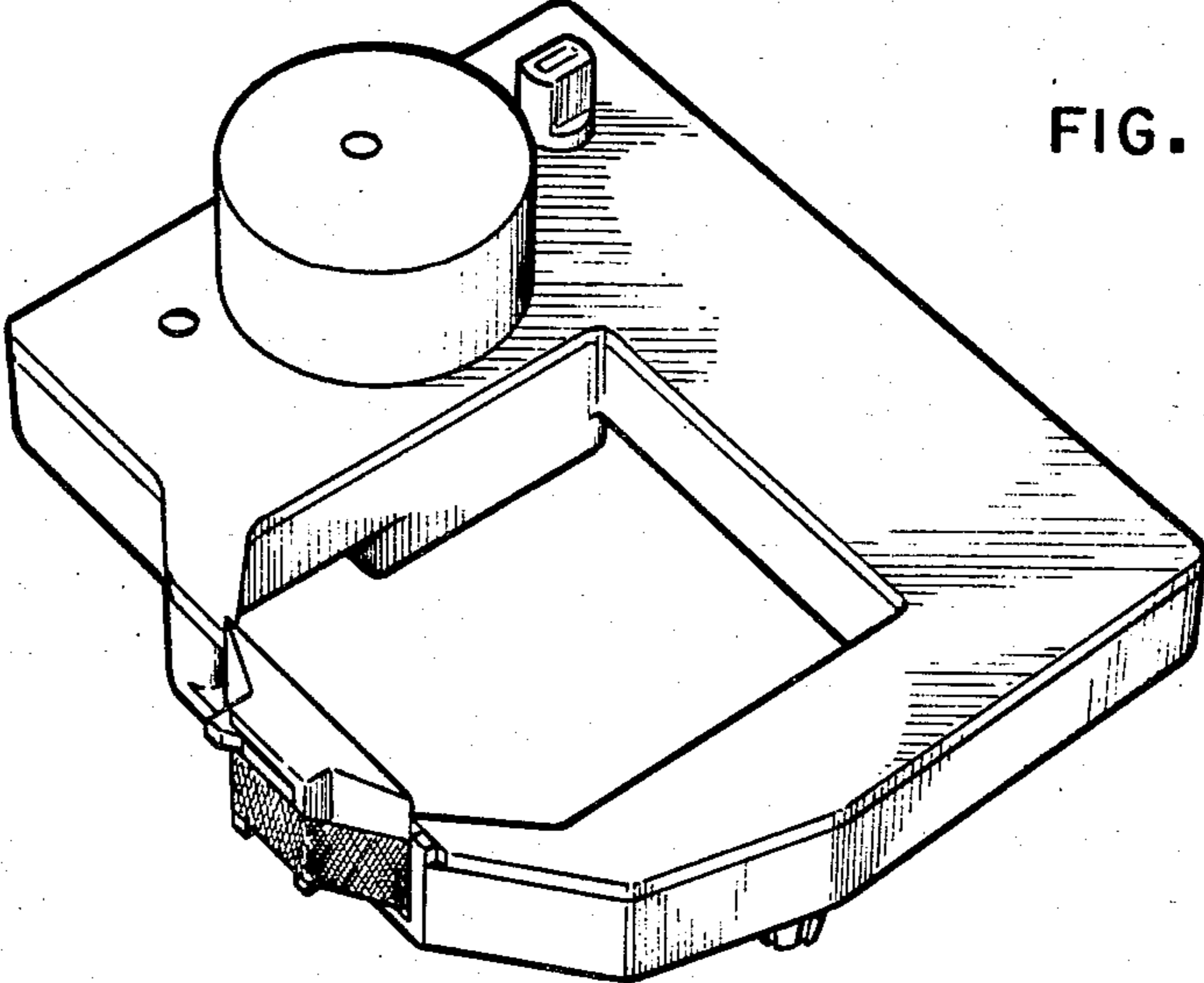


FIG. 1

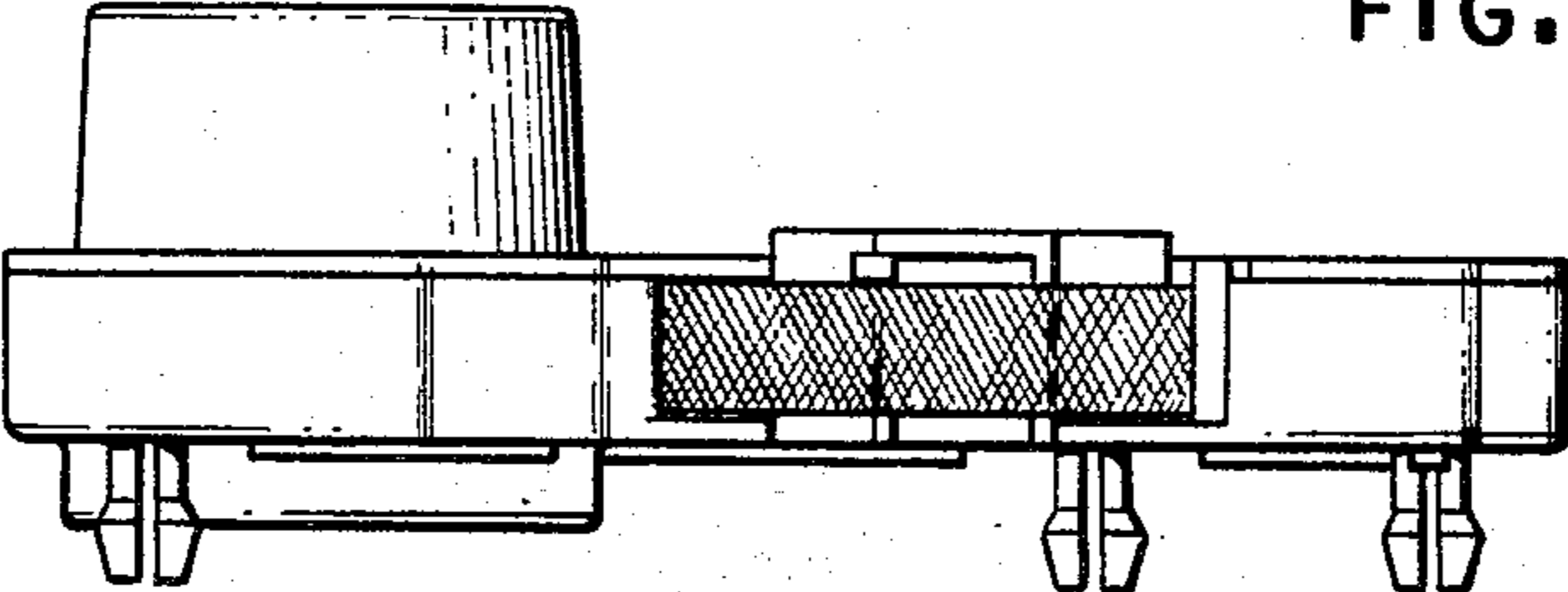


FIG. 2

FIG. 3

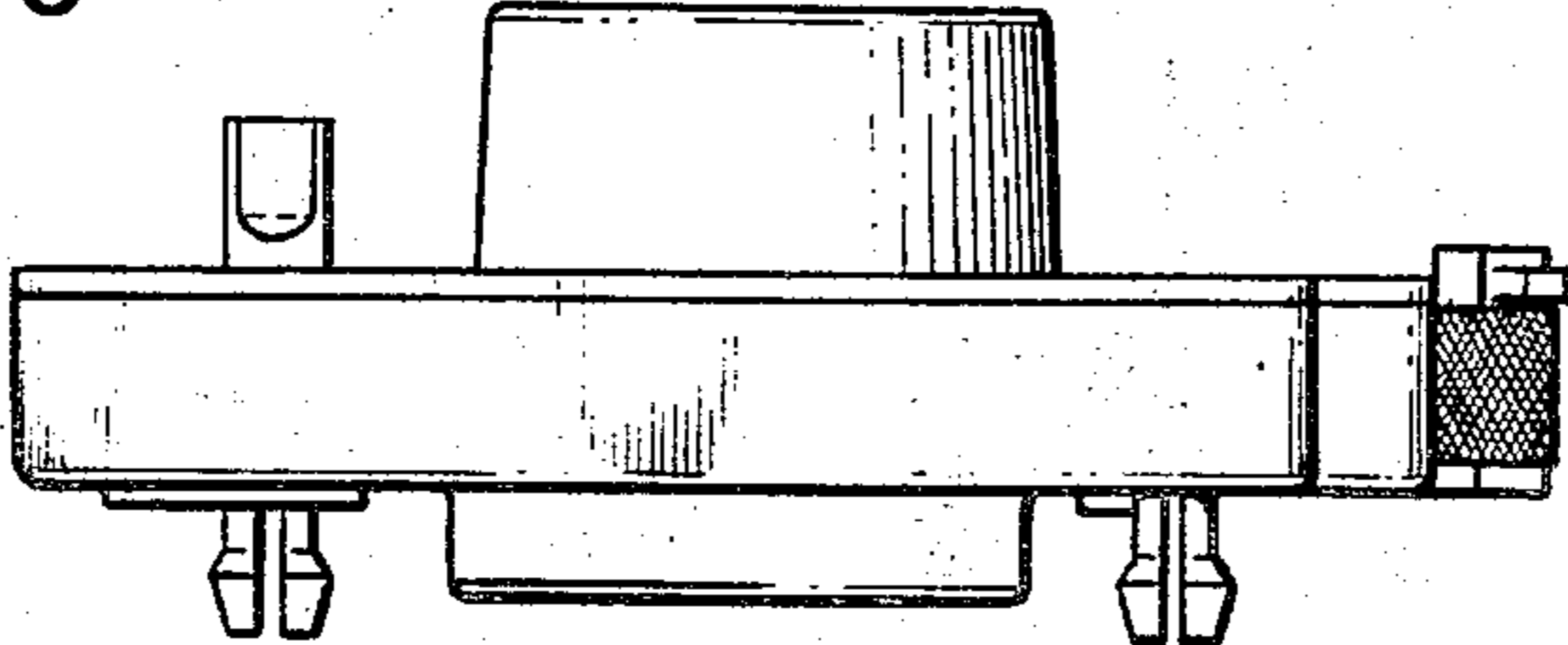


FIG. 4

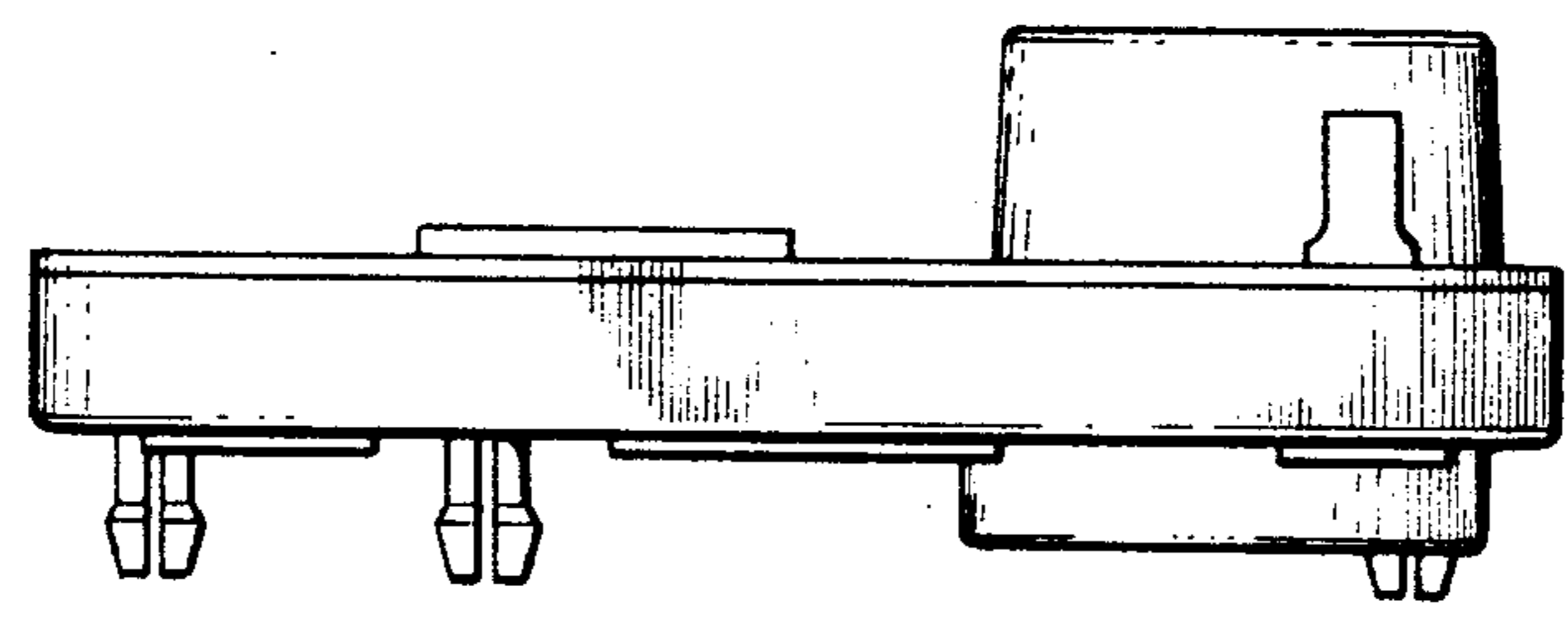
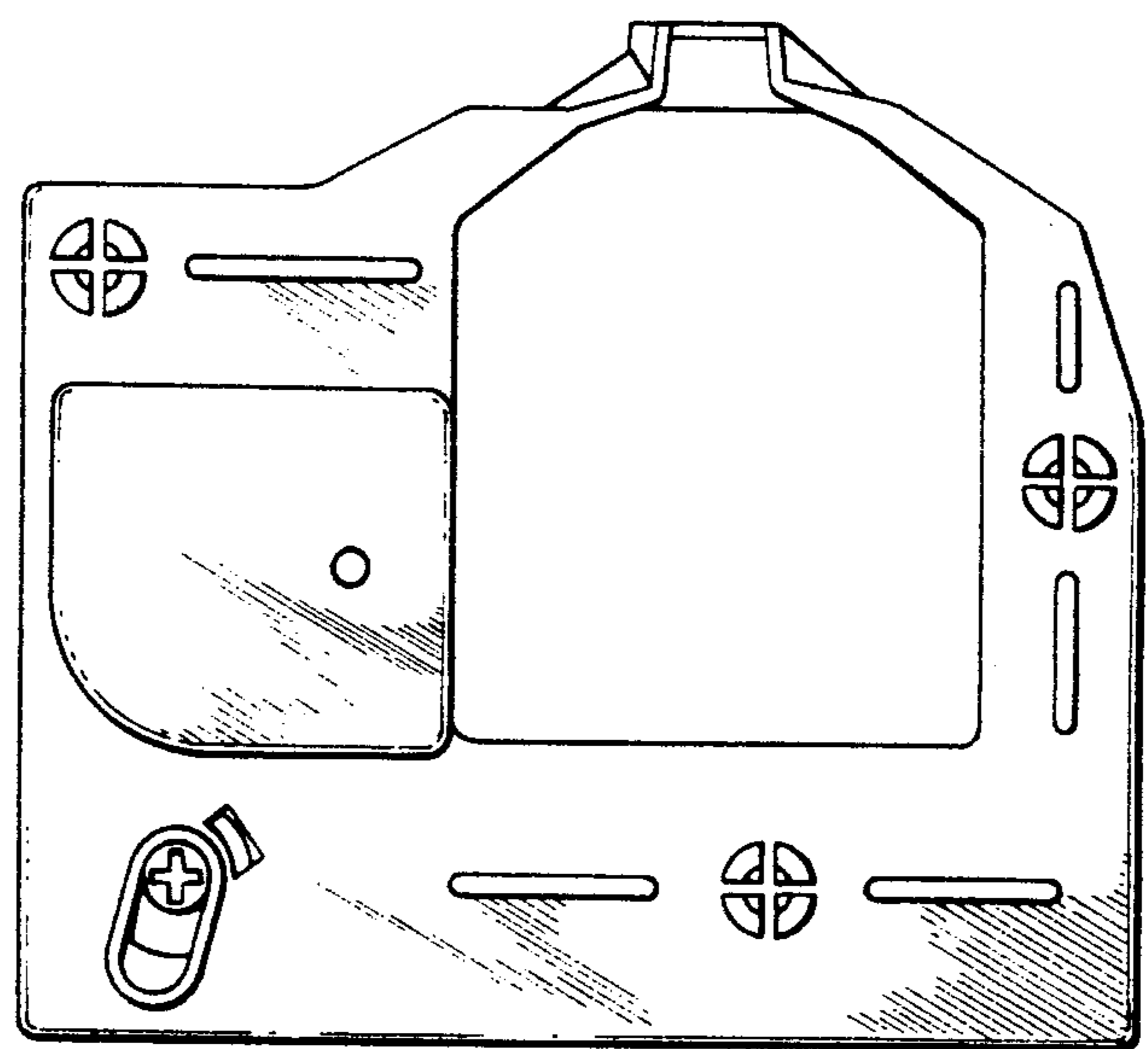


FIG. 5