

[54] HOUSING FOR COMPUTER TERMINAL MEMORY MODULE

[75] Inventors: Christopher J. Reitz, Davie, Fla.; Jeffrey C. Barrus, Houston, Tex.

[73] Assignee: Motorola, Inc., Schaumburg, Ill.

[**] Term: 14 Years

[21] Appl. No.: 589,292

[22] Filed: Mar. 14, 1984

[52] U.S. Cl. D14/114; D14/24; D13/40

[58] Field of Search D14/100-117; D13/40, 41, 24; 361/331, 380, 390, 391, 394, 395, 399; 174/52 R

[56] References Cited

U.S. PATENT DOCUMENTS

D. 195,171 5/1963 Keller D13/24

D. 205,509 8/1966 Reynolds D13/24
D. 223,098 3/1972 Catalano et al. D14/11
D. 228,789 10/1973 Koni D14/11
D. 257,345 10/1980 Levy D14/11
3,372,310 3/1968 Kantor 361/392

Primary Examiner—Susan J. Lucas
Attorney, Agent, or Firm—Rolland R. Hackbart

[57] CLAIM

The ornamental design for a housing for a computer terminal memory module or similar article, substantially as shown and described.

DESCRIPTION

FIG. 1 is a top, front, left side perspective view of a housing for a computer terminal memory module or similar article showing our new design; FIG. 2 is a right side elevational view thereof; FIG. 3 is a rear elevational view thereof; and FIG. 4 is a bottom plan view thereof; FIG. 5 is a top plan view thereof.

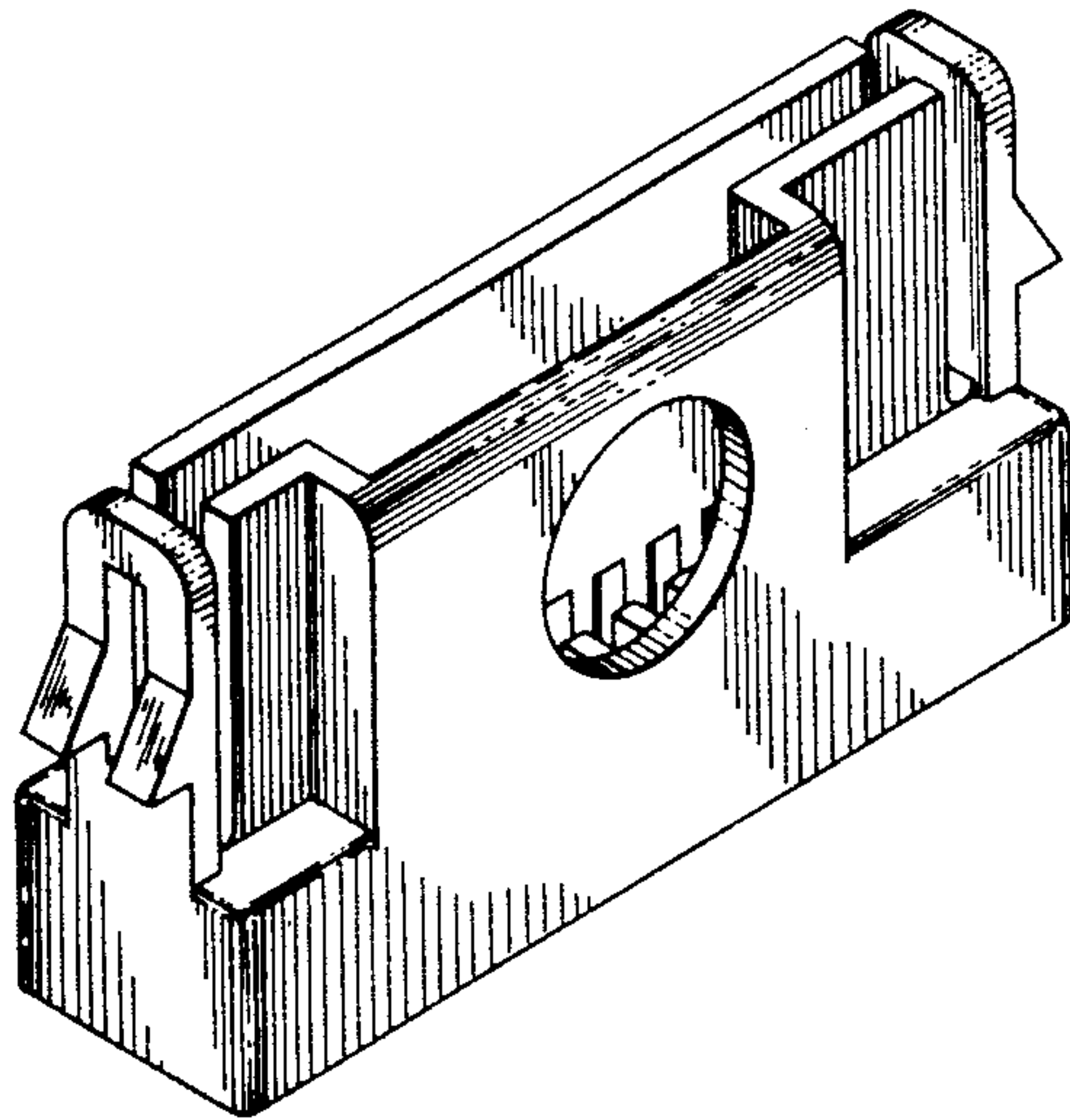


FIG. 1

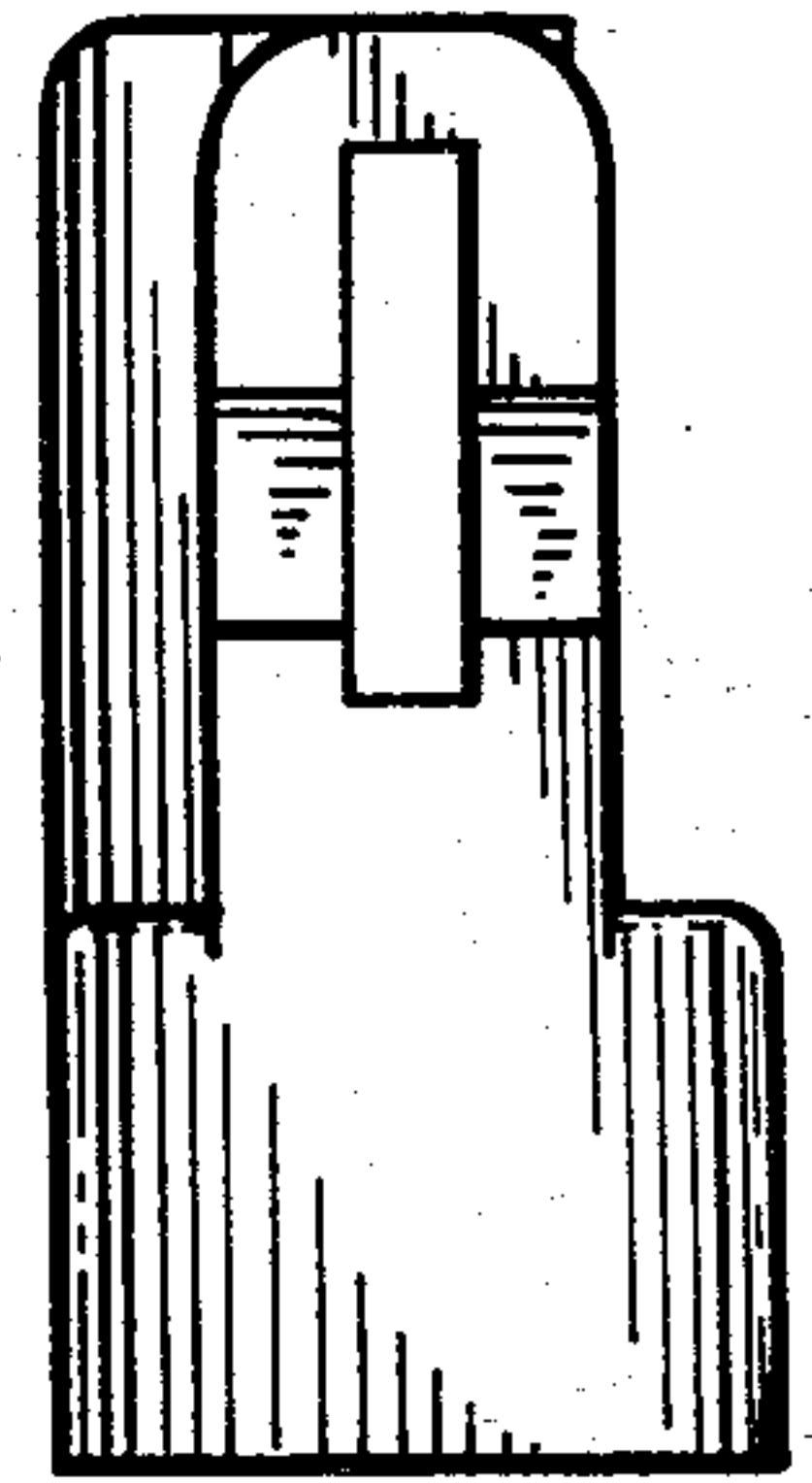
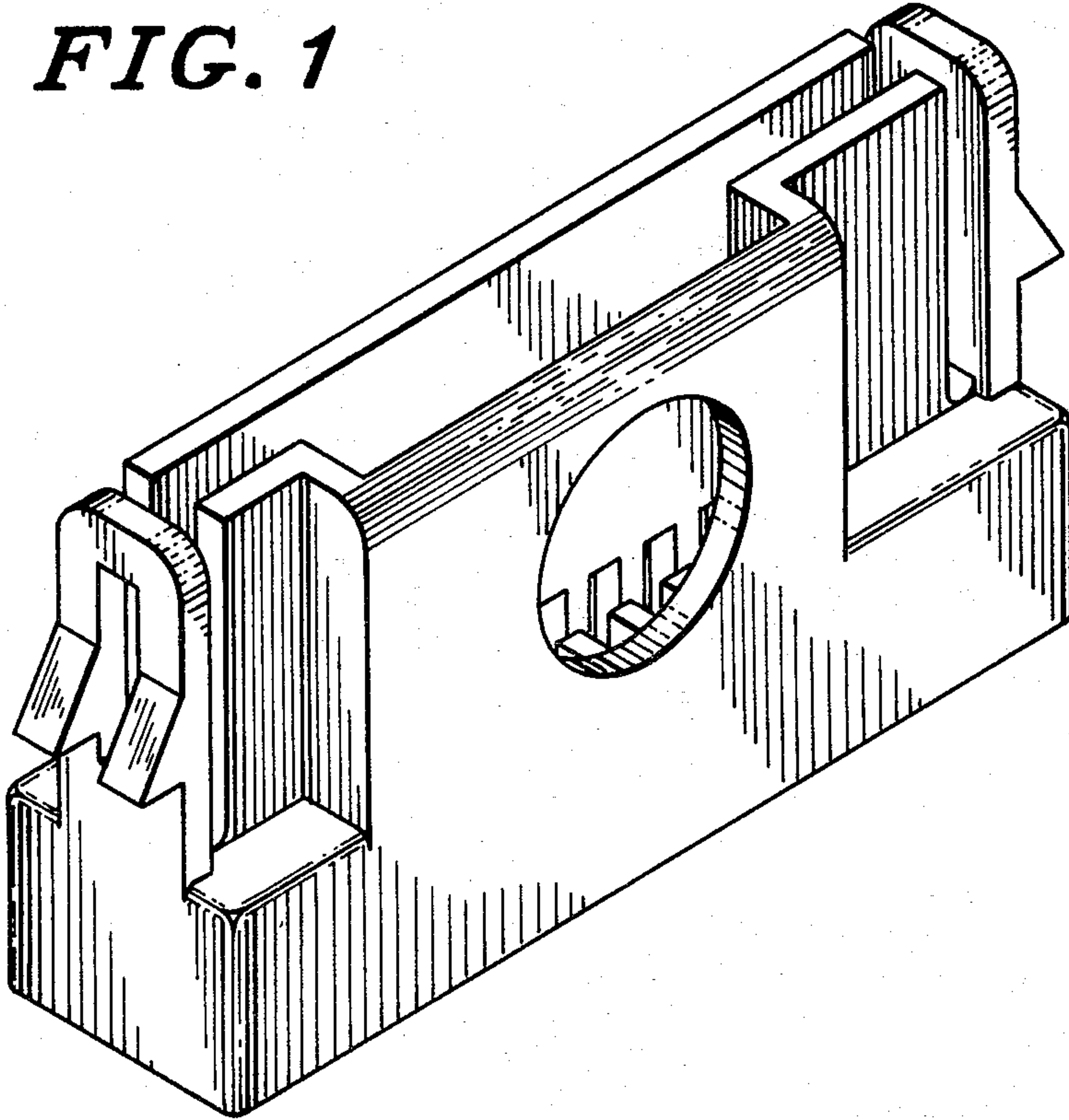


FIG. 2

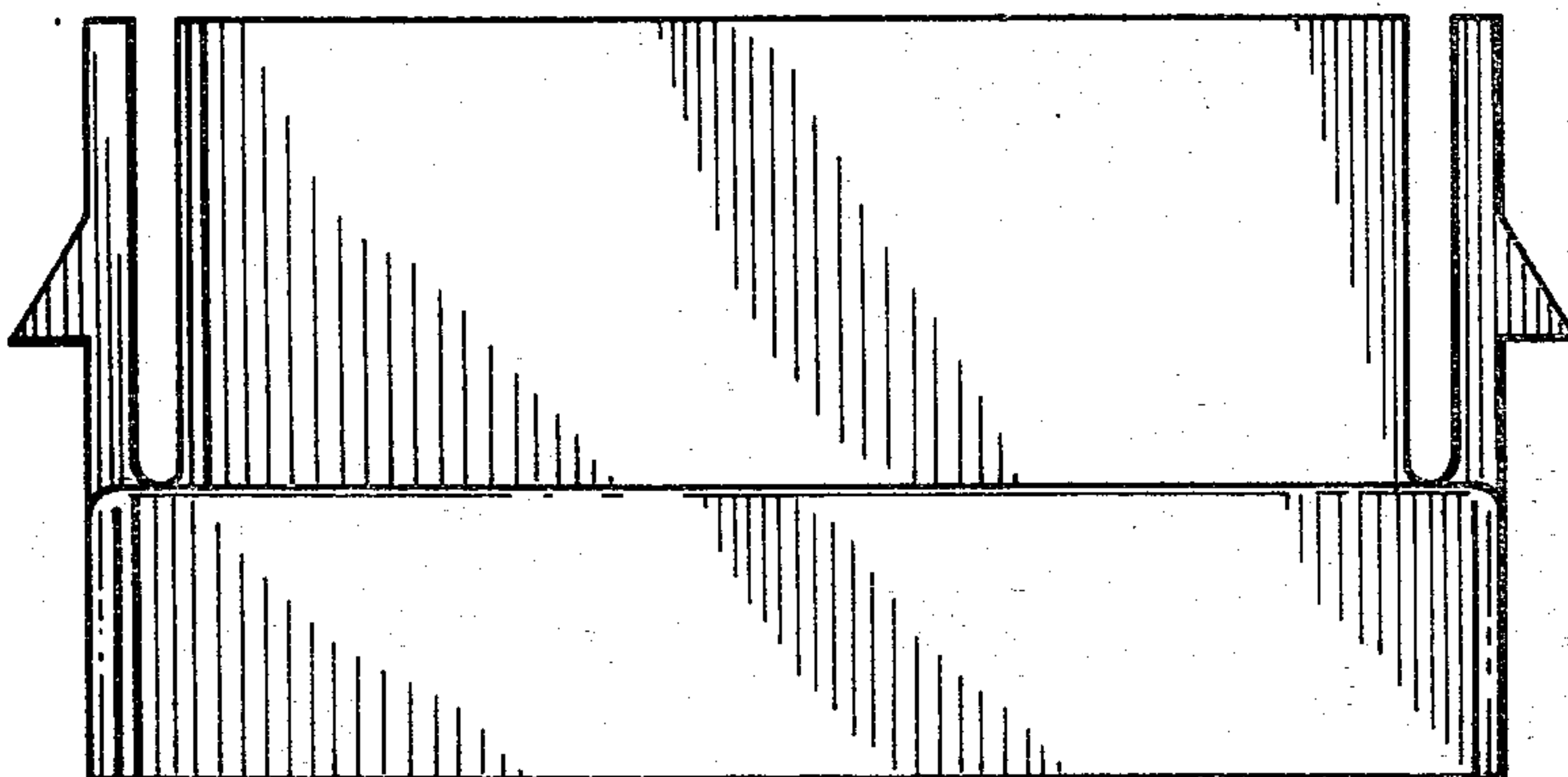


FIG. 3

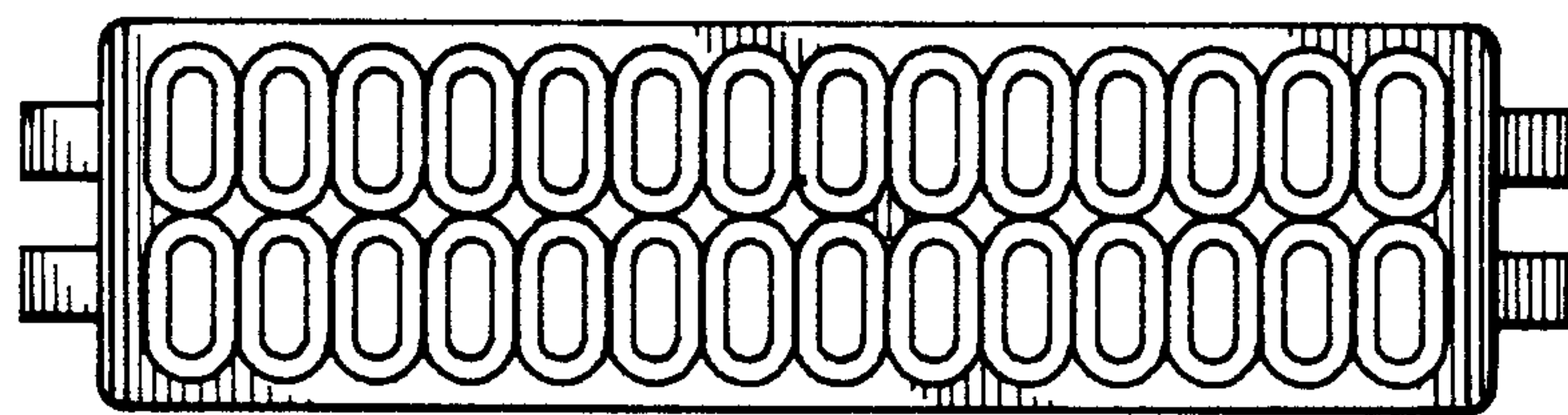


FIG. 4

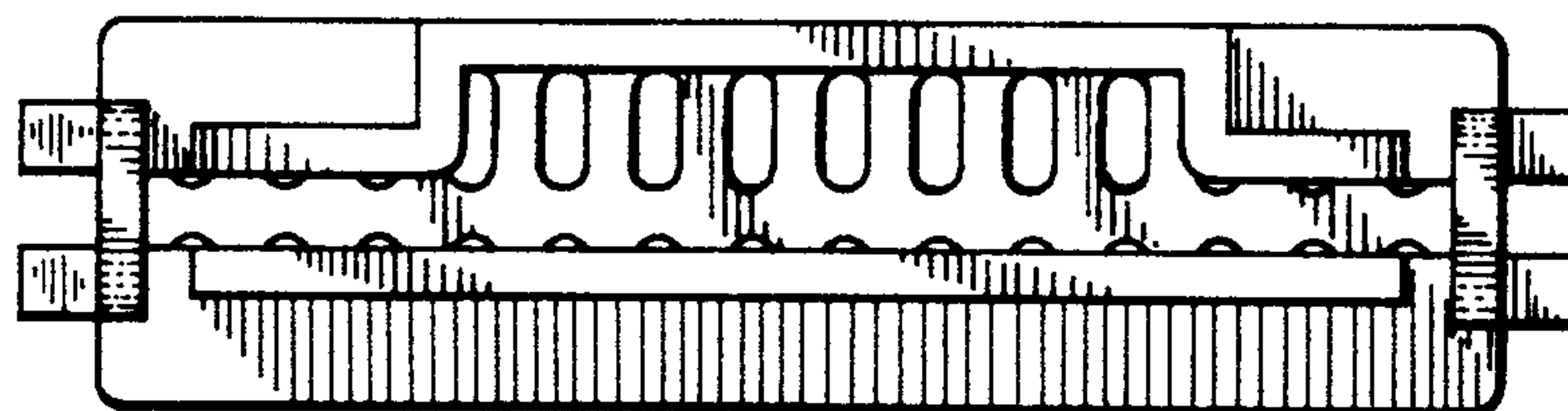


FIG. 5