

[54] OUTPUT PRINTER FOR ELECTRONIC COMPUTER

[75] Inventors: Tamada Kenji, Tokyo; Nagashima Yoshimitsu, Saitama, both of Japan

[73] Assignee: Silver Seiko Limited, Japan

[**] Term: 14 Years

[21] Appl. No.: 603,587

[22] Filed: Apr. 25, 1984

[30] Foreign Application Priority Data

Oct. 27, 1983 [JP] Japan 58-46709

[52] U.S. Cl. D14/111

[58] Field of Search D14/100, 107, 111; D18/13, 22; 400/693

[56] References Cited

U.S. PATENT DOCUMENTS

D. 269,782 7/1983 Canning et al. D14/111

OTHER PUBLICATIONS

Computer Design, 6-1980, p. 133, Qantex Printer. Monroe OC 8810/20 Microcomputer Brochure, ©1981, p. 3, Printer.

Primary Examiner—Susan J. Lucas
Attorney, Agent, or Firm—McGlew and Tuttle

[57] CLAIM

The ornamental design for output printer for electronic computer, substantially as shown and described.

DESCRIPTION

FIG. 1 is a rear elevational view of an output printer for electronic computer showing our new design; FIG. 2 is a top plan view thereof; FIG. 3 is a front elevational view thereof; FIG. 4 is a left side elevational view thereof; FIG. 5 is a rear side elevational view thereof; FIG. 6 is a bottom plan view thereof; FIG. 7 is a top, front perspective view thereof.

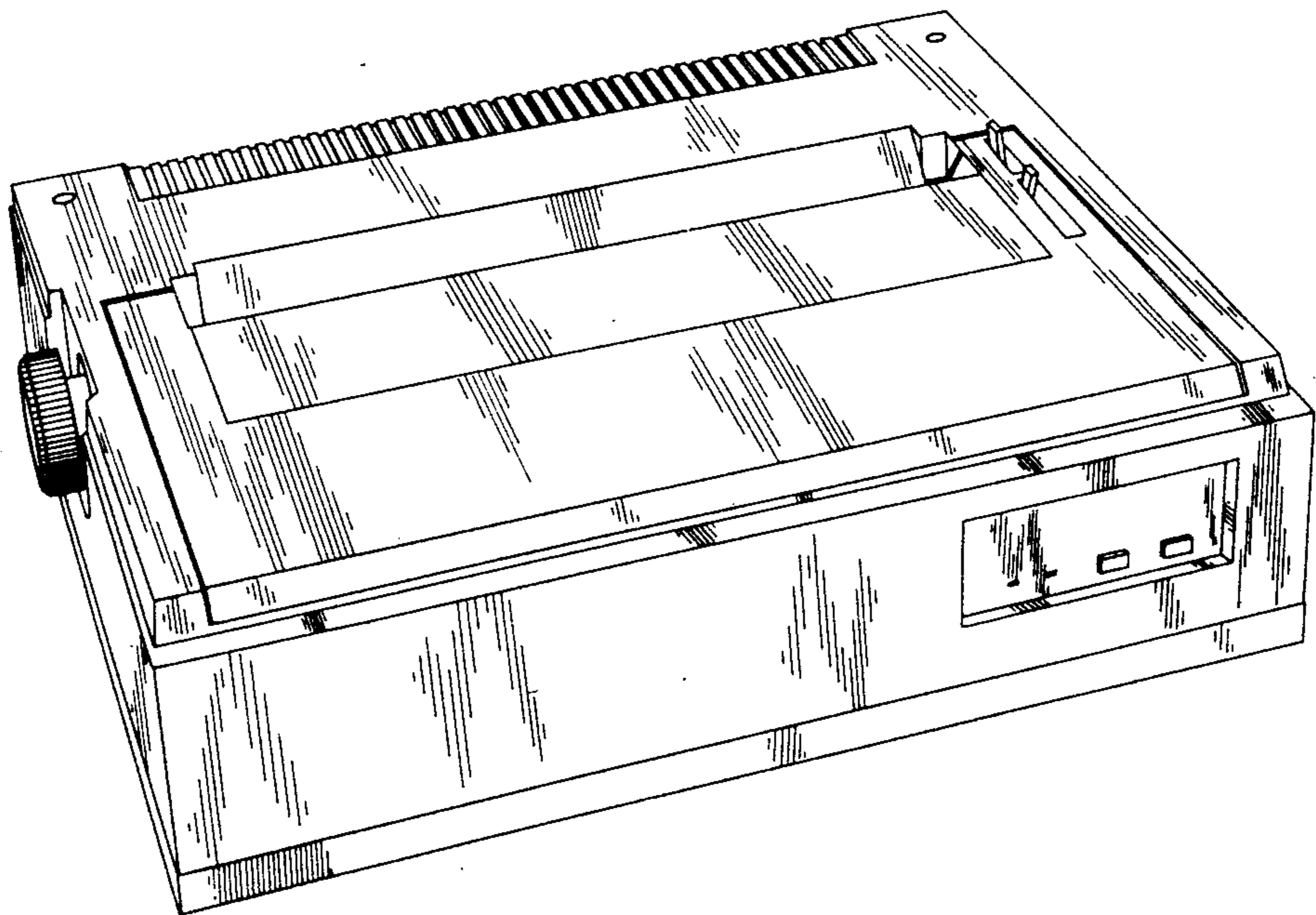


FIG. 1

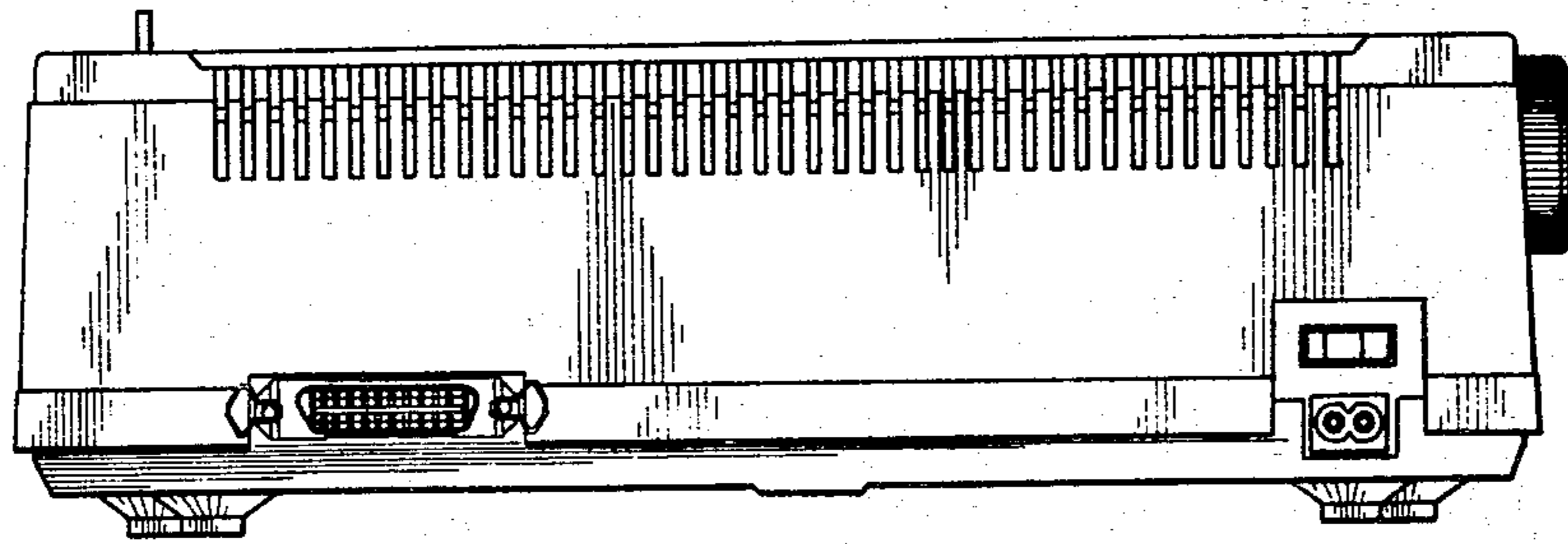


FIG. 2

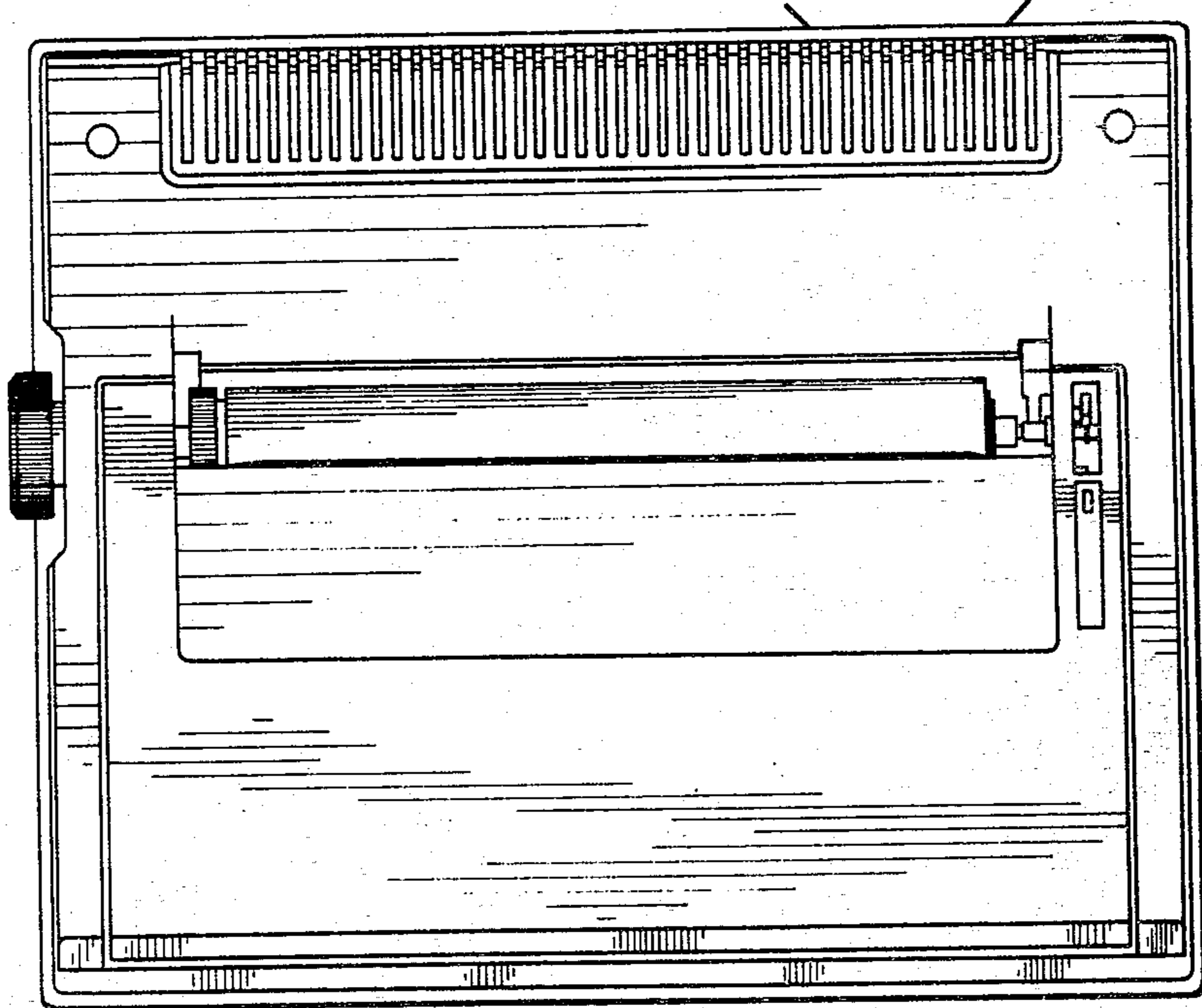


FIG. 3

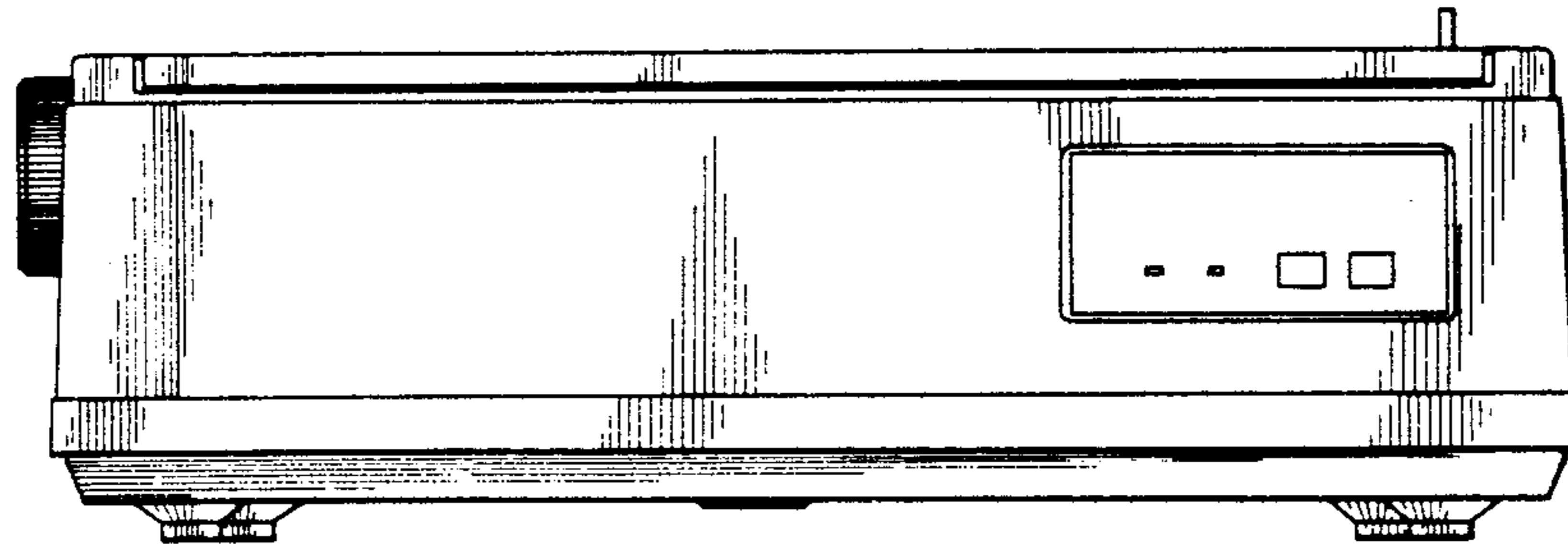


FIG. 4

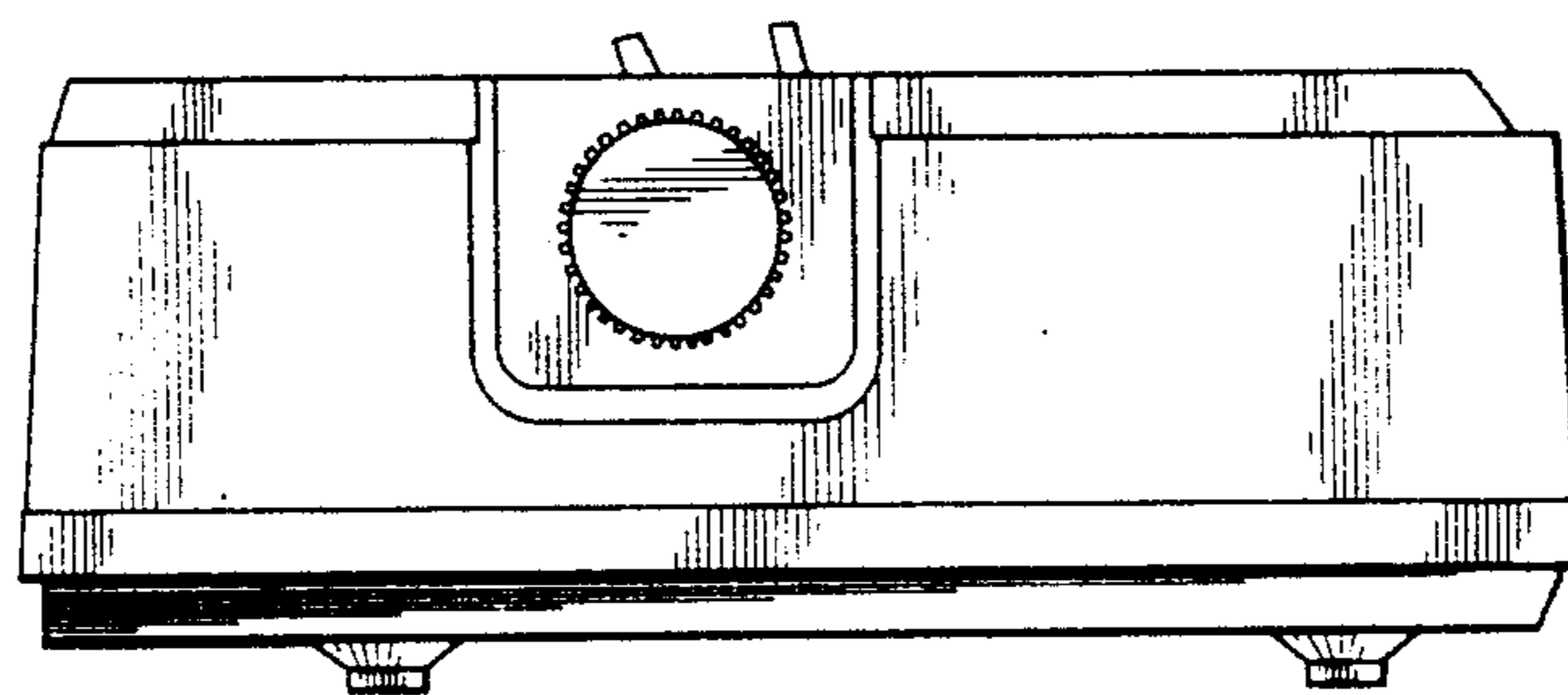


FIG. 5

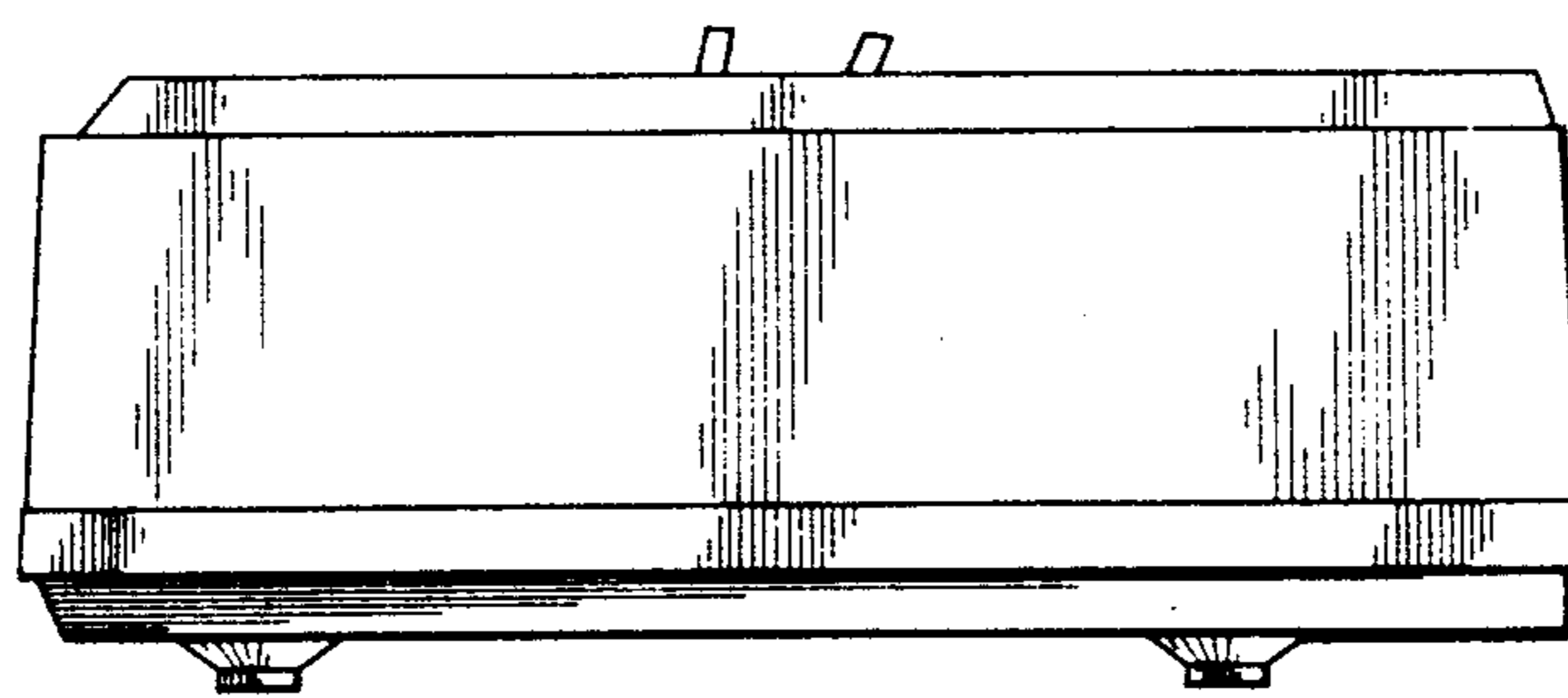


FIG. 6

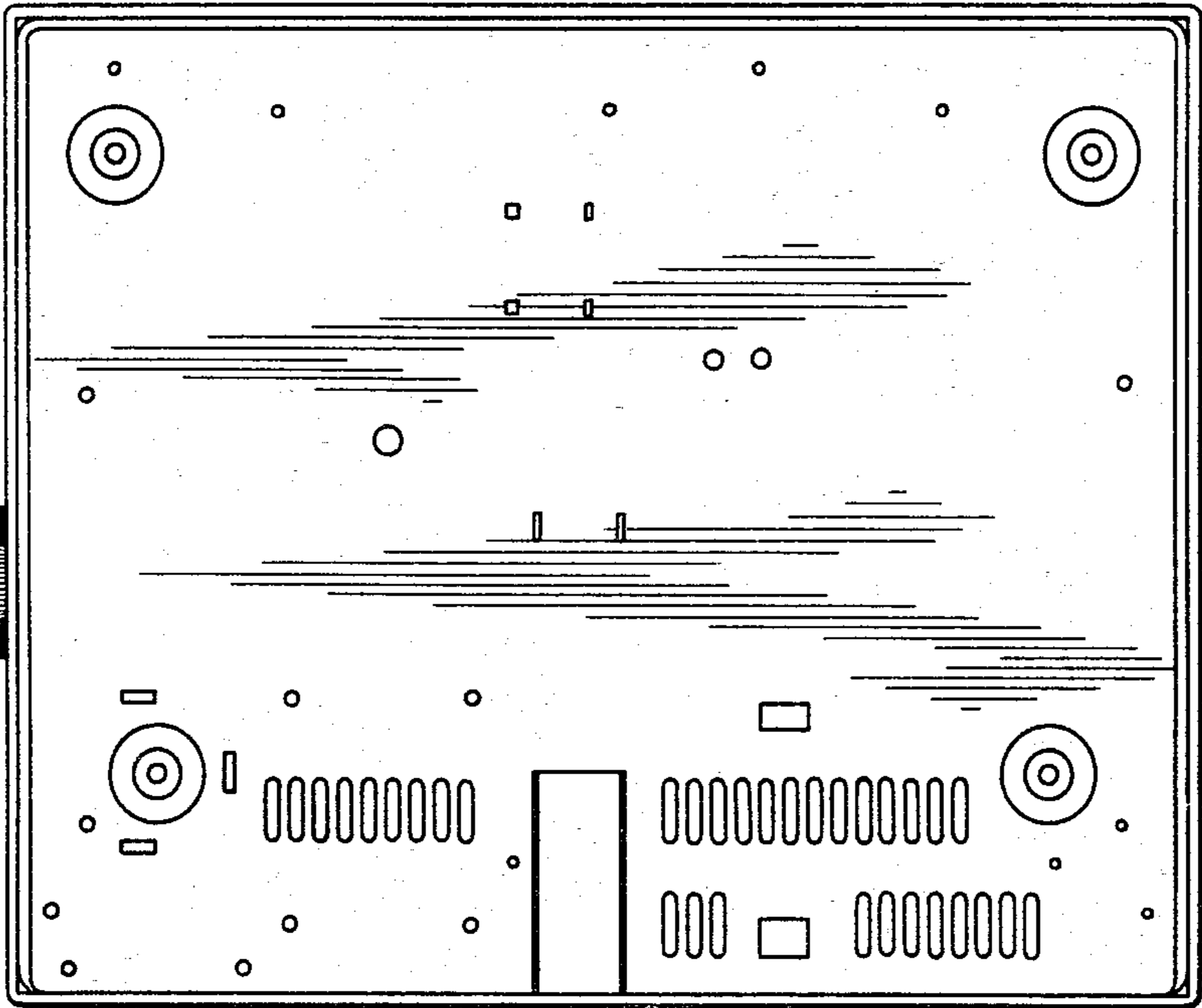


FIG. 7

