

[54] ADJUSTABLE AUTOMOTIVE MIRROR SUPPORT

[75] Inventor: Ernesto R. Haack, Buena Park, Calif.

[73] Assignee: Orion Industries, Inc., Compton, Calif.

[**] Term: 14 Years

[21] Appl. No.: 651,524

[22] Filed: Sep. 17, 1984

[52] U.S. Cl. D12/187

[58] Field of Search D12/187; 350/631-636, 350/638-640, 600

[56] References Cited

U.S. PATENT DOCUMENTS

D. 268,576 4/1983 Sharp D12/187

Primary Examiner—James M. Gandy

Attorney, Agent, or Firm—Roylance, Abrams, Berdo & Goodman

[57] CLAIM

The ornamental design for an adjustable automotive mirror support, as shown and described.

DESCRIPTION

FIG. 1 is a perspective view of an adjustable automotive mirror support showing my new design; FIG. 2 is a front elevational view thereof; FIG. 3 is a rear elevational view thereof; FIG. 4 is a top plan view thereof; FIG. 5 is a bottom plan view thereof; FIG. 6 is an end elevational view thereof; and FIG. 7 is an end elevational view thereof opposite to that shown in FIG. 6.

The broken line showing of a mirror in FIG. 1 of the drawing is for illustrative purposes only and forms no part of the claimed design.

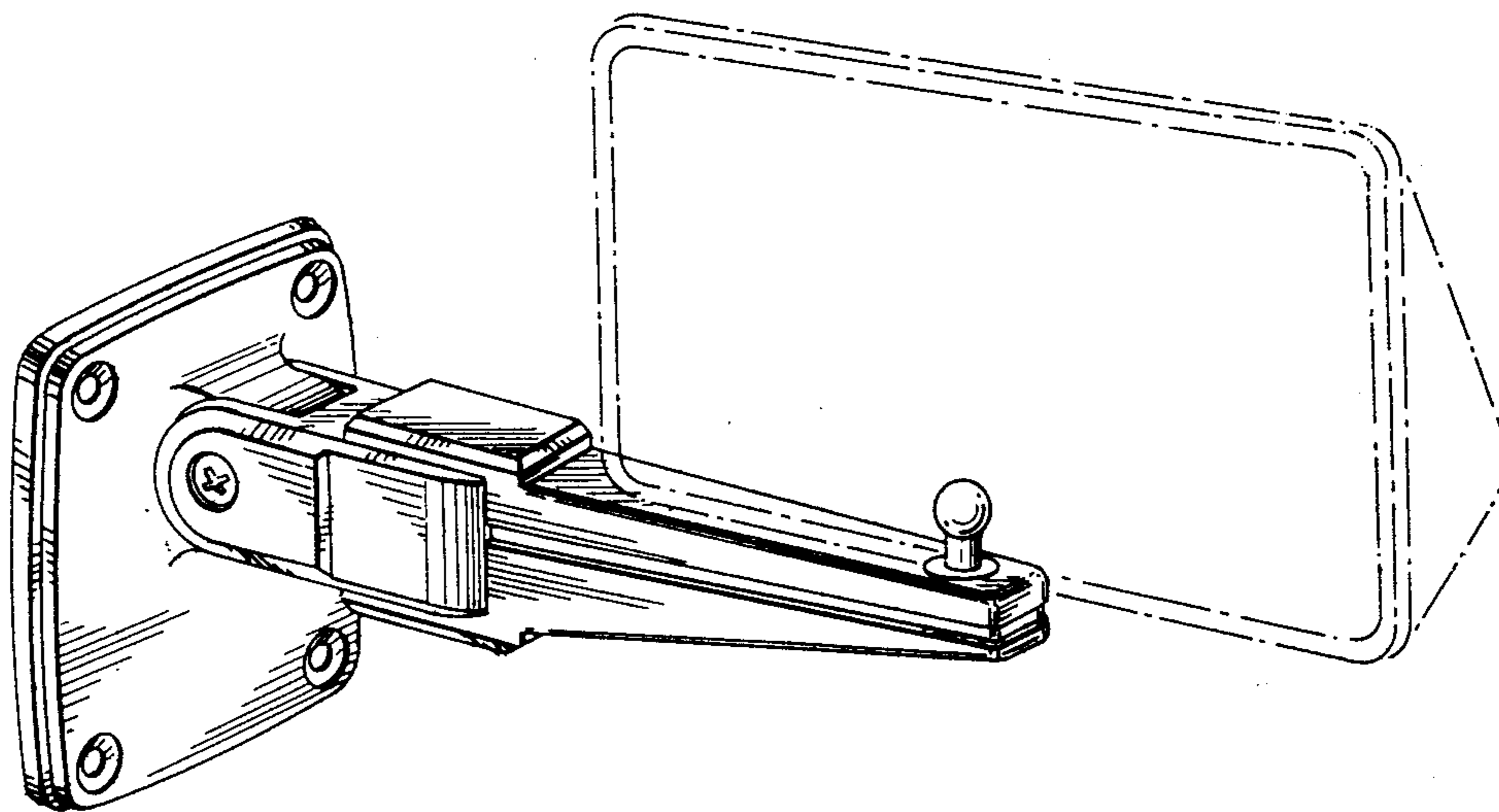


FIG. 1

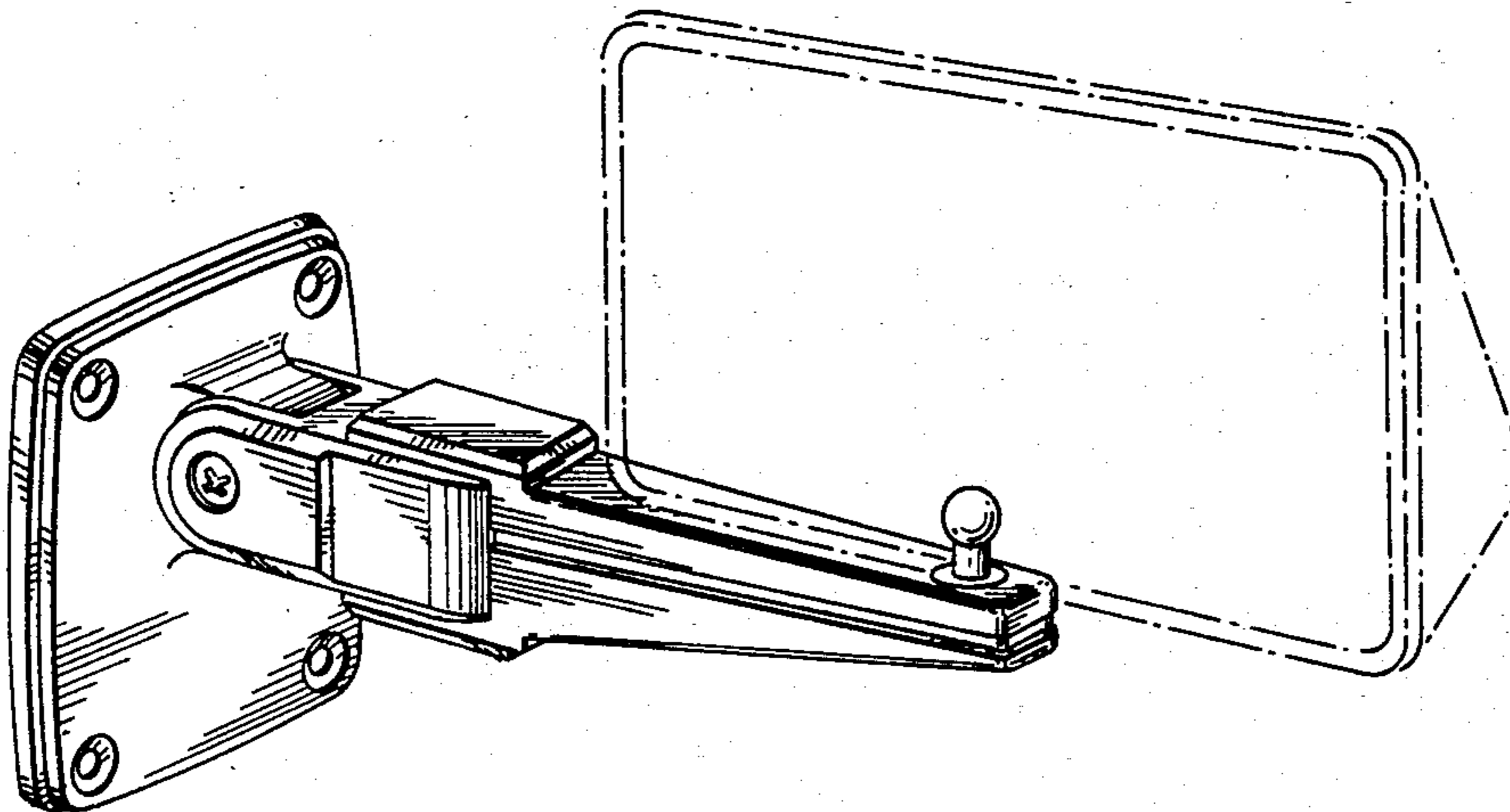


FIG. 2

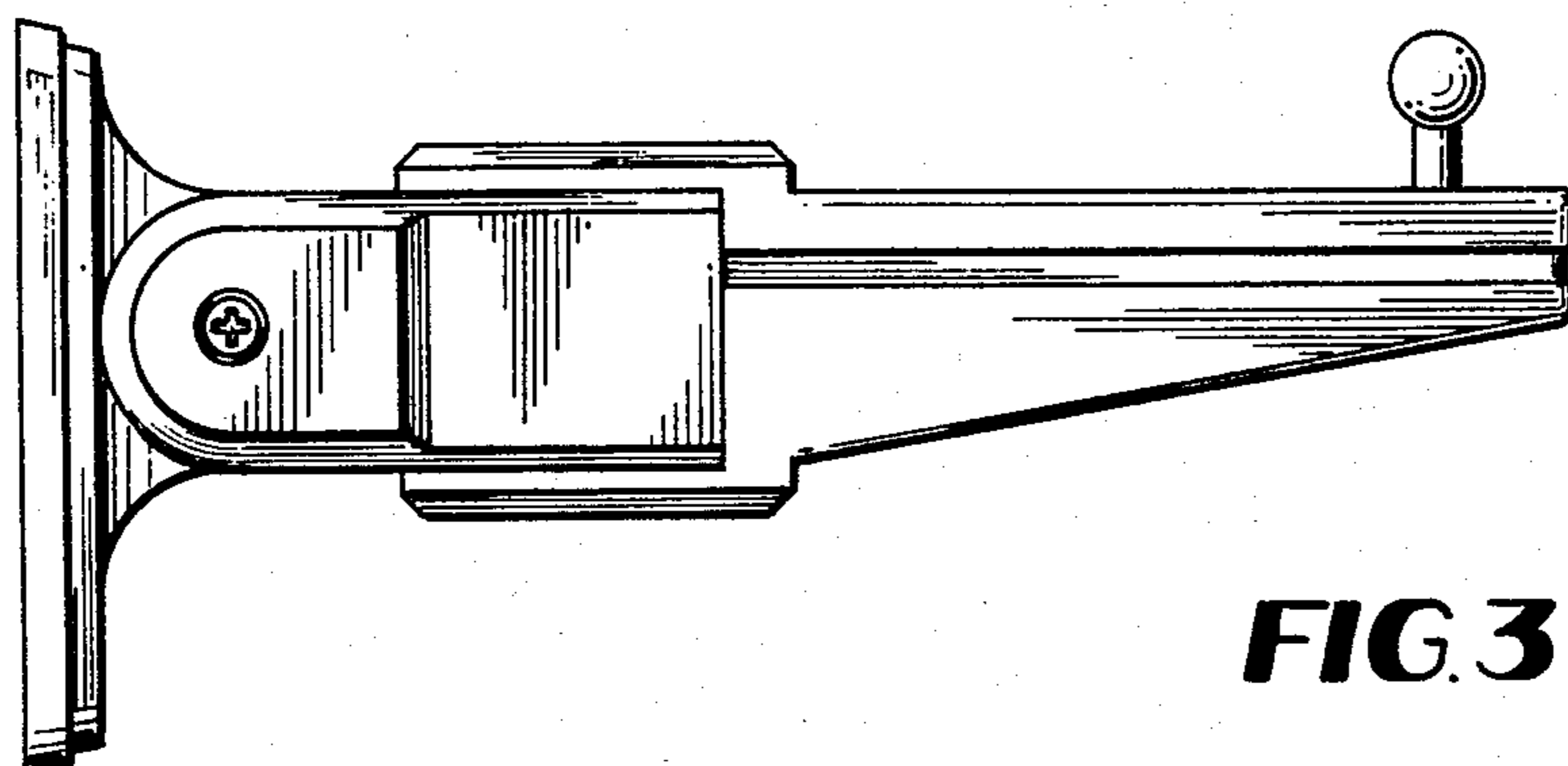
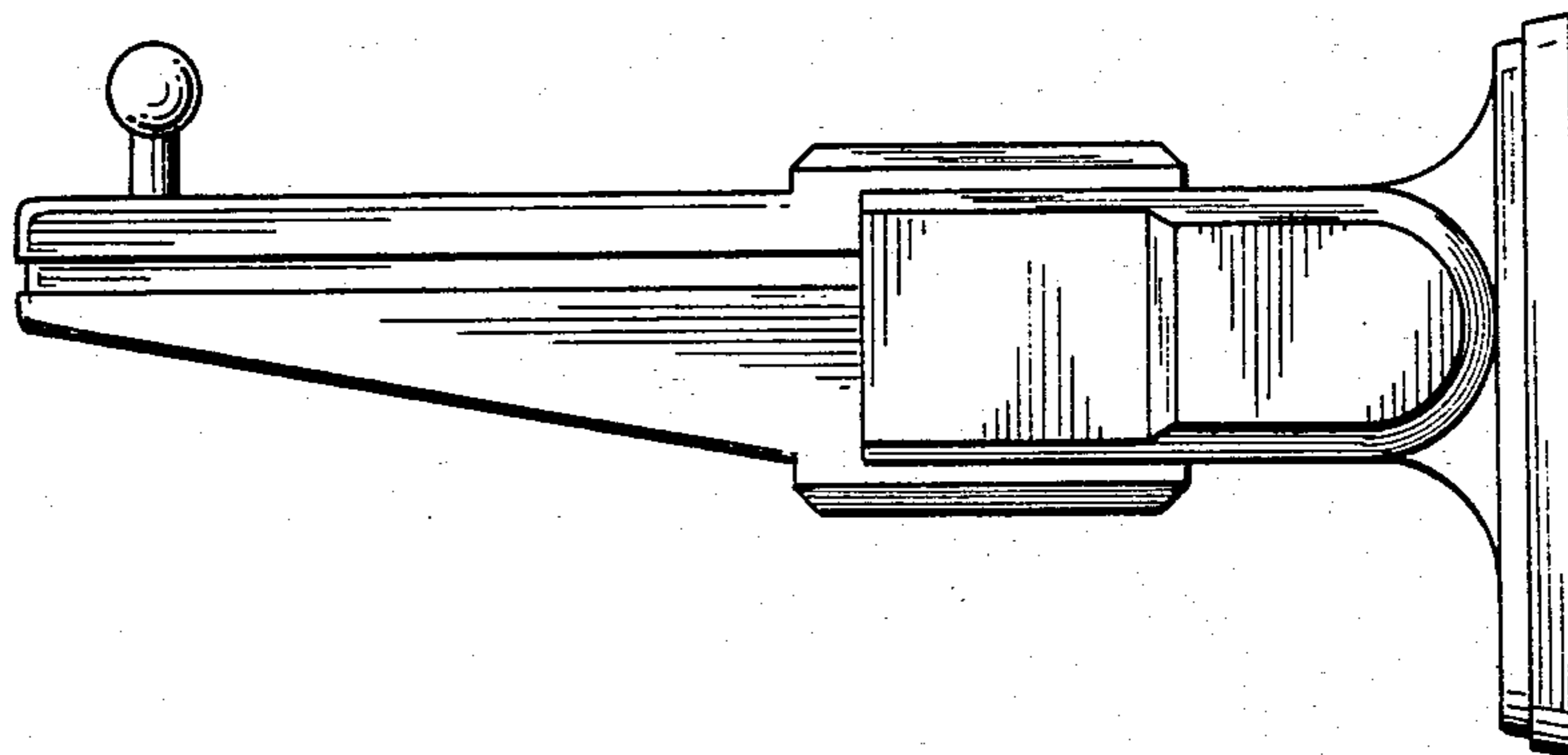


FIG. 3

FIG. 4

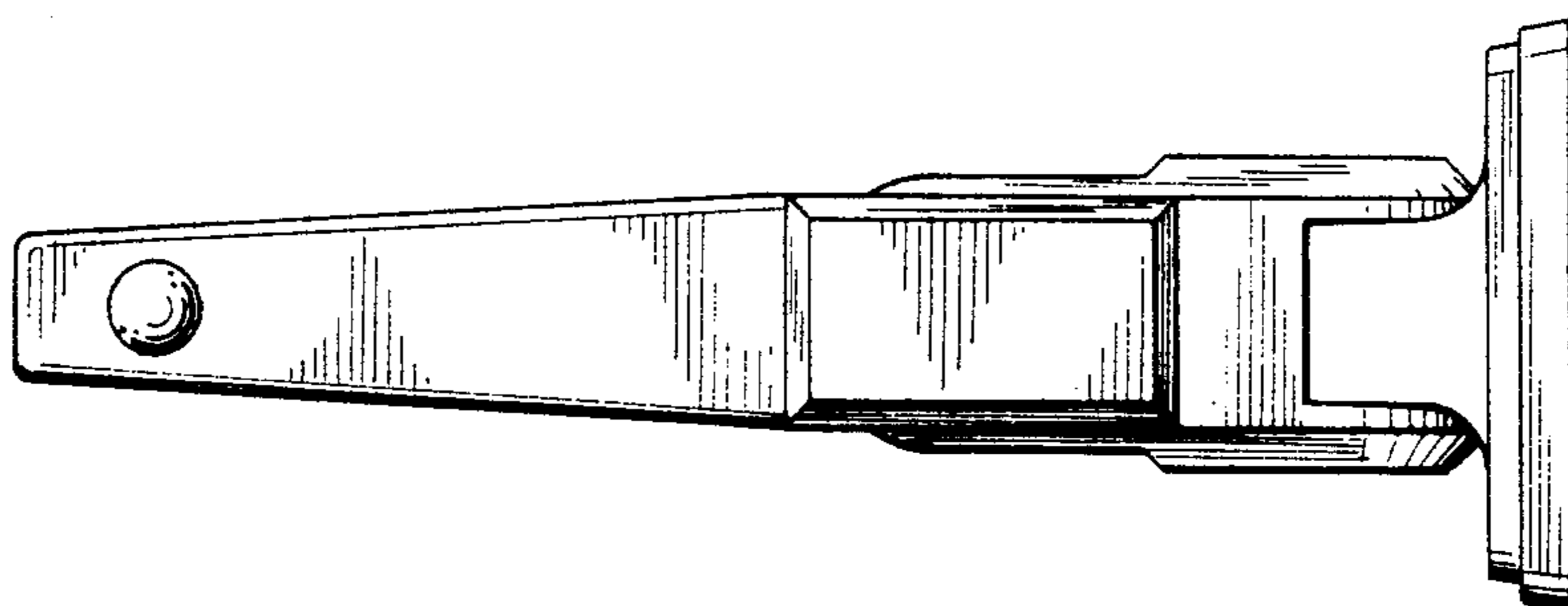


FIG. 5

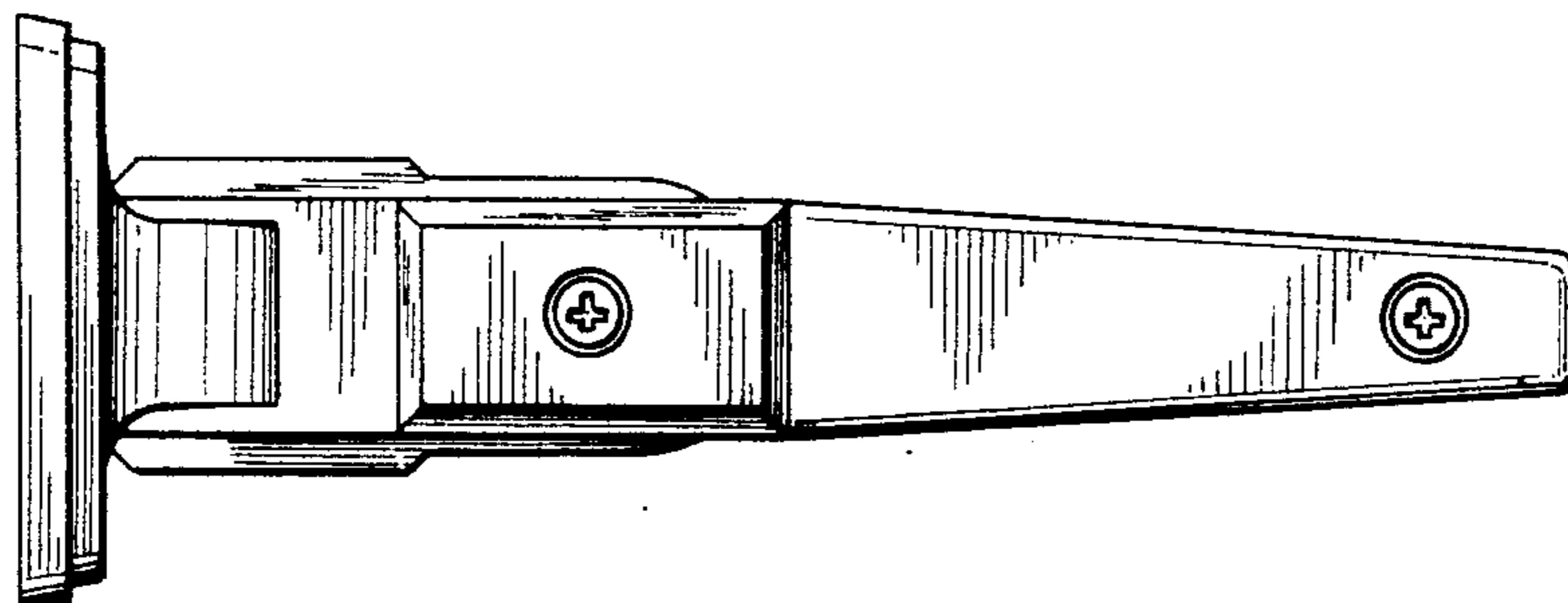


FIG. 6

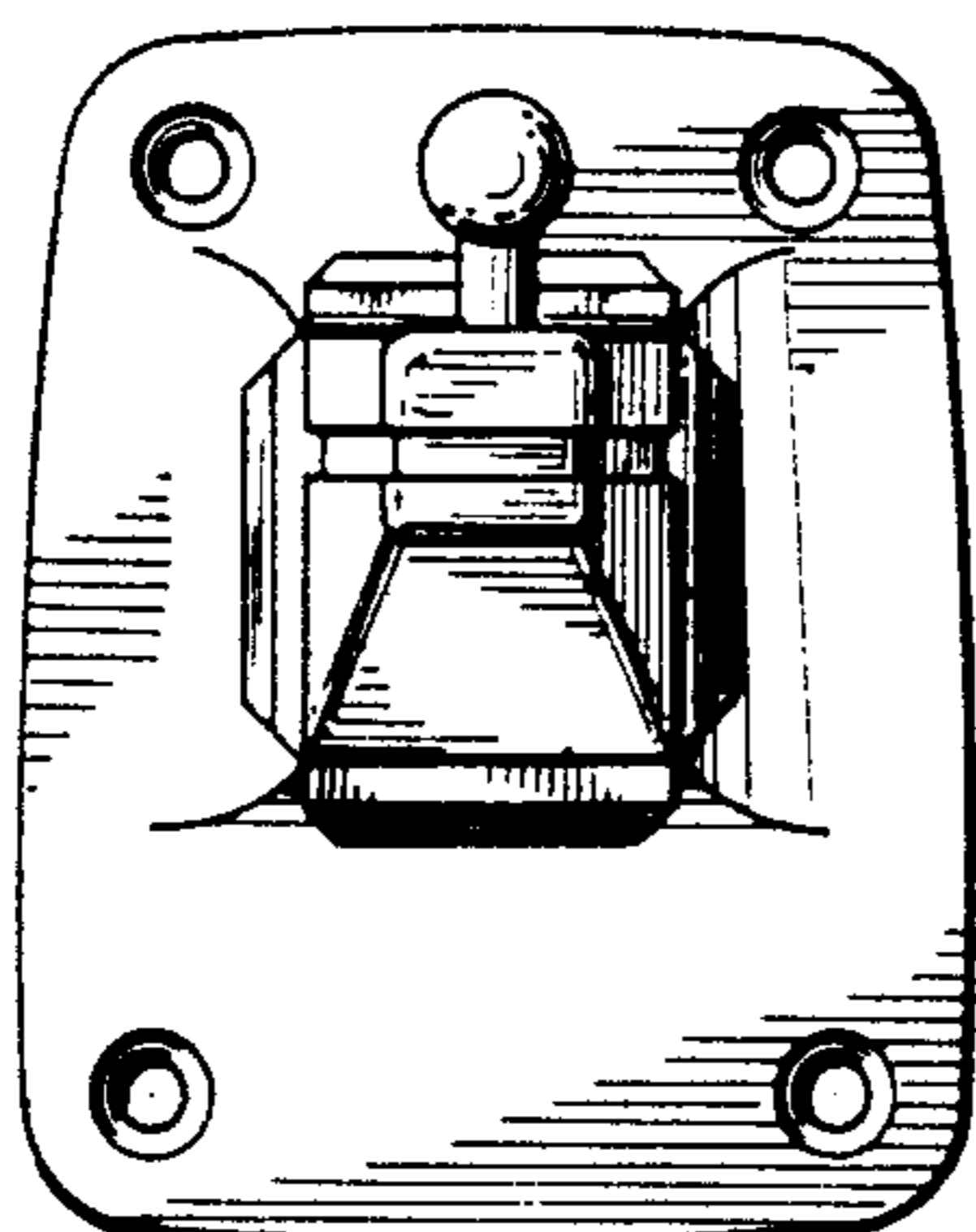


FIG. 7

