

[54] **PROTECTIVE COVER FOR VEHICLE ROOF VENT**

[75] Inventor: **Ronald P. Hayslette**, Huntington Beach, Calif.

[73] Assignee: **Jensen General Corp.**, Los Angeles, Calif.

[**] Term: **14 Years**

[21] Appl. No.: **546,039**

[22] Filed: **Oct. 27, 1983**

[52] U.S. Cl. **D12/155**

[58] Field of Search **D12/155, 156; 98/2.14, 98/2.16; 296/210; 49/50, 52**

[56] **References Cited**

U.S. PATENT DOCUMENTS

4,038,911	8/1977	Hart	98/2.14
4,193,339	3/1980	Giles	98/2.14

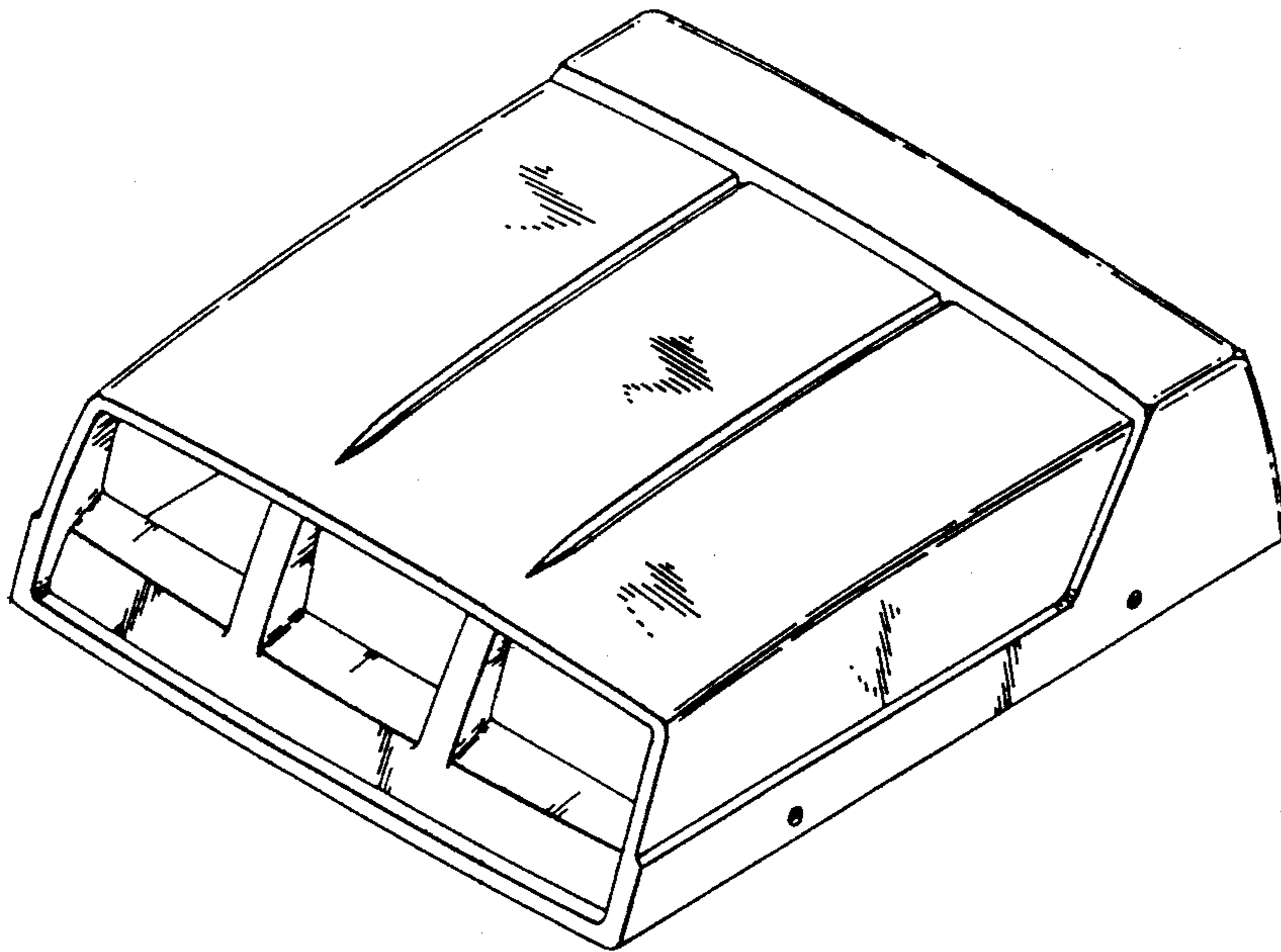
Primary Examiner—James M. Gandy
Attorney, Agent, or Firm—Harlan P. Huebner

[57] **CLAIM**

The ornamental design for a protective cover for vehicle roof vent, as shown and described.

DESCRIPTION

FIG. 1 is a top front perspective view of a protective cover for vehicle roof vent illustrating my new design; FIG. 2 is a front elevation view thereof; FIG. 3 is a top rear perspective view thereof; FIG. 4 is a rear elevation view thereof; FIG. 5 is a bottom plan view thereof; FIG. 6 is a top front perspective view of a protective cover for vehicle roof vent showing a second embodiment of my new design; FIG. 7 is a front elevation view of the embodiment of FIG. 6; and FIG. 8 is a rear elevation view of the embodiment of FIG. 6.



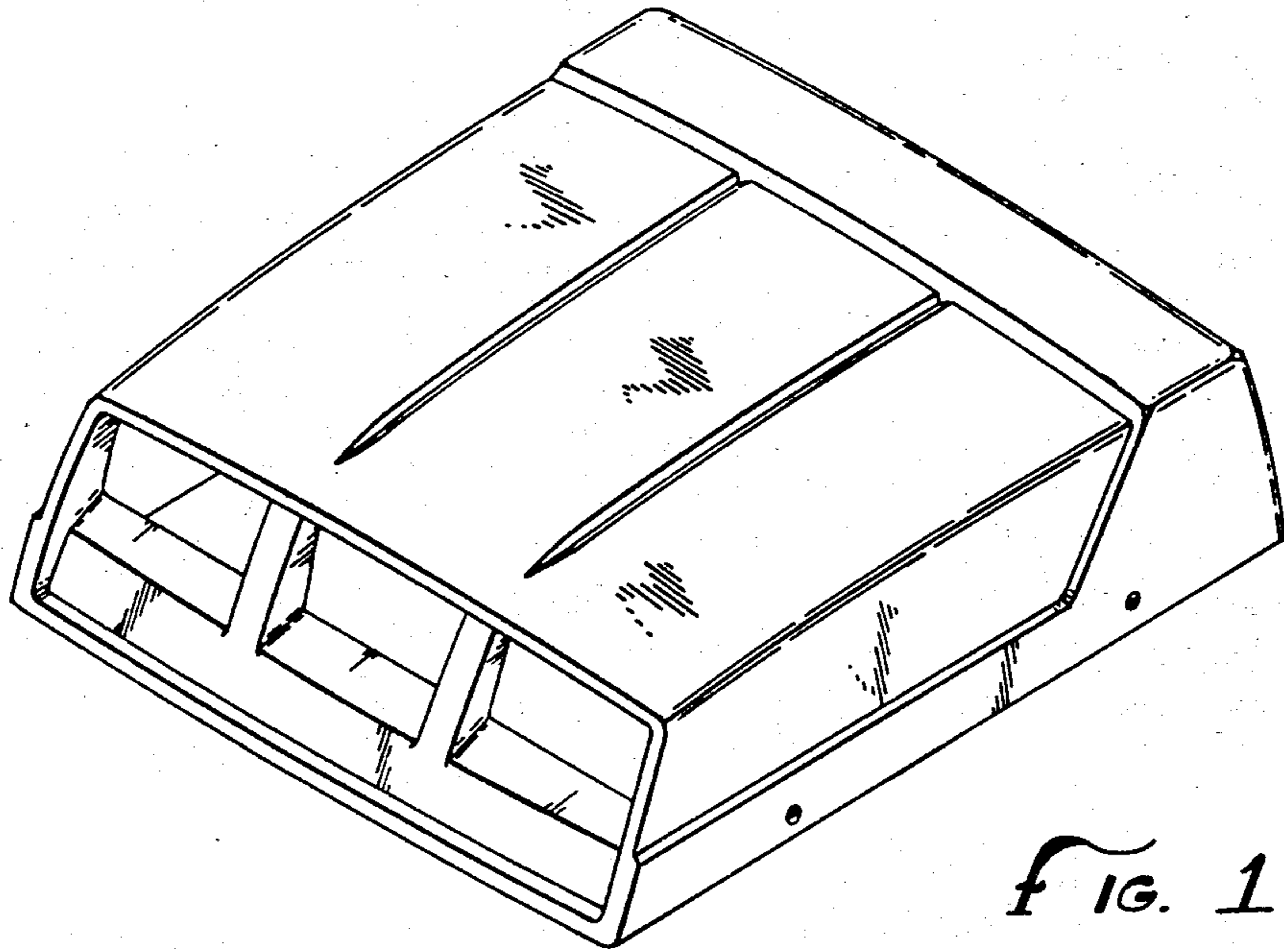


FIG. 1.

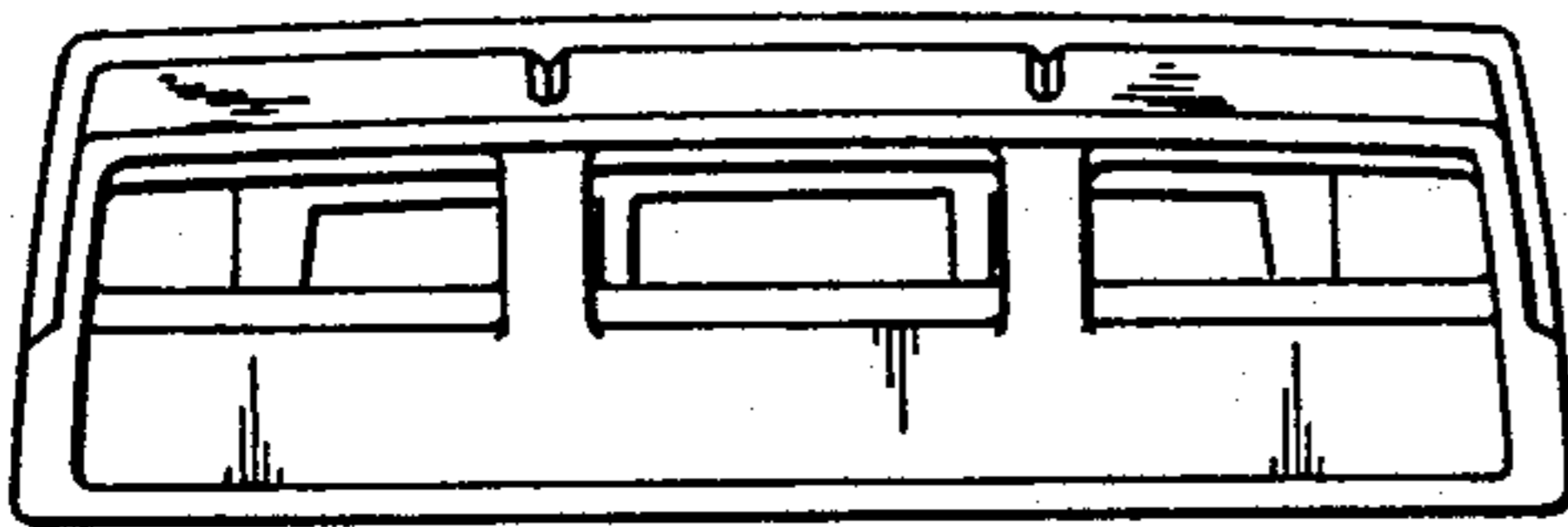


FIG. 2.

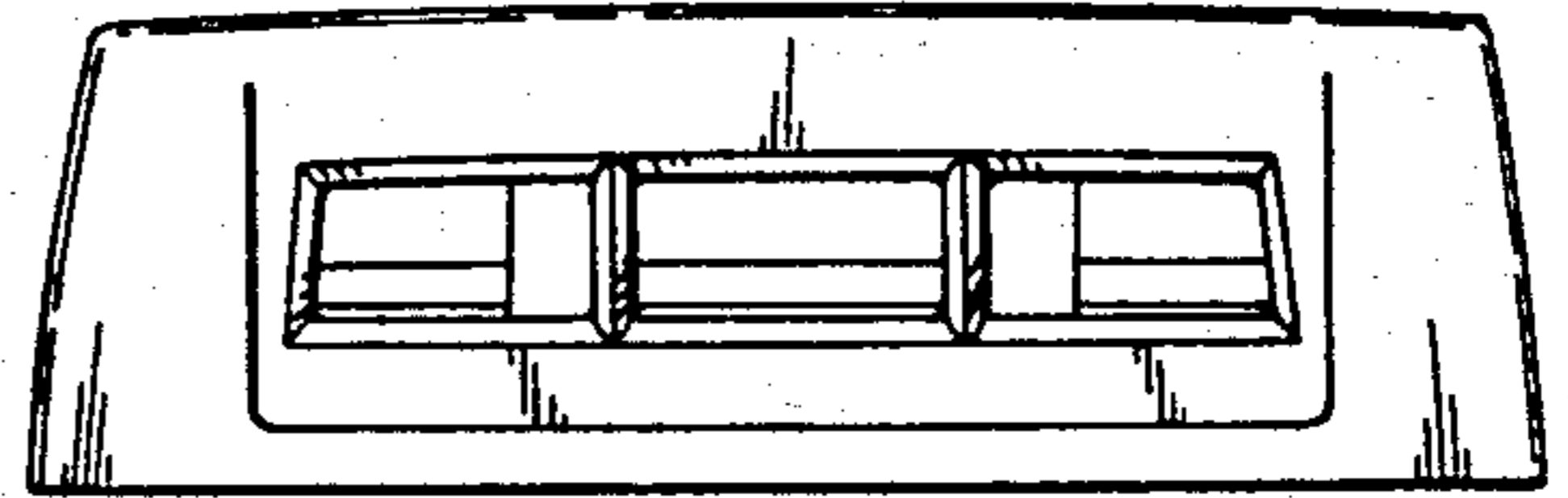


FIG. 4.

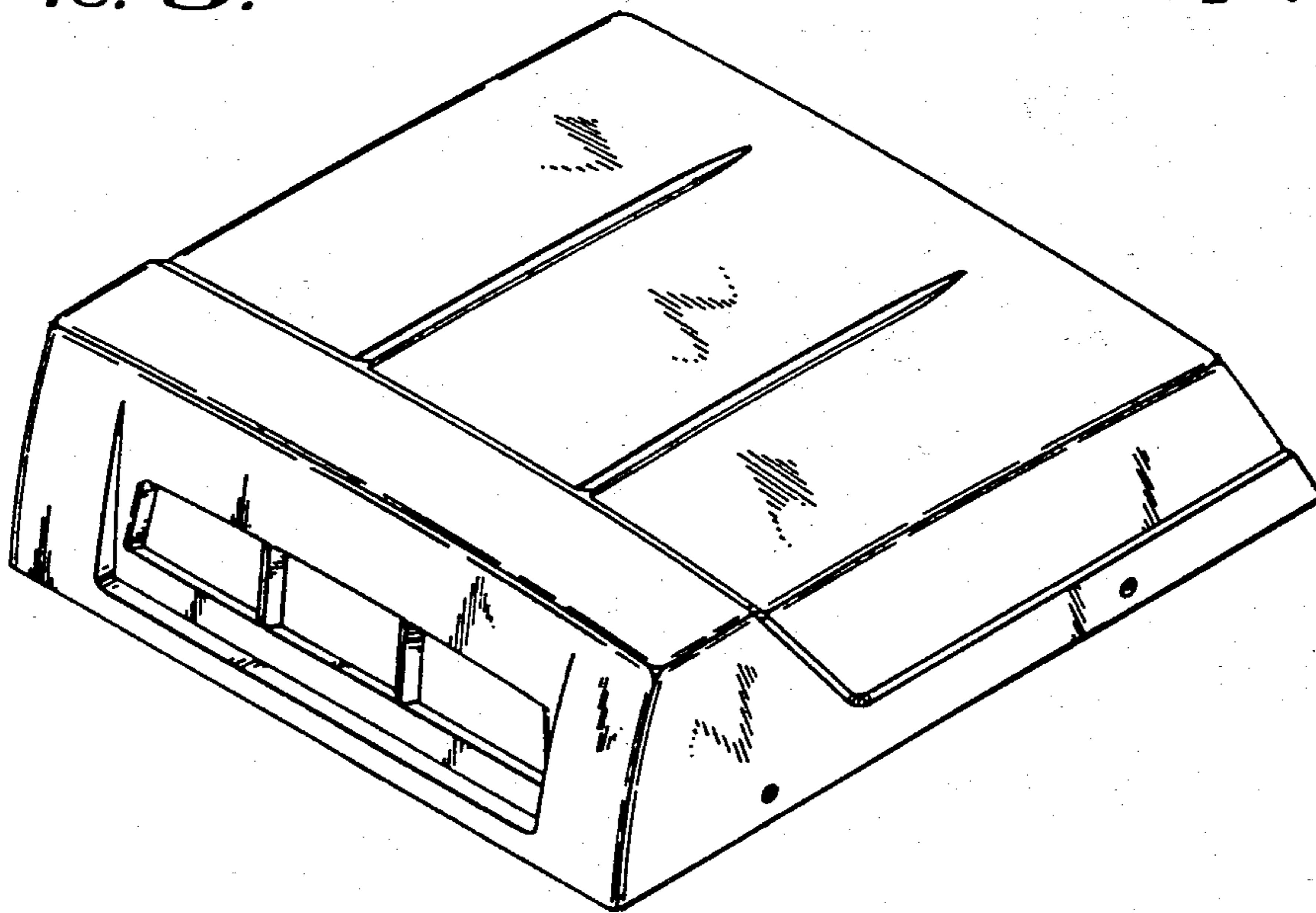


FIG. 3.

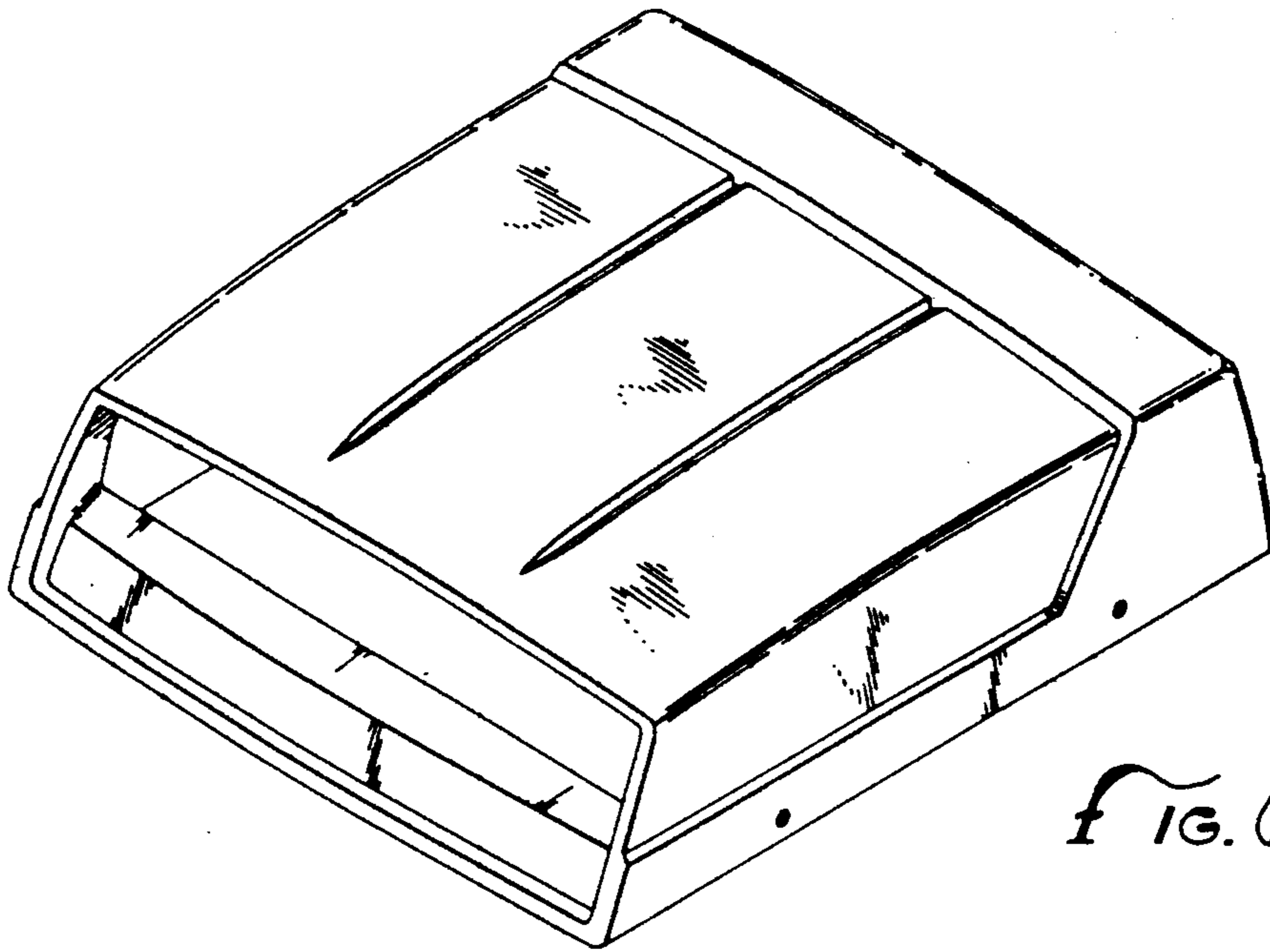


FIG. 6.



FIG. 7.

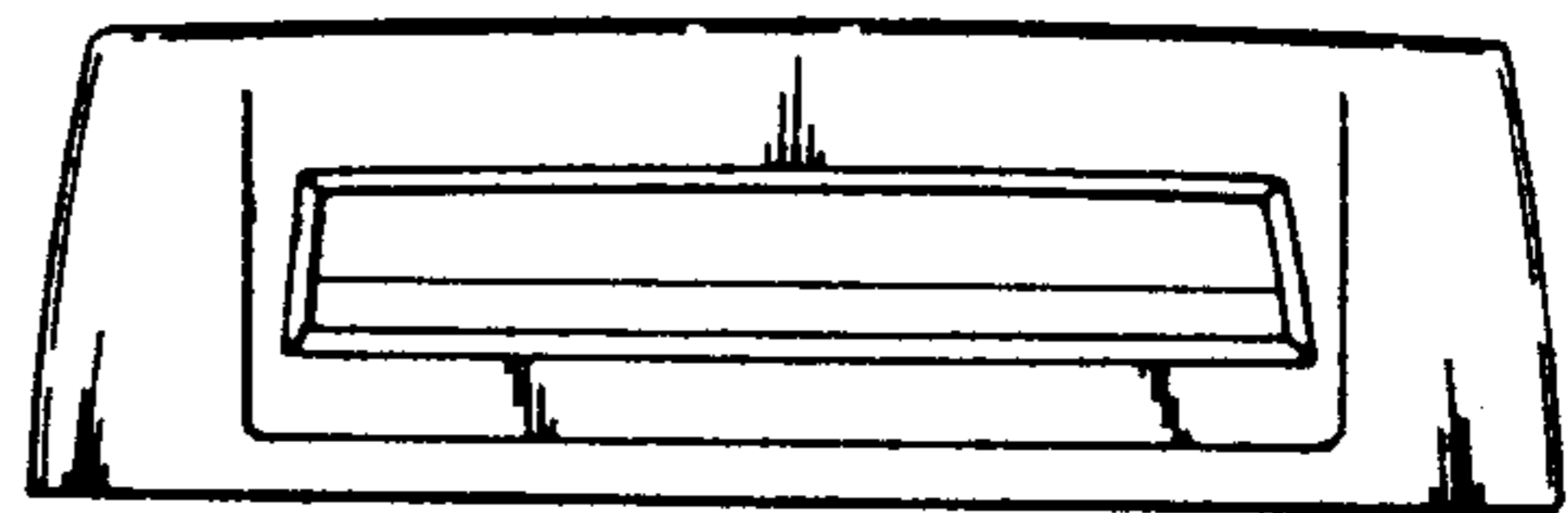


FIG. 8.

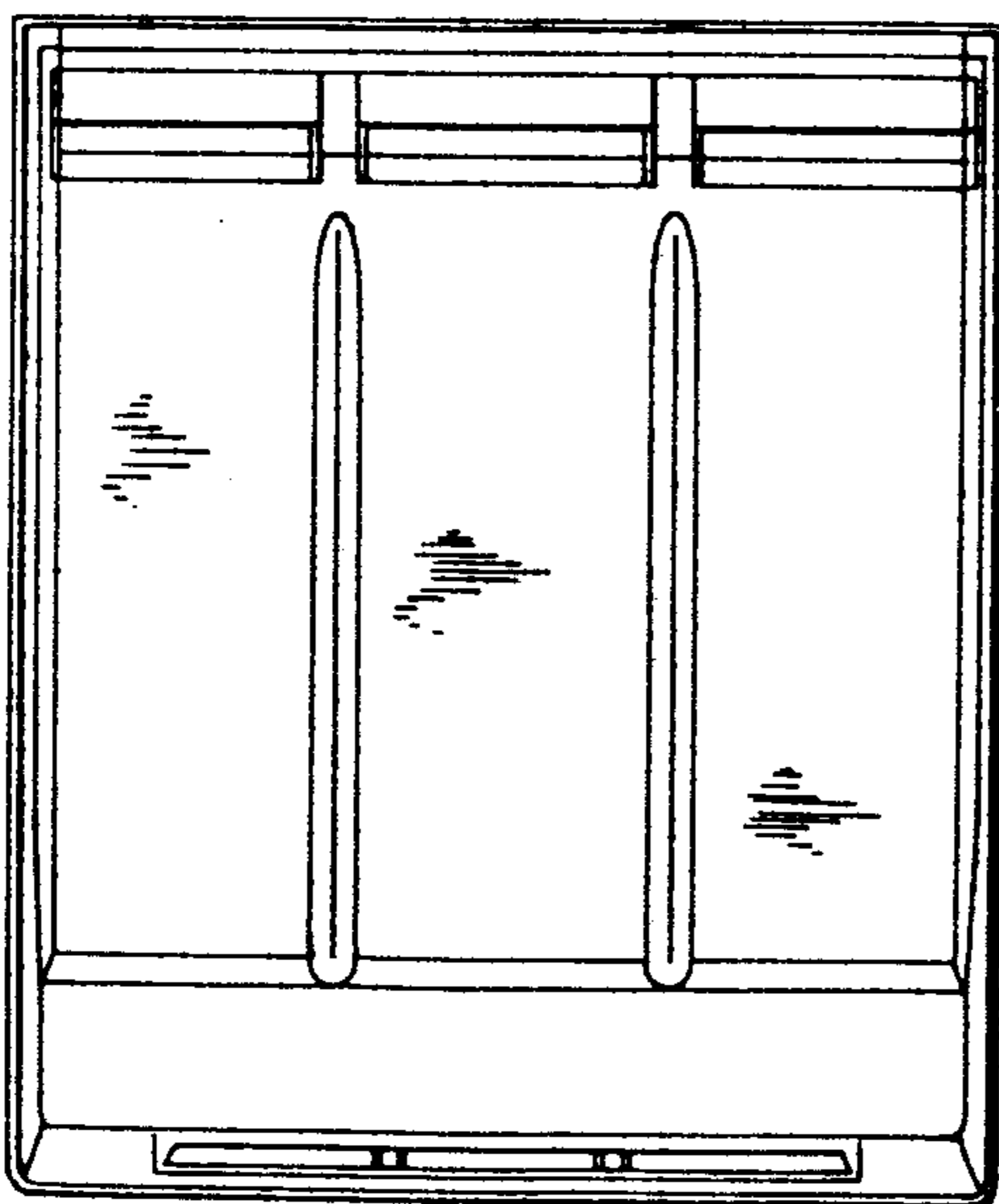


FIG. 5.