

[54] **JAMB BRACKET**  
 [75] Inventor: **Louis D. Huot**, Vadnais Heights, Minn.  
 [73] Assignee: **Ideal Security Hardware Corporation**, St. Paul, Minn.  
 [\*\*] Term: **14 Years**  
 [21] Appl. No.: **603,517**  
 [22] Filed: **Apr. 24, 1984**  
 [52] U.S. Cl. .... **D8/330; D8/349**  
 [58] Field of Search ..... **D8/349, 330, 373; 292/299; 248/300; 16/387, 389, 390, 391, 392, 66, 70, 52**

1,185,157	5/1916	Yates .....	16/392
1,565,524	12/1925	Summerall .....	292/275
1,675,980	7/1928	Lebherz .....	16/66
1,710,321	4/1929	Roedding .....	16/389
2,071,660	2/1937	Schulz et al. ....	16/66
2,260,898	10/1941	Hall .....	16/389
2,277,140	3/1942	O'Connell .....	16/389
2,497,288	2/1950	Bissell et al. ....	16/392
2,552,821	5/1951	Simpson .....	16/70
2,702,398	2/1955	Marcus .....	16/66
3,977,712	8/1976	Northrop .....	292/338
4,194,264	3/1980	Stoffregen .....	16/52
4,332,055	6/1982	Rudnick et al. ....	16/392

*Primary Examiner*—Wallace R. Burke  
*Assistant Examiner*—Horace B. Fay  
*Attorney, Agent, or Firm*—Merchant, Gould, Smith, Edell, Welter & Schmidt

[56] **References Cited**  
**U.S. PATENT DOCUMENTS**

D. 100,587	7/1936	Spencer et al. ....	16/389 X
D. 204,187	3/1966	Schulz .....	D8/330
D. 249,225	9/1978	Moe .....	D8/07
D. 273,457	4/1984	Matsuo et al. ....	D8/330
D. 275,431	9/1984	Usab .....	D8/373
285,156	9/1883	Page .....	16/66
322,763	7/1885	Vincent .....	16/84
365,491	6/1887	Shaw .....	16/49
454,078	6/1891	Smith .....	16/49
715,175	12/1902	Sullivan .....	16/49
892,556	7/1908	Selleck .....	16/389
953,378	3/1910	Daggs .....	16/84

[57] **CLAIM**  
 The ornamental design for a jamb bracket, as shown and described.

**DESCRIPTION**  
 FIG. 1 is a left side, top and front perspective view of a jamb bracket showing my new design;  
 FIG. 2 is a rear elevational view thereof;  
 FIG. 3 is a top plan view thereof;  
 FIG. 4 is a front elevational view thereof;  
 FIG. 5 is a bottom plan view thereof;  
 FIG. 6 is a right side elevational view thereof; and  
 FIG. 7 is a left side elevational view thereof.

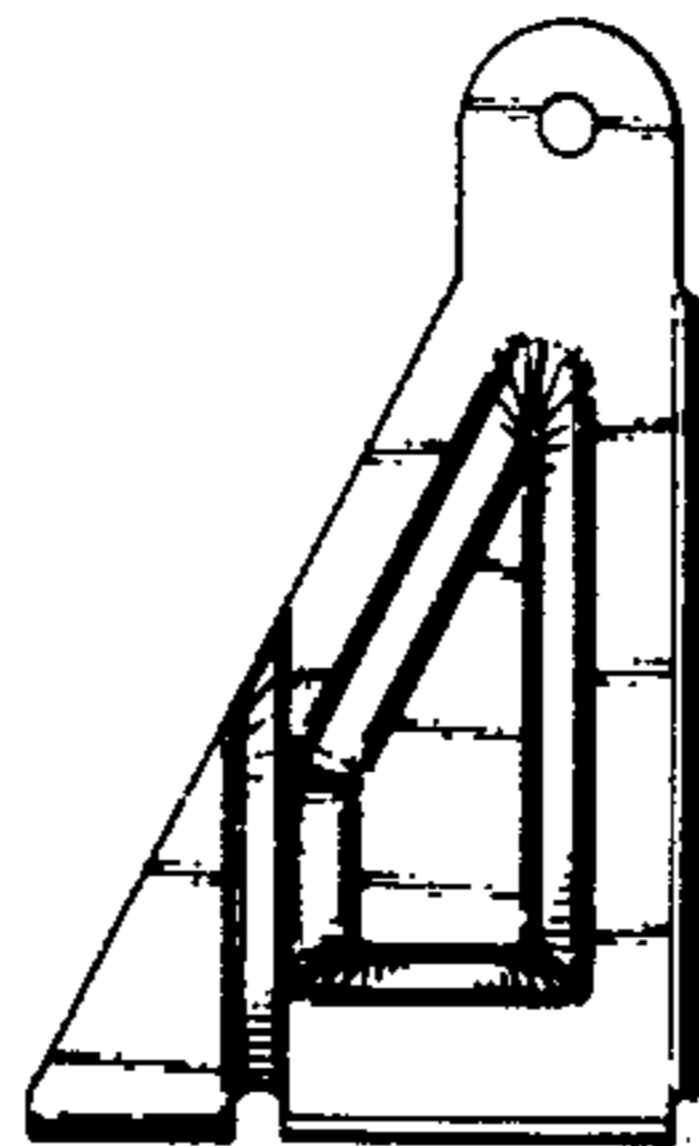
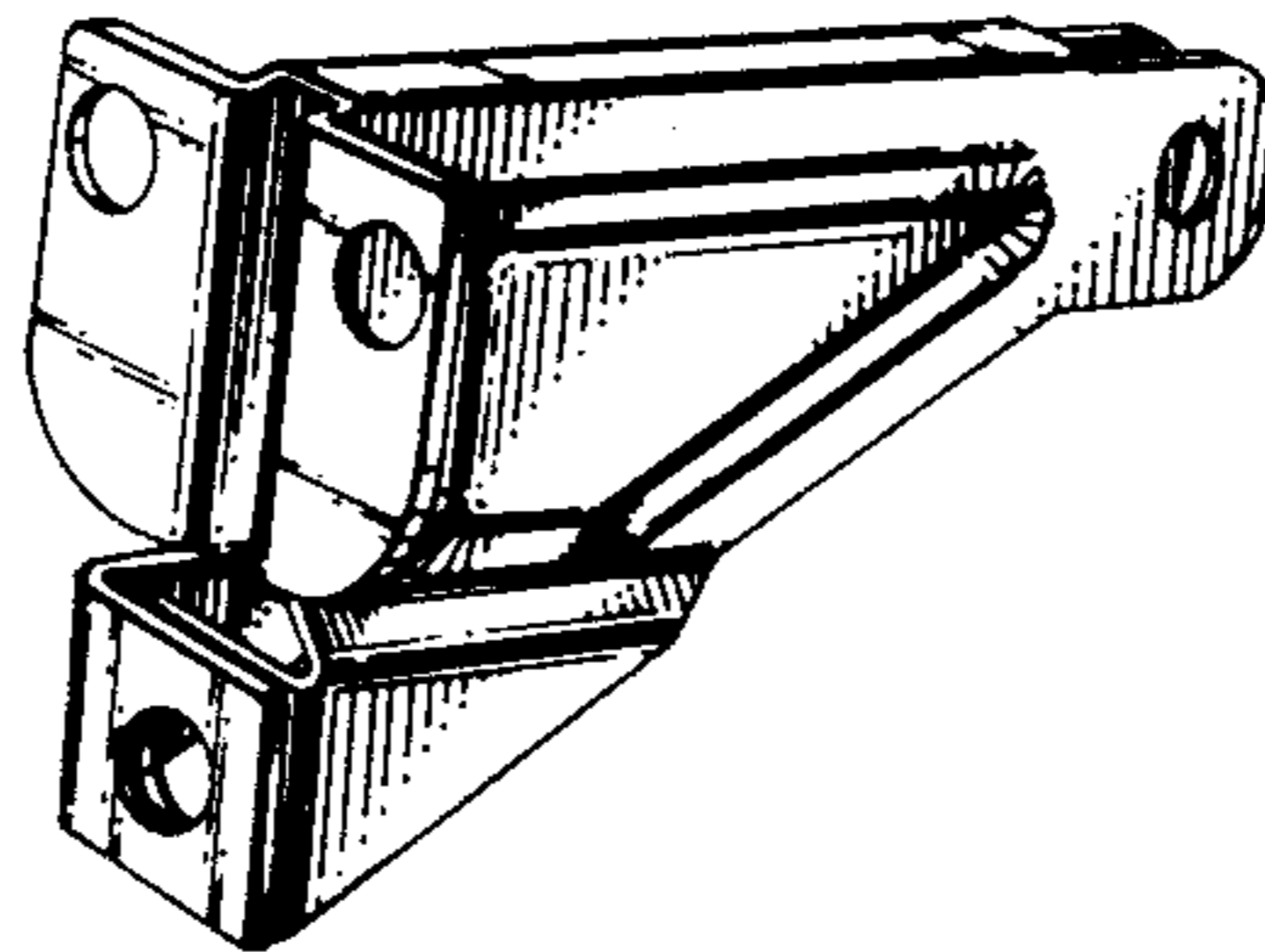


FIG. 1

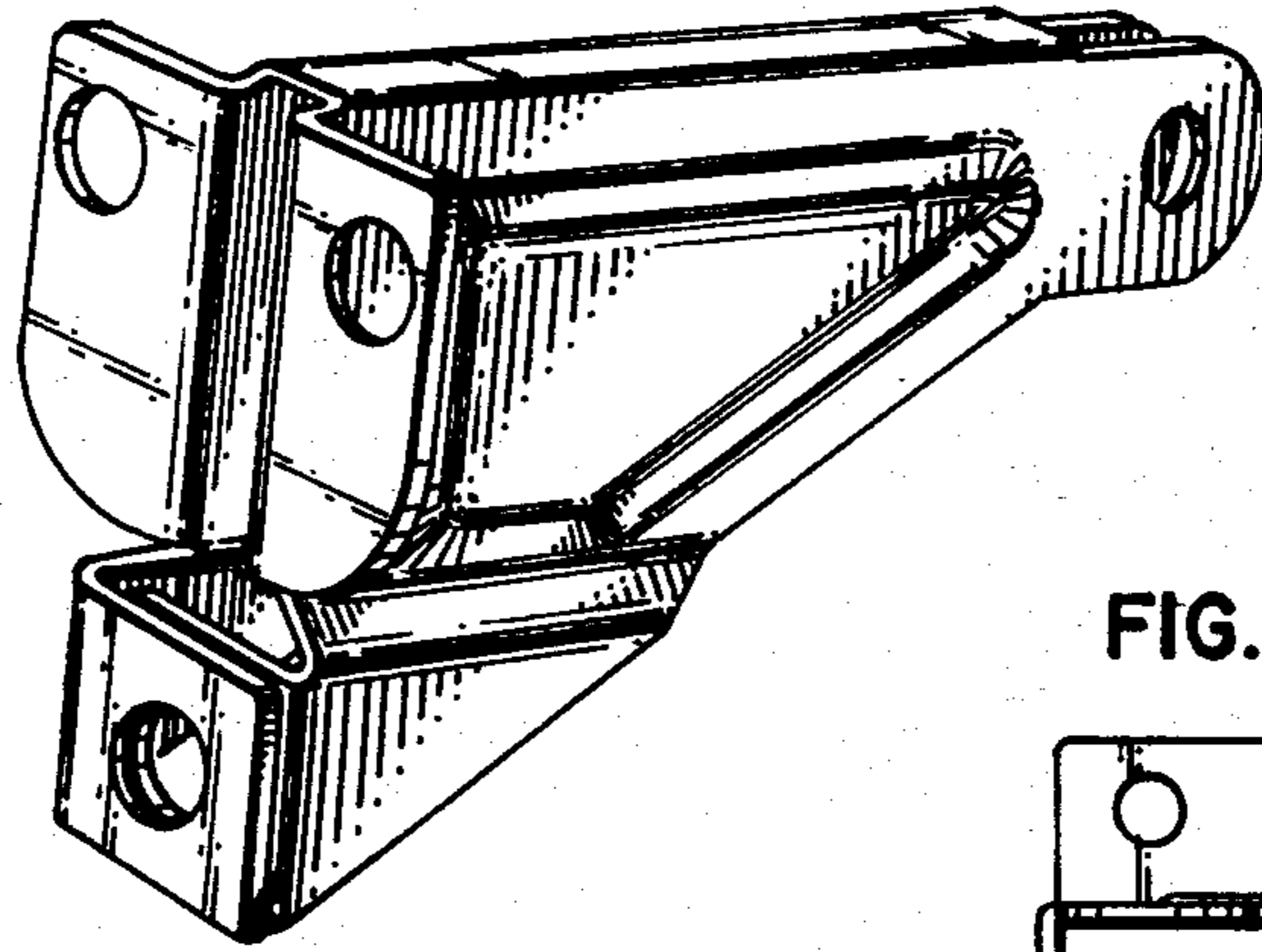


FIG. 6

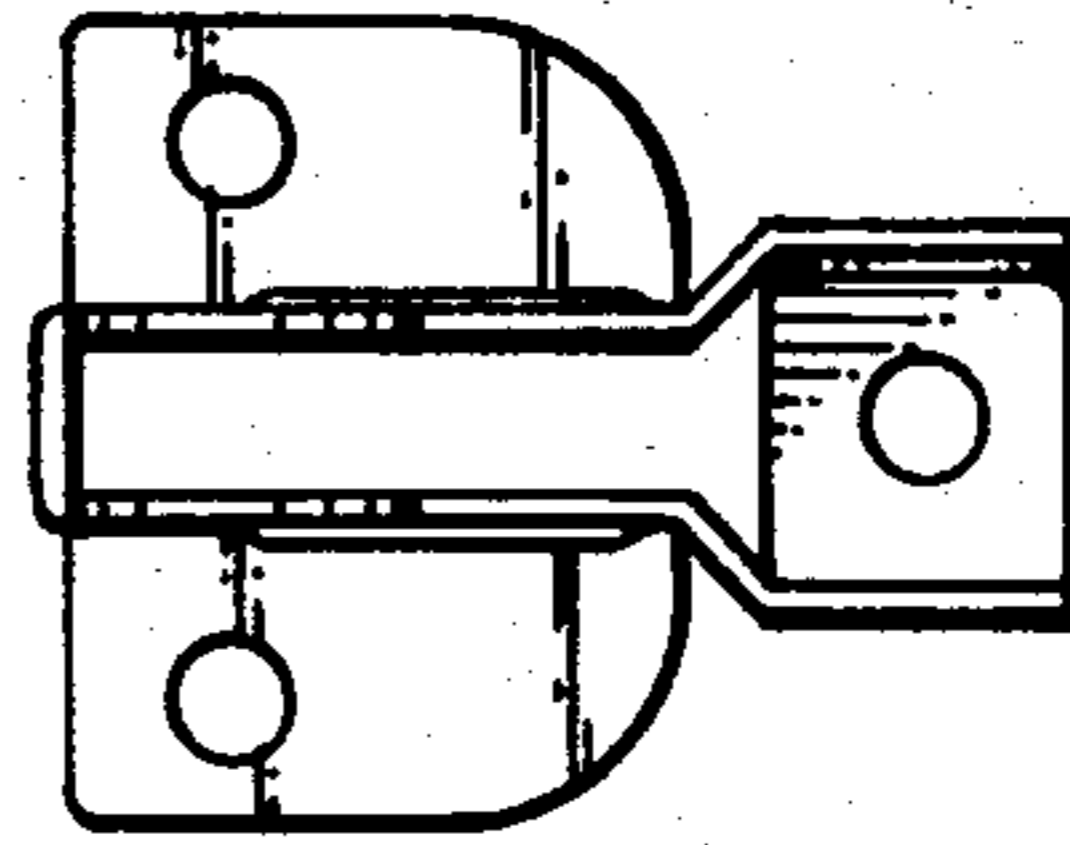


FIG. 3

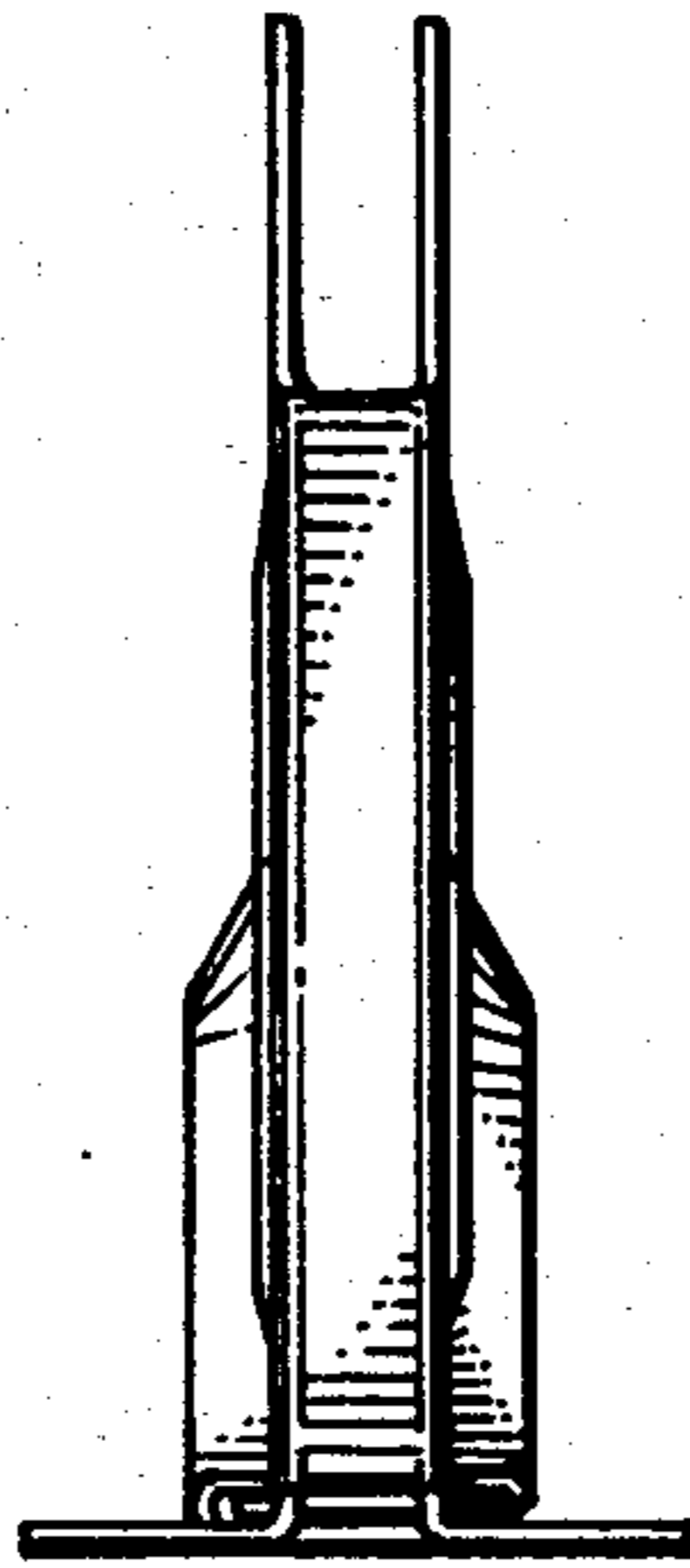


FIG. 2

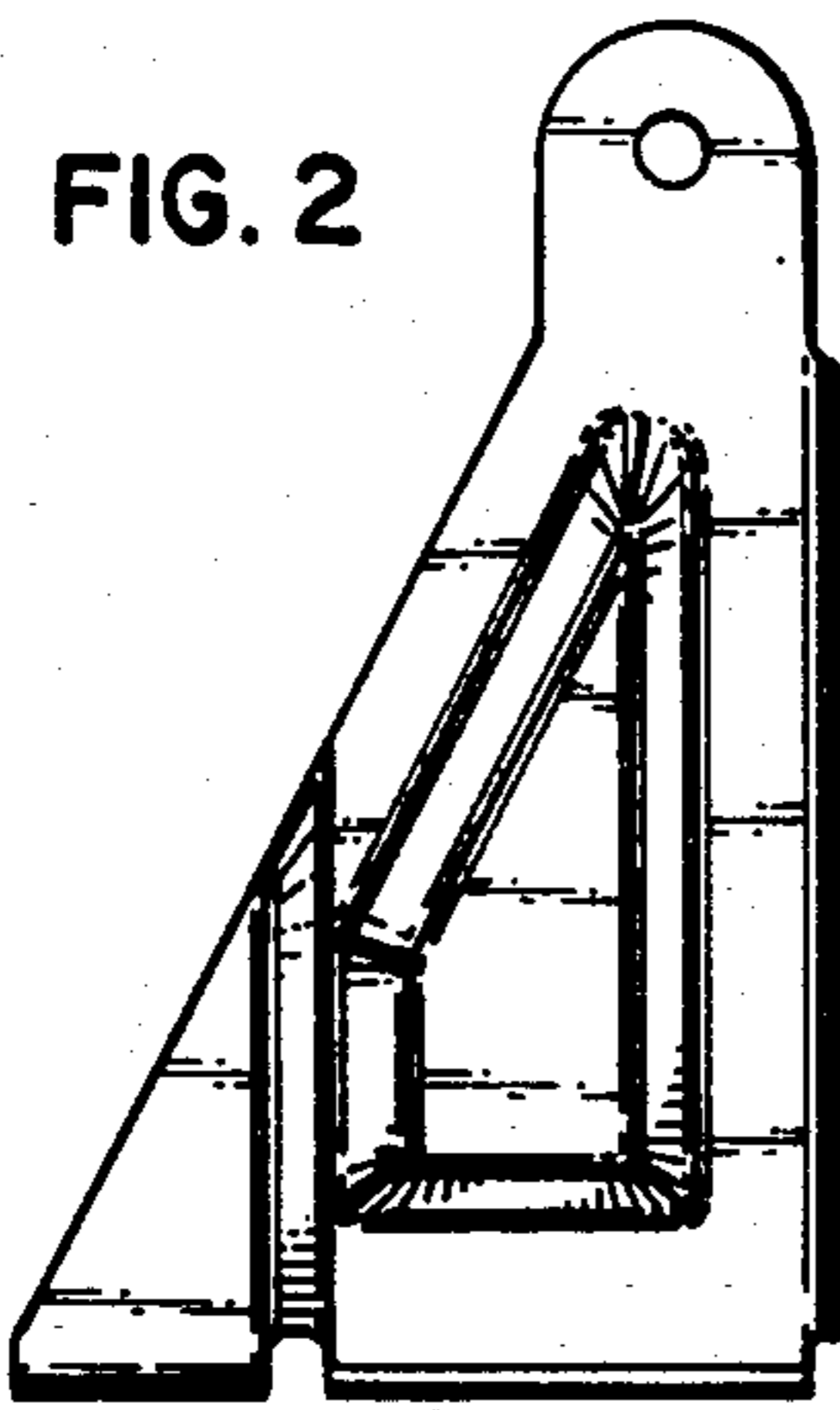


FIG. 4

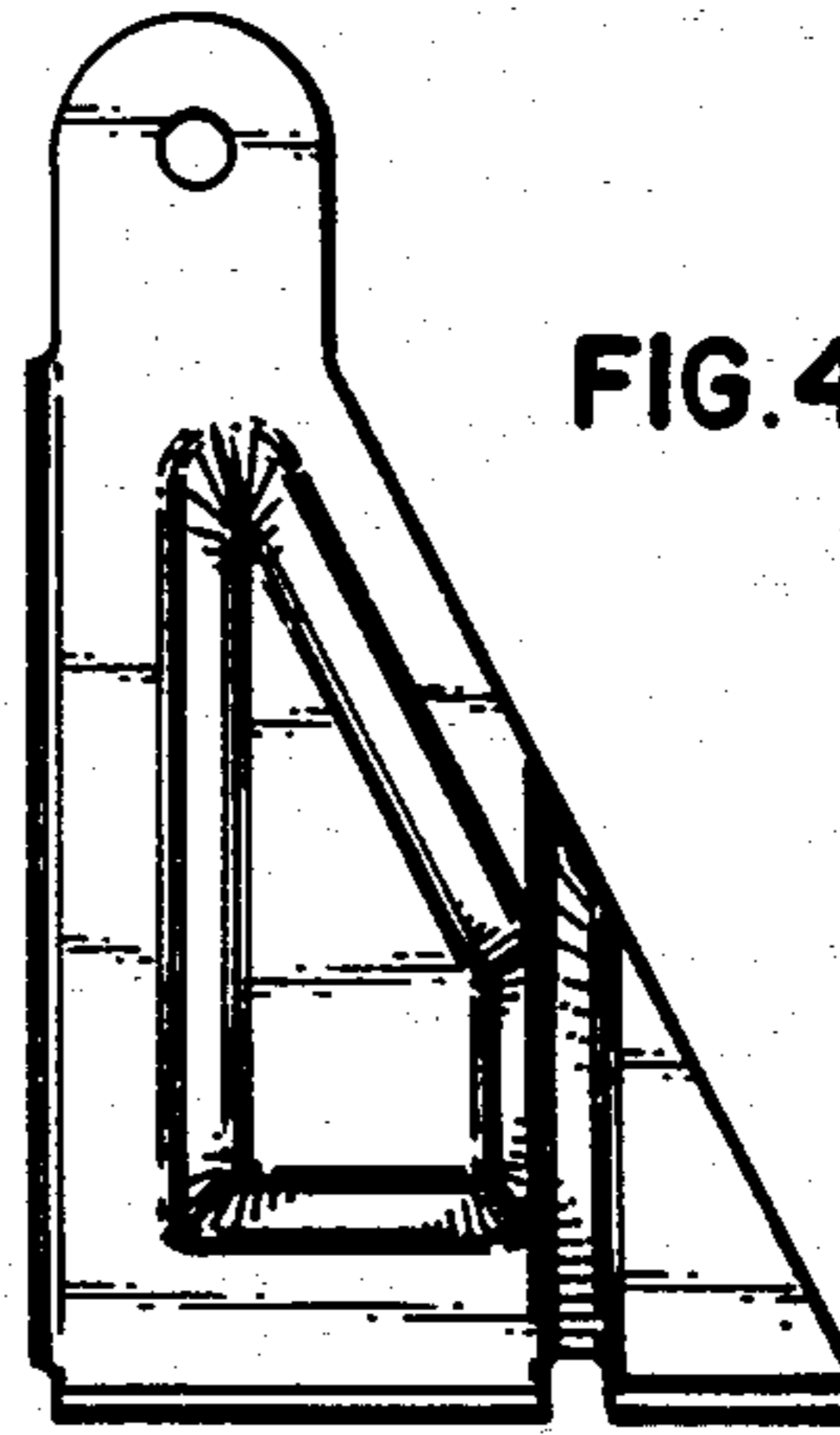


FIG. 5

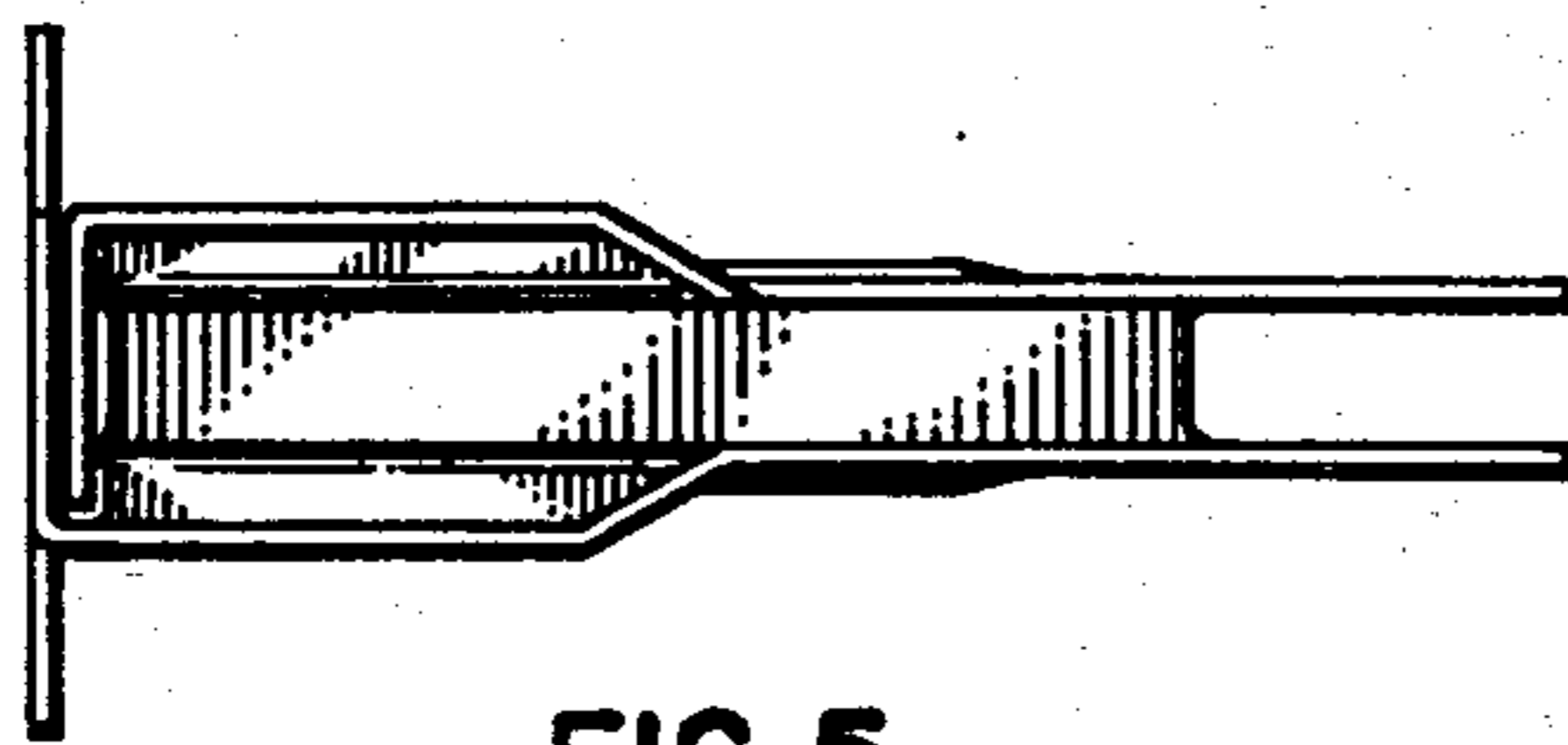


FIG. 7

