

[54] PORTABLE COLLAPSIBLE COMBINATION SINK AND STOVE

[76] Inventor: Ronald J. Basini, 932 Ideal Way, Charlotte, N.C. 28203

[**] Term: 14 Years

[21] Appl. No.: 562,719

[22] Filed: Dec. 19, 1983

[52] U.S. Cl. D7/334; D23/50

[58] Field of Search D7/323, 331-332, D7/334-347, 354, 387-388, 402-403; D23/50; 99/421-422, 425, 444, 447-450; 126/25 A, 25 AA, 25 B, 25 C, 25 R, 29-30, 9 A, 9 B, 9 R

[56] References Cited

U.S. PATENT DOCUMENTS

4,166,413 9/1979 Meszaros 126/25 R

OTHER PUBLICATIONS

Housewares, vol. 176, Jan. 1-7, 1979, p. 87, Silver Falcon Gas Grill. Mell Manufacturing Company, Pamphlet-received Jun. 29, 1964.

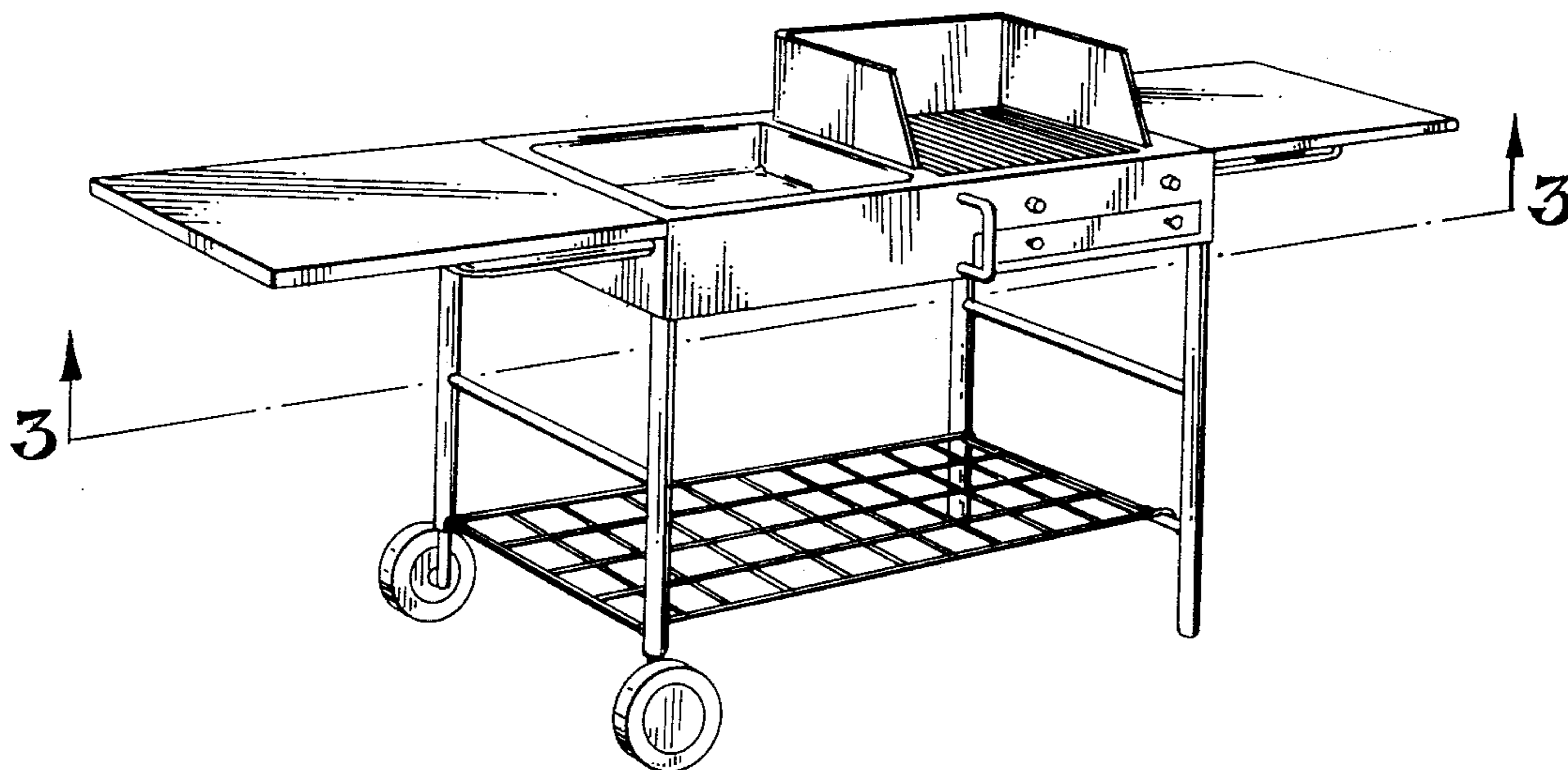
Primary Examiner—Catherine E. Kemper
Assistant Examiner—Ruth Takemoto
Attorney, Agent, or Firm—Bell, Seltzer, Park & Gibson

[57] CLAIM

The ornamental design for a portable collapsible combination sink and stove, as shown.

DESCRIPTION

FIG. 1 is a front perspective view of a portable collapsible combination sink and stove showing my new design;
FIG. 2 is a rear perspective view thereof on a reduced scale;
FIG. 3 is a reduced sectional view looking in the direction of lines 3—3 in FIG. 1.
FIG. 4 is a front perspective view showing the portable collapsible combination sink and stove in the collapsed condition.



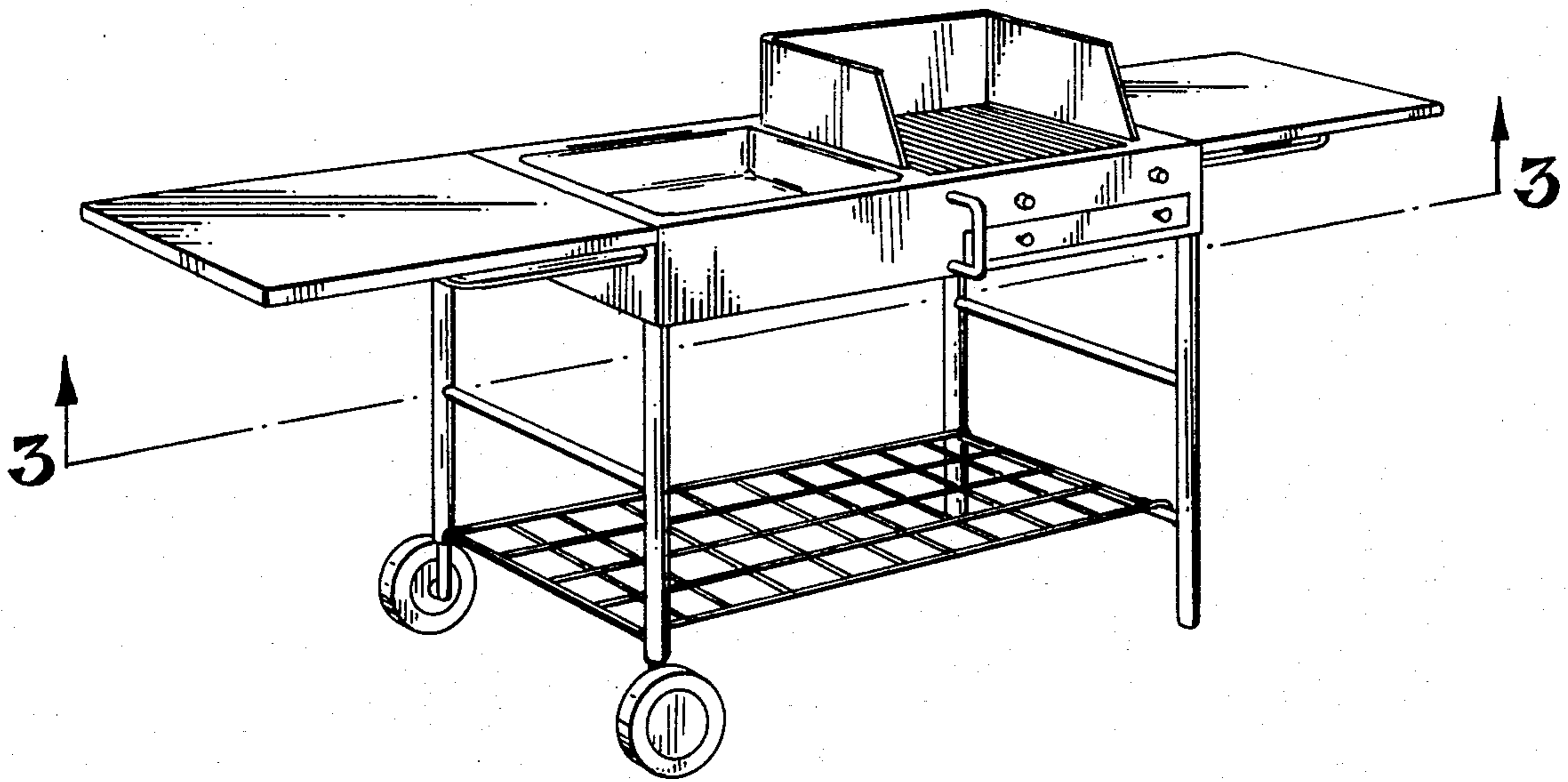


FIG-1

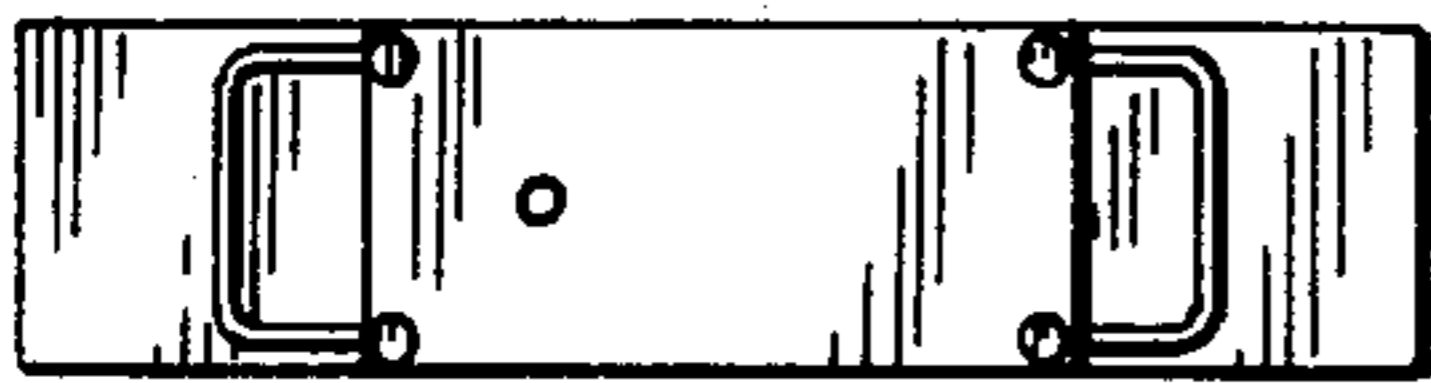


FIG-3

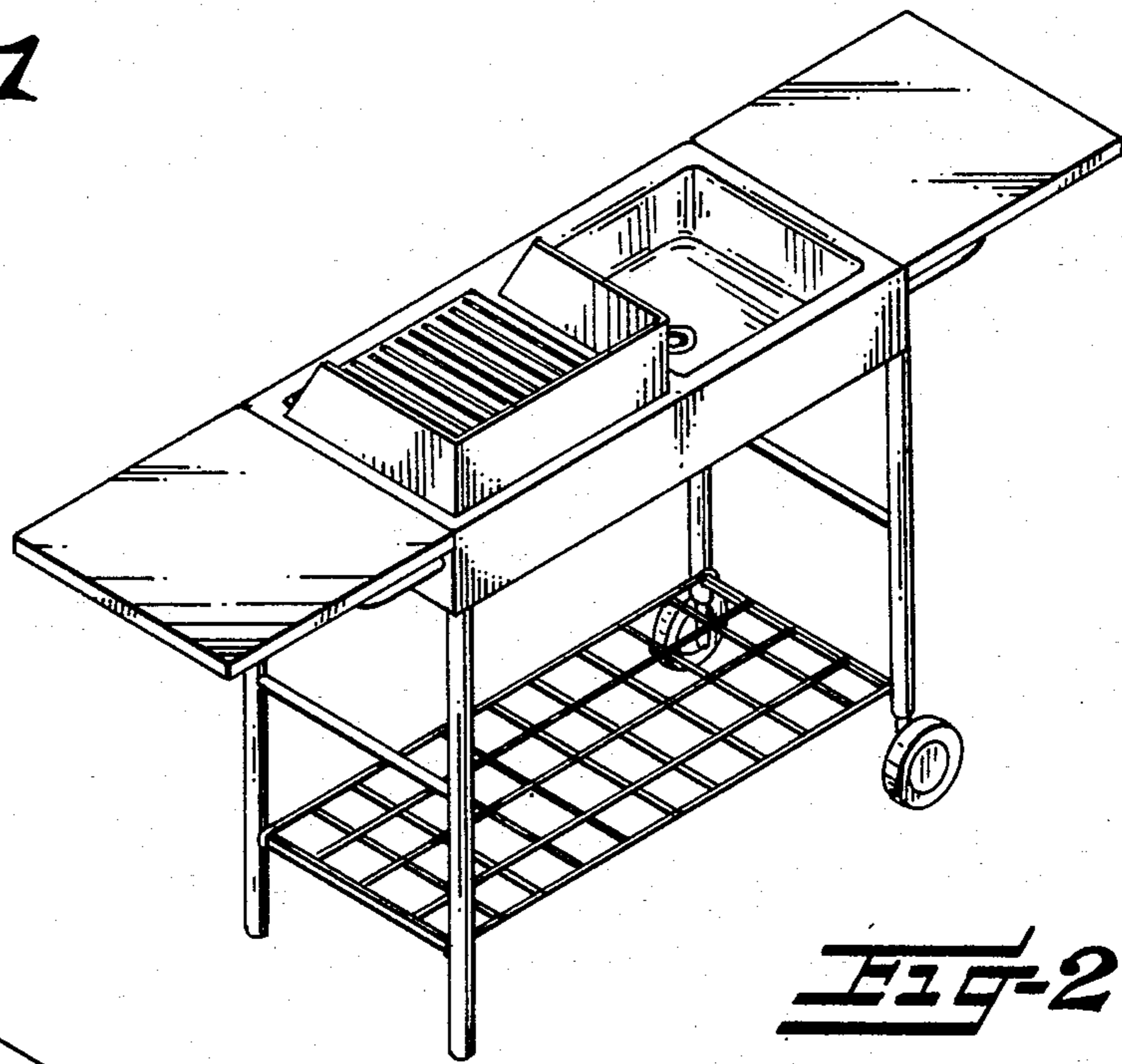


FIG-2

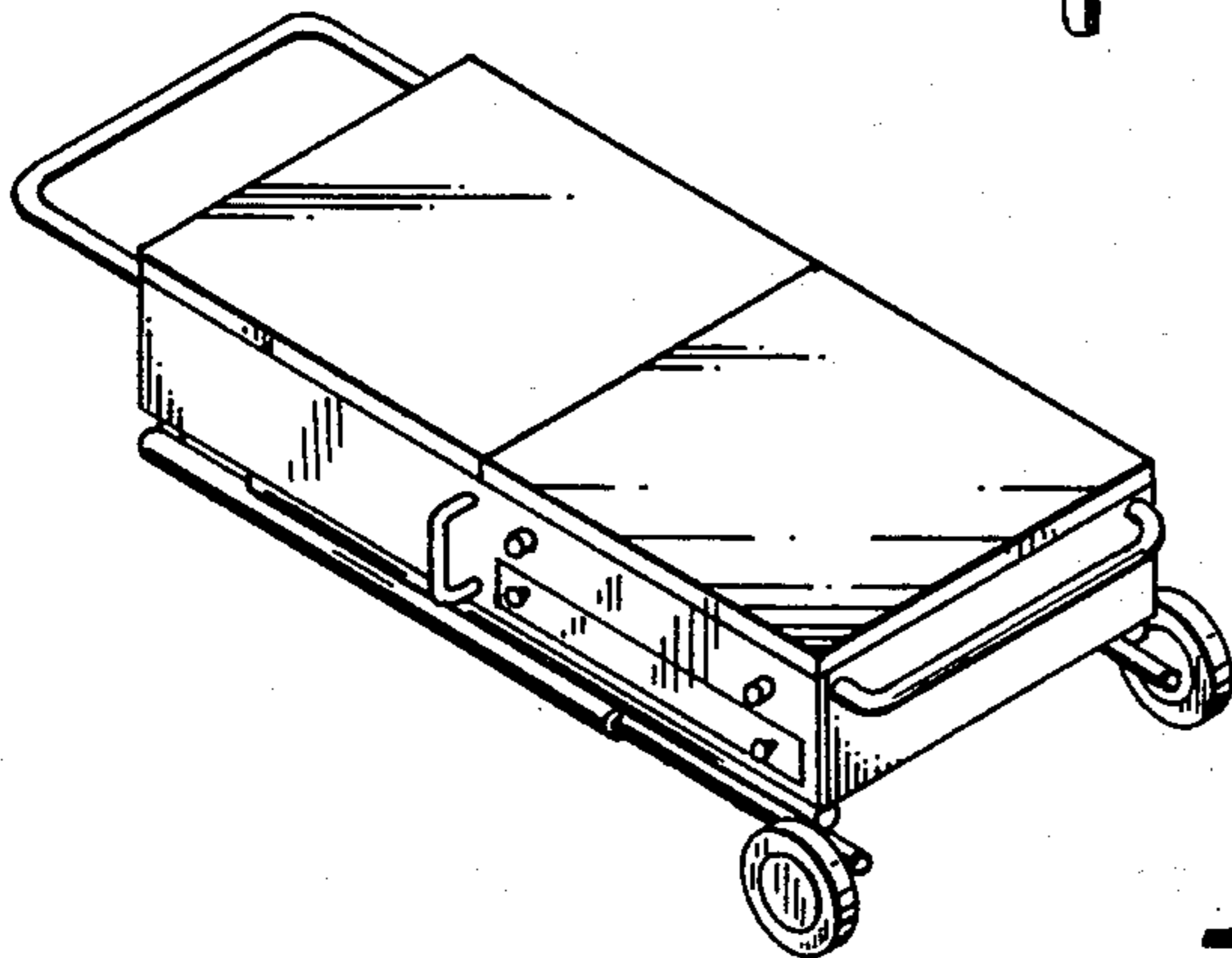


FIG-4