

[54] SPRING ACTUATED CHOP STICKS

[76] Inventor: Clive Hollinshead, 29572 Spotted Bull La., San Juan Capistrano, Calif. 92675

[\*\*] Term: 14 Years

[21] Appl. No.: 583,005

[22] Filed: Feb. 23, 1984

[52] U.S. Cl. .... D7/105; D7/105

[58] Field of Search ..... D32/61, 64; 294/99.2, 294/99.1; 24/499, 501

[56] References Cited

U.S. PATENT DOCUMENTS

- D. 188,125 6/1960 Zinn ..... D7/105
- D. 277,446 2/1985 Hollinshead ..... D7/105
- 2,279,934 4/1942 Wisecup ..... D32/64 X
- 3,937,510 2/1976 Lew ..... D7/105 X

FOREIGN PATENT DOCUMENTS

1094052 12/1954 France ..... 24/501

Primary Examiner—Bernard Ansher  
Assistant Examiner—Terry Pfeffer  
Attorney, Agent, or Firm—Wm. Jacquet Gribble

[57] CLAIM

The ornamental design for spring actuated chop sticks, as shown and described.

DESCRIPTION

FIG. 1 is a top plan view of spring actuated chop sticks showing my new design;  
FIG. 2 is a side elevational view thereof;  
FIG. 3 is a bottom plan view thereof;  
FIG. 4 is a left end view thereof;  
FIG. 5 is a right end view thereof; and  
FIG. 6 is a transverse sectional elevational view taken along line 6—6 of FIG. 2.  
The side elevation not shown is a mirror image of the side elevation shown.

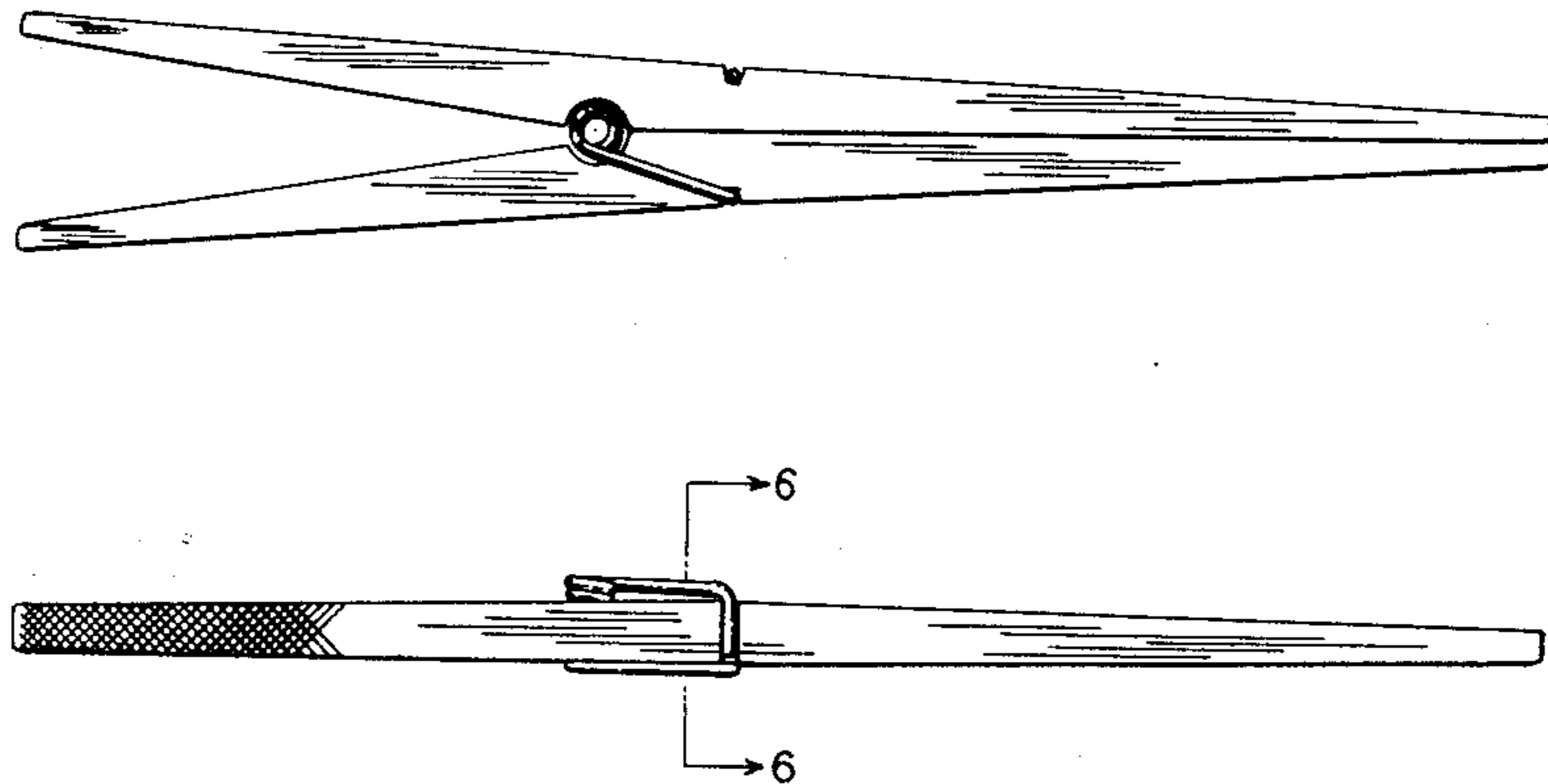


FIG. 2.

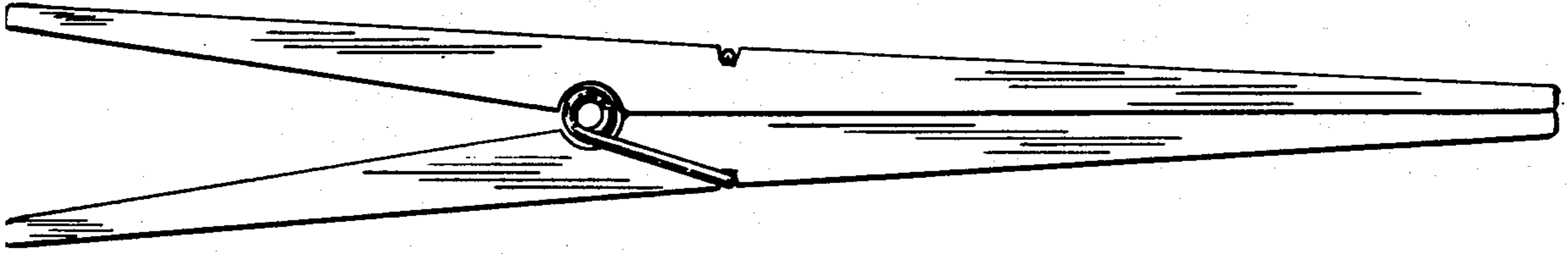


FIG. 1.

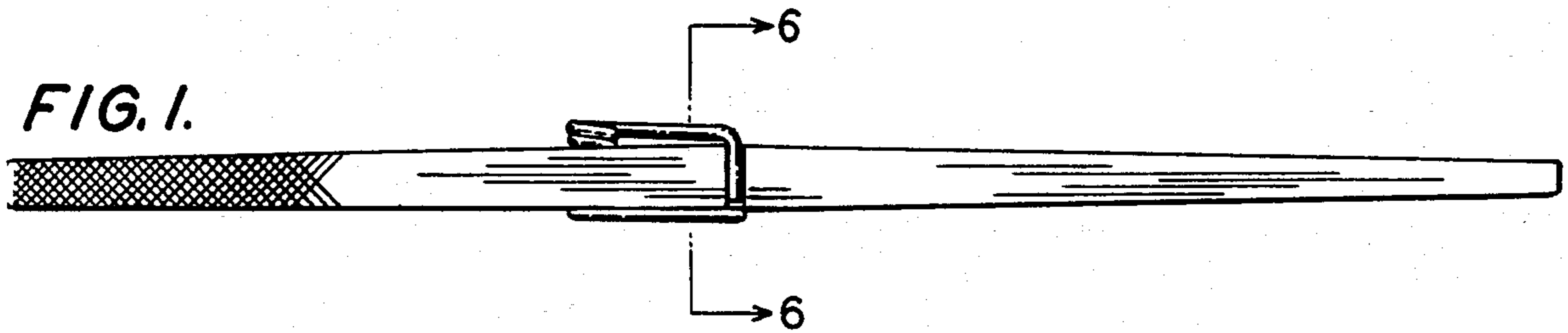


FIG. 3.

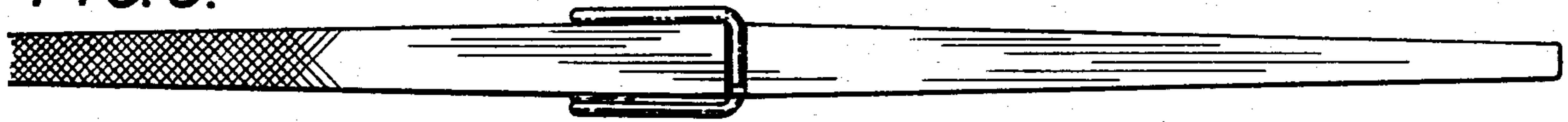


FIG. 4.

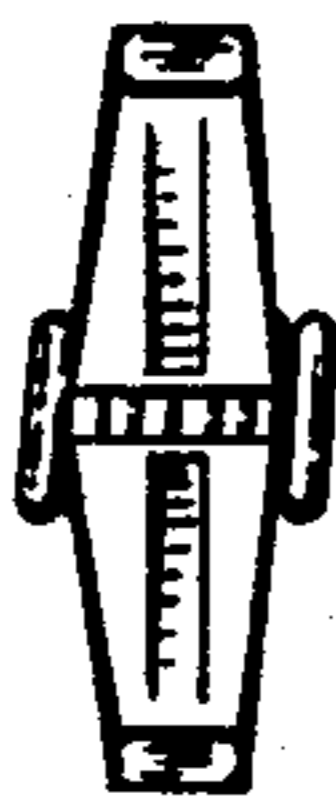


FIG. 5.



FIG. 6.

