

[54] **UTENSIL RACK**

[75] Inventor: **John R. Paulus**, Wichita, Kans.

[73] Assignee: **Pizza Hut, Inc.**, Wichita, Kans.

[**] Term: **14 Years**

[21] Appl. No.: **578,706**

[22] Filed: **Feb. 9, 1984**

[52] U.S. Cl. **D7/74**

[58] Field of Search **D7/74, 73; D6/467;**
211/70.7, 60.1, 70.6

2,955,789 10/1960 Smith 211/70.7 X
4,071,212 1/1978 Burrows et al. D7/74 X

Primary Examiner—Bernard Ansher
Assistant Examiner—Terry Pfeffer
Attorney, Agent, or Firm—Willian, Brinks, Olds, Hofer,
Gilson & Lione Ltd.

[57] **CLAIM**

The ornamental design for a utensil rack, substantially as shown.

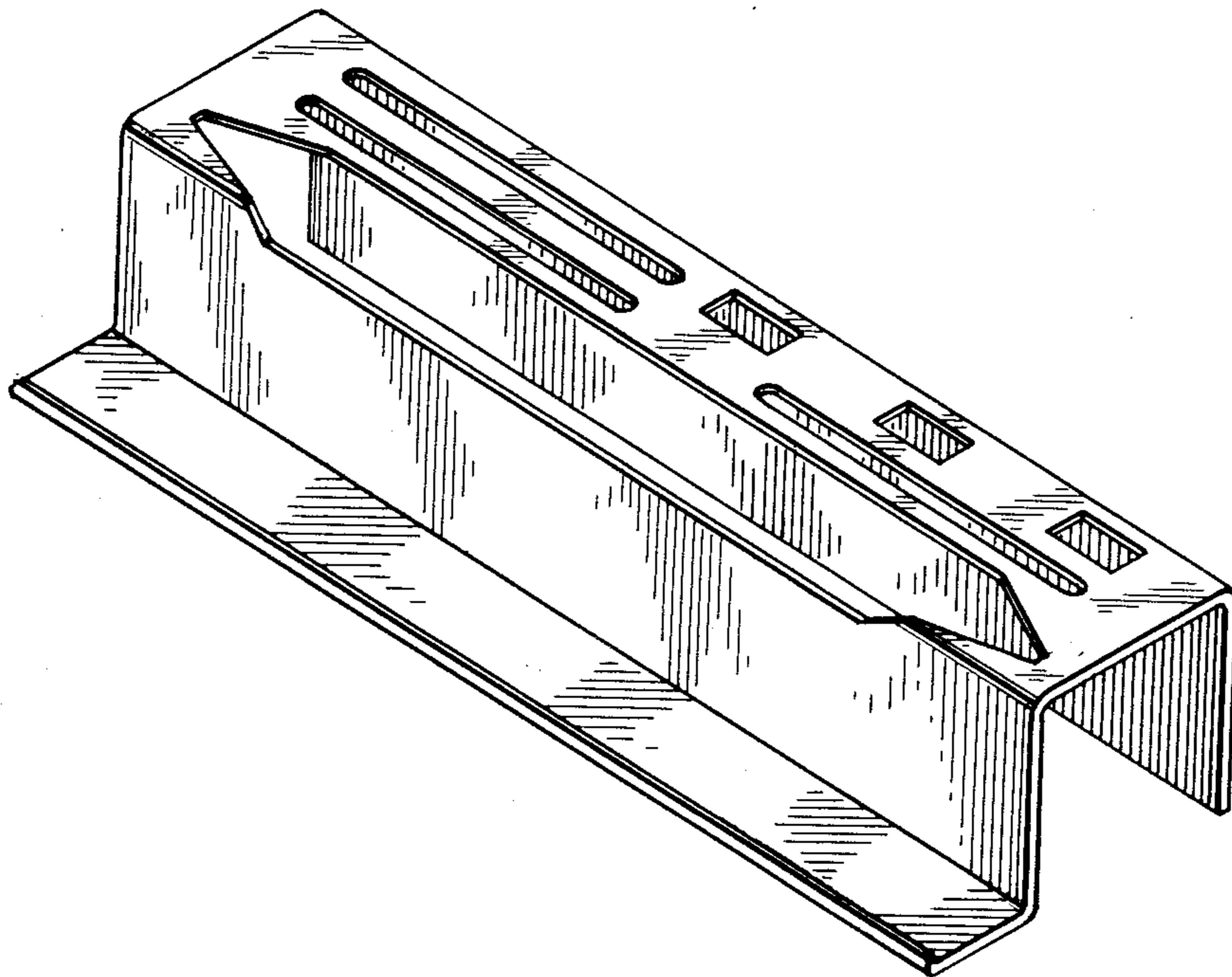
DESCRIPTION

FIG. 1 is a top, front, left side perspective view of a utensil rack showing my new design;
FIG. 2 is a top plan view thereof;
FIG. 3 is a left side elevational view thereof; and
FIG. 4 is a front elevational view thereof, the opposite side being a mirror image.
The undisclosed right side is plane and unornamented.

[56] **References Cited**

U.S. PATENT DOCUMENTS

- D. 156,823 1/1950 Glukes D7/74
- D. 236,555 8/1975 Becker et al. D3/30.1
- 326,193 9/1885 Barber 211/70.6 X
- 1,876,284 9/1932 Fried 211/70.7 X



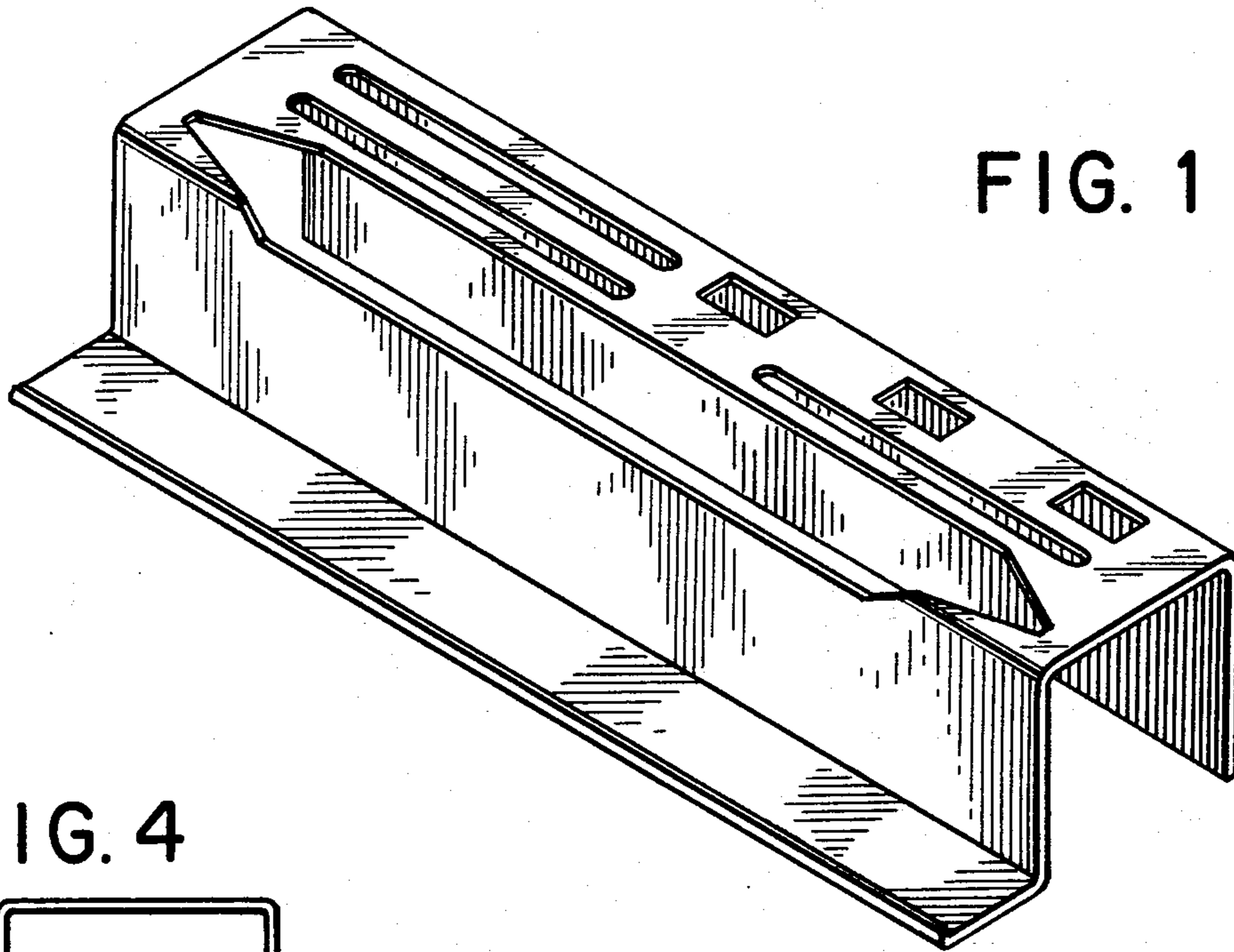


FIG. 1

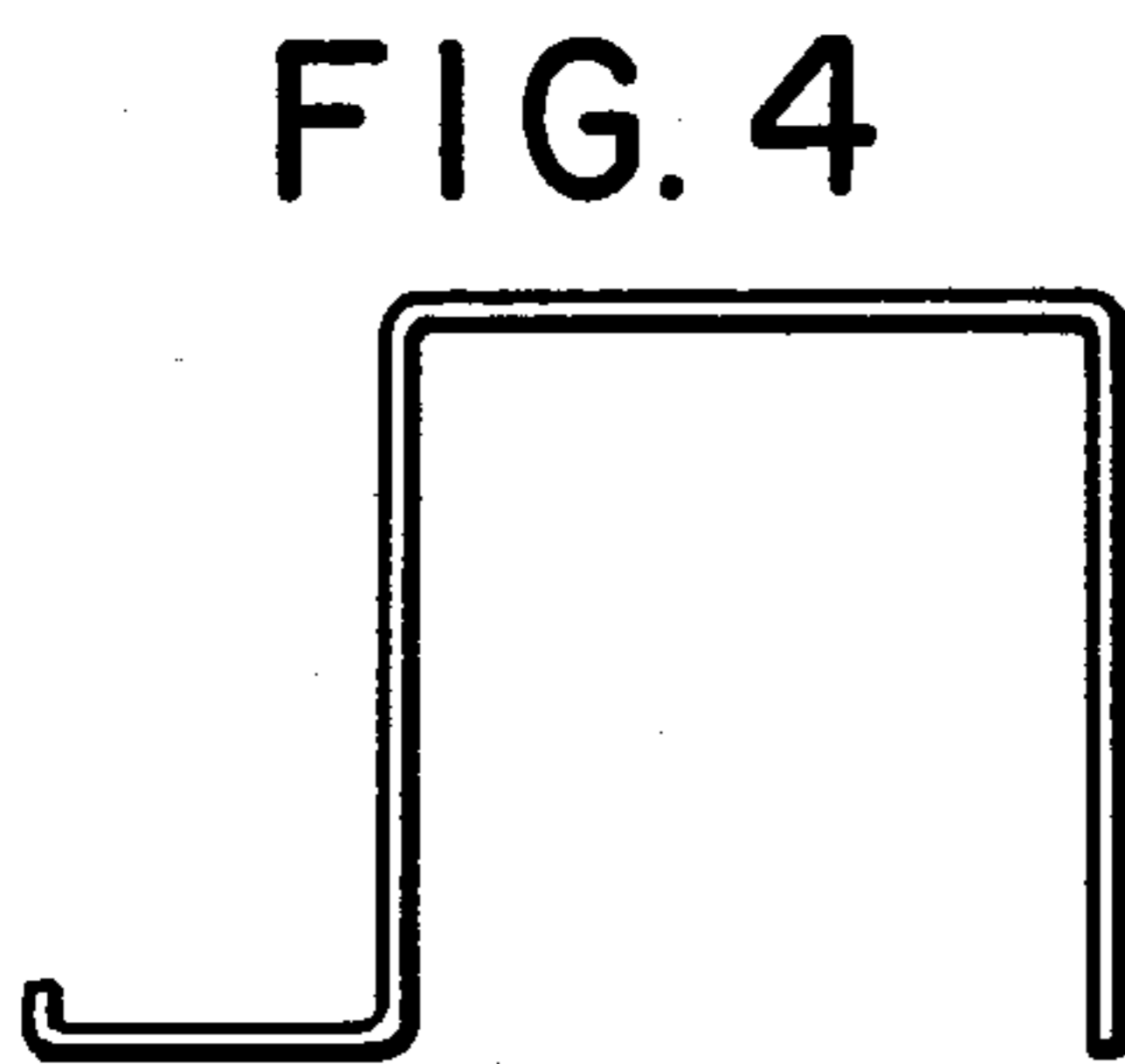


FIG. 4

FIG. 2

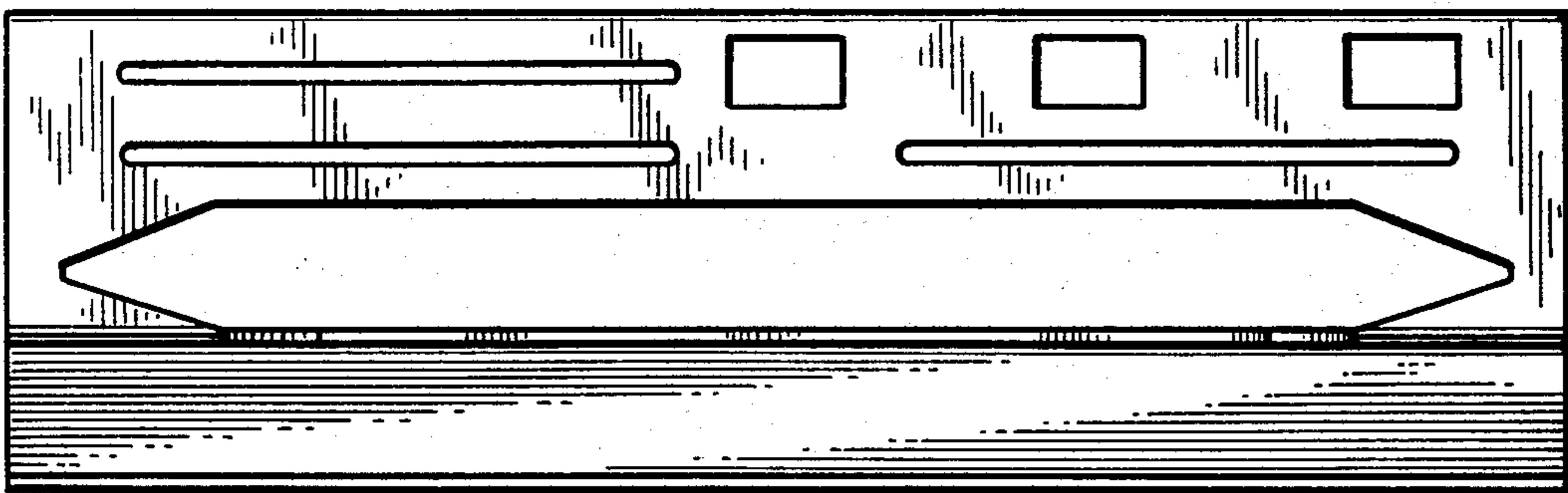


FIG. 3

