

[54] **MUG OR SIMILAR ARTICLE**

[75] **Inventor: Lawrence J. Miller, Oregon, Ohio**

[73] **Assignee: Owens-Illinois, Inc., Toledo, Ohio**

[**] **Term: 14 Years**

[21] **Appl. No.: 512,069**

[22] **Filed: Jul. 8, 1983**

[52] **U.S. Cl. D7/9; D7/13**

[58] **Field of Search D7/9, 10, 7, 3, 11, D7/12, 13, 22**

[56] **References Cited**

U.S. PATENT DOCUMENTS

- D. 188,802 9/1960 Miller D7/9
- D. 223,503 4/1972 Simmons D7/9
- D. 258,572 3/1981 Kaplan D7/9 X

OTHER PUBLICATIONS

Hall China Co. Catalog, #SM-373, p. 3, #1272 Irish Coffee Mug at left.

Woodward & Lothrop Entertaining, Cat. p. 18, Item 18D, left-center panel, "Colony" Irish Coffee Mugs.

Bloomingtondale's Home/Living Cat., Vol. II, p. 11, #11E Pedestal Mugs, left mid. panel.

*Primary Examiner—Winifred E. Herrmann
Attorney, Agent, or Firm—John R. Nelson*

[57] **CLAIM**

The ornamental design for a mug or similar article, substantially as shown and described.

DESCRIPTION

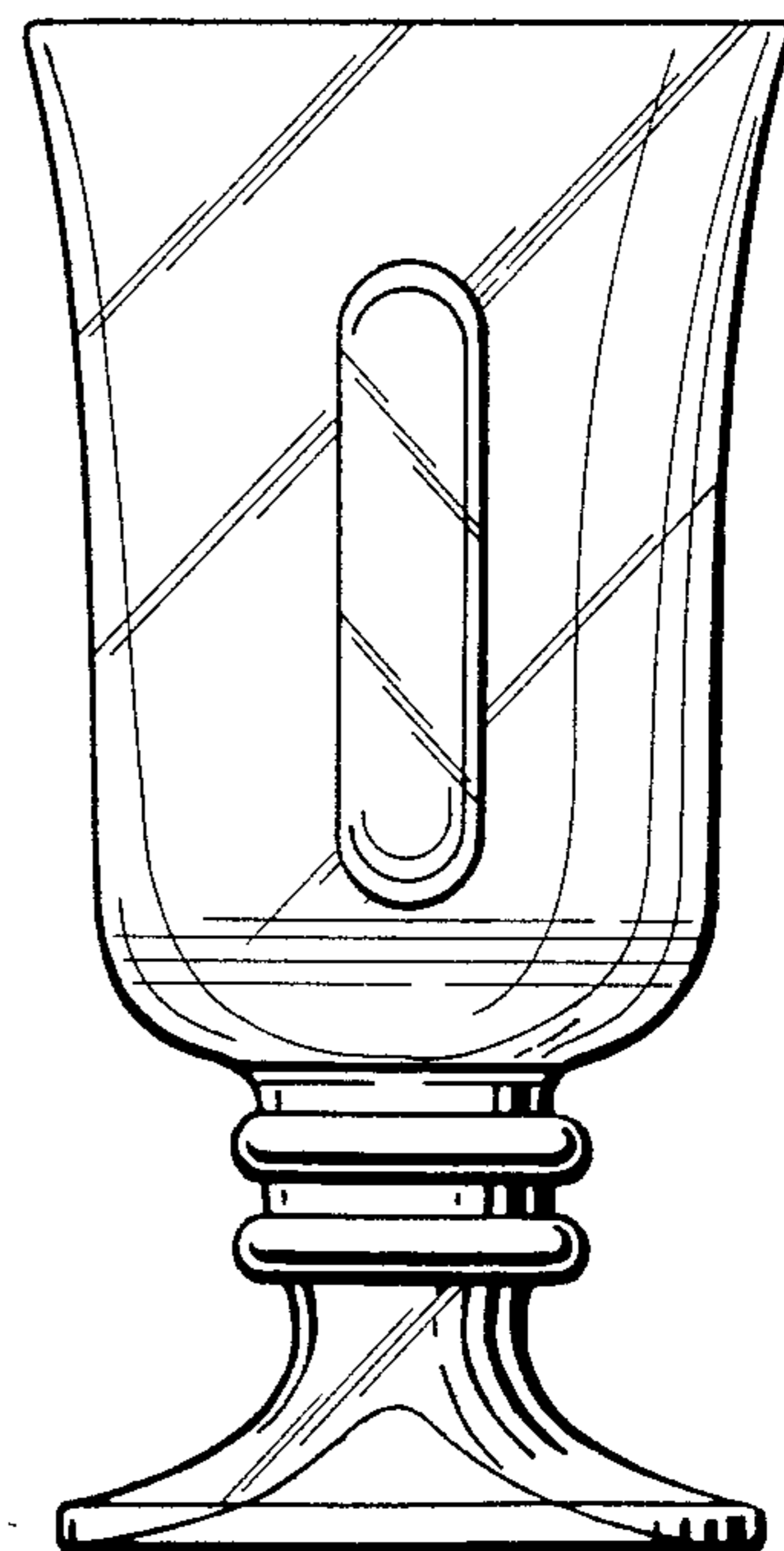
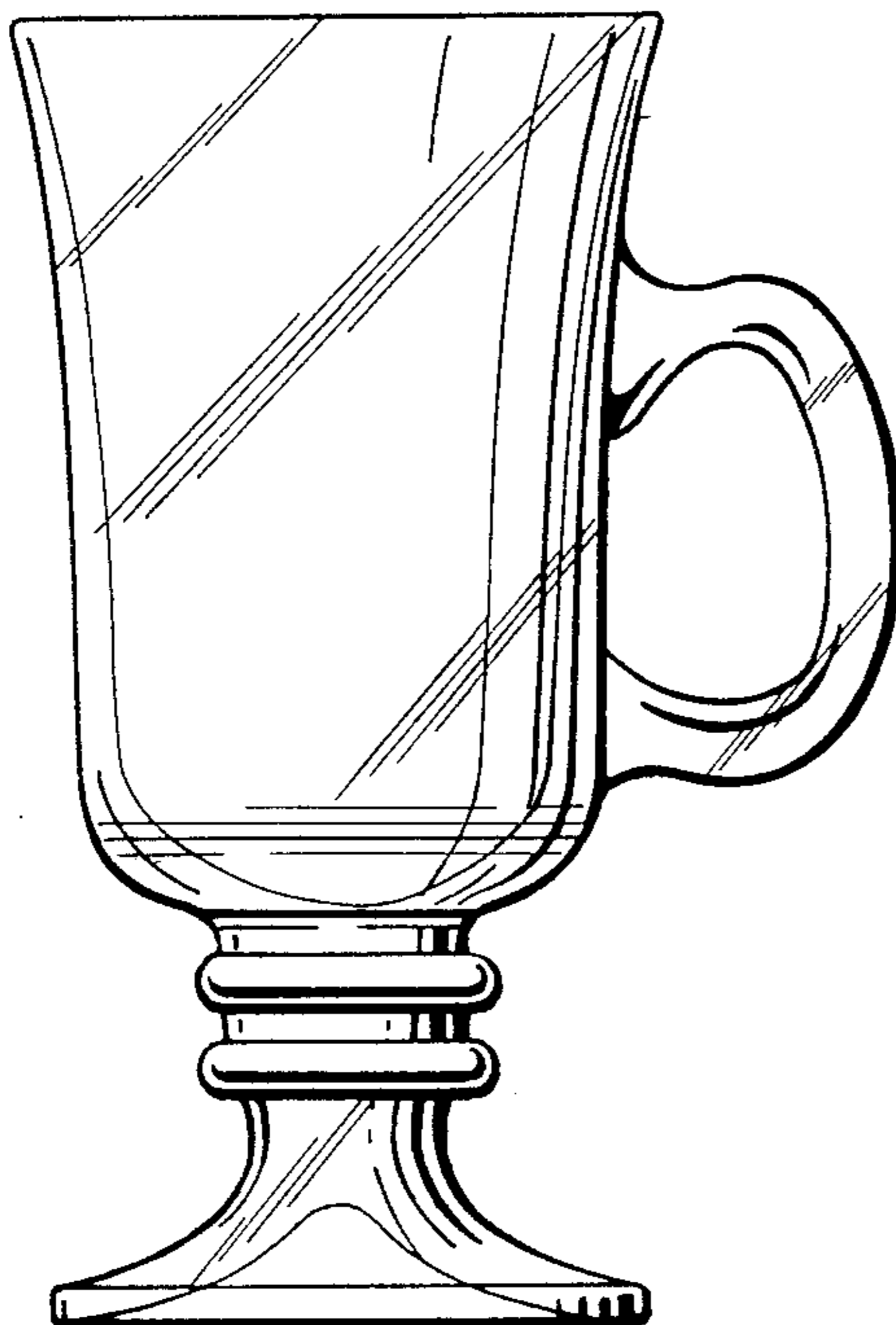
FIG. 1 is a front elevational view of a mug or similar showing my new design, the rear elevational view is a mirror image thereof;

FIG. 2 is a top view thereof.

FIG. 3 is an elevational view taken at the right side of FIG. 1.

FIG. 4 is an elevational view taken at the left side of FIG. 1.

FIG. 5 is a bottom plan view.



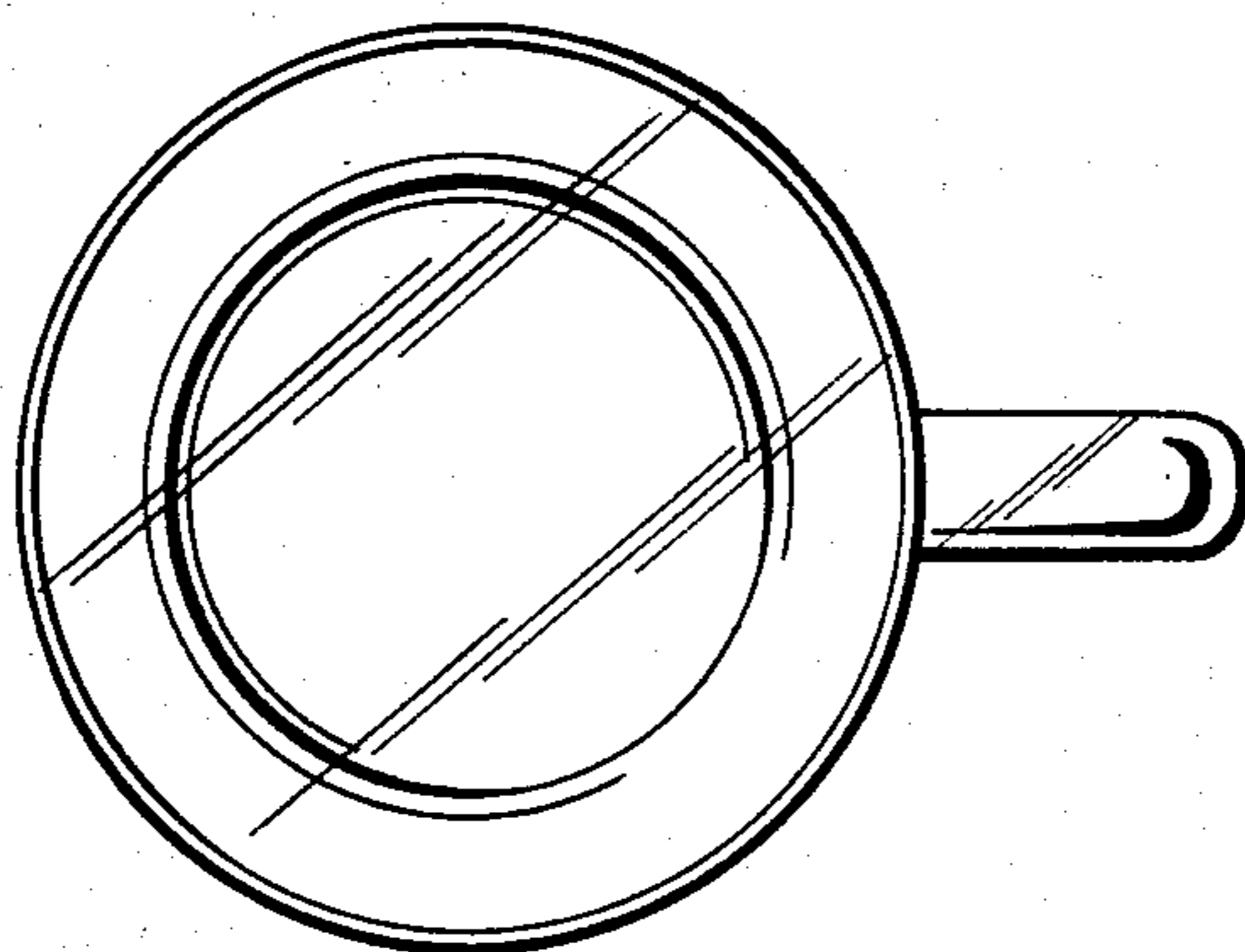


FIG. 2

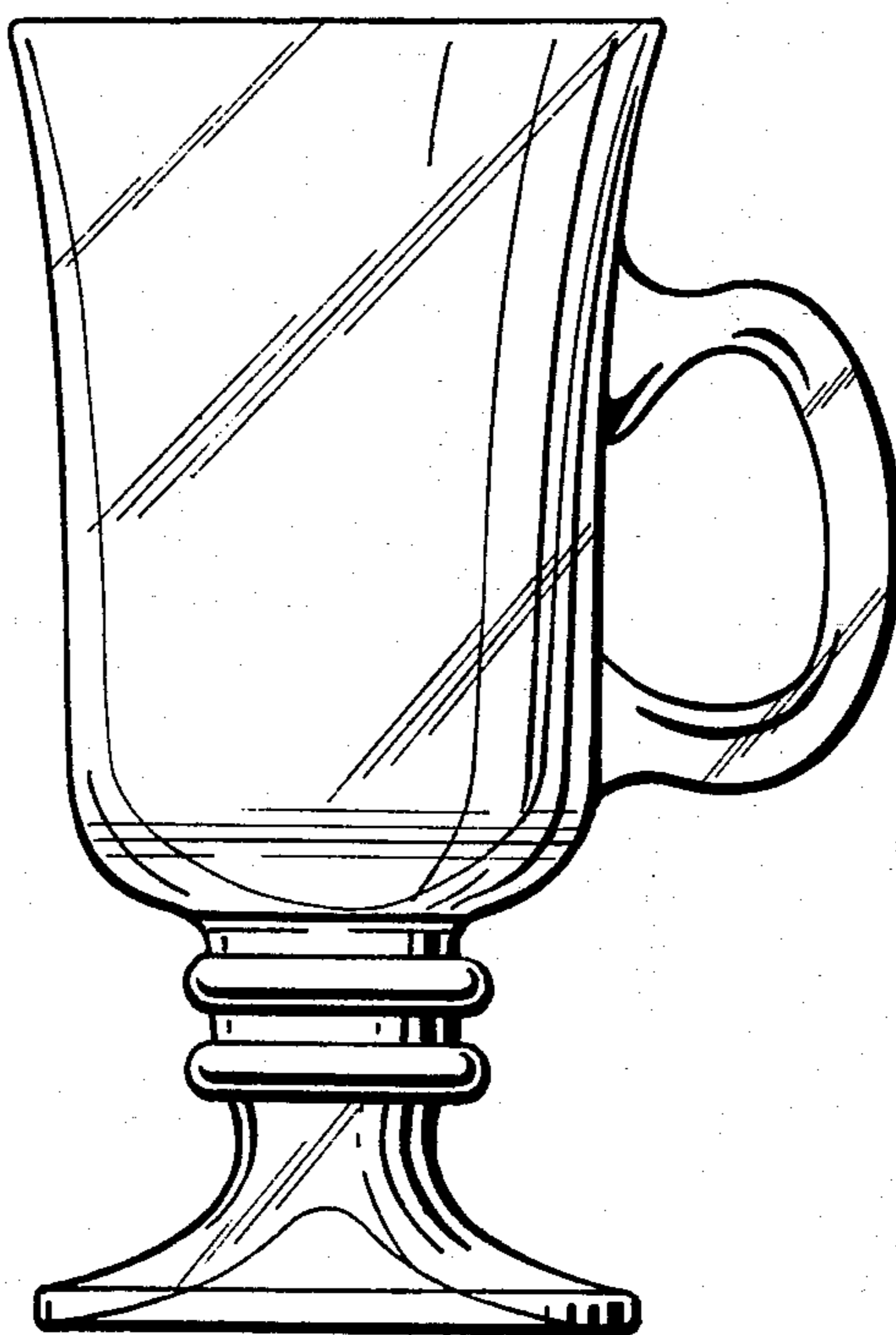


FIG. 1

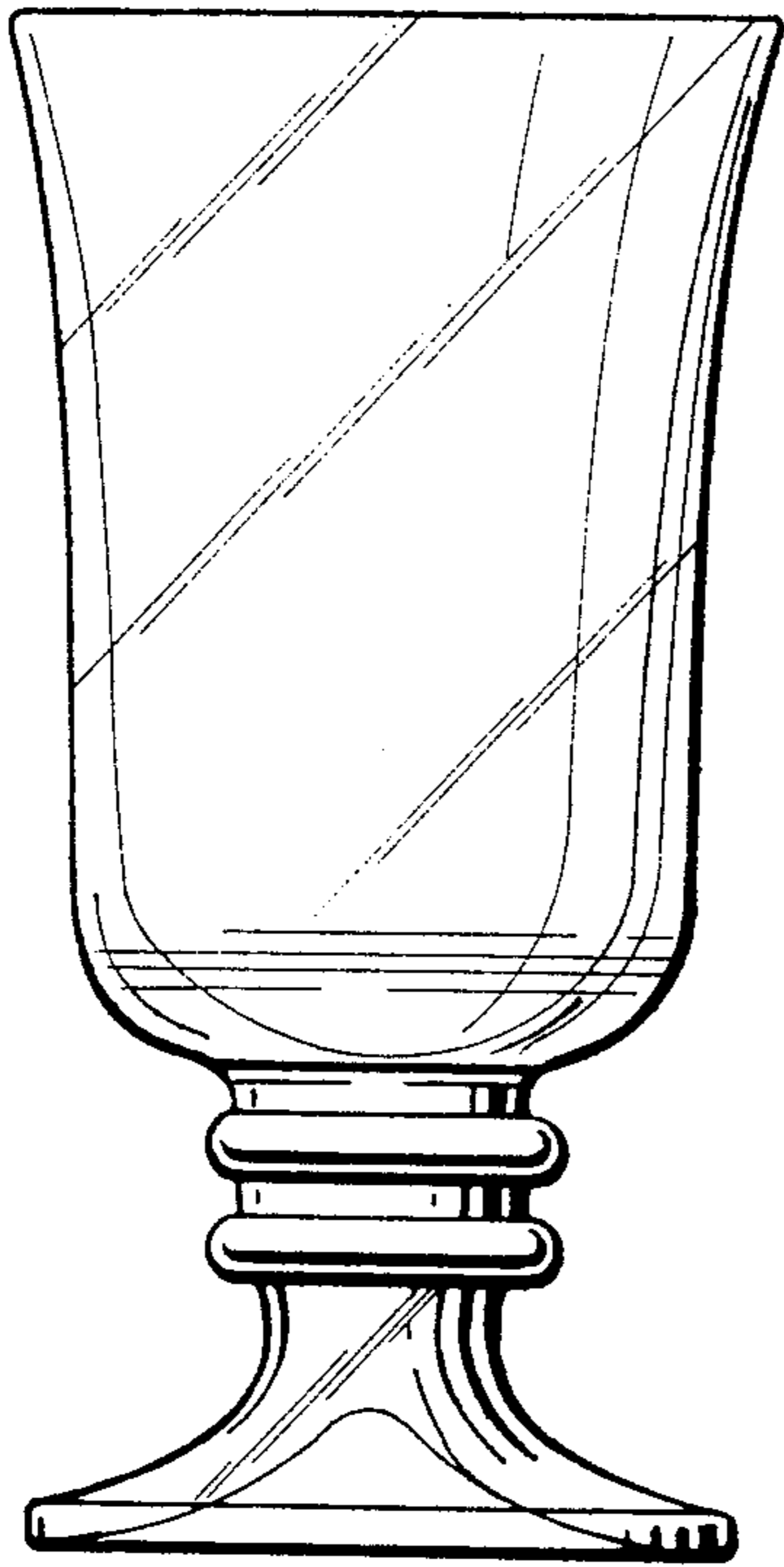


FIG. 4

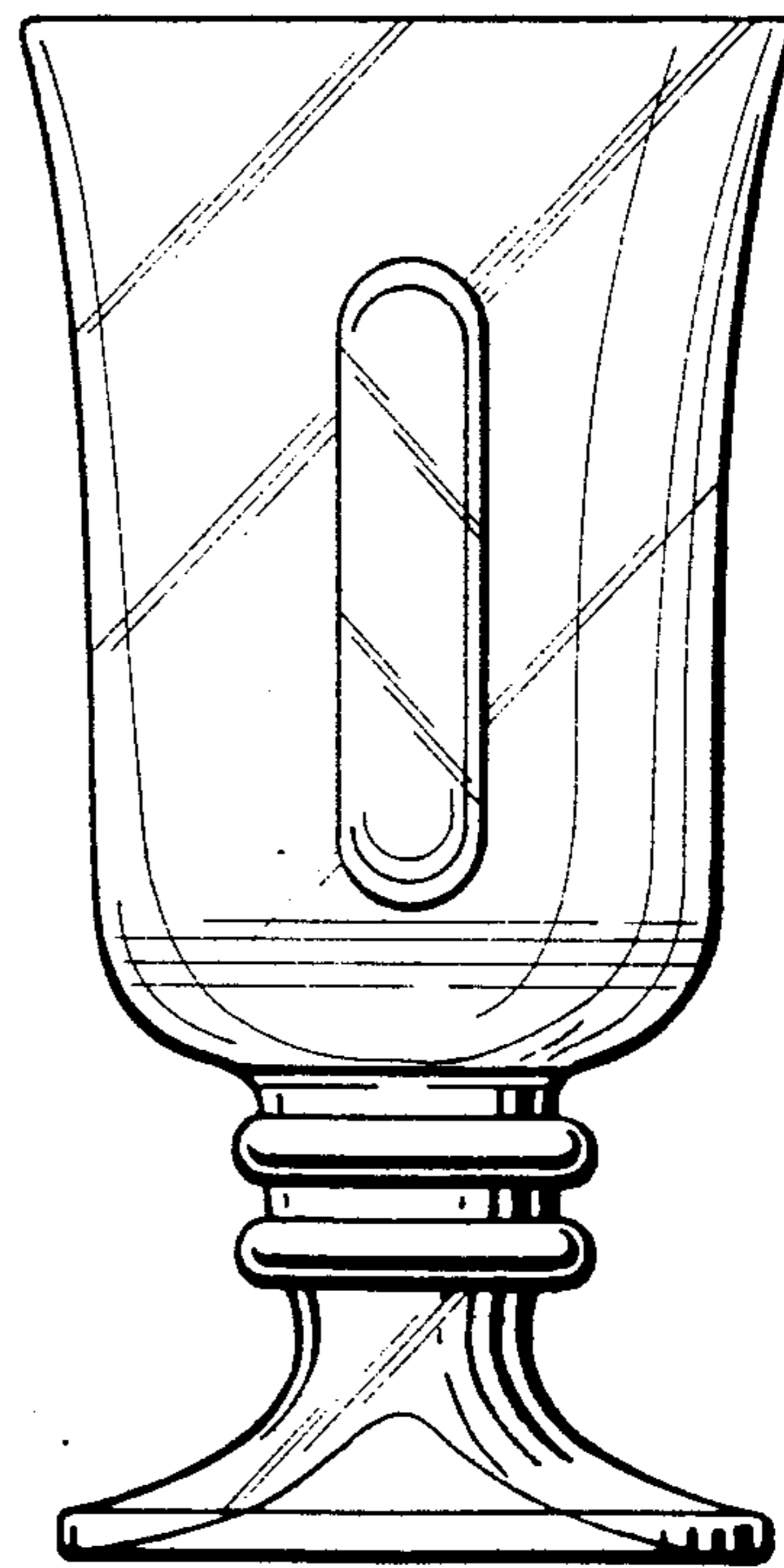


FIG. 3

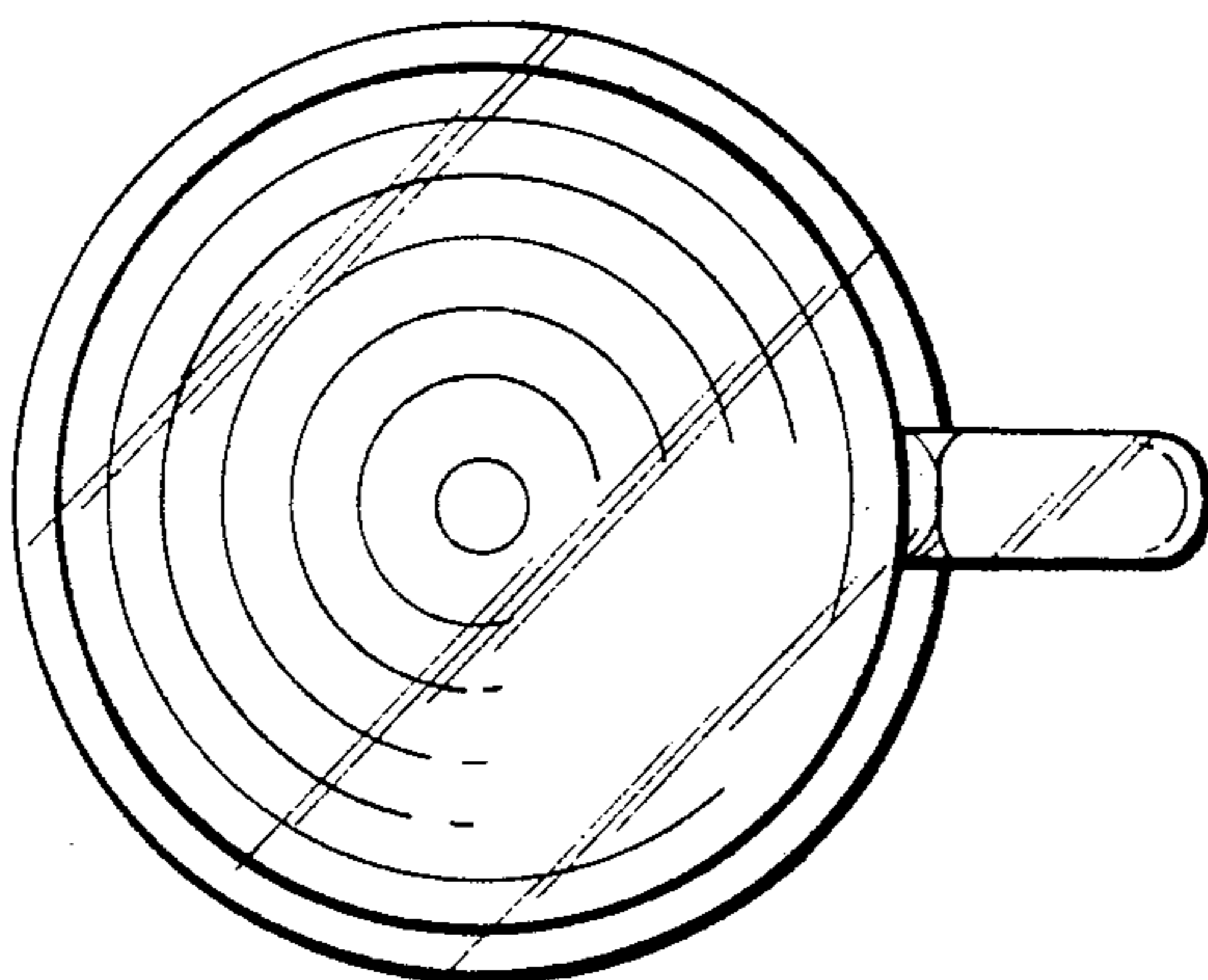


FIG. 5