

[54] STORAGE RACK FOR COVERS FOR CONTAINERS

[75] Inventors: Dominick Loscalzo, Whitestone; Howard W. Michaelson, Coram, both of N.Y.

[73] Assignee: Dart Industries Inc., Northbrook, Ill.

[**] Term: 14 Years

[21] Appl. No.: 549,337

[22] Filed: Nov. 4, 1983

[52] U.S. Cl. D6/573

[58] Field of Search D6/310, 314, 320, 323, D6/512, 513, 515, 517, 524, 525, 526, 536, 540, 552, 553, 546, 555, 559, 562, 566, 567, 569, 570, 571, 573, 574; 211/13, 32, 35, 40, 41, 46, 218, 59.2, 60.1, 68, 70.5, 70.6, 71, 72, 74, 75, 87, 88, 104, 105, 106, 113, 126, 117, 133, 181; 248/158, 75, 309.1, 111, 312, 312.1, 313, 314; 221/197, 282

[56] References Cited

U.S. PATENT DOCUMENTS

- 20,795 6/1891 Lawton .
D. 80,438 2/1930 Fordyce .

- D. 93,330 9/1934 Cutler D6/553
D. 106,425 10/1937 Connor .
D. 141,423 5/1945 Lewis D33/18
D. 172,363 6/1954 Rosenbaum D6/314
D. 198,318 6/1964 Grasso D33/3
D. 242,621 12/1976 Curran D23/150
D. 244,816 6/1977 Pierce D6/573
D. 250,682 1/1979 Craven D6/552
1,204,344 11/1916 Dalton .
1,755,654 4/1930 Kottke .
2,636,633 4/1953 Carlson 211/88
3,189,185 6/1965 Grasso 211/59

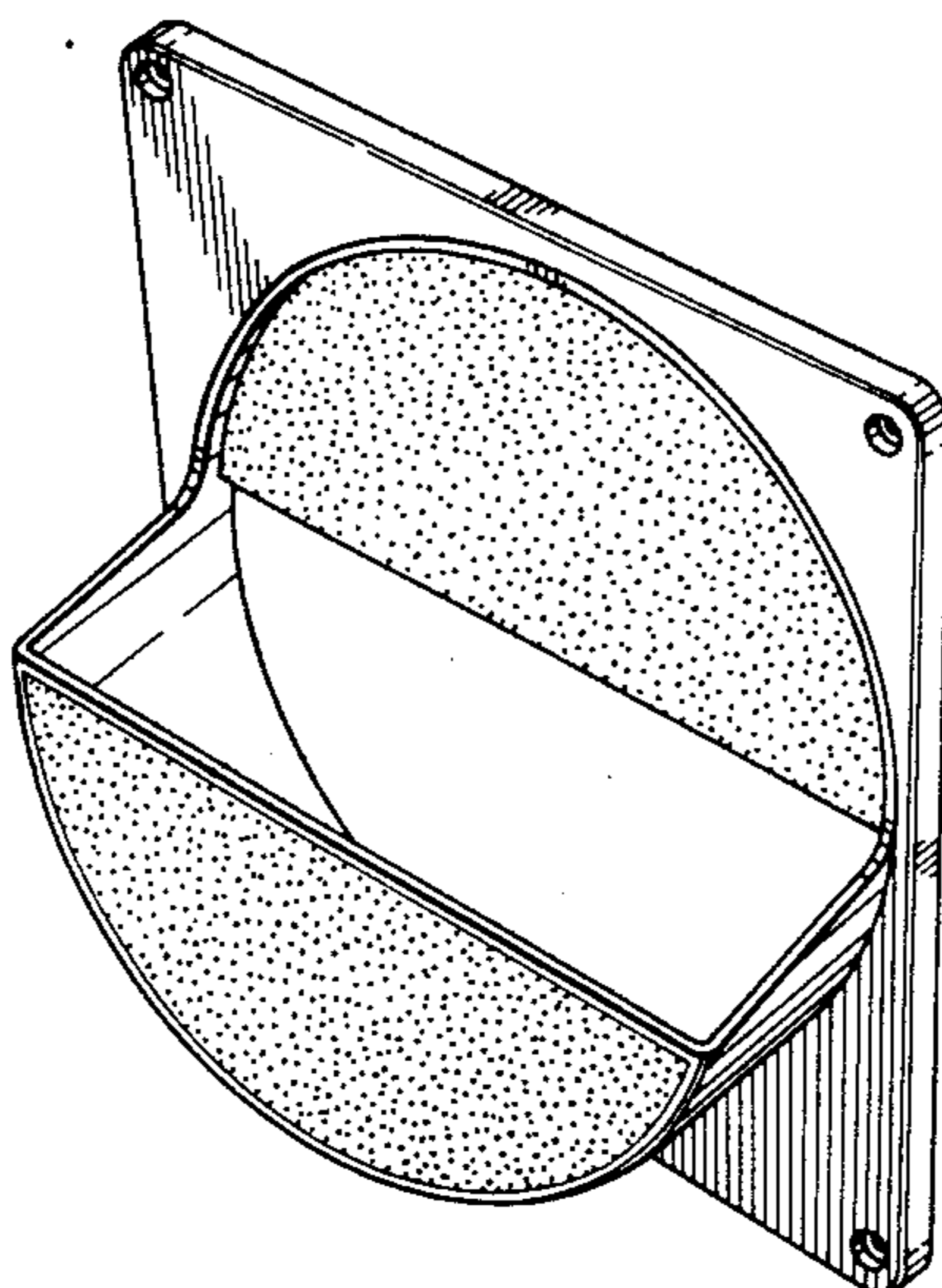
Primary Examiner—B. J. Bullock
Assistant Examiner—Suzanne N. Gitlin
Attorney, Agent, or Firm—John A. Doninger

[57] CLAIM

The ornamental design for a storage rack for covers for containers, substantially as is shown.

DESCRIPTION

FIG. 1 is a top perspective view of the storage rack for covers for containers showing our new design; FIG. 2 is a front elevational thereof; FIG. 3 is a side elevational thereof; FIG. 4 is a rear elevational thereof; FIG. 5 is a top plan view thereof; FIG. 6 is a bottom plan view thereof.



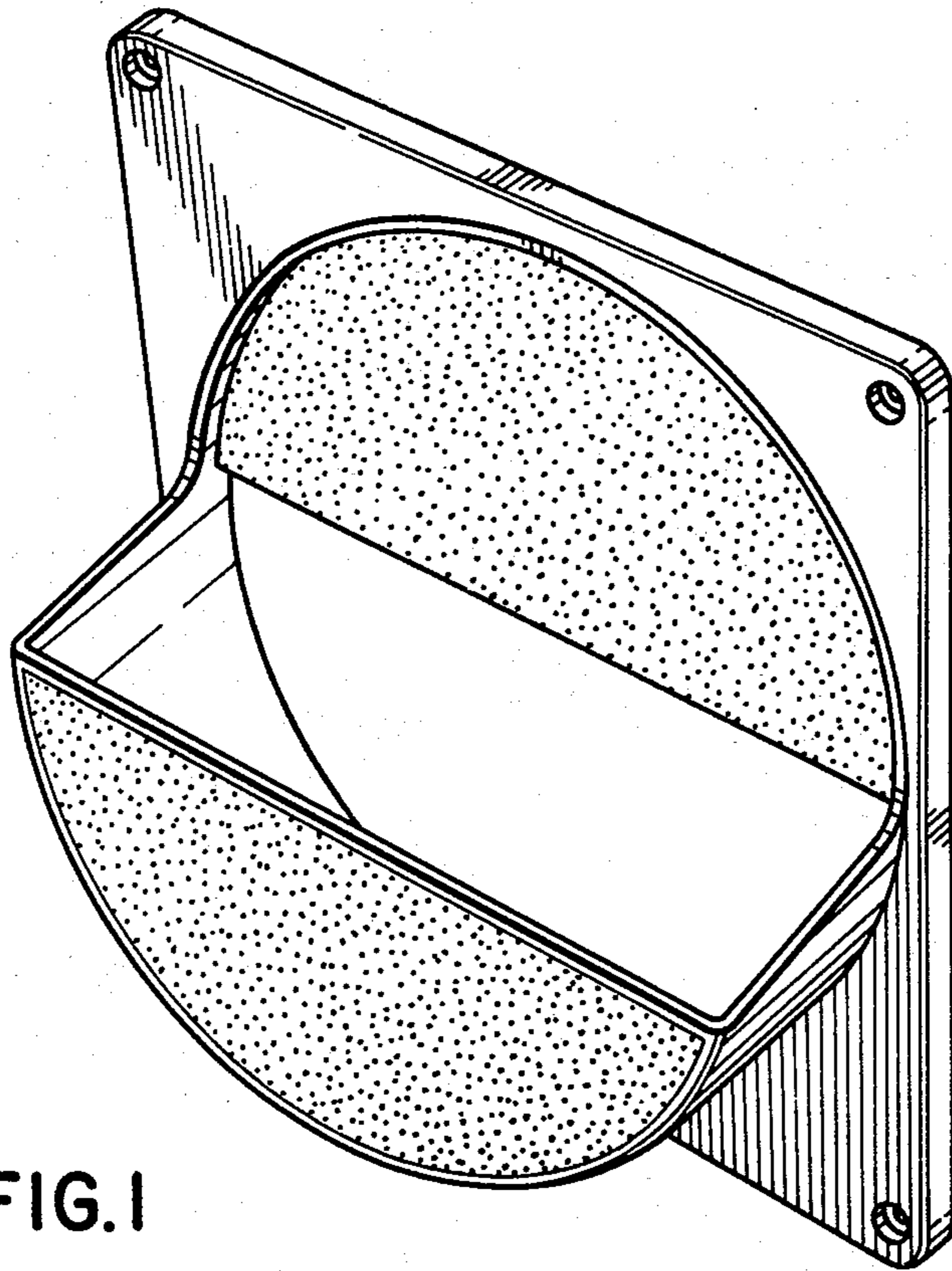


FIG. 1

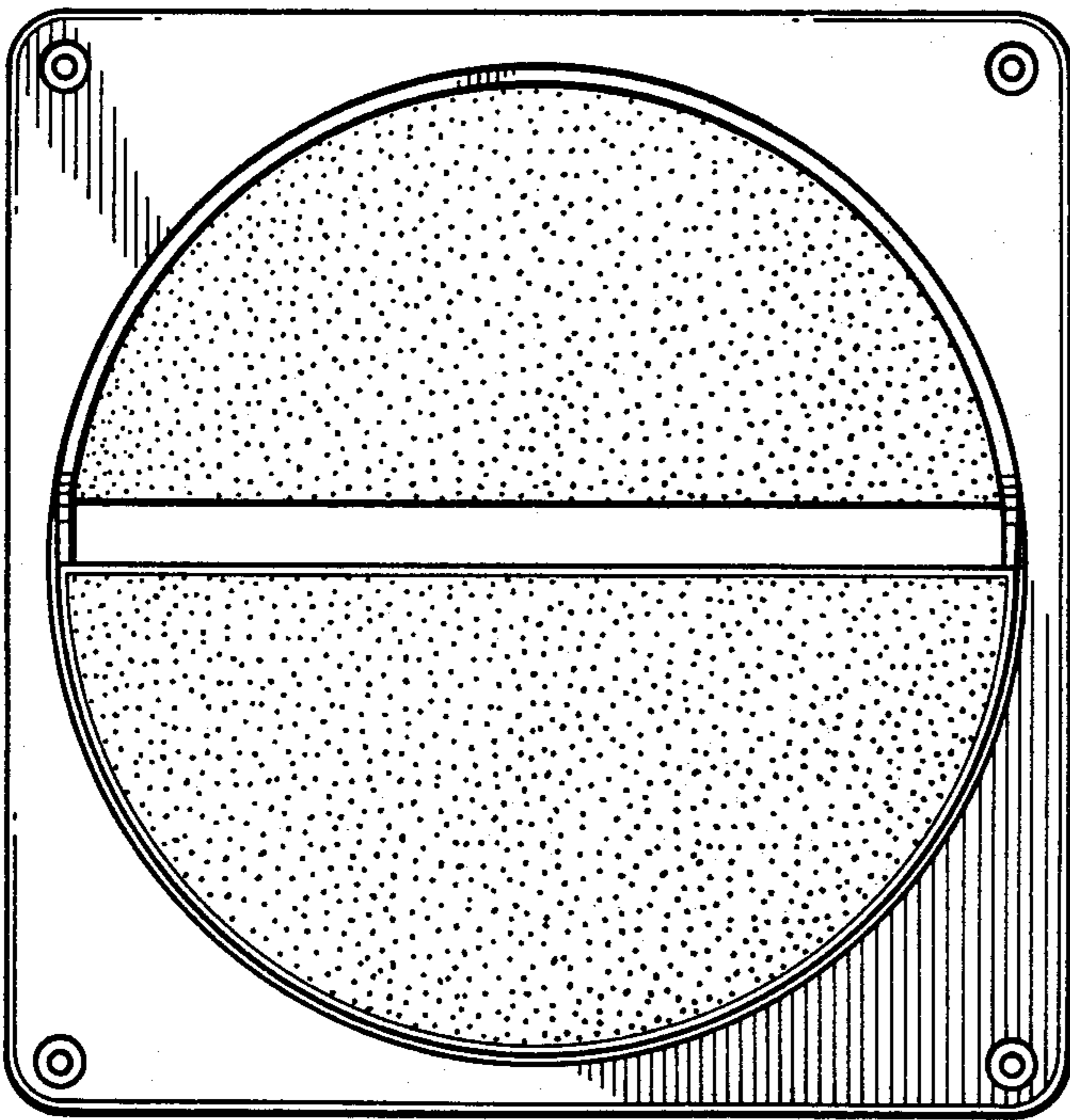


FIG. 2

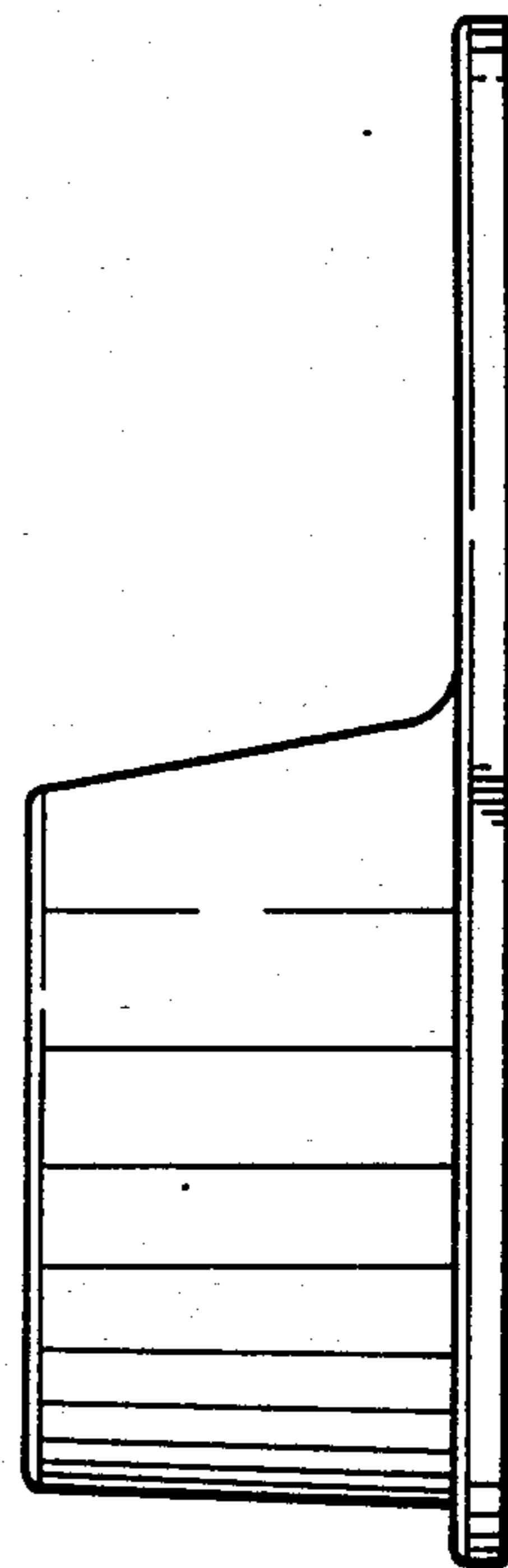


FIG. 3

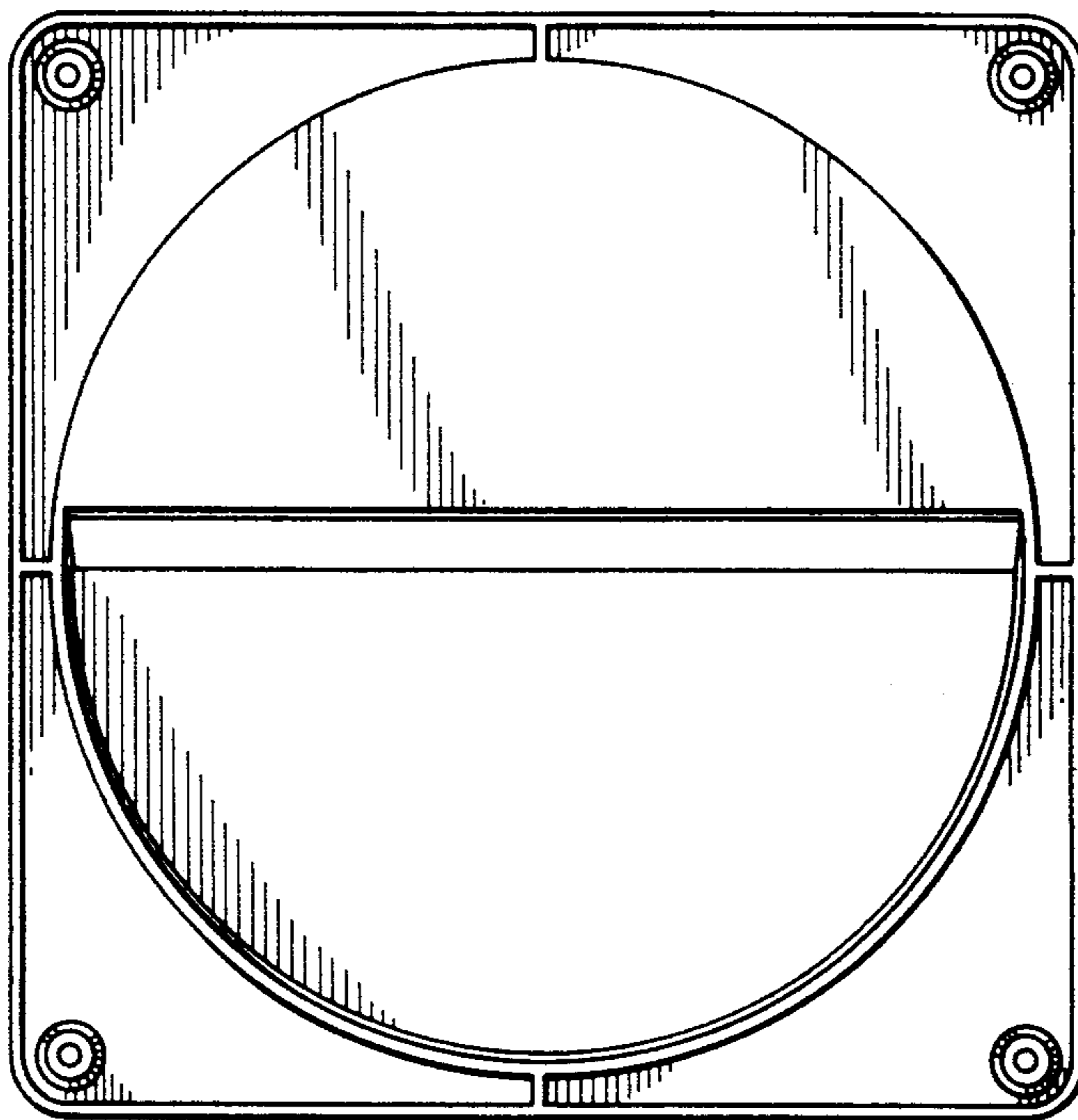


FIG. 4

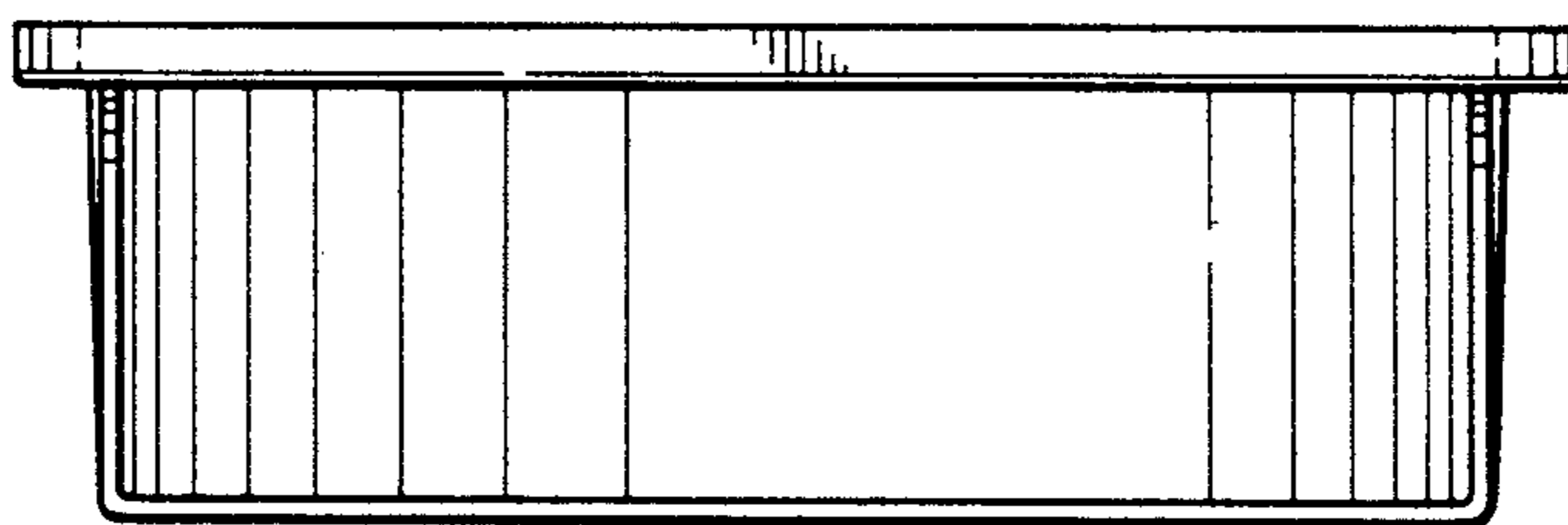


FIG. 5

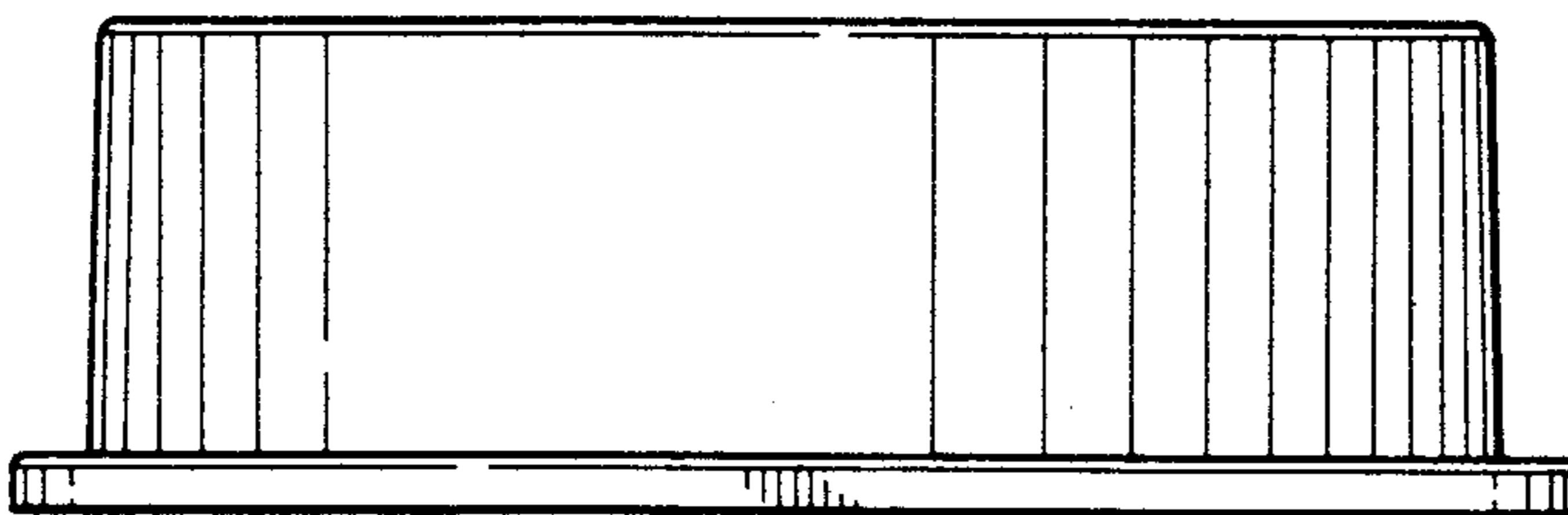


FIG. 6