

[54] BALCONY TRAY

4,374,498 2/1983 Yellin 108/114

[76] Inventor: Paul C. Murphy, 218 Magnolia Way, Huntsville, Tex. 77340

Primary Examiner—Bruce W. Dunkins
Attorney, Agent, or Firm—Vaden, Eickenroht, Thompson & Jamison

[**] Term: 14 Years

[21] Appl. No.: 588,702

[57] CLAIM

The ornamental design for a balcony tray, substantially as shown and described.

[22] Filed: Mar. 12, 1984

[52] U.S. Cl. D6/429; D6/462; D6/566; D6/574

DESCRIPTION

[58] Field of Search D3/40; D6/396, 425, D6/429, 430, 449, 462, 511, 553, 566, 567, 574; D7/37, 38; D12/155; 108/49, 102, 114; 211/88, 89, 90

FIG. 1 is a perspective view of one embodiment of a balcony tray embodying my design as seen from the back, one side and top thereof;

FIG. 2 is another perspective view of such one embodiment as seen from the front, other side and bottom thereof;

FIG. 3 is a perspective view of a second embodiment of a balcony tray embodying my design as seen from the back, one side and top thereof; and

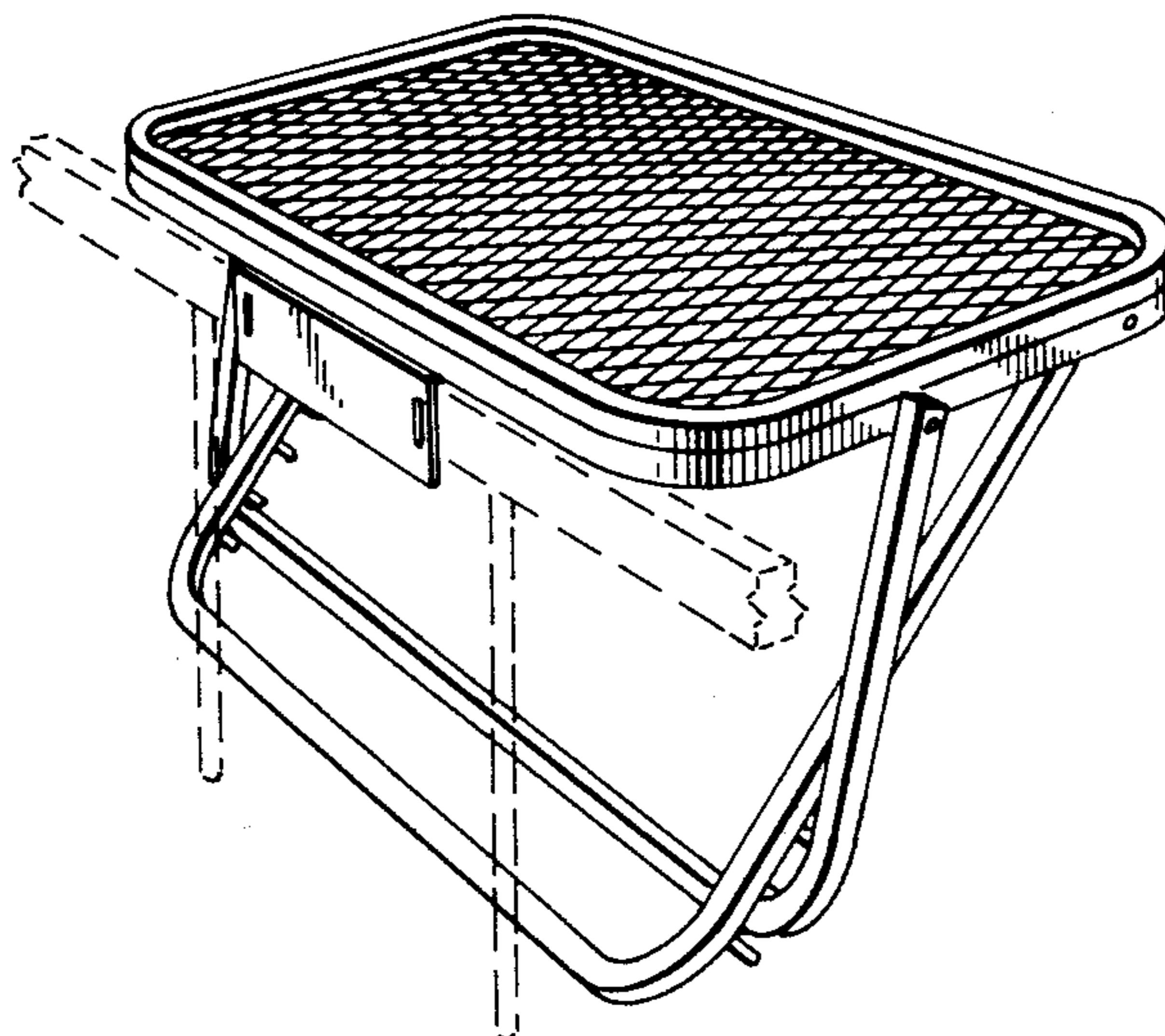
FIG. 4 is another perspective view of the second embodiment as seen from the front, other side and top thereof.

The broken lines indicating a balcony railing fragment in FIGS. 1 and 3 have been shown for illustrative purposes only.

[56] References Cited

U.S. PATENT DOCUMENTS

D. 164,099	7/1951	Choate	D6/336
D. 222,805	1/1972	Osborn	D6/430 X
D. 257,296	10/1980	White	D3/40
D. 260,832	9/1981	Verdesca et al.	D3/40 X
2,958,566	11/1960	Buck	D12/155 X
3,340,826	9/1967	Jenssen, Jr.	108/49
3,993,002	11/1976	Stroh	108/102 X
4,357,881	11/1982	DeLong	211/88 X



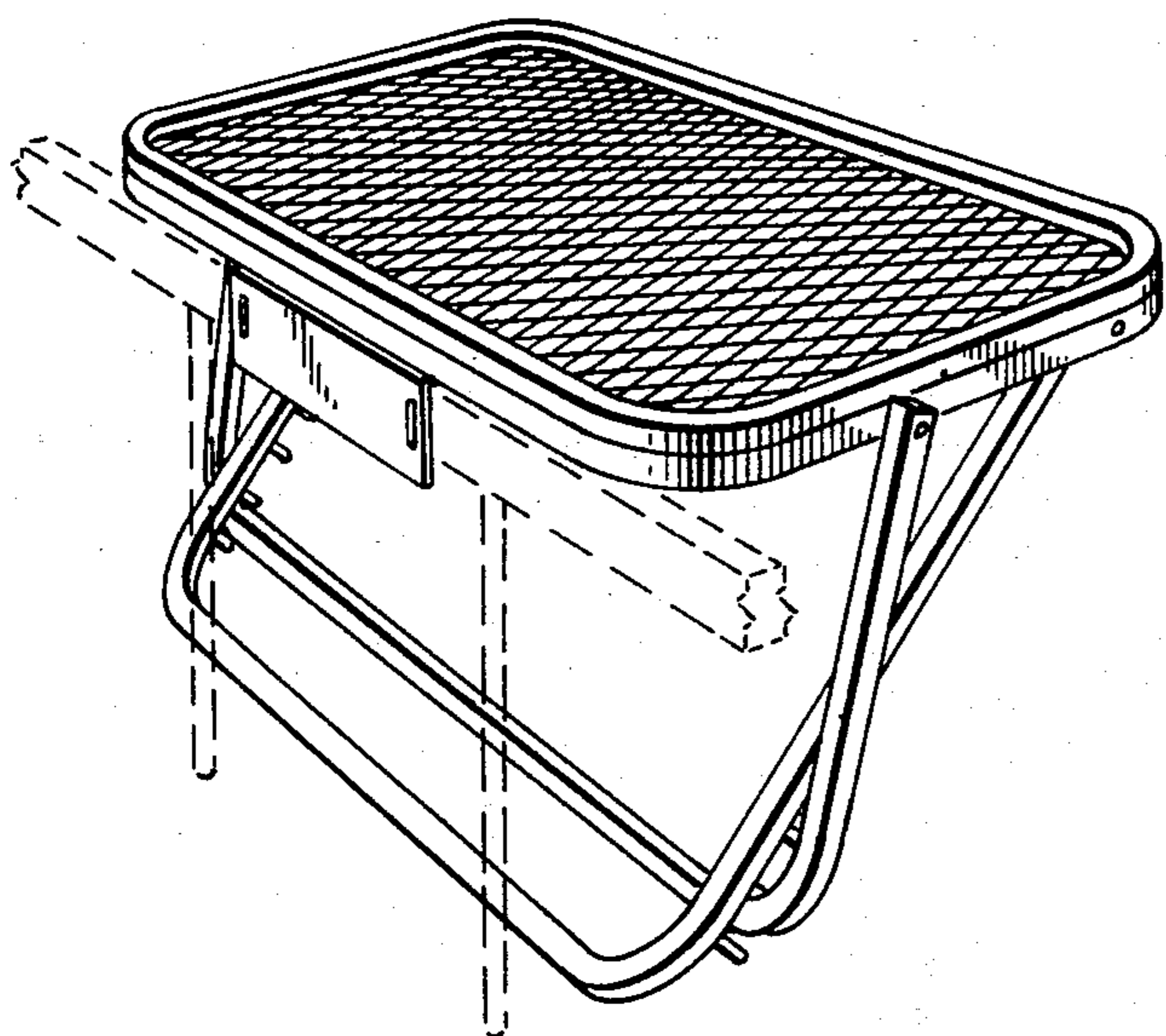


Fig. 1

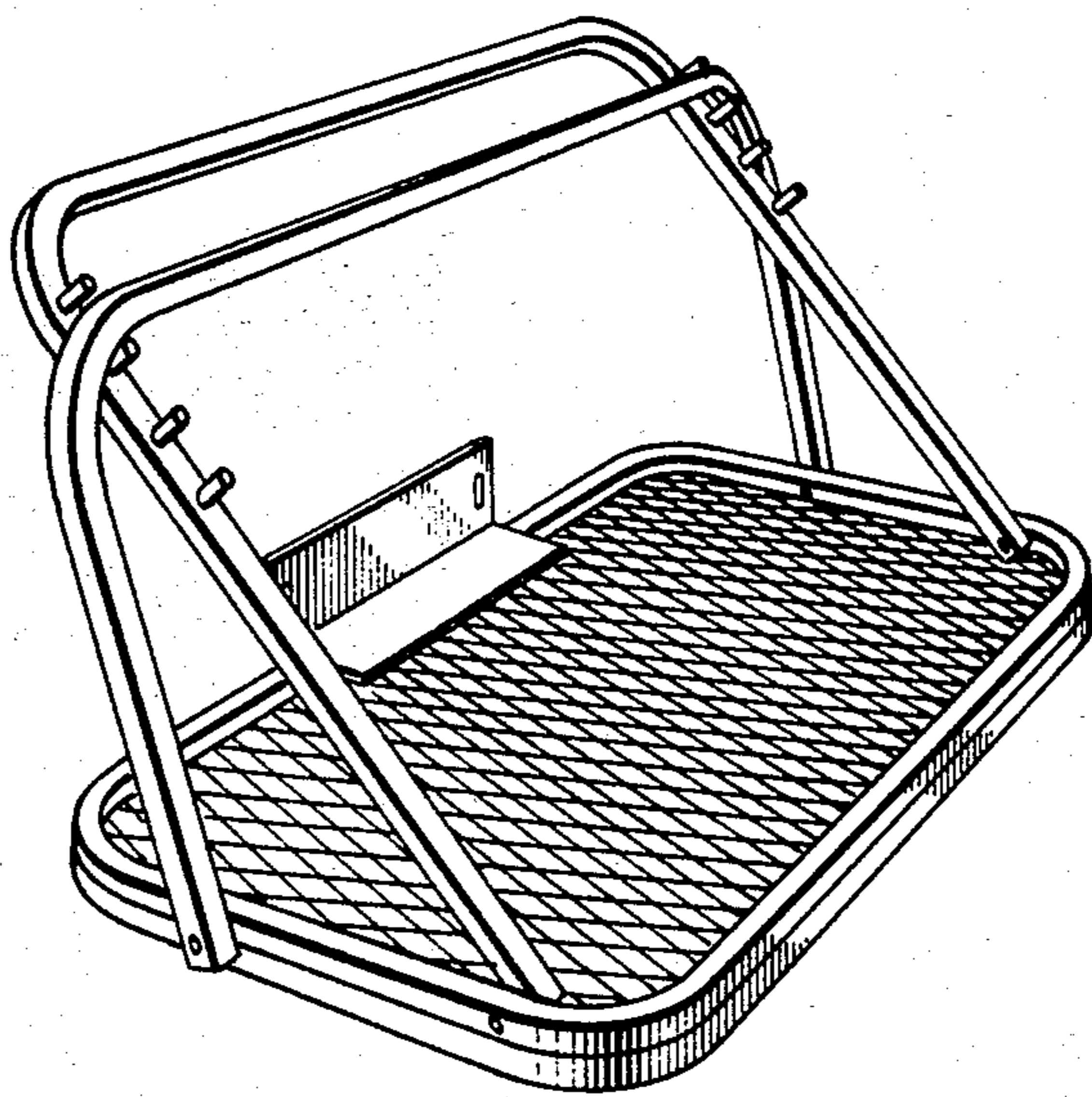


Fig. 2

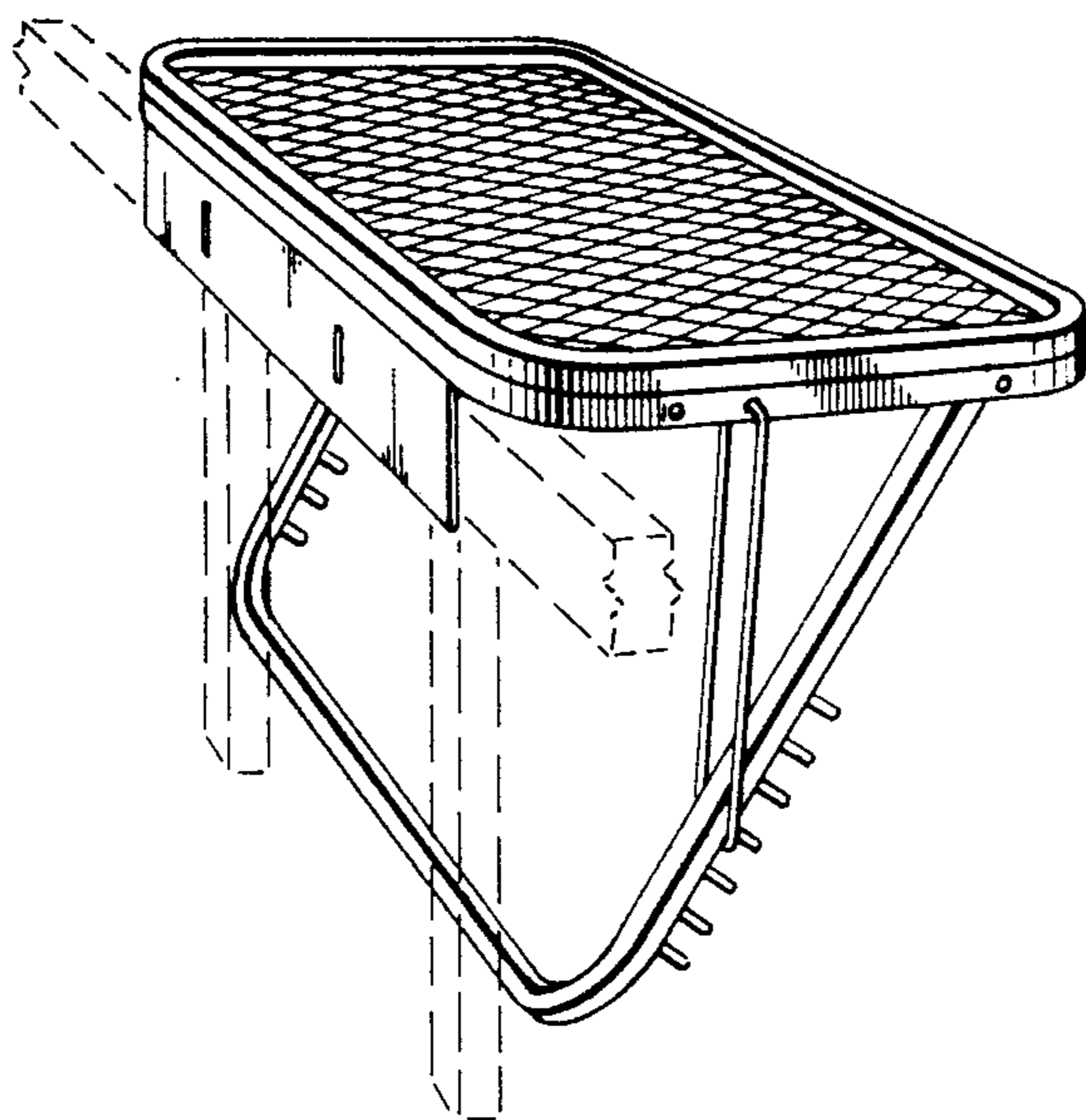


Fig. 3

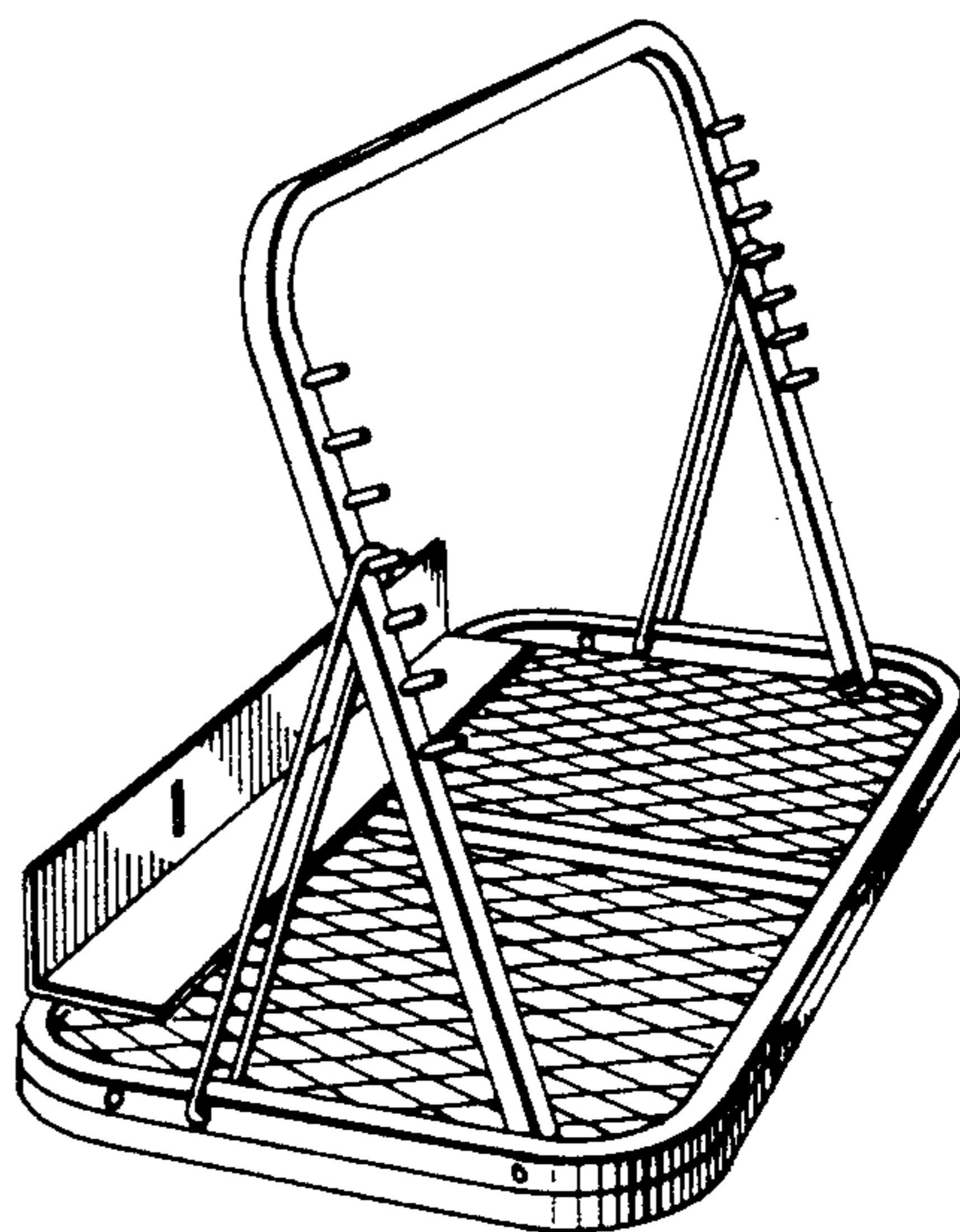


Fig. 4