

[54] PLACARD HOLDER

[75] Inventor: W. K. Messer, Birmingham, Ala.

[73] Assignee: Gust Vagianos, Beachwood, Ohio

[\*\*] Term: 14 Years

[21] Appl. No.: 456,996

[22] Filed: Dec. 20, 1982

[52] U.S. Cl. .... D6/300

[58] Field of Search ..... D6/232-246,  
D6/140; D28/65-72; 40/152, 152.1, 152.2;  
D11/132, 140

[56] References Cited

U.S. PATENT DOCUMENTS

- D. 181,150 10/1957 Horn ..... D6/140
- D. 193,994 11/1962 White ..... D11/140
- 3,916,549 11/1975 Storch et al. .... 40/156
- 4,037,342 7/1977 Bott ..... 40/156

OTHER PUBLICATIONS

Hong Kong Enterprise, 1-1981, p. 125, Rectangular Frames at bottom of page.

Primary Examiner—Charles A. Rademaker  
Attorney, Agent, or Firm—Fay, Sharpe, Fagan, Minnich & McKee

[57] CLAIM

The ornamental design for a placard holder, as shown and described.

DESCRIPTION

FIG. 1 is a prospective view of a placard holder showing my new design;  
 FIG. 2 is a front elevational view thereof;  
 FIG. 3 is a top plan view thereof with the bottom plan view being a mirror image thereof;  
 FIG. 4 is a left side elevational view thereof, with the right side elevational view being a mirror image thereof;  
 FIG. 5 is a rear elevational view thereof;  
 FIG. 6 is a cross-sectional view thereof taken along line 6-6 in FIG. 2.

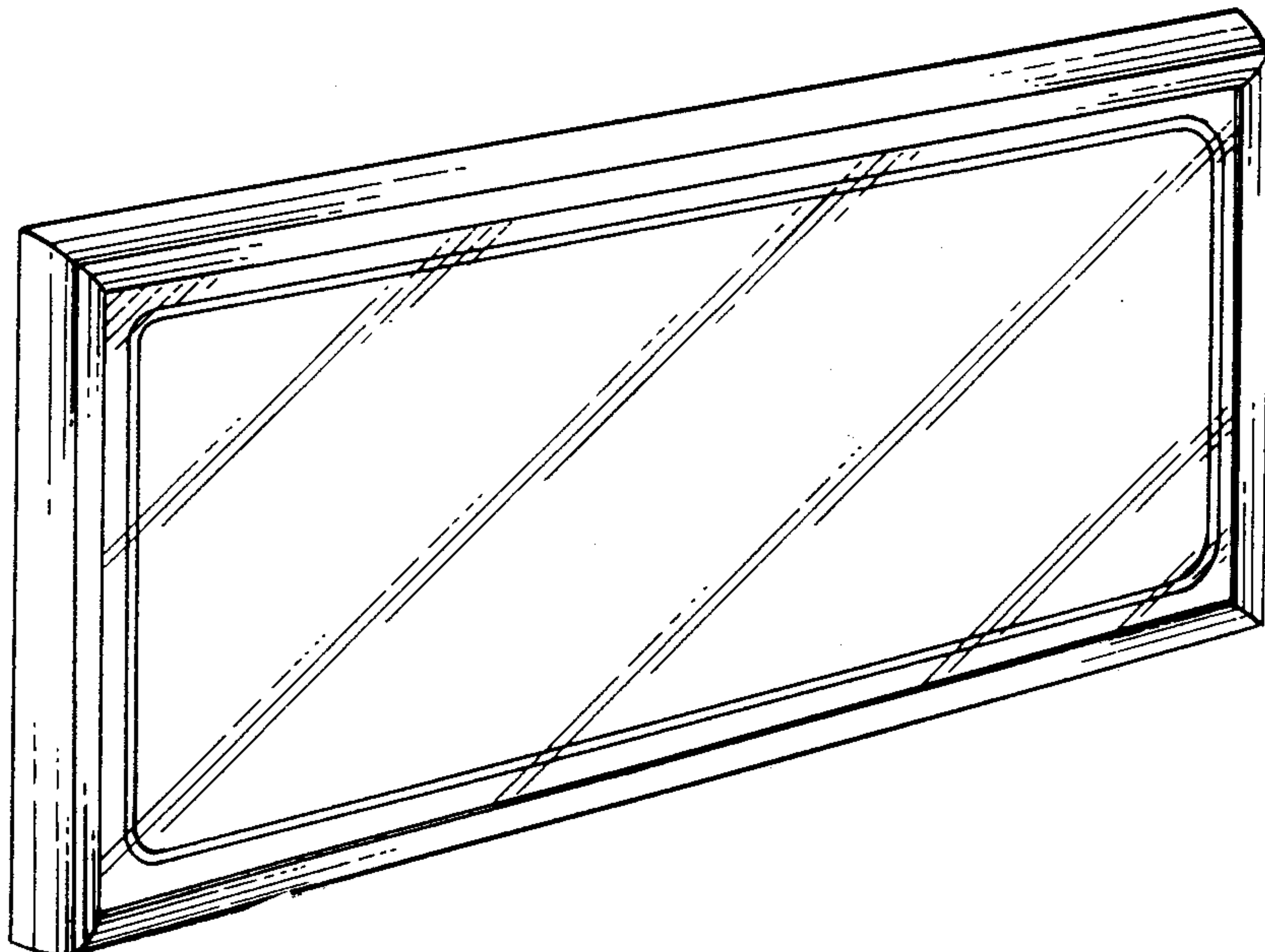
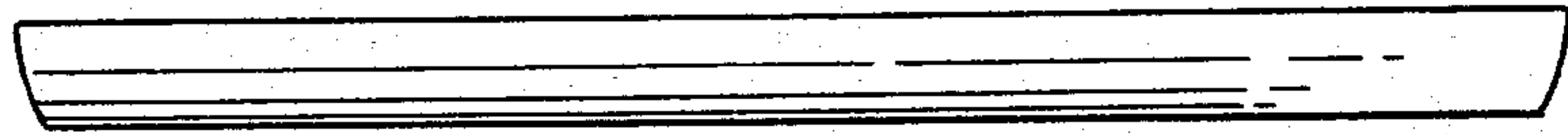
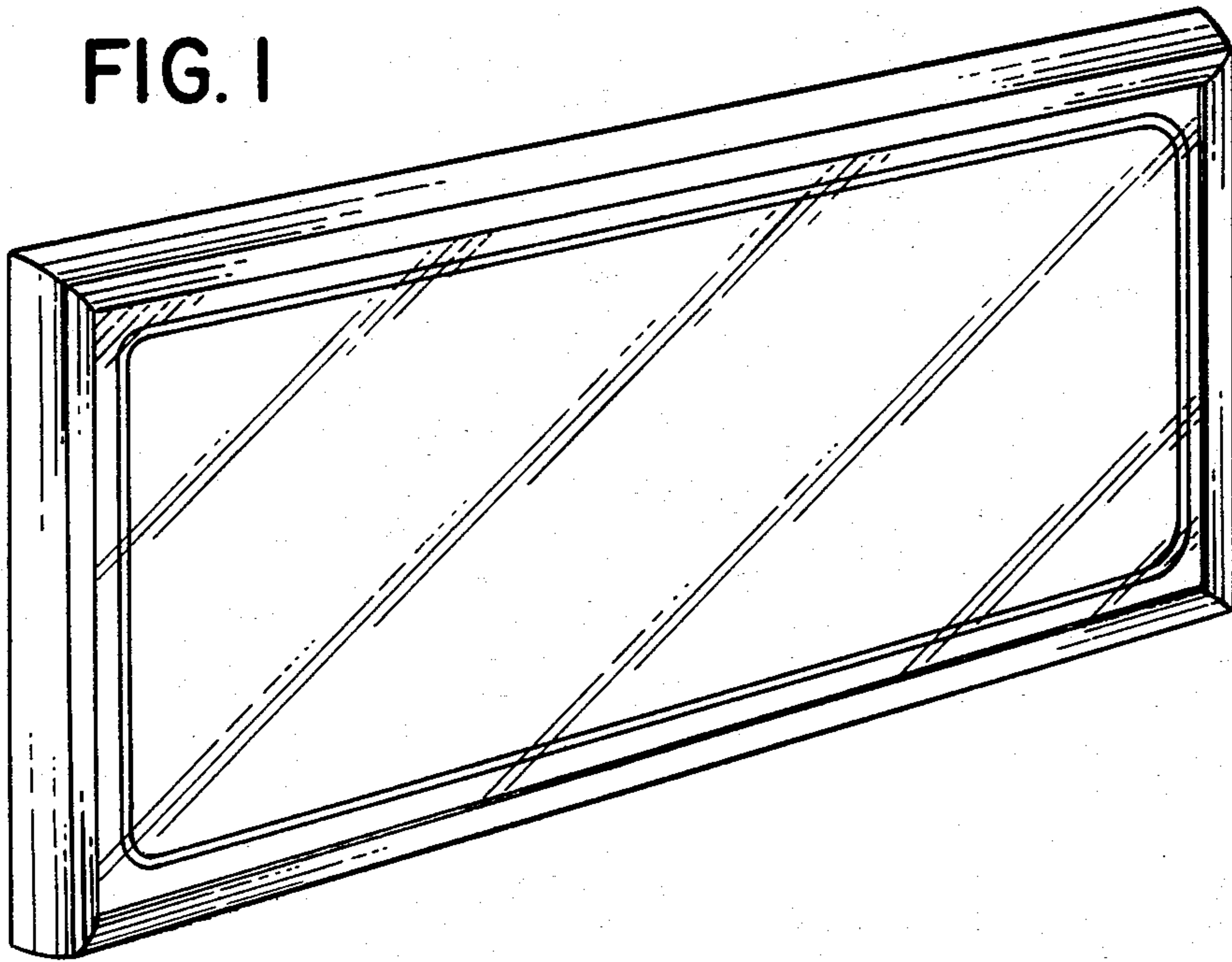


FIG. 1

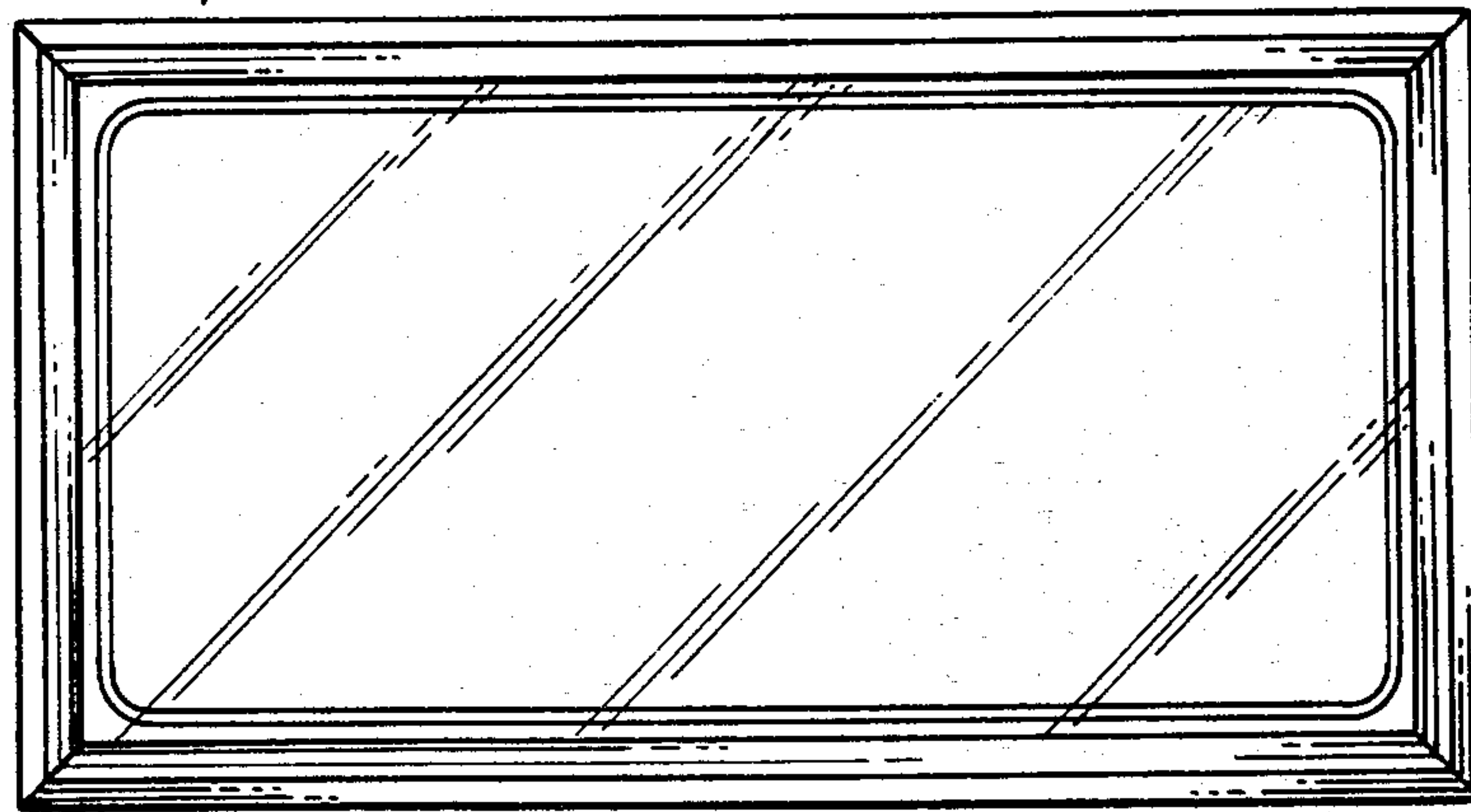


6 ←

FIG. 3



FIG. 4



6 ←

FIG. 2



FIG. 6

FIG. 5

