

[54] TOES PROTECTOR

[76] Inventor: Richard L. Shaffner, 1640 Damon Ct., Dunwoody, Ga. 30338

[**] Term: 14 Years

[21] Appl. No.: 609,694

[22] Filed: May 14, 1984

[52] U.S. Cl. D2/314; D24/49

[58] Field of Search D2/264, 314, 315, 271; 36/1, 1.5, 72 R, 110, 11.5; 128/82, 83.5; D24/49, 64

[56] References Cited

U.S. PATENT DOCUMENTS

D. 192,210	2/1962	Webster	D2/271	X
D. 263,517	3/1982	Ellington	D24/64	X
1,954,569	4/1934	League	36/72	R
2,002,662	5/1935	Hauer	36/72	R
2,423,354	7/1947	Van Hoesen	36/1	
2,973,590	3/1961	Gaskill	36/72	R
3,263,679	8/1966	Hass	128/83.5	
3,773,041	11/1973	Bogar, Jr. et al.	128/83.5	
3,916,538	11/1975	Loseff	36/11.5	
4,061,138	12/1977	Bernstein	128/82	

4,177,583 12/1979 Chapman 36/77 R
4,454,872 6/1984 Brouhard 128/82

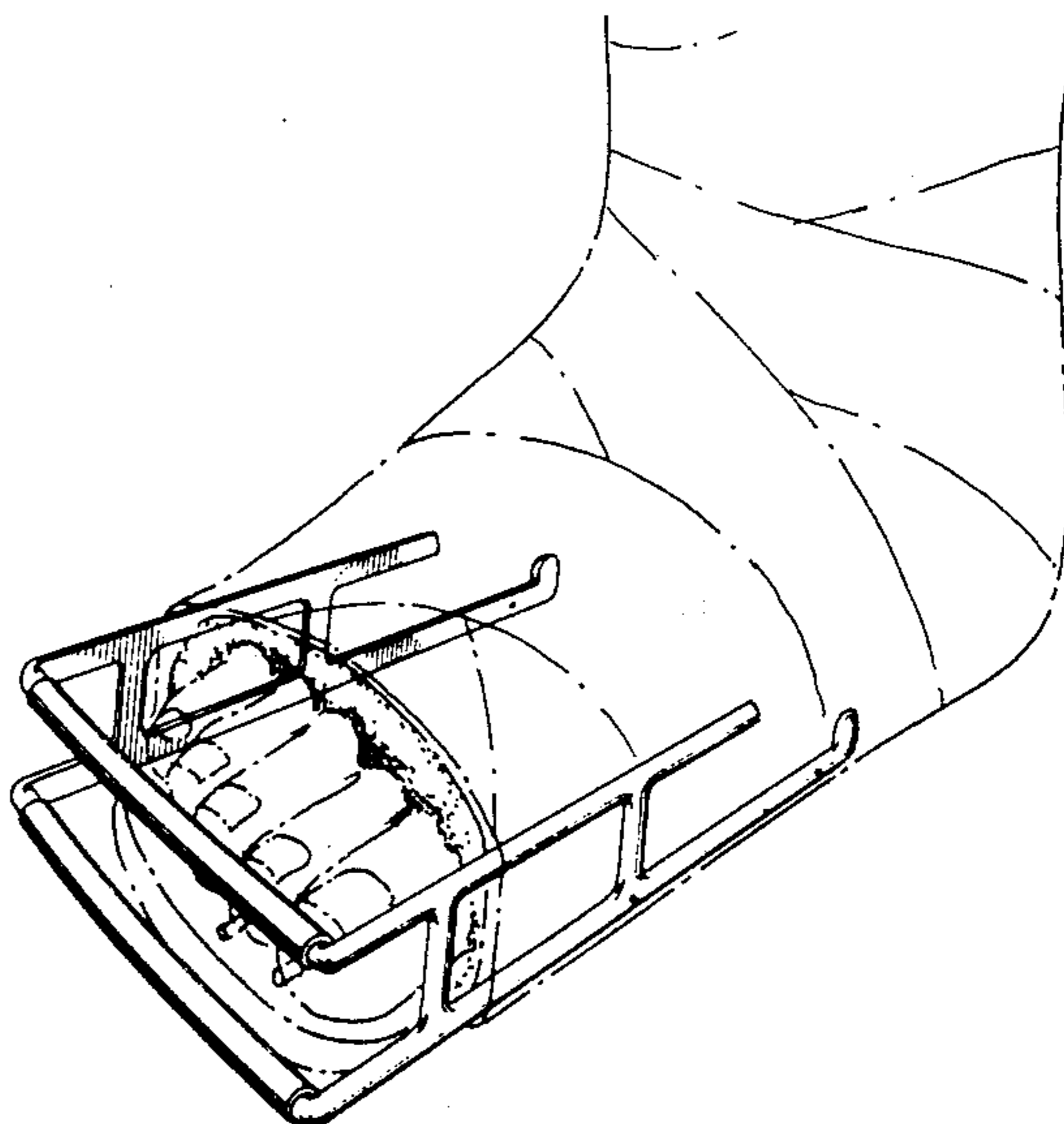
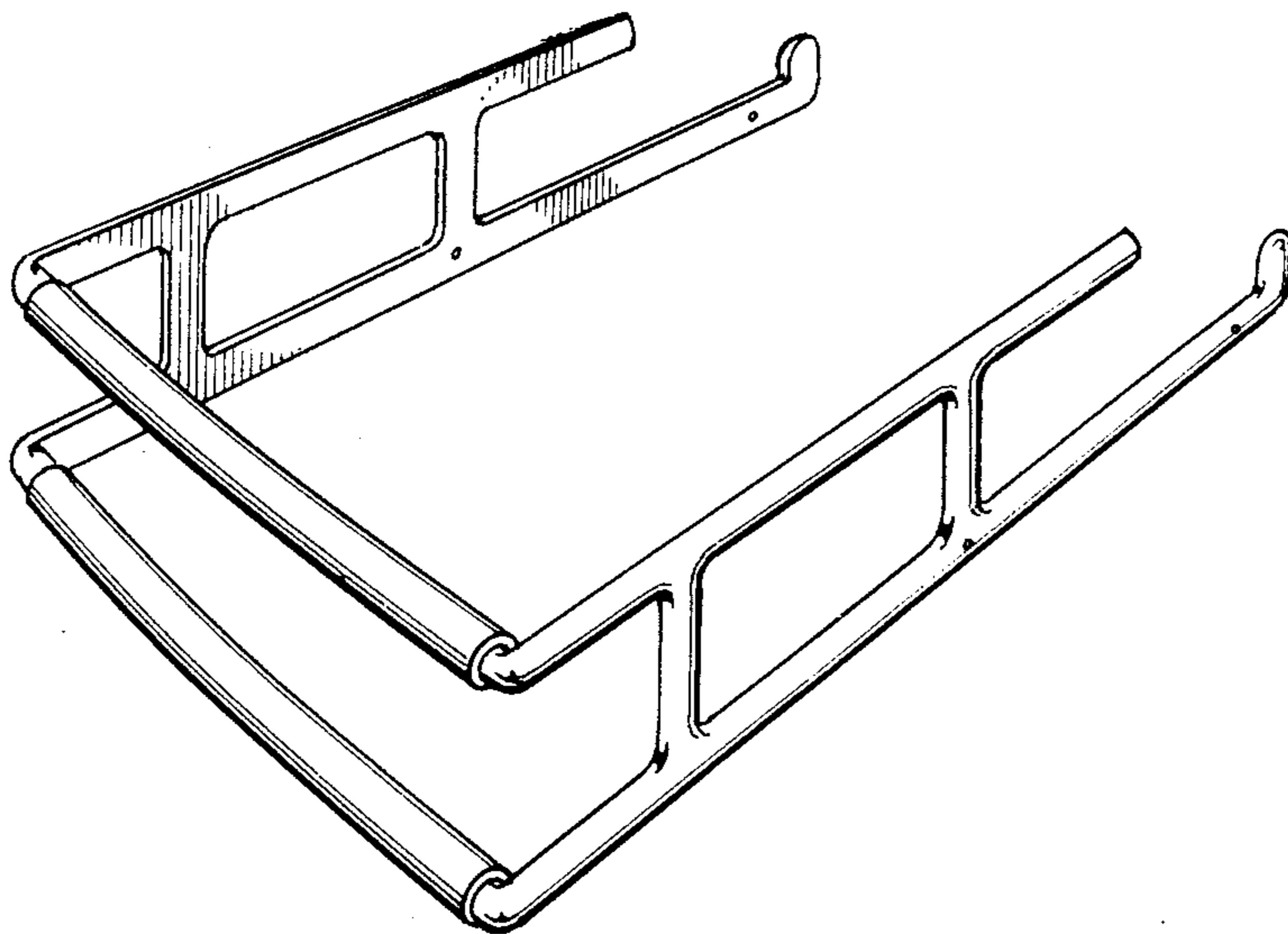
Primary Examiner—Louis S. Zarfes
Attorney, Agent, or Firm—Thomas & Kennedy

[57] CLAIM

The ornamental design for a toes protector, substantially as shown and described.

DESCRIPTION

FIG. 1 is a perspective view of a toes protector showing my new design;
 FIG. 2 is a front elevational view of the toes protector;
 FIG. 3 is a rear elevational view of the toes protector;
 FIG. 4 is a plan view of the toes protector;
 FIG. 5 is a bottom view of the toes protector;
 FIG. 6 is a side elevational view of the toes protector, the other side being a mirror image;
 FIG. 7 is a perspective view of the toes protector shown mounted to a foot cast; and
 FIG. 8 is a perspective view of the toes protector shown mounted to a shoe.
 The broken line showing of a foot, cast, and shoe in FIGS. 7 and 8 is for illustrative purposes only and forms no part of the claimed design.



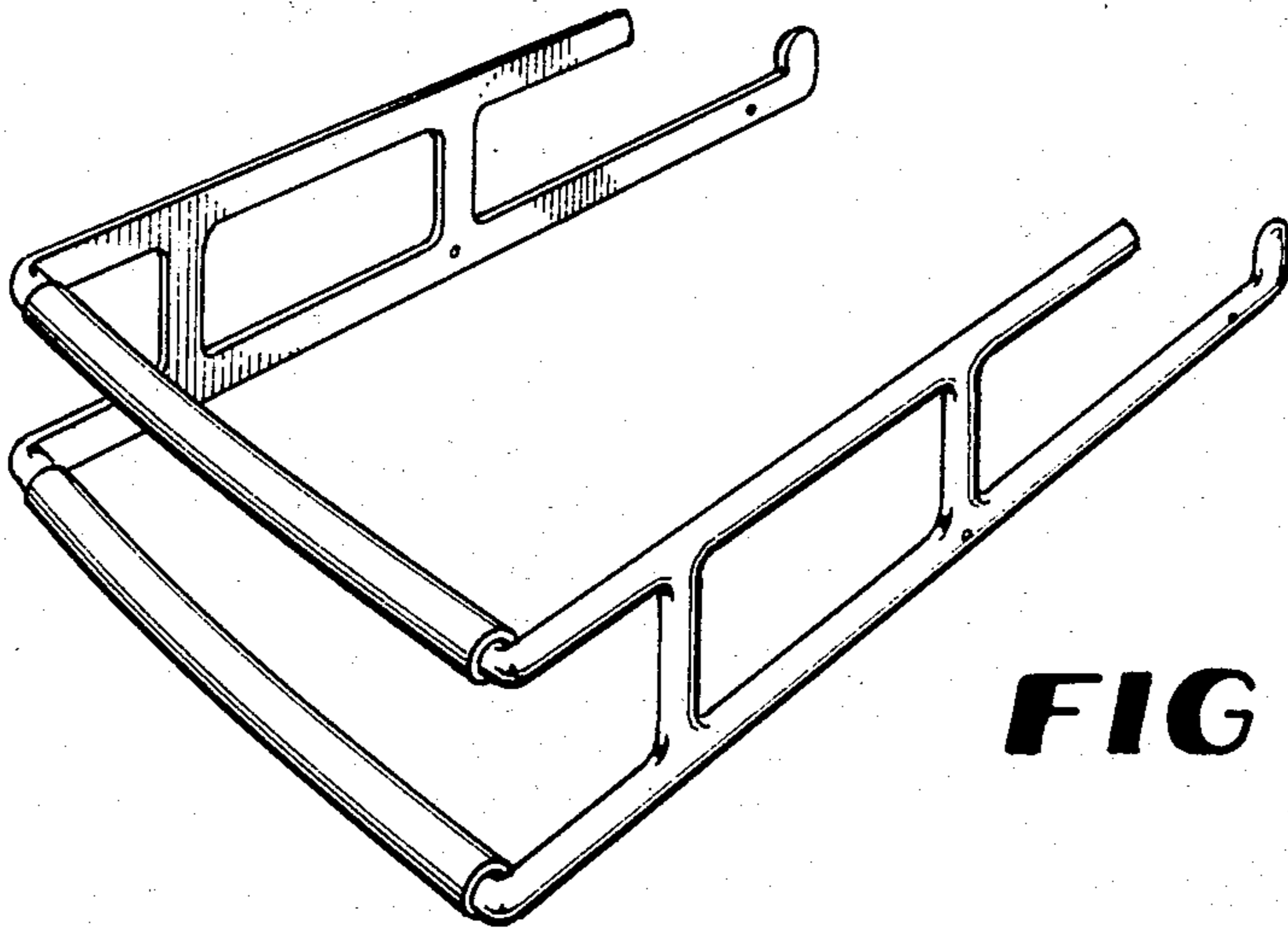


FIG 1

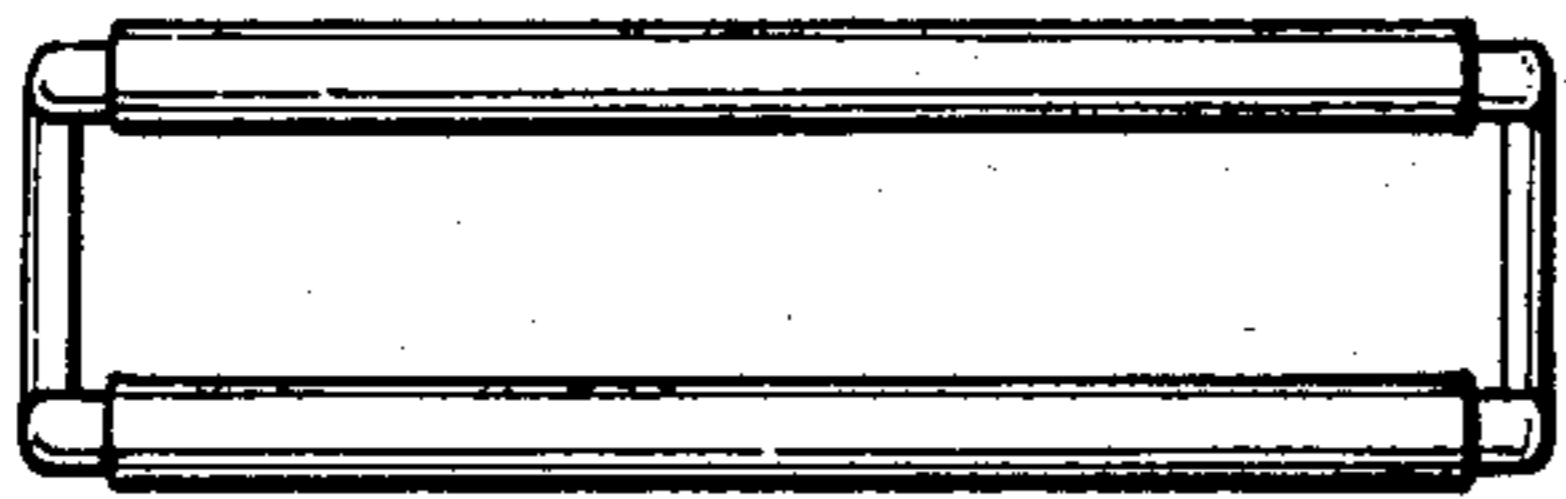


FIG 2

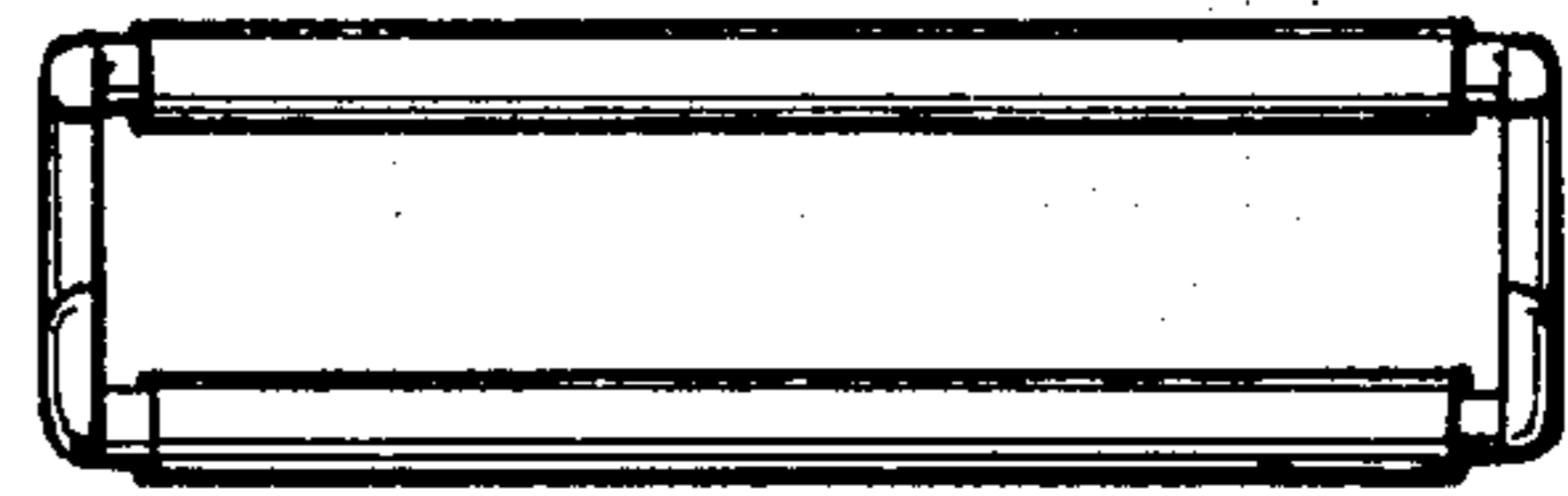


FIG 3

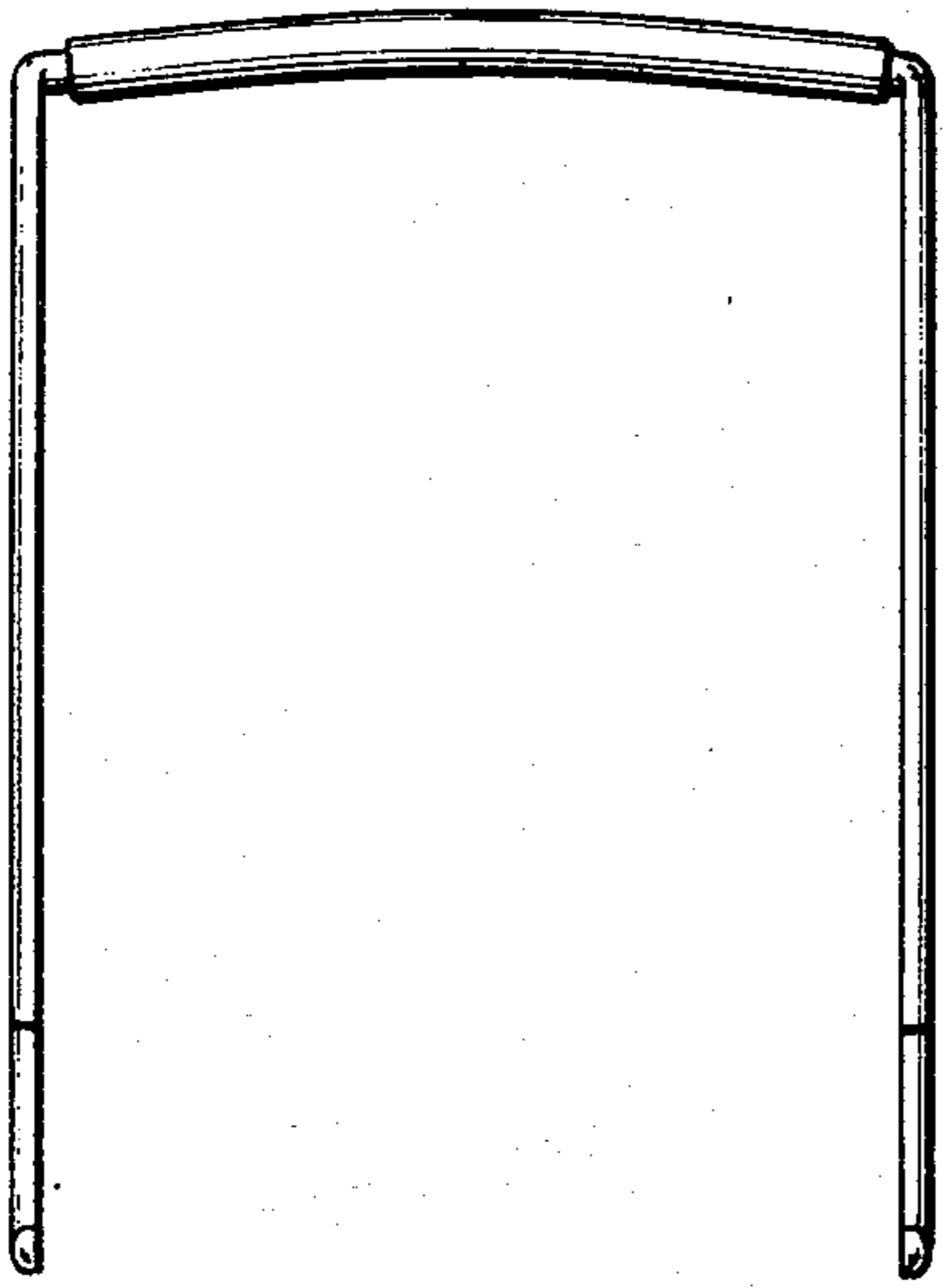


FIG 4

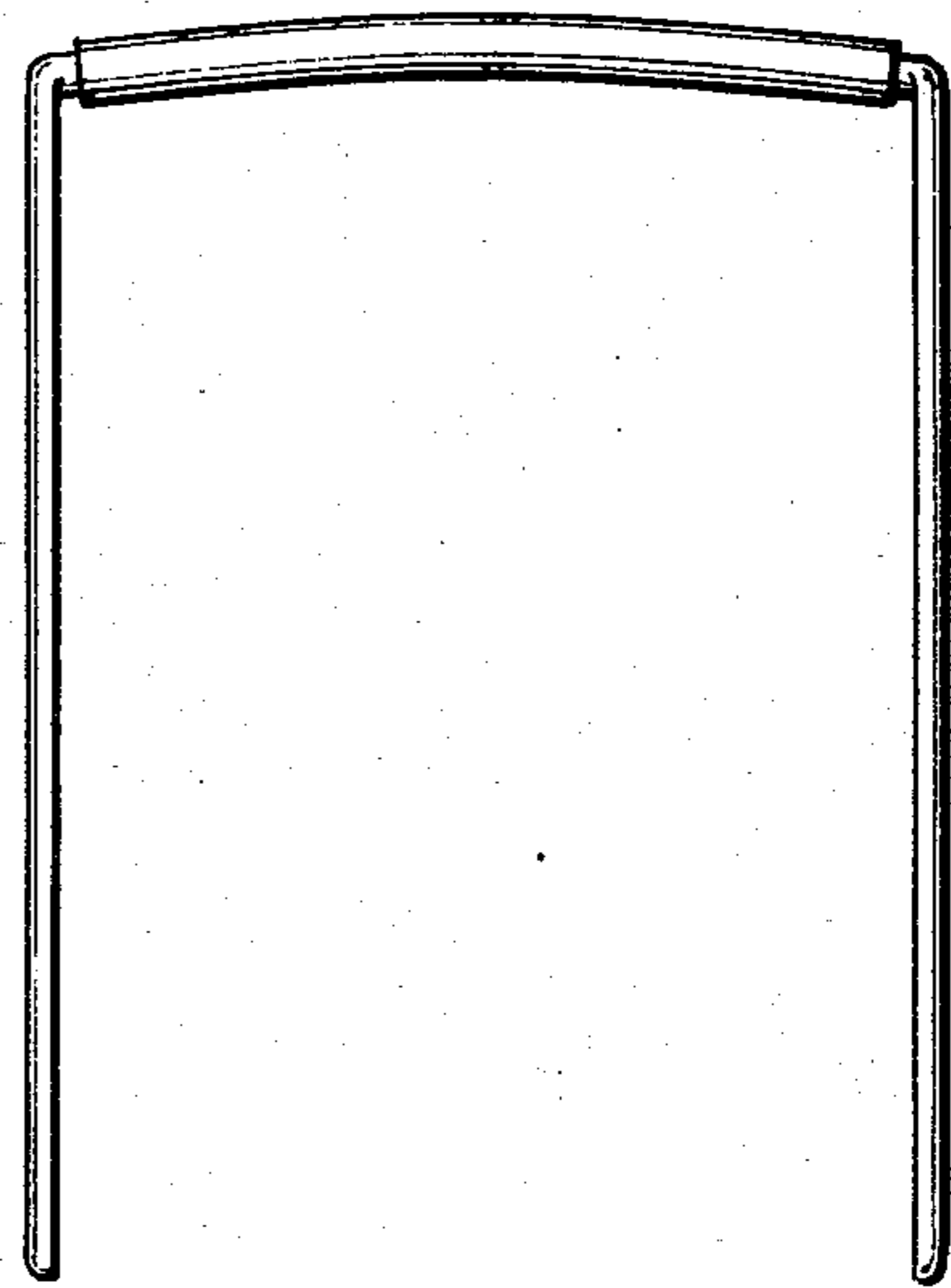


FIG 5

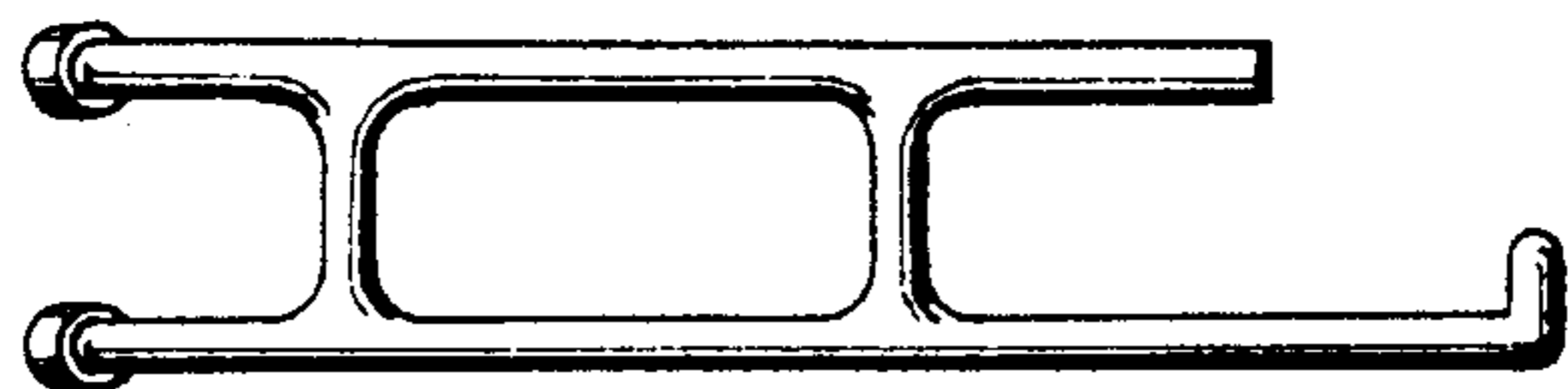


FIG 6

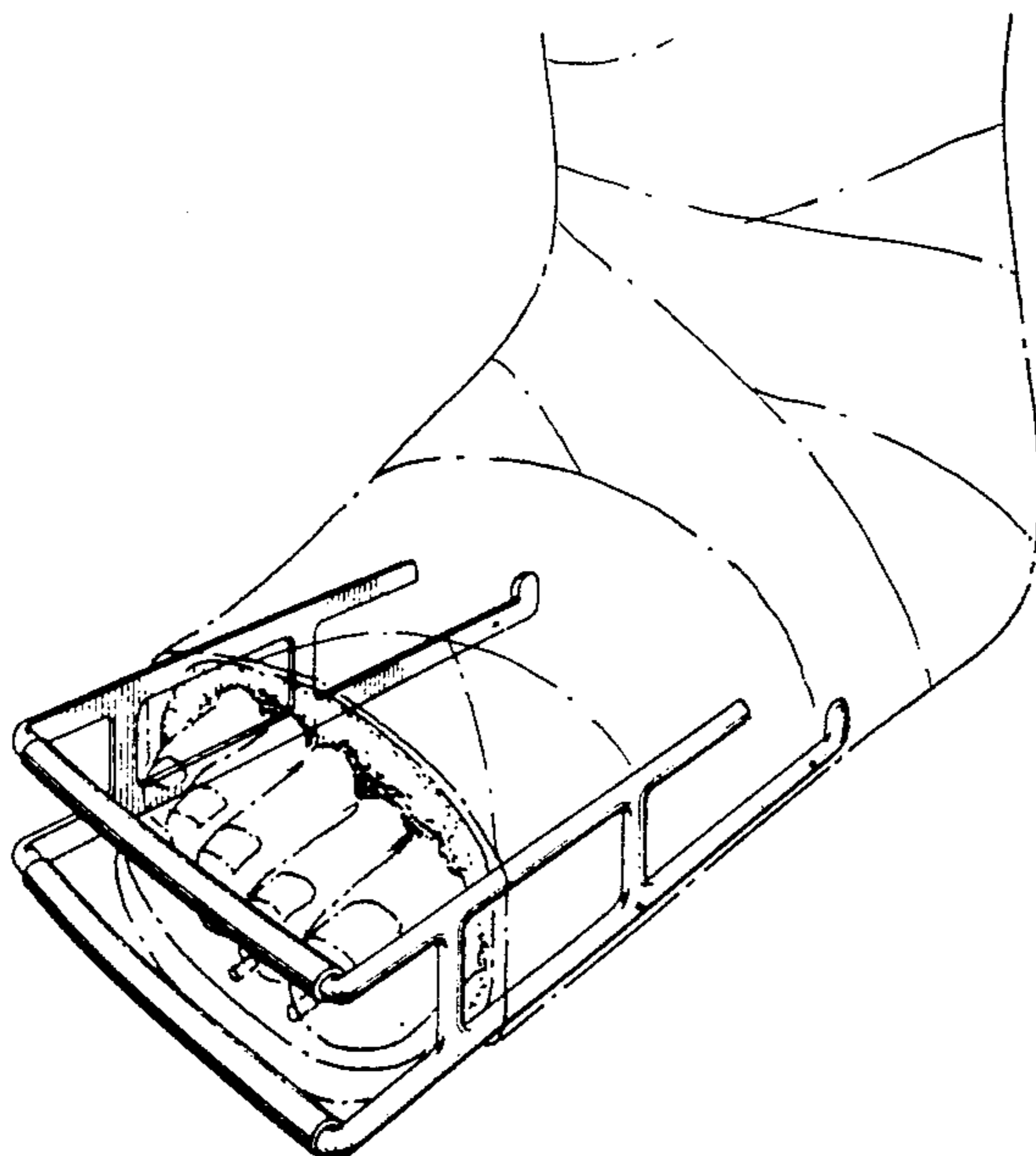


FIG 7

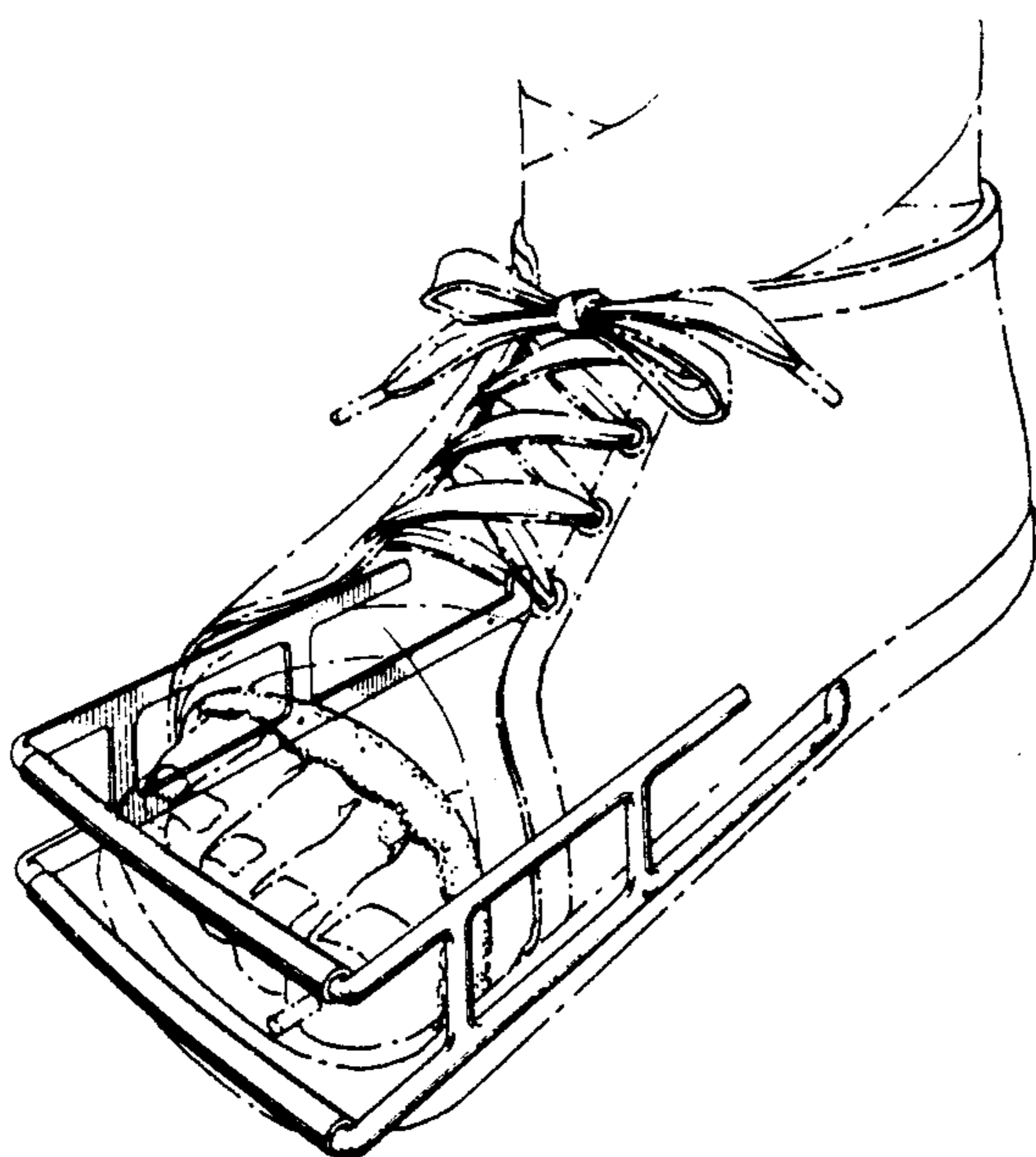


FIG 8