

[54] **MUSTACHE TRIMMER**

[76] **Inventor: Walter Buddie, 1477 S. Sheldon Rd., Apt. #2, Plymouth, Mich. 48170**

[**] **Term: 14 Years**

[21] **Appl. No.: 580,972**

[22] **Filed: Feb. 16, 1984**

[52] **U.S. Cl. D28/46**

[58] **Field of Search D28/44-48;
30/32, 34 R, 47, 50, 85, 86, 90**

[56] **References Cited**

U.S. PATENT DOCUMENTS

2,127,010	8/1938	Sampson	30/32 X
2,637,905	5/1953	Williams et al.	D28/45 X
3,263,330	8/1966	Ferrara	D28/46 X
3,626,591	12/1971	Robey	30/54

OTHER PUBLICATIONS

Design, 11/1968, p. 70—Wilkinson Razor at top.

Primary Examiner—Louis S. Zarfaz
Attorney, Agent, or Firm—Cullen, Sloman, Cantor, Grauer, Scott & Rutherford

[57] **CLAIM**

The ornamental design for a mustache trimmer, substantially as shown and described.

DESCRIPTION

FIG. 1 is a perspective view of a mustache trimmer showing my new design.

FIG. 2 is an end elevational view thereof on an enlarged scale with the bottom broken away for convenience of illustration.

FIG. 3 is a top plan view thereof.

FIG. 4 is a side elevational view thereof with the center broken away for convenience of illustration.

FIG. 5 is a bottom plan view thereof.

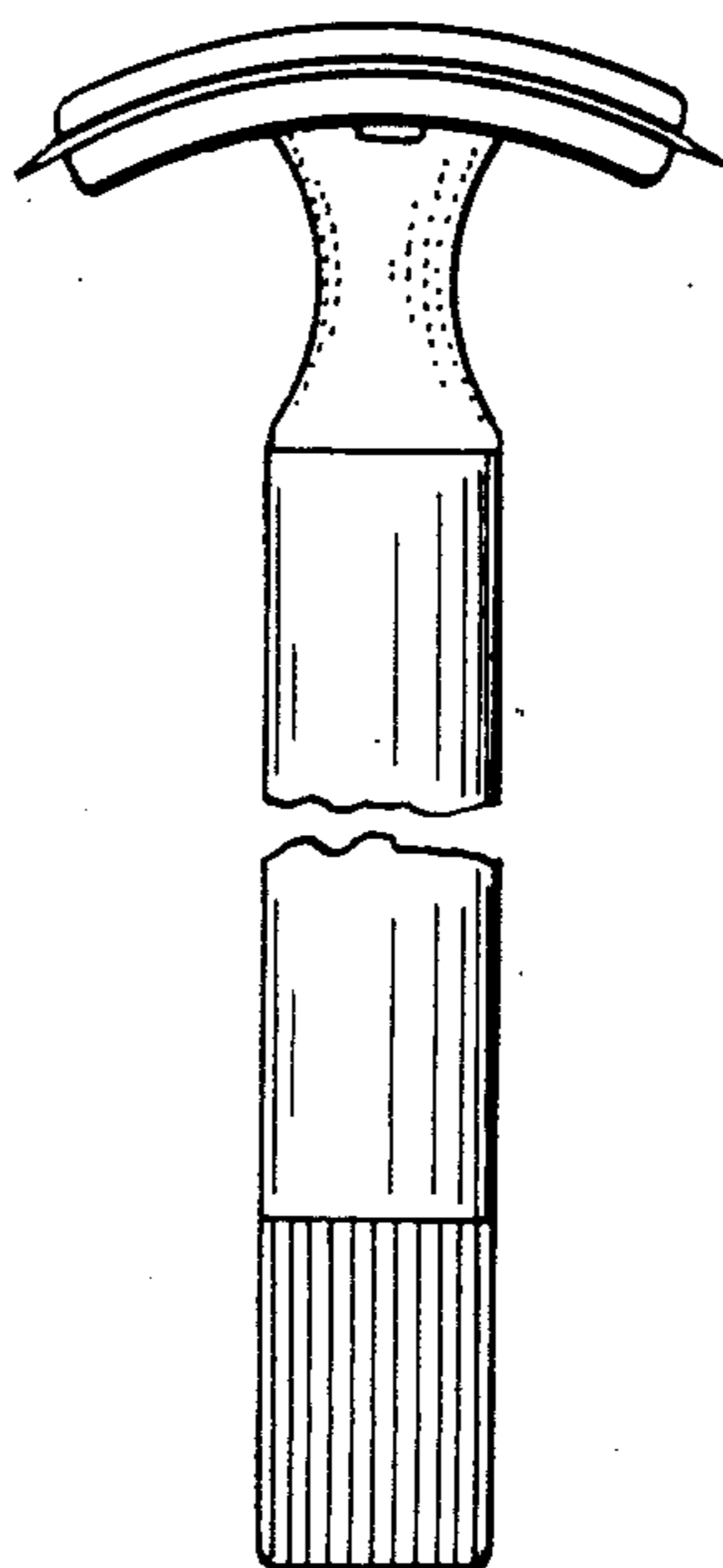


FIG. 1

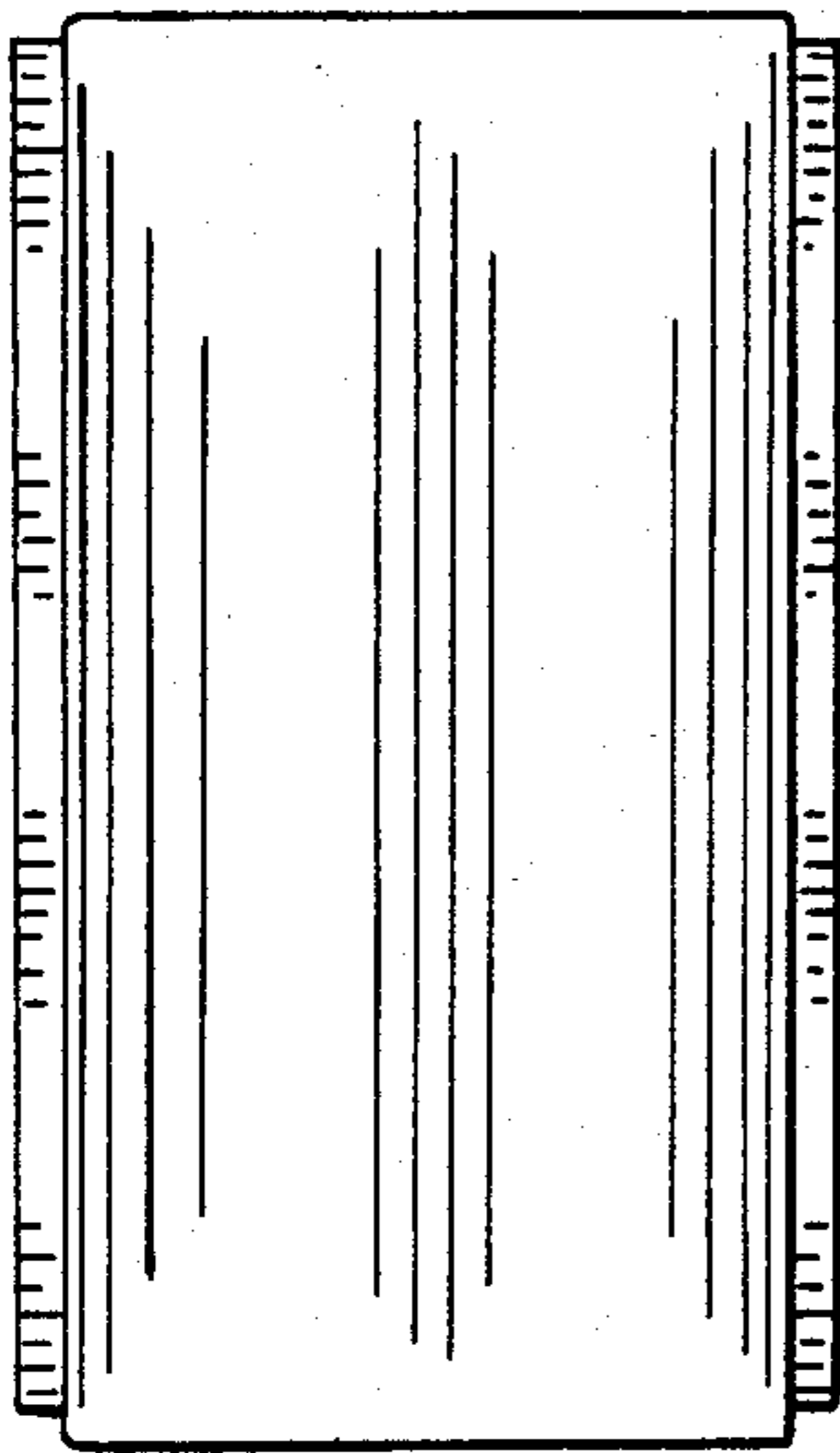
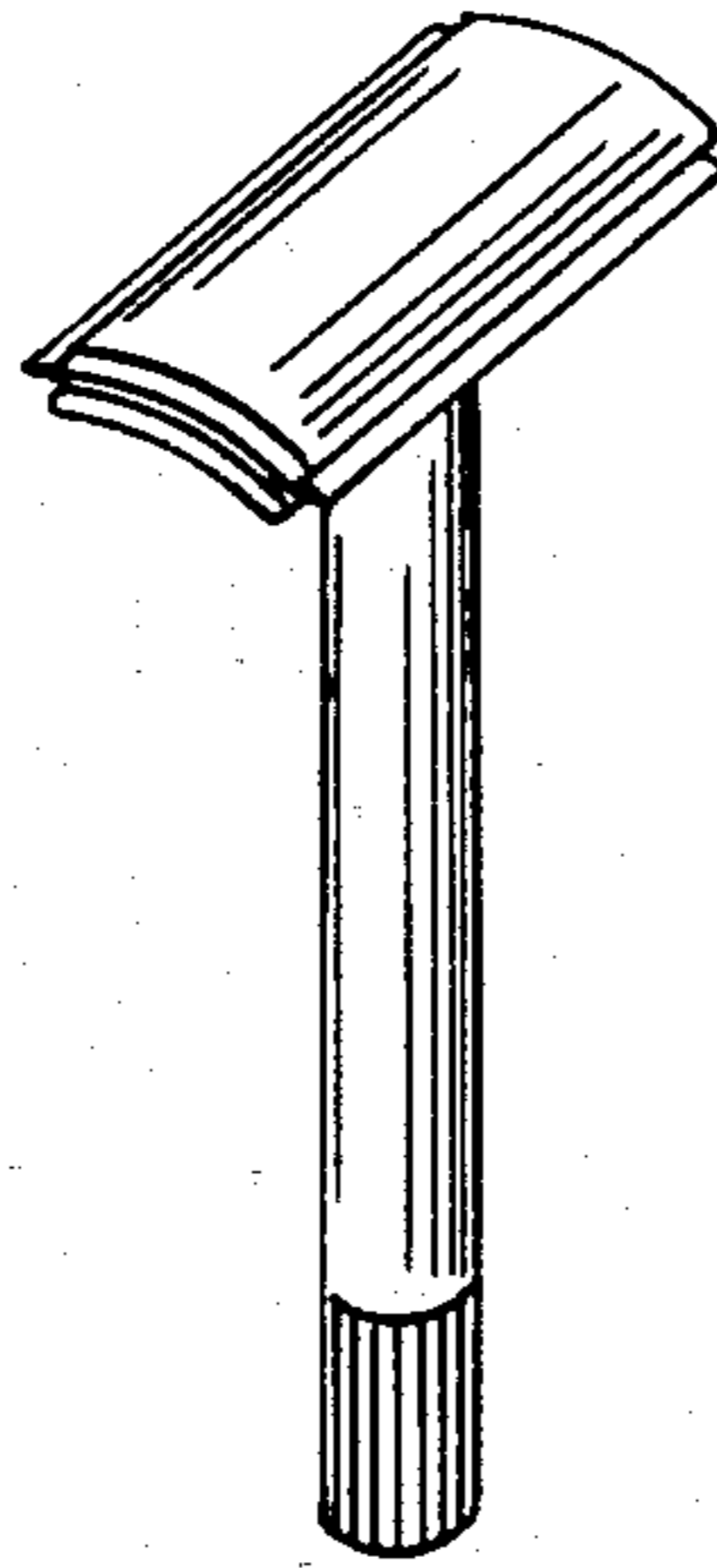


FIG. 3

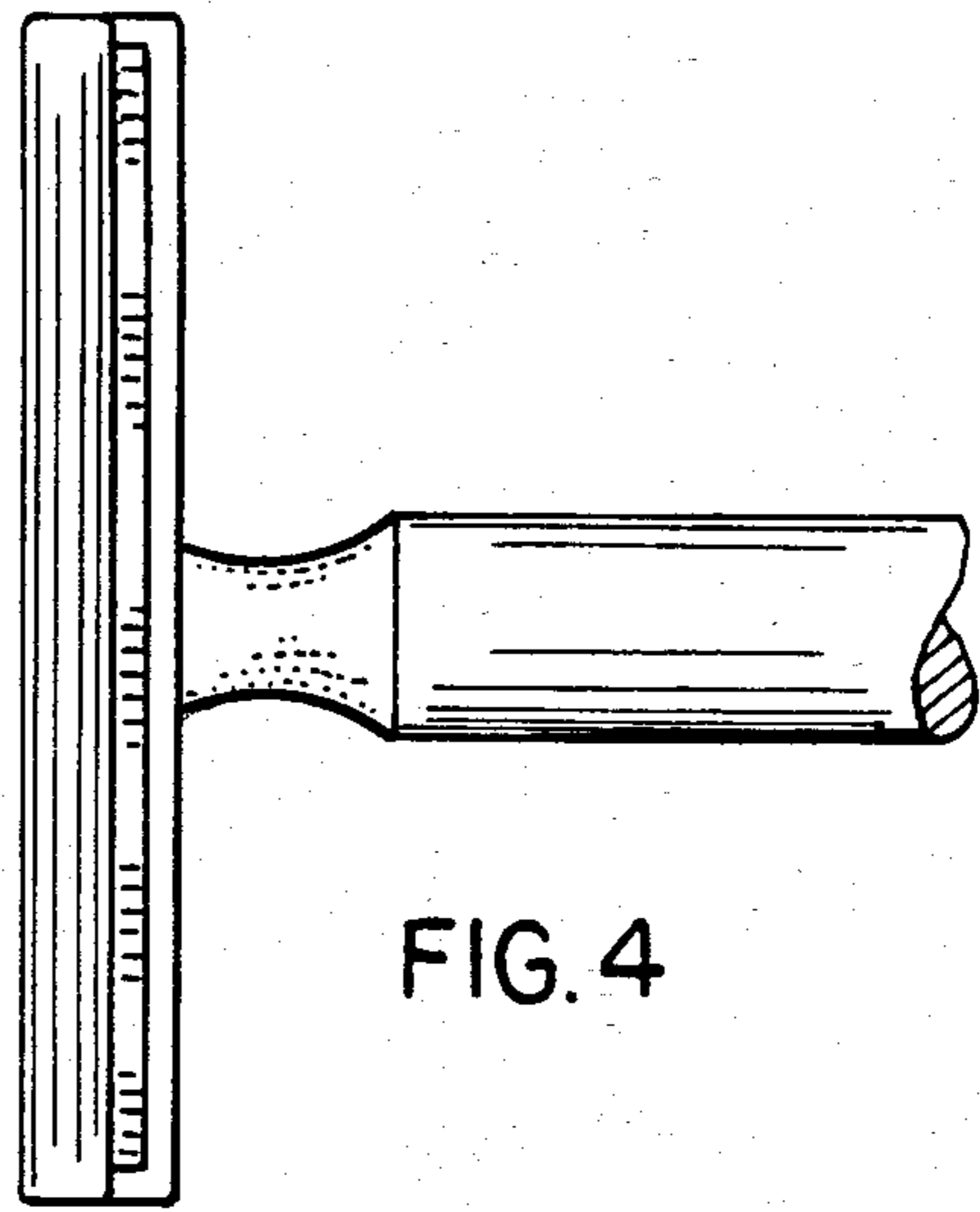


FIG. 4

FIG. 2

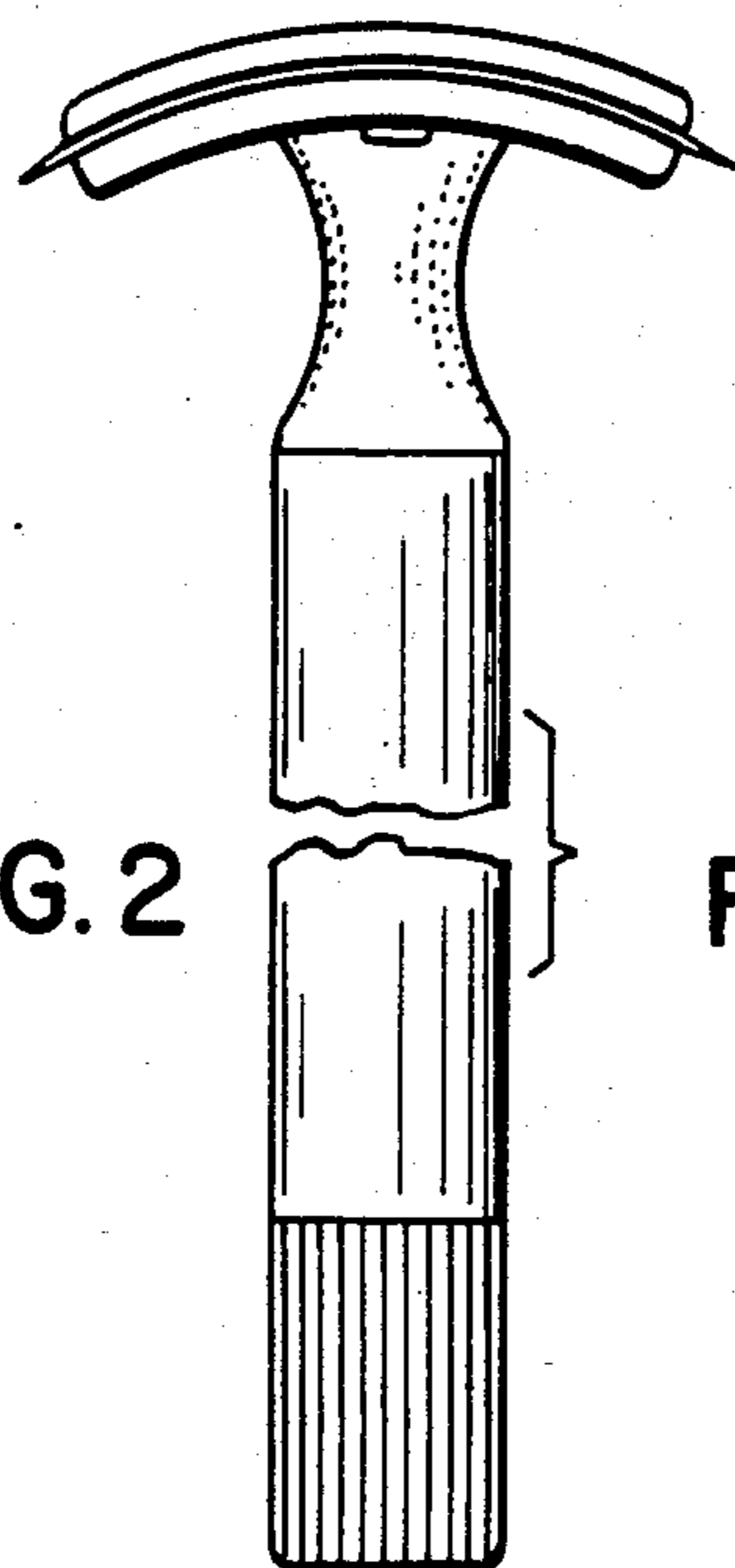
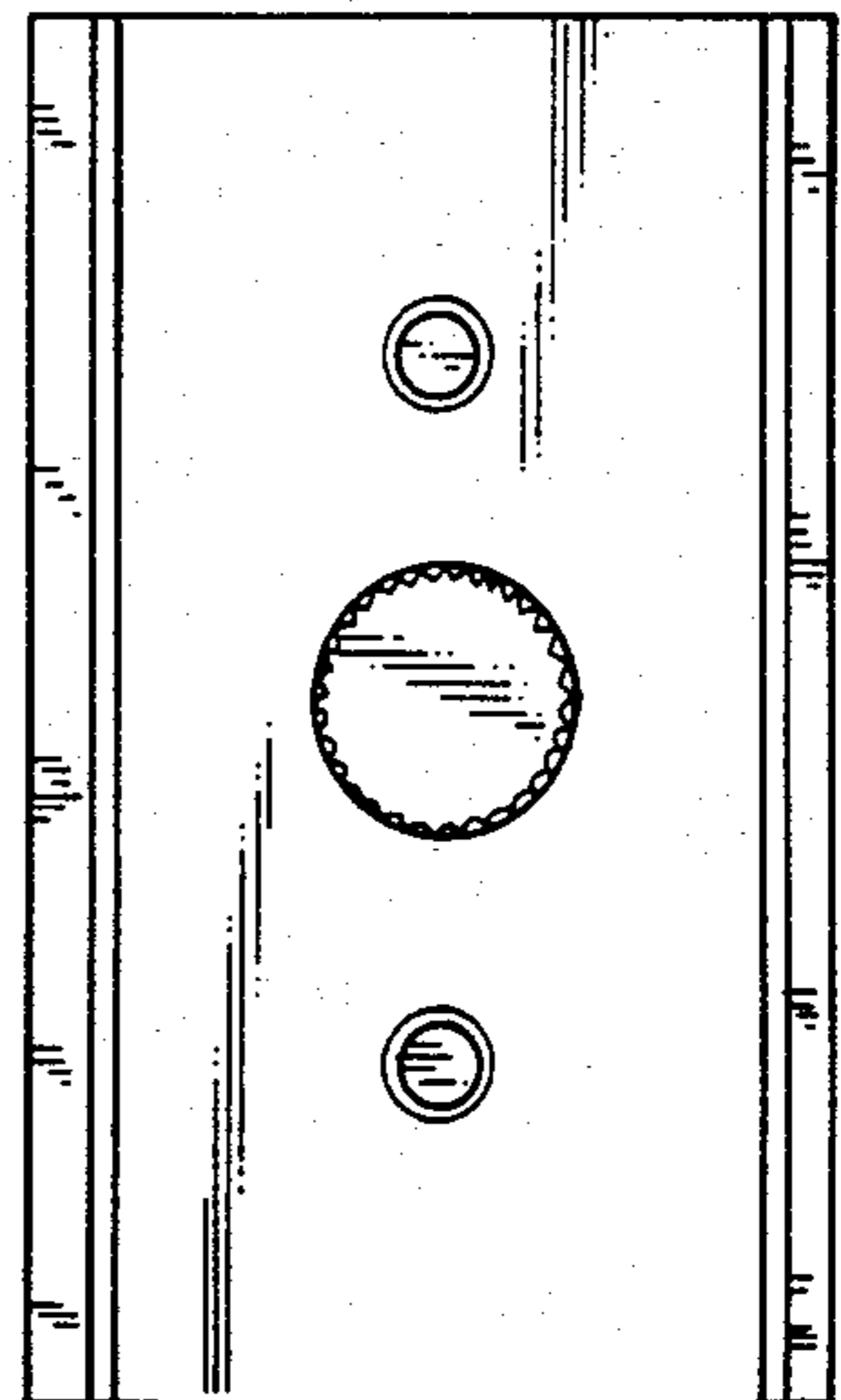


FIG. 5



UNITED STATES PATENT OFFICE
CERTIFICATE OF CORRECTION

Patent No. Des. 285,495 Dated September 2, 1986

Inventor(s) Walter Buddie

It is certified that error appears in the above-identified patent and that said Letters Patent are hereby corrected as shown below:

Title page:

The address of the inventor is 1390 Avalon, Eagan,
Minnesota 55121

**Signed and Sealed this
Fourth Day of November, 1986**

[SEAL]

Attest:

DONALD J. QUIGG

Attesting Officer

Commissioner of Patents and Trademarks