

[54] **PHARMACEUTICAL TABLET**

[75] **Inventor: Geoffrey D. Tovey, Harpenden, England**

[73] **Assignee: Smith Kline & French Laboratories Limited, Welwyn Garden City, England**

[**] **Term: 14 Years**

[21] **Appl. No.: 573,234**

[22] **Filed: Jan. 23, 1984**

[52] **U.S. Cl. D28/2; D28/8.1**

[58] **Field of Search D28/1-3, D28/8, 8.1, 8.2; D1/100, 127, 128, 129, 199, 121, 106, 112; 424/14, 15, 48; 426/97, 98; 252/92**

[56] **References Cited**

U.S. PATENT DOCUMENTS

D. 216,307 12/1969 Ninger D1/121
4,376,111 3/1983 Tovey D28/2
4,438,010 3/1984 Lindauer et al. 252/92

Primary Examiner—James M. Gandy

Assistant Examiner—Kay H. Chin

Attorney, Agent, or Firm—Joseph A. Marlino; Stuart R. Suter; Alan D. Lourie

[57] **CLAIM**

The ornamental design for a pharmaceutical tablet, as shown and described.

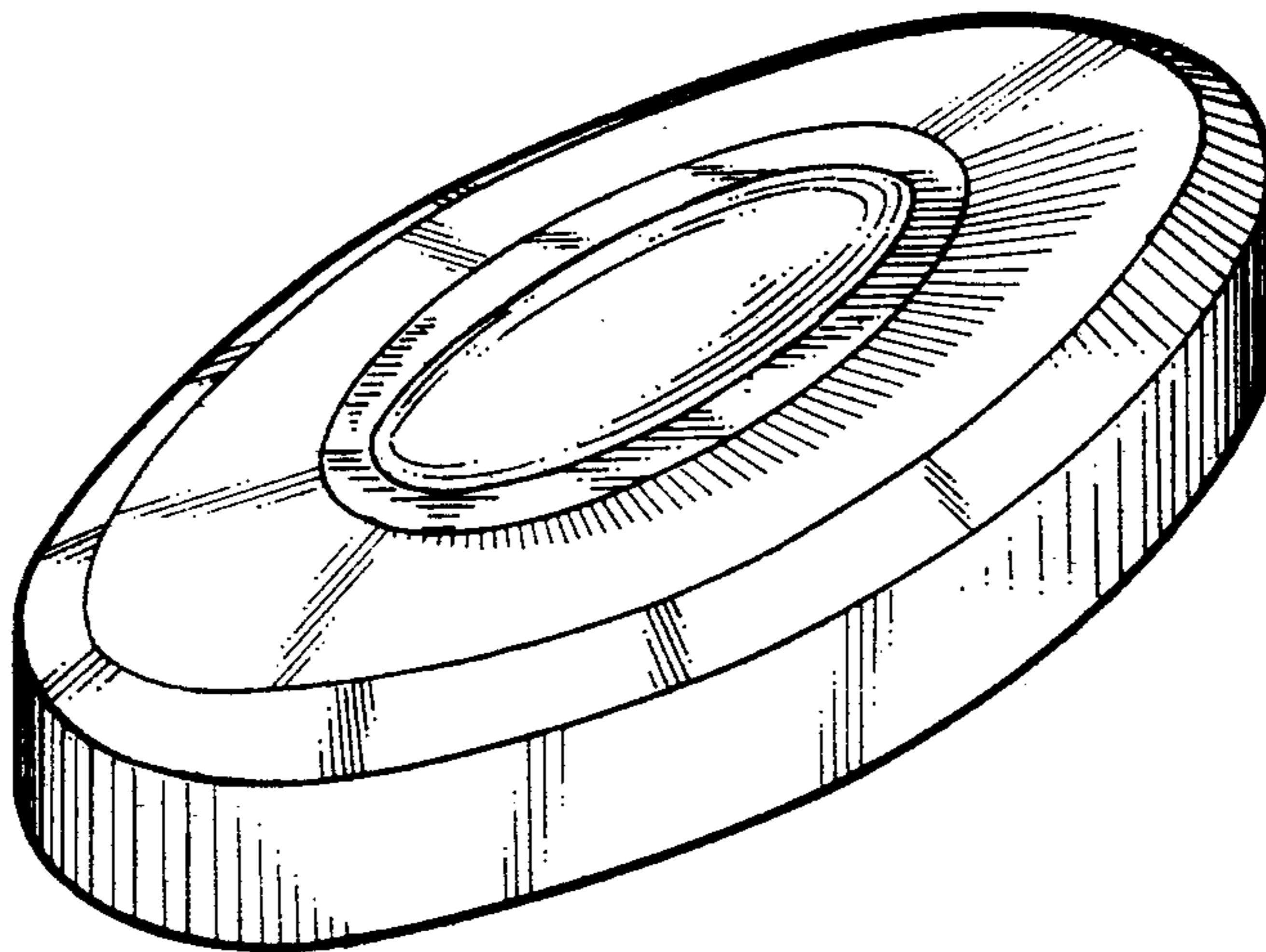
DESCRIPTION

FIG. 1 is a perspective view from above of a pharmaceutical tablet showing my design.

FIG. 2 is a top plan view thereof, the bottom view being a mirror image of that shown.

FIG. 3 is a side elevation view thereof, the opposite side being a mirror image of that shown.

FIG. 4 is an end elevation view thereof, the opposite end being a mirror image of that shown.



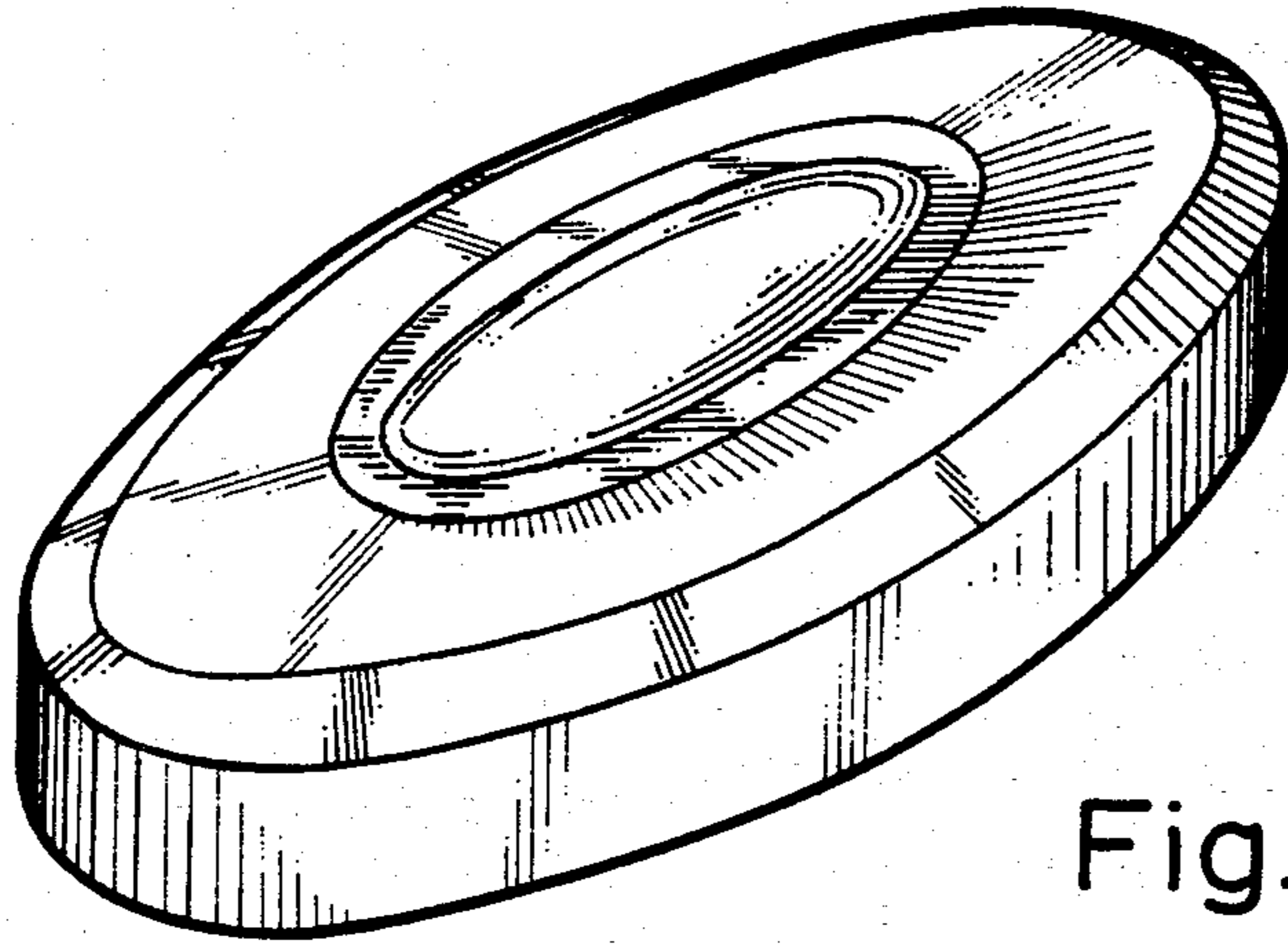


Fig.1

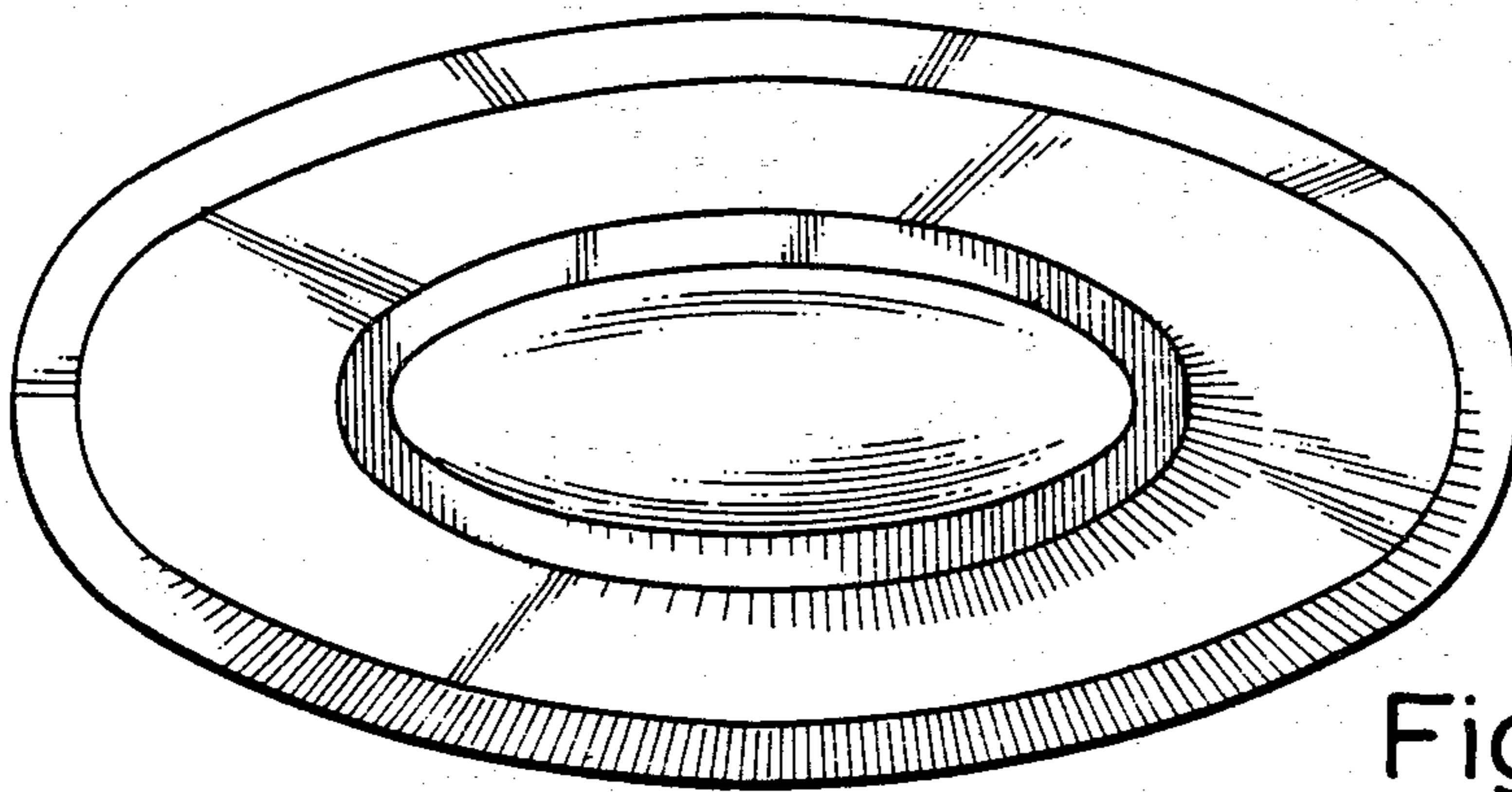


Fig.2

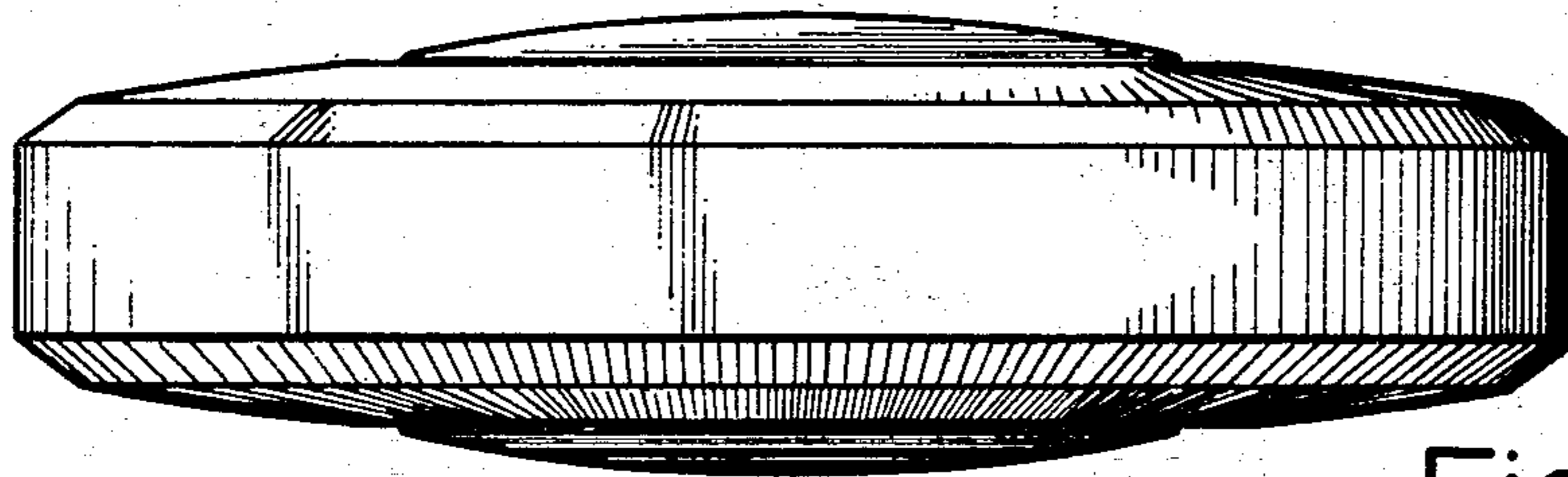


Fig.3

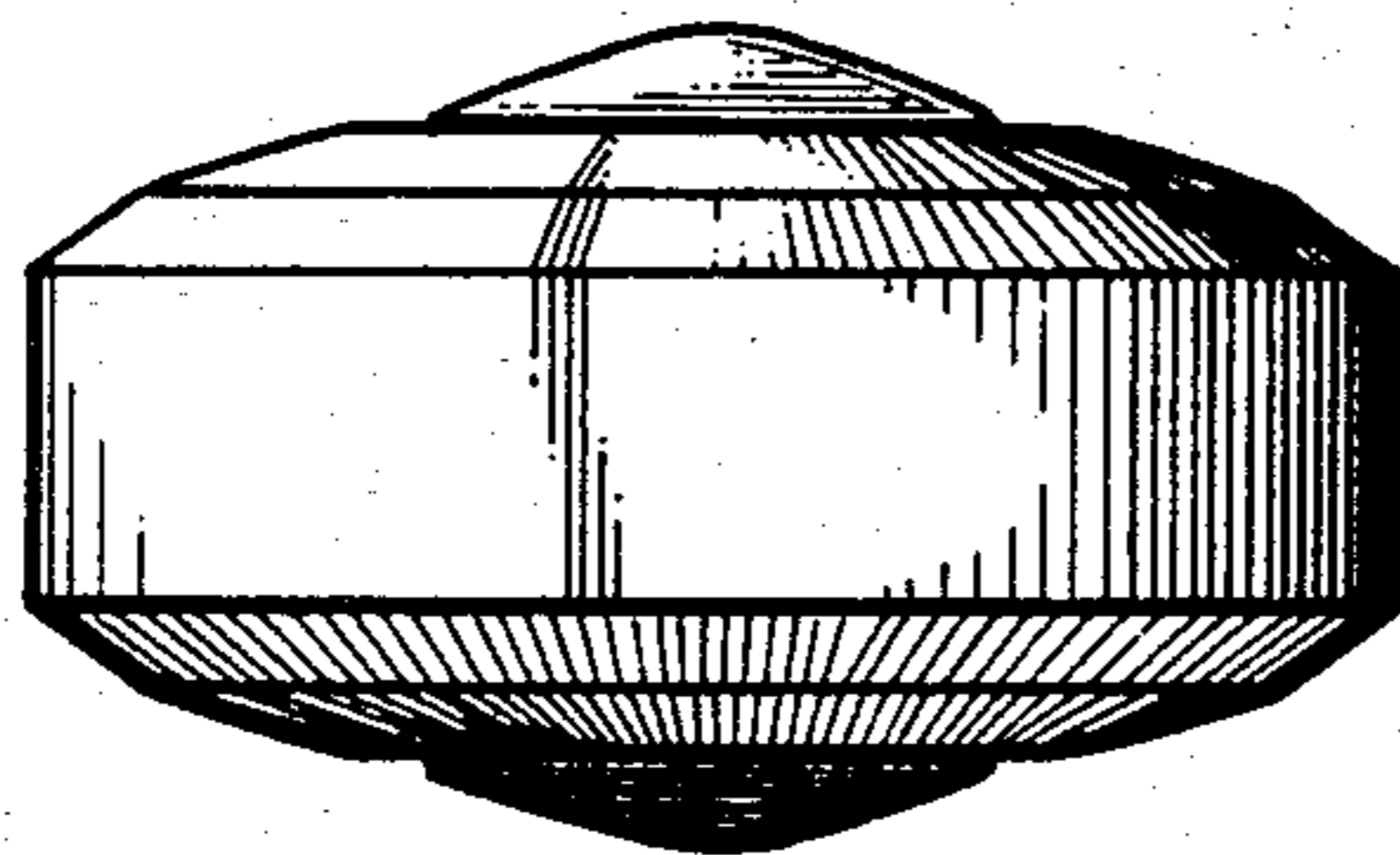


Fig.4